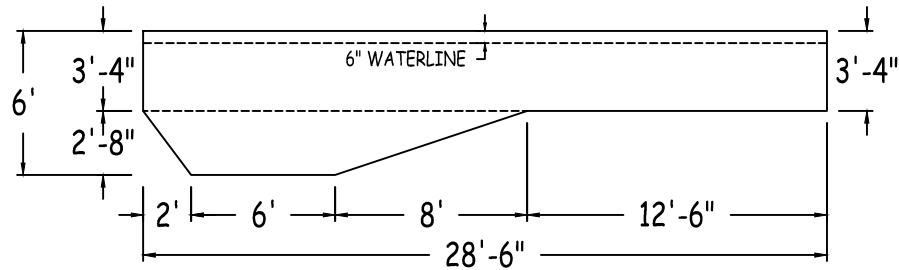
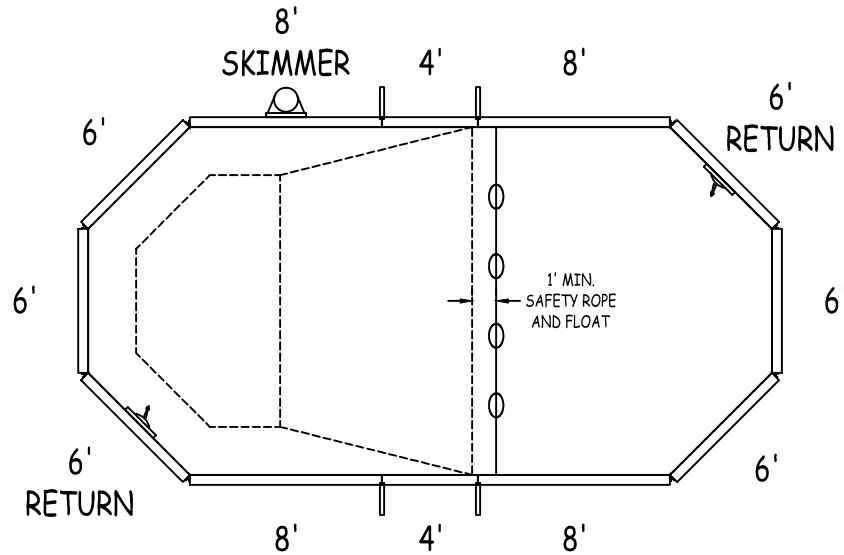
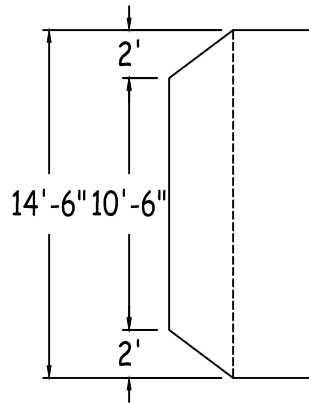


IN ACCORDANCE WITH ANSI/APSP/ICC-5 2011, THE INSTALLER IS RESPONSIBLE FOR PLACING ONE SKIMMER FOR EVERY 800 SQUARE FEET OF SURFACE AREA AND ONE RETURN FOR EVERY 300 SQUARE FEET OF SURFACE AREA.



UNIVERSAL STEEL

GRECIAN 14-6 x 28-6



NON-DIVING POOL

USE OF DIVING EQUIPMENT IS PROHIBITED

CUSTOMER: POOL SUPPLIES CANADA

JOB NAME:

TIFF#:

42" STEEL PANELS

PERIMETER: 76'0" VOLUME (US Gal): 10500

DWG#: 2013-SPL-06366

SURFACE (ft²): 377 VOLUME (Liters): 39700

LINER (ft²): 412

DATE: 4/8/2013 DSR: 69

KIT#: CUSTOMKIT

COVER (ft²): 502 SCALE: 1/8" = 1'-0"

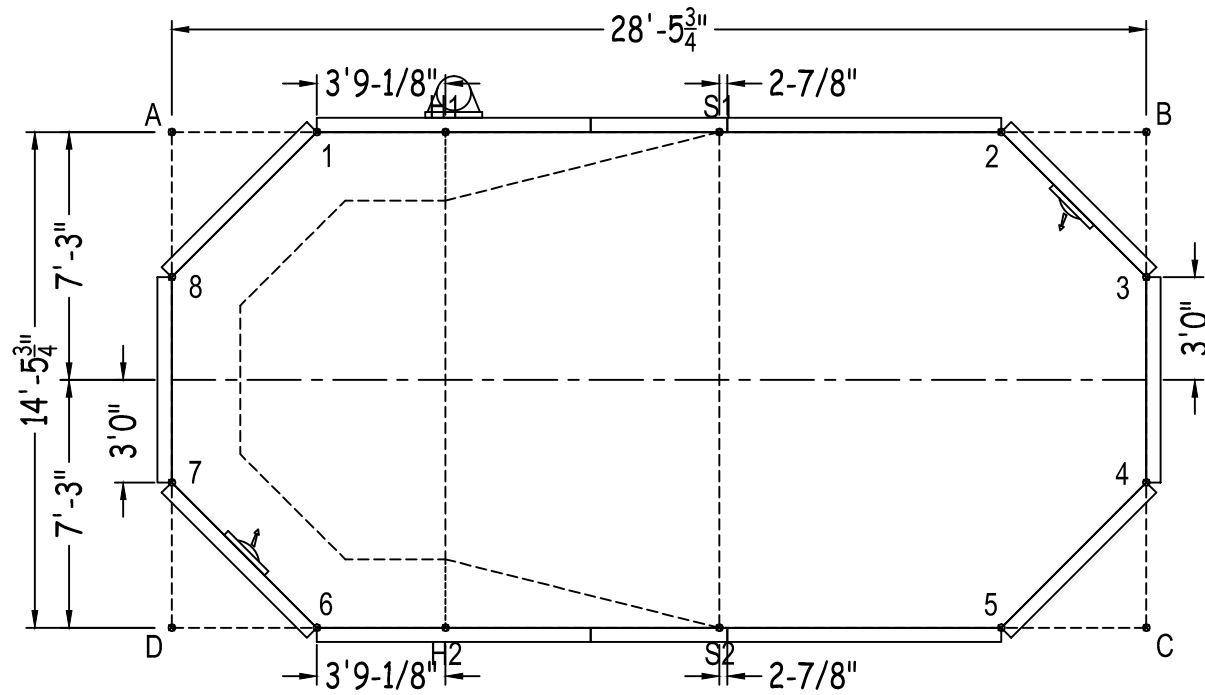
MEETS DEPTH AND SHAPE MINIMUM STANDARD ANSI/APSP/ICC-5 2011



Diagonals			
1 To 2	20'0"	3 To 5	11'-1"
1 To 3	24'-7 1/4"	3 To 6	26'-3 3/4"
1 To 4	26'-3 3/4"	3 To 7	29'-1 1/4"
1 To 5	24'-8 1/4"	3 To 8	28'-5 3/4"
1 To 6	14'-5 3/4"	4 To 5	6'0"
1 To 7	11'-1"	4 To 6	24'-7 1/4"
1 To 8	6'0"	4 To 7	28'-5 3/4"
2 To 3	6'0"	4 To 8	29'-1 1/4"
2 To 4	11'-1"	5 To 6	20'0"
2 To 5	14'-5 3/4"	5 To 7	24'-7 1/4"
2 To 6	14'-5 3/4"	5 To 8	26'-3 3/4"
2 To 7	24'-8 1/4"	6 To 7	6'0"
2 To 8	26'-3 3/4"	6 To 8	11'-1"
3 To 4	6'0"	7 To 8	6'0"

		Base
Part number	Description	QTY
ST0960002X	8'	3
ST0960002*	8' SKIMMER	1
ST0720001X	6'	4
ST0720001*	6' RETURN	2
ST0480001X	4'	2
Brace**	Brace	4
IPC-AB45	CONNECTOR CNR ANGLE 45D 42"	8
IPC-STKPK25	REBAR STAKE 18" 25PC	1
IPC-HDWSTR150	BOLT STR 3/8-16X1" C/W NUT 150PC	1
IPC-HDW-PK45	BOLT 45DEG 3/8-16X1-1/2" 72PC	1

** RECOMMENDED BRACE: Generic (XXX-XXX)



	A	B	C	D
1	4'-3"	24'-3"	28'-3"	15'-1 1/4"
2	24'-3"	4'-3"	15'-1 1/4"	28'-3"
3	28'-9 1/2"	4'-3"	10'-3"	30'-3 1/4"
4	30'-3 1/4"	10'-3"	4'-3"	28'-9 1/2"
5	28'-3"	15'-1 1/4"	4'-3"	24'-3"
6	15'-1 1/4"	28'-3"	24'-3"	4'-3"
7	10'-3"	30'-3 1/4"	28'-9 1/2"	4'-3"
8	4'-3"	28'-9 1/2"	30'-3 1/4"	10'-3"
S2	21'-7"	19'-1 1/2"	12'-5 3/4"	16'0"
S1	16'0"	12'-5 3/4"	19'-1 1/2"	21'-7"
H2	16'-6 1/2"	25'-1"	20'-5 3/4"	8'0"
H1	8'0"	20'-5 3/4"	25'-1"	16'-6 1/2"
A	-	28'-5 3/4"	31'-11 1/2"	14'-5 3/4"