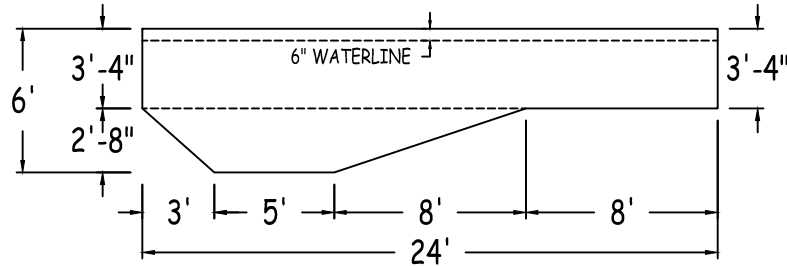
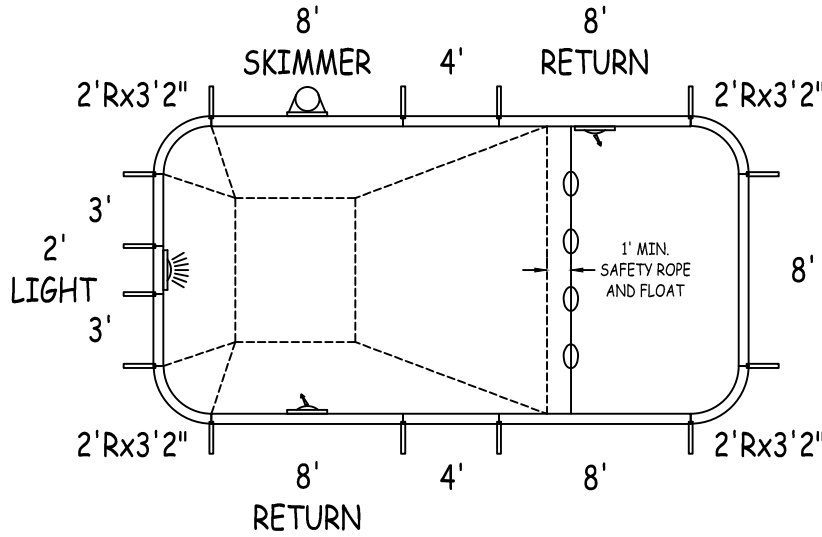
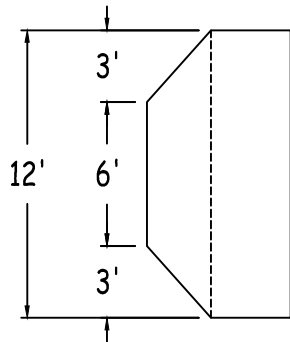


IN ACCORDANCE WITH ANSI/APSP/ICC-5 2011, THE INSTALLER IS RESPONSIBLE FOR PLACING ONE SKIMMER FOR EVERY 800 SQUARE FEET OF SURFACE AREA AND ONE RETURN FOR EVERY 300 SQUARE FEET OF SURFACE AREA.



UNIVERSAL STEEL

RECTANGLE-2FT RAD 12-0 X 24-0

42" STEEL PANELS

PERIMETER: 68'7" VOLUME (US Gal): 7900

DWG#: USRE24S1224-13L

SURFACE (ft²): 285 VOLUME (Liters): 29900

LINER (ft²): 288

DATE: 1/1/2013 DSR: 76

KIT#: RE24S1224

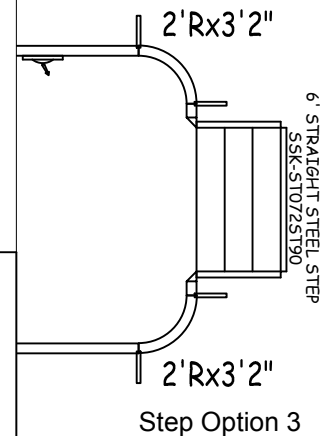
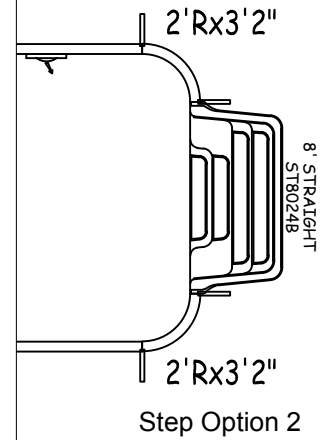
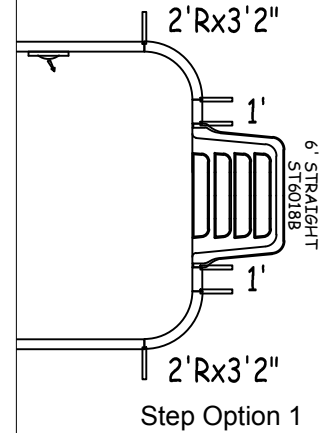
COVER (ft²): 364 SCALE: 1/8" = 1'-0"



NON-DIVING POOL

USE OF DIVING EQUIPMENT IS PROHIBITED

MEETS DEPTH AND SHAPE MINIMUM STANDARD ANSI/APSP/ICC-5 2011



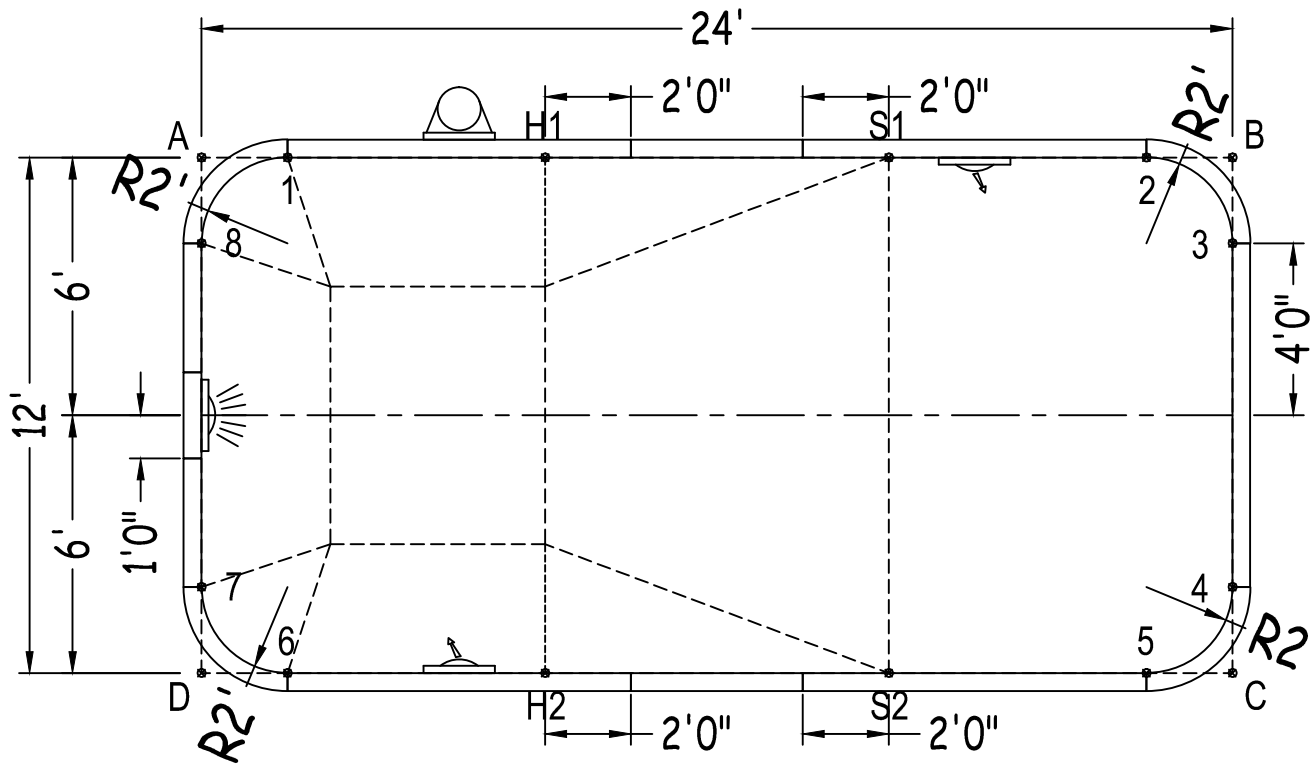
RECTANGLE-2FT RAD

SHEET: 1 OF 3

Diagonals			
1 To 2	20'0"	3 To 5	10'-2 1/2"
1 To 3	22'-1"	3 To 6	24'-2"
1 To 4	24'-2"	3 To 7	25'-3 1/2"
1 To 5	23'-4"	3 To 8	24'0"
1 To 6	12'0"	4 To 5	2'-10"
1 To 7	10'-2 1/2"	4 To 6	22'-1"
1 To 8	2'-10"	4 To 7	24'0"
2 To 3	2'-10"	4 To 8	25'-3 1/2"
2 To 4	10'-2 1/2"	5 To 6	20'0"
2 To 5	12'0"	5 To 7	22'-1"
2 To 6	23'-4"	5 To 8	24'-2"
2 To 7	24'-2"	6 To 7	2'-10"
2 To 8	22'-1"	6 To 8	10'-2 1/2"
3 To 4	8'0"	7 To 8	8'0"

Part number	Description	Base	Option 1	Option 2	Option 3
		QTY	QTY	QTY	QTY
ST0960002X	8'	2	1	1	1
ST0960002*	8' SKIMMER	1	1	1	1
ST0960002*	8' RETURN	2	2	2	2
ST0480001X	4'	2	2	2	2
ST0360000X	3'	2	2	2	2
ST0240000*	2' LIGHT	1	1	1	1
ST0120000X	1'	-	2	-	-
CN0380241X	2'Rx3'2"	4	4	4	4
SSC-TRST1207	12" Straight Transition	-	-	-	-
Brace**	Brace	14	16	14	14
IPC-STKPK25	REBAR STAKE 18" 25PC	2	2	2	2
IPC-HDWSTRT150	BOLT STR 3/8-16X1" C/W NUT 150PC	2	2	2	2
ST6018B	THKSHT STEP STR 6'	-	1	-	-
ST8024B	THKSHT STEP STR SIT N STEP 8'	-	-	1	-
SSK-ST072ST90	STEEL STEP STR-90D 3 TRD 6'	-	-	-	-

** RECOMMENDED BRACE: Generic (XXX-XXX)



	A	B	C	D
1	2'0"	22'0"	25'- 3/4"	12'-2"
2	22'0"	2'0"	12'-2"	25'- 3/4"
3	24'-1"	2'0"	10'0"	26'0"
4	26'0"	10'0"	2'0"	24'-1"
5	25'- 3/4"	12'-2"	2'0"	22'0"
6	12'-2"	25'- 3/4"	22'0"	2'0"
7	10'0"	26'0"	24'-1"	2'0"
8	2'0"	24'-1"	26'0"	10'0"
S2	20'0"	14'-5"	8'0"	16'0"
S1	16'0"	8'0"	14'-5"	20'0"
H2	14'-5"	20'0"	16'0"	8'0"
H1	8'0"	16'0"	20'0"	14'-5"
A	-	24'0"	26'-10"	12'0"

QTY	PART #	DESCRIPTION
6	ST096000-1	8'-0" STRAIGHT
2	ST048000-1	4'-0" STRAIGHT
4	CN038024-1	3' 2" X 2' 0" RADIUS 90° CORNER
16	CLIP-1	COPING CLIP
1	COP-TSPK100	SCREW, TEK (100/BAG)
NOTE: SOME COPING PIECES MAY NEED TO BE TRIMMED TO LENGTH AS INDICATED		

