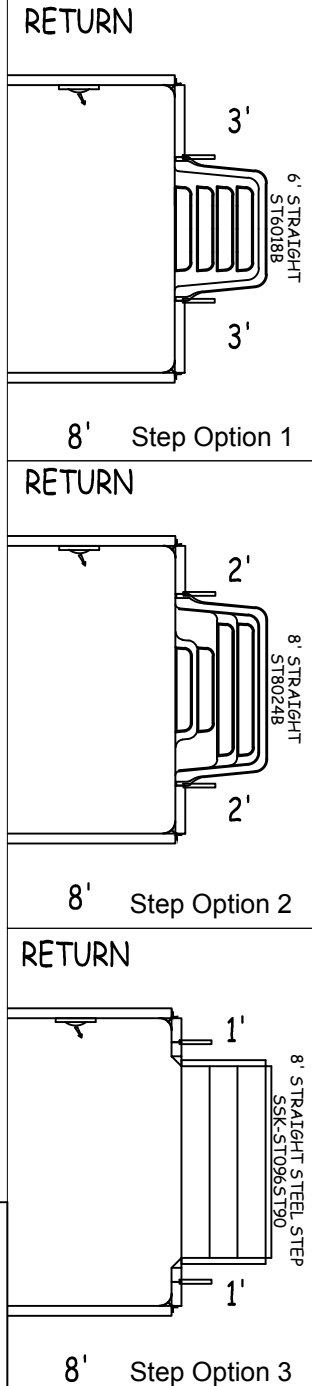
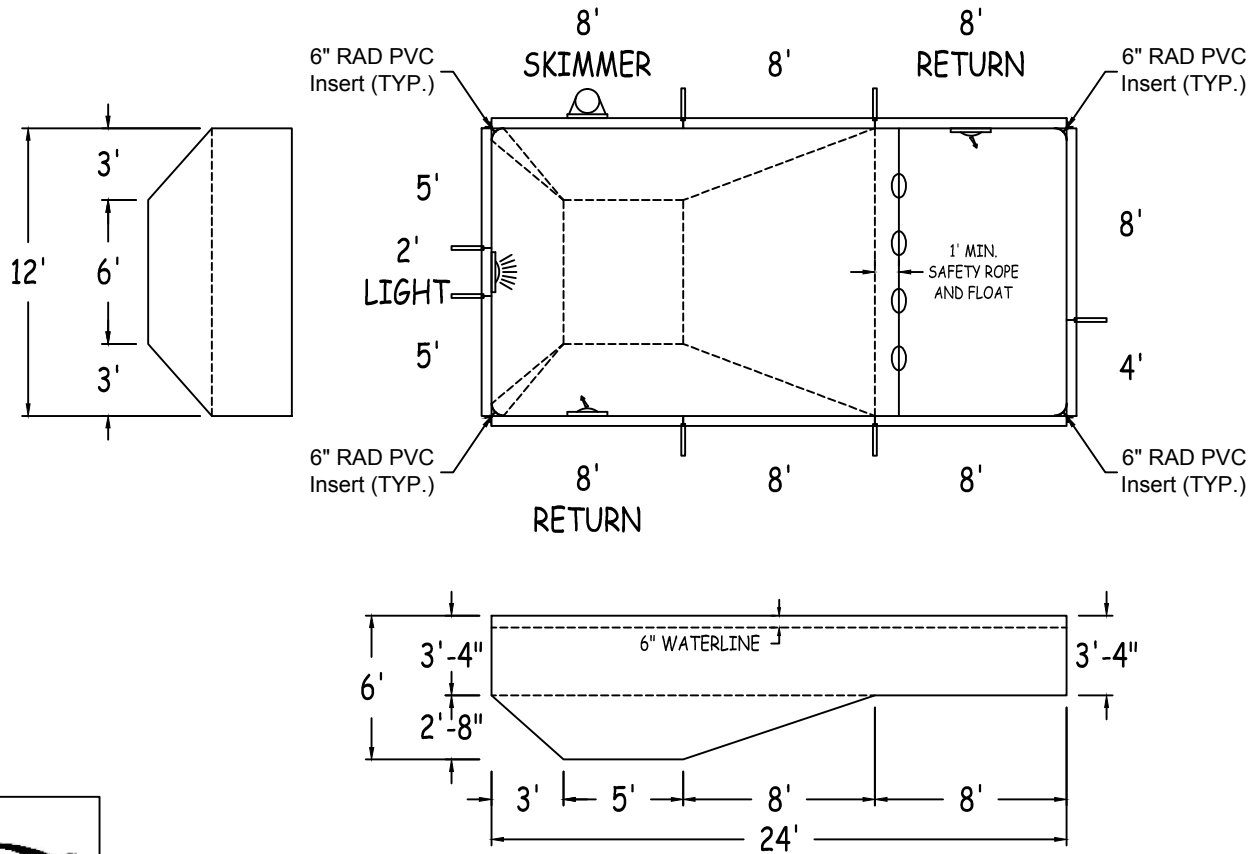


IN ACCORDANCE WITH ANSI/APSP/ICC-5 2011, THE INSTALLER IS RESPONSIBLE FOR PLACING ONE SKIMMER FOR EVERY 800 SQUARE FEET OF SURFACE AREA AND ONE RETURN FOR EVERY 300 SQUARE FEET OF SURFACE AREA.



<b>UNIVERSAL STEEL</b>	<b>RECTANGLE-6IN RAD 12-0 X 24-0</b>			
42" STEEL PANELS	PERIMETER:	72'0"	VOLUME (US Gal):	8000
DWG#:	SURFACE (ft²):	288	VOLUME (Liters):	30300
<b>USRE06S1224-13L</b>	LINER (ft²):	288	DATE:	1/1/2013
KIT#:	COVER (ft²):	364	DSR:	76
RE06S1224			SCALE:	1/8" = 1'-0"

ALWAYS  
ENTER POOL

**NON-DIVING POOL**

USE OF DIVING EQUIPMENT  
IS PROHIBITED

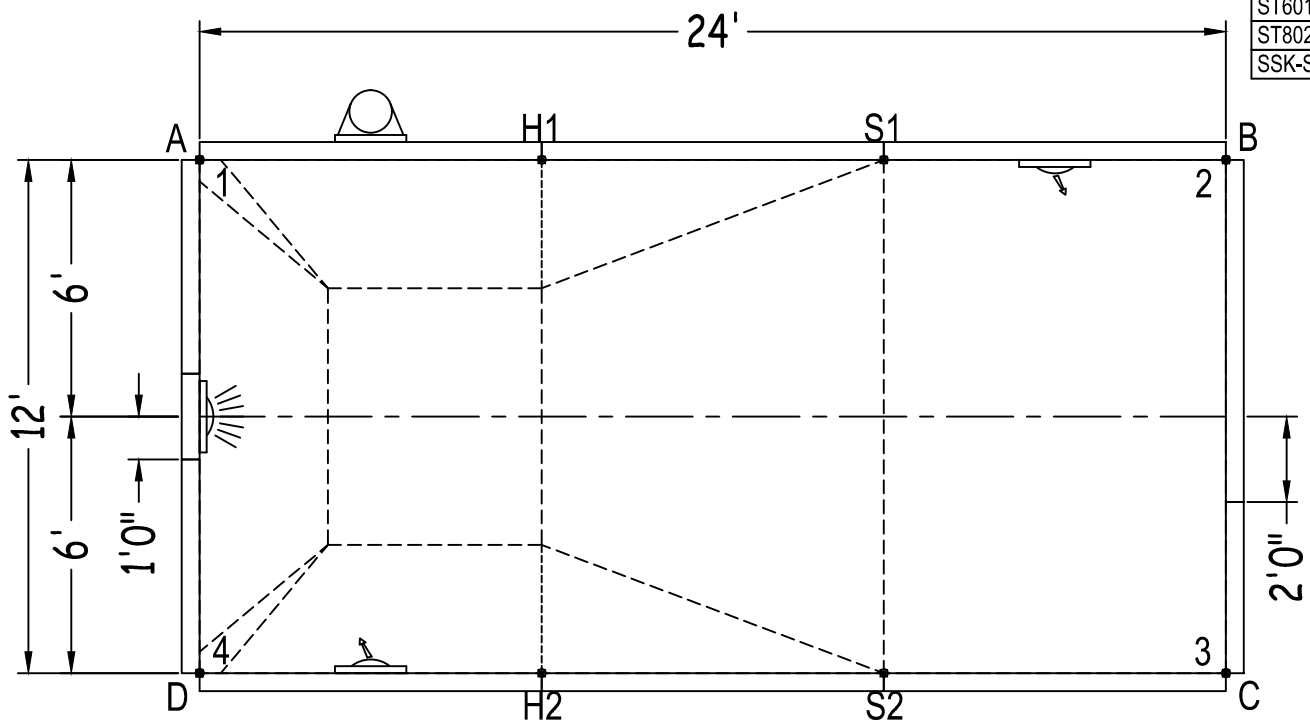
MEETS DEPTH AND SHAPE MINIMUM  
STANDARD ANSI/APSP/ICC-5 2011

**RECTANGLE-6IN RAD**

Diagonals	
1 To 2	24'0"
1 To 3	26'-10"
1 To 4	12'0"
2 To 3	12'0"
2 To 4	26'-10"
3 To 4	24'0"

Part number	Description	Base	Option 1	Option 2	Option 3
		QTY	QTY	QTY	QTY
ST0960002X	8'	4	3	3	3
ST0960002*	8' SKIMMER	1	1	1	1
ST0960002*	8' RETURN	2	2	2	2
ST0600001X	5'	2	2	2	2
ST0480001X	4'	1	-	-	-
ST0360000X	3'	-	2	-	-
ST0240000*	2' LIGHT	1	1	1	1
ST0240000X	2'	-	-	2	-
ST0120000X	1'	-	-	-	2
SSC-TRST1207	12" Straight Transition	-	-	-	2
Brace**	Brace	7	8	8	8
IPC-AB90	CONNECTOR CNR ANGLE 90D 42"	4	4	4	4
IPC-AB90-INS6R	CORNER INSERT 6" RAD PVC 42"	4	4	4	4
IPC-STKPK25	REBAR STAKE 18" 25PC	1	1	1	1
IPC-HDWSTRT150	BOLT STR 3/8-16X1" C/W NUT 150PC	1	1	1	1
ST6018B	THKSH T STEP STR 6'	-	1	-	-
ST8024B	THKSH T STEP STR SIT N STEP 8'	-	-	1	-
SSK-ST096ST90	STEEL STEP STR-90D 3 TRD 8'	-	-	-	1

\*\* RECOMMENDED BRACE: Generic (XXX-XXX)



	A	B	C	D
1	0"	24'0"	26'-10"	12'0"
2	24'0"	0"	12'0"	26'-10"
3	26'-10"	12'0"	0"	24'0"
4	12'0"	26'-10"	24'0"	0"
S2	20'0"	14'-5"	8'0"	16'0"
S1	16'0"	8'0"	14'-5"	20'0"
H2	14'-5"	20'0"	16'0"	8'0"
H1	8'0"	16'0"	20'0"	14'-5"
A	-	24'0"	26'-10"	12'0"

QTY	PART #	DESCRIPTION
4	CN000006-1	6" RADIUS CORNER PIECE
6	ST096000-1	8'-0" STRAIGHT
2	ST048000-1	4'-0" STRAIGHT
16	CLIP-1	COPING CLIP
1	COP-TSPK100	SCREW, TEK (100/BAG)
NOTE: SOME COPING PIECES MAY NEED TO BE TRIMMED TO LENGTH AS INDICATED		

