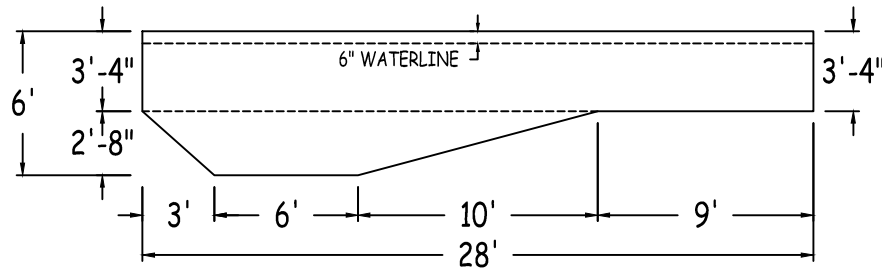
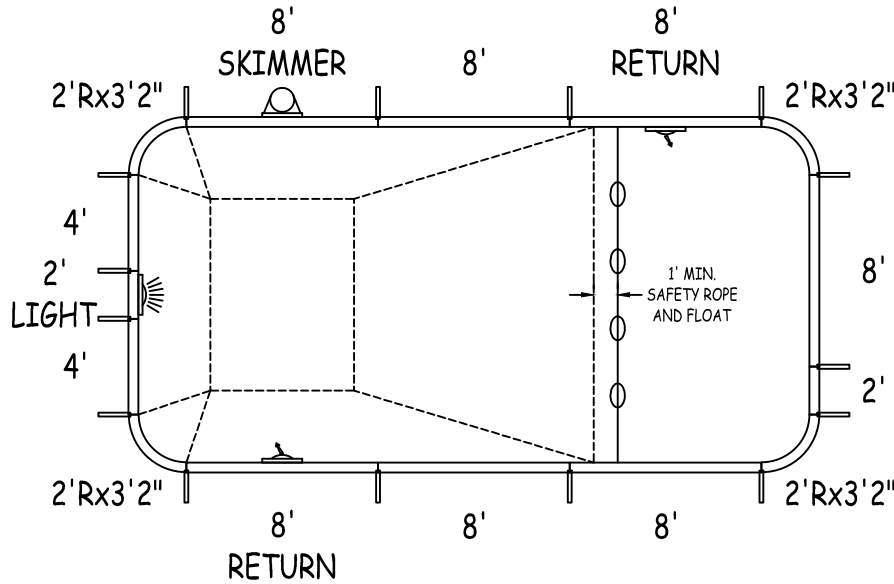
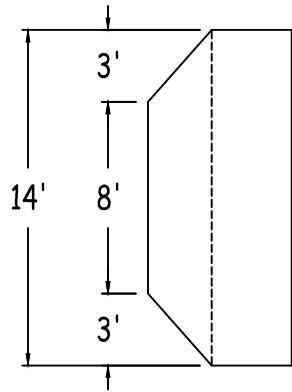


IN ACCORDANCE WITH ANSI/APSP/ICC-5 2011, THE INSTALLER IS RESPONSIBLE FOR PLACING ONE SKIMMER FOR EVERY 800 SQUARE FEET OF SURFACE AREA AND ONE RETURN FOR EVERY 300 SQUARE FEET OF SURFACE AREA.



UNIVERSAL STEEL

RECTANGLE-2FT RAD 14-0 X 28-0

42" STEEL PANELS

PERIMETER: 80'7" VOLUME (US Gal): 10800

DWG#: USRE24S1428-13L

SURFACE (ft²): 389 VOLUME (Liters): 40900

LINER (ft²): 392

DATE: 1/1/2013 DSR: 130

KIT#: RE24S1428

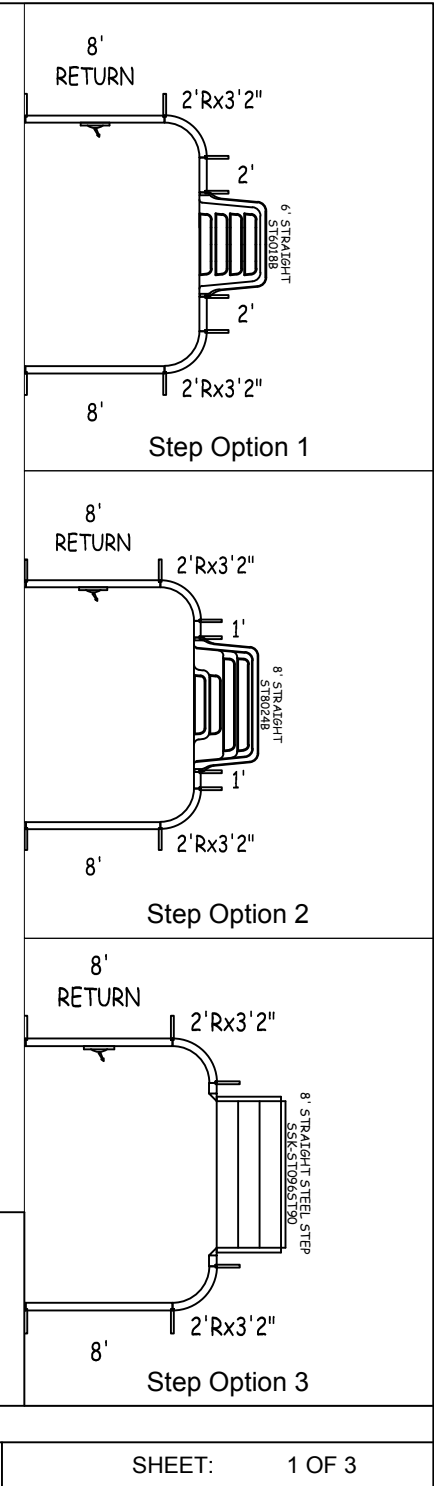
COVER (ft²): 480 SCALE: 1/8" = 1'-0"



NON-DIVING POOL

USE OF DIVING EQUIPMENT IS PROHIBITED

MEETS DEPTH AND SHAPE MINIMUM STANDARD ANSI/APSP/ICC-5 2011

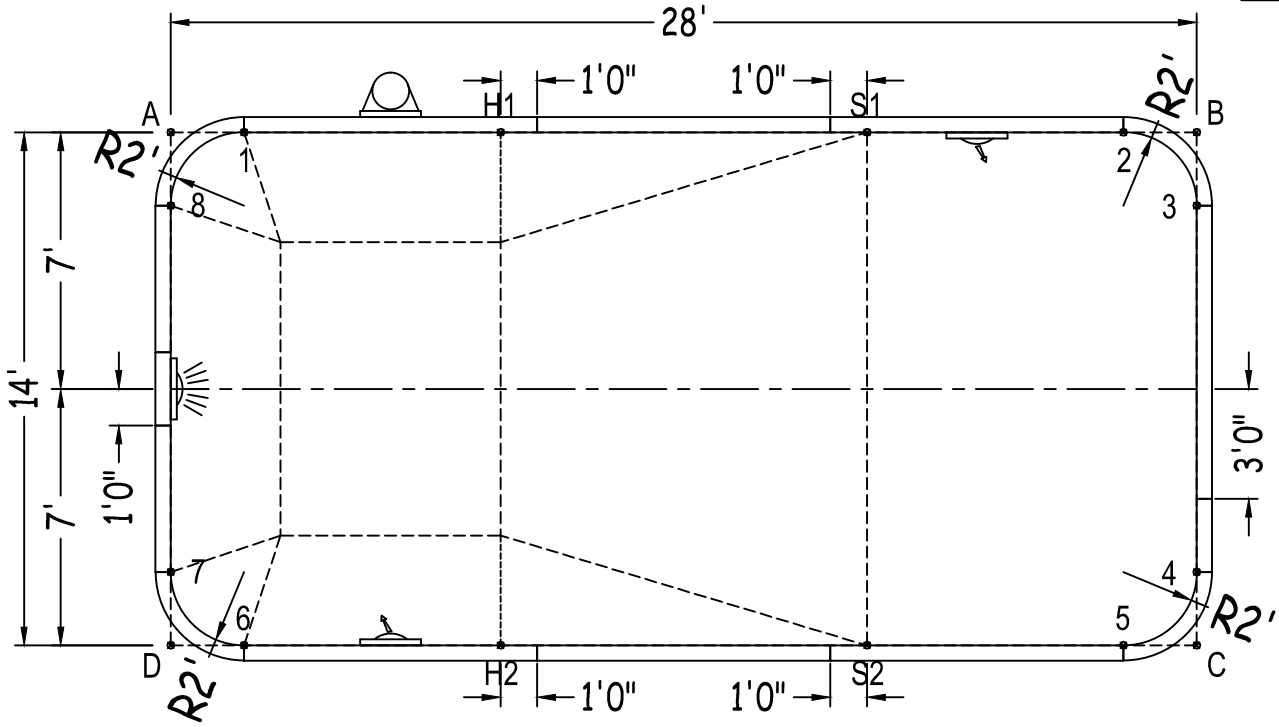


RECTANGLE-2FT RAD

Diagonals	3 To 5	12'-2"	
1 To 2	24'0"	3 To 6	28'-7 3/4"
1 To 3	26'-1"	3 To 7	29'-8 3/4"
1 To 4	28'-7 3/4"	3 To 8	28'0"
1 To 5	27'-9 1/2"	4 To 5	2'-10"
1 To 6	14'0"	4 To 6	26'-1"
1 To 7	12'-2"	4 To 7	28'0"
1 To 8	2'-10"	4 To 8	29'-8 3/4"
2 To 3	2'-10"	5 To 6	24'0"
2 To 4	12'-2"	5 To 7	26'-1"
2 To 5	14'0"	5 To 8	28'-7 3/4"
2 To 6	27'-9 1/2"	6 To 7	2'-10"
2 To 7	28'-7 3/4"	6 To 8	12'-2"
2 To 8	26'-1"	7 To 8	10'0"
3 To 4	10'0"		

Part number	Description	Base	Option 1	Option 2	Option 3
		QTY	QTY	QTY	QTY
ST0960002X	8'	4	3	3	3
ST0960002*	8' SKIMMER	1	1	1	1
ST0960002*	8' RETURN	2	2	2	2
ST0480001X	4'	2	2	2	2
ST0240000X	2'	1	2	-	-
ST0240000*	2' LIGHT	1	1	1	1
ST0120000X	1'	-	-	2	-
CN0380241X	2'Rx3'2"	4	4	4	4
SSC-TRST1207	12" Straight Transition	-	-	-	2
Brace**	Brace	15	16	16	14
IPC-STKPK25	REBAR STAKE 18" 25PC	2	2	2	2
IPC-HDWSTRT150	BOLT STR 3/8-16X1" C/W NUT 150PC	2	2	2	2
ST6018B	THKSHT STEP STR 6'	-	1	-	-
ST8024B	THKSHT STEP STR SIT N STEP 8'	-	-	1	-
SSK-ST096ST90	STEEL STEP STR-90D 3 TRD 8'	-	-	-	1

** RECOMMENDED BRACE: Generic (XXX-XXX)



	A	B	C	D
1	2'0"	26'0"	29'-6 1/4"	14'-1 3/4"
2	26'0"	2'0"	14'-1 3/4"	29'-6 1/4"
3	28'-3/4"	2'0"	12'0"	30'-5 1/2"
4	30'-5 1/2"	12'0"	2'0"	28'-3/4"
5	29'-6 1/4"	14'-1 3/4"	2'0"	26'0"
6	14'-1 3/4"	29'-6 1/4"	26'0"	2'0"
7	12'0"	30'-5 1/2"	28'-3/4"	2'0"
8	2'0"	28'-3/4"	30'-5 1/2"	12'0"
S2	23'-7 1/4"	16'-7 3/4"	9'0"	19'0"
S1	19'0"	9'0"	16'-7 3/4"	23'-7 1/4"
H2	16'-7 3/4"	23'-7 1/4"	19'0"	9'0"
H1	9'0"	19'0"	23'-7 1/4"	16'-7 3/4"
A	-	28'0"	31'-3 3/4"	14'0"

QTY	PART #	DESCRIPTION
8	ST096000-1	8'-0" STRAIGHT
2	ST024000-1	2'-0" STRAIGHT
4	CN038024-1	3' 2" X 2' 0" RADIUS 90° CORNER
18	CLIP-1	COPING CLIP
1	COP-TSPK100	SCREW, TEK (100/BAG)
NOTE: SOME COPING PIECES MAY NEED TO BE TRIMMED TO LENGTH AS INDICATED		

