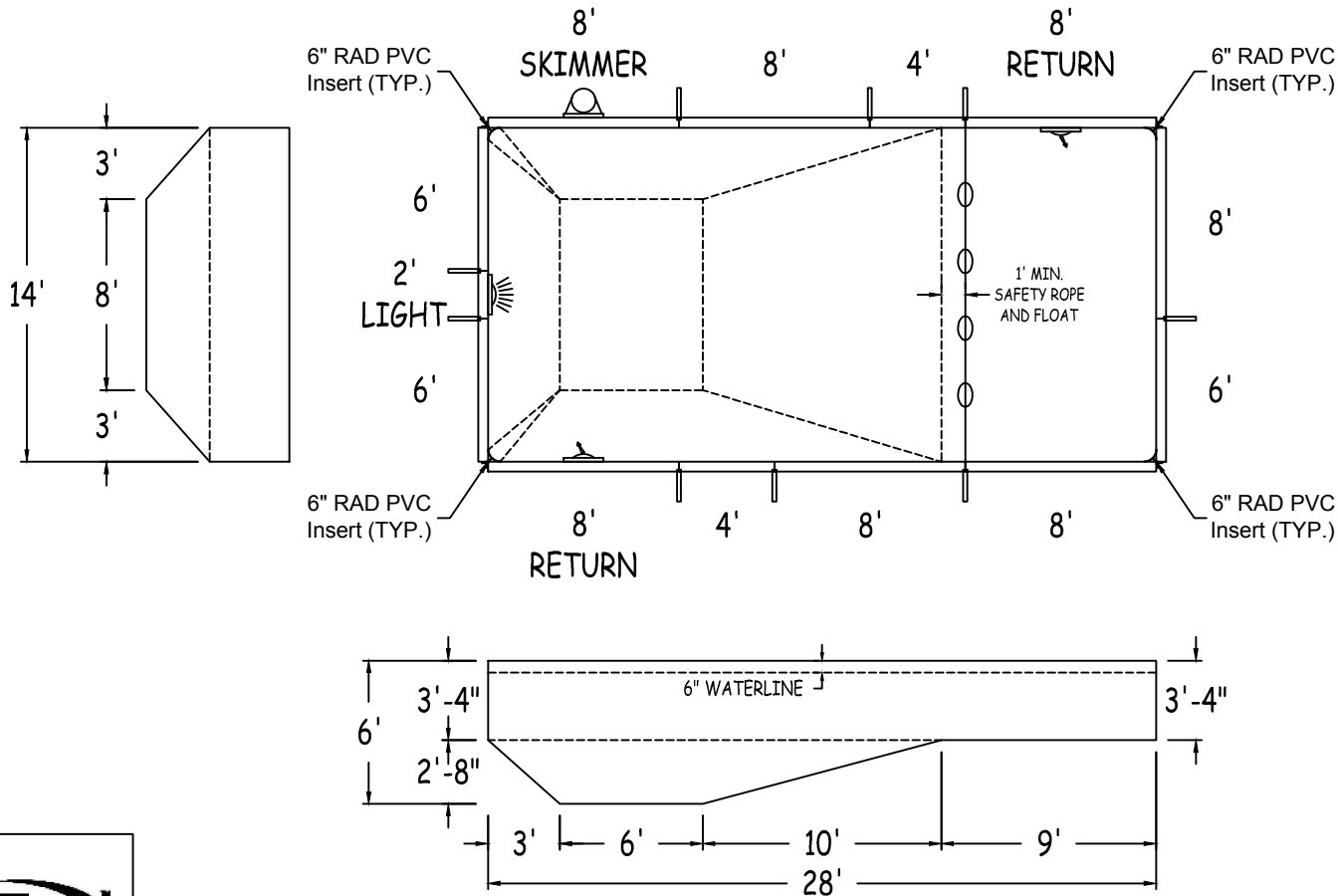


IN ACCORDANCE WITH ANSI/APSP/ICC-5 2011, THE INSTALLER IS RESPONSIBLE FOR PLACING ONE SKIMMER FOR EVERY 800 SQUARE FEET OF SURFACE AREA AND ONE RETURN FOR EVERY 300 SQUARE FEET OF SURFACE AREA.



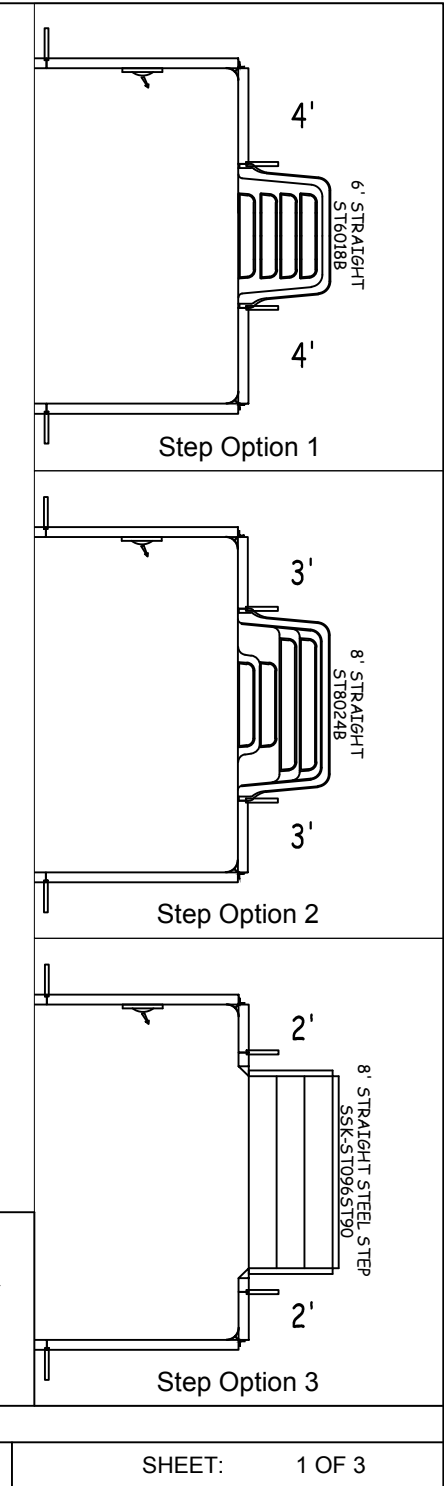
<b>UNIVERSAL STEEL</b>	<b>RECTANGLE-6IN RAD 14-0 X 28-0</b>			
42" STEEL PANELS	PERIMETER:	84'1"	VOLUME (US Gal):	10900
DWG#:	SURFACE (ft²):	392	VOLUME (Liters):	41200
<b>USRE06S1428-13L</b>	LINER (ft²):	392	DATE: 1/1/2013	DSR: 76
KIT#:	RE06S1428	COVER (ft²):	480	SCALE: 1/8" = 1'-0"

ALWAYS ENTER POOL

**NON-DIVING POOL**

USE OF DIVING EQUIPMENT IS PROHIBITED

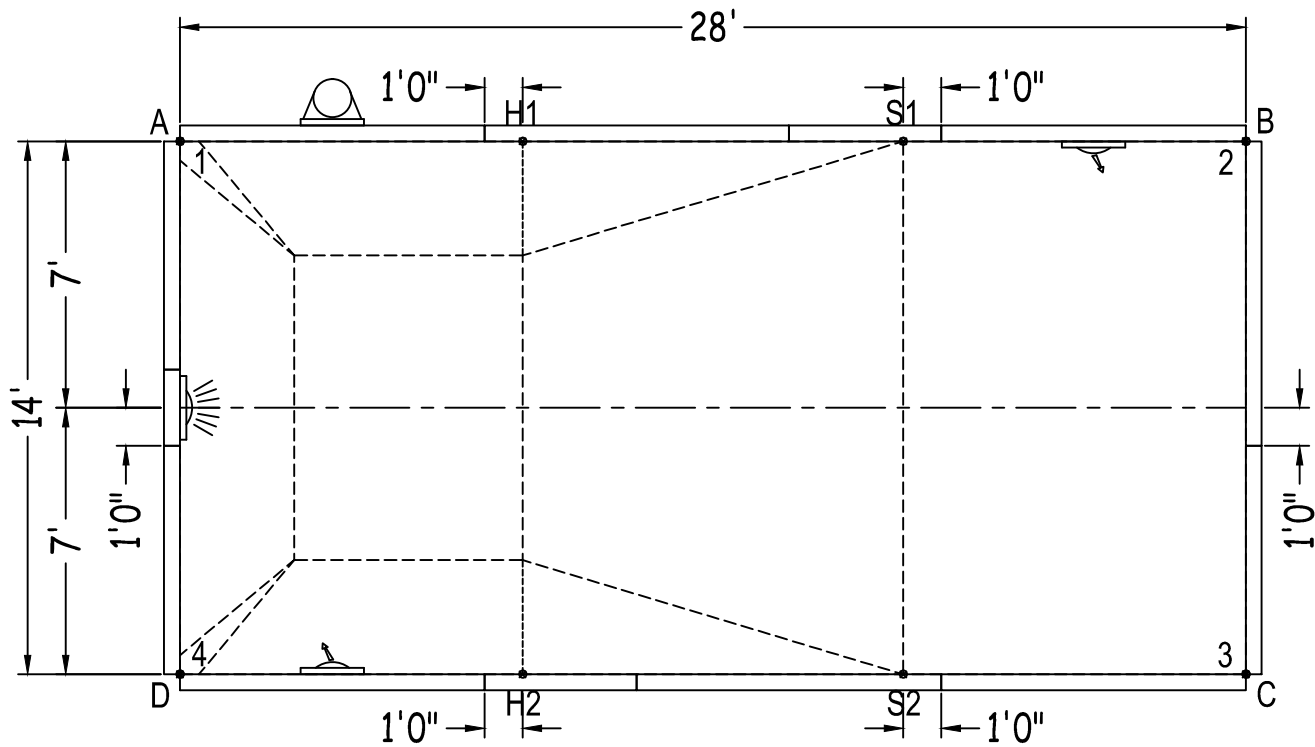
MEETS DEPTH AND SHAPE MINIMUM STANDARD ANSI/APSP/ICC-5 2011



Diagonals	
1 To 2	28'0"
1 To 3	31'-3 3/4"
1 To 4	14'0"
2 To 3	14'0"
2 To 4	31'-3 3/4"
3 To 4	28'0"

Part number	Description	Base	Option 1	Option 2	Option 3
		QTY	QTY	QTY	QTY
ST0960002X	8'	4	3	3	3
ST0960002*	8' SKIMMER	1	1	1	1
ST0960002*	8' RETURN	2	2	2	2
ST0720001X	6'	3	2	2	2
ST0480001X	4'	2	4	2	2
ST0360000X	3'	-	-	2	-
ST0240000*	2' LIGHT	1	1	1	1
ST0240000X	2'	-	-	-	2
SSC-TRST1207	12" Straight Transition	-	-	-	2
Brace**	Brace	9	10	10	10
IPC-AB90	CONNECTOR CNR ANGLE 90D 42"	4	4	4	4
IPC-AB90-INS6R	CORNER INSERT 6" RAD PVC 42"	4	4	4	4
IPC-STKPK25	REBAR STAKE 18" 25PC	1	1	1	2
IPC-HDWSTRT150	BOLT STR 3/8-16X1" C/W NUT 150PC	1	1	1	2
ST6018B	THKSHT STEP STR 6'	-	1	-	-
ST8024B	THKSHT STEP STR SIT N STEP 8'	-	-	1	-
SSK-ST096ST90	STEEL STEP STR-90D 3 TRD 8'	-	-	-	1

\*\* RECOMMENDED BRACE: Generic (XXX-XXX)



	A	B	C	D
1	0"	28'0"	31'-3 3/4"	14'0"
2	28'0"	0"	14'0"	31'-3 3/4"
3	31'-3 3/4"	14'0"	0"	28'0"
4	14'0"	31'-3 3/4"	28'0"	0"
S2	23'-7 1/4"	16'-7 3/4"	9'0"	19'0"
S1	19'0"	9'0"	16'-7 3/4"	23'-7 1/4"
H2	16'-7 3/4"	23'-7 1/4"	19'0"	9'0"
H1	9'0"	19'0"	23'-7 1/4"	16'-7 3/4"
A	-	28'0"	31'-3 3/4"	14'0"

QTY	PART #	DESCRIPTION
4	CN000006-1	6" RADIUS CORNER PIECE
8	ST096000-1	8'-0" STRAIGHT
2	ST024000-1	2'-0" STRAIGHT
18	CLIP-1	COPING CLIP
1	COP-TSPK100	SCREW, TEK (100/BAG)
NOTE: SOME COPING PIECES MAY NEED TO BE TRIMMED TO LENGTH AS INDICATED		

