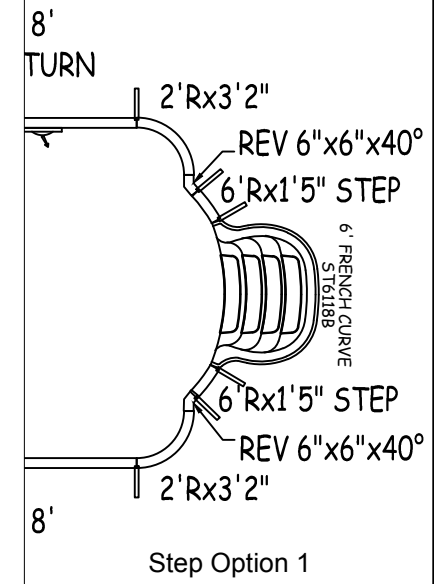
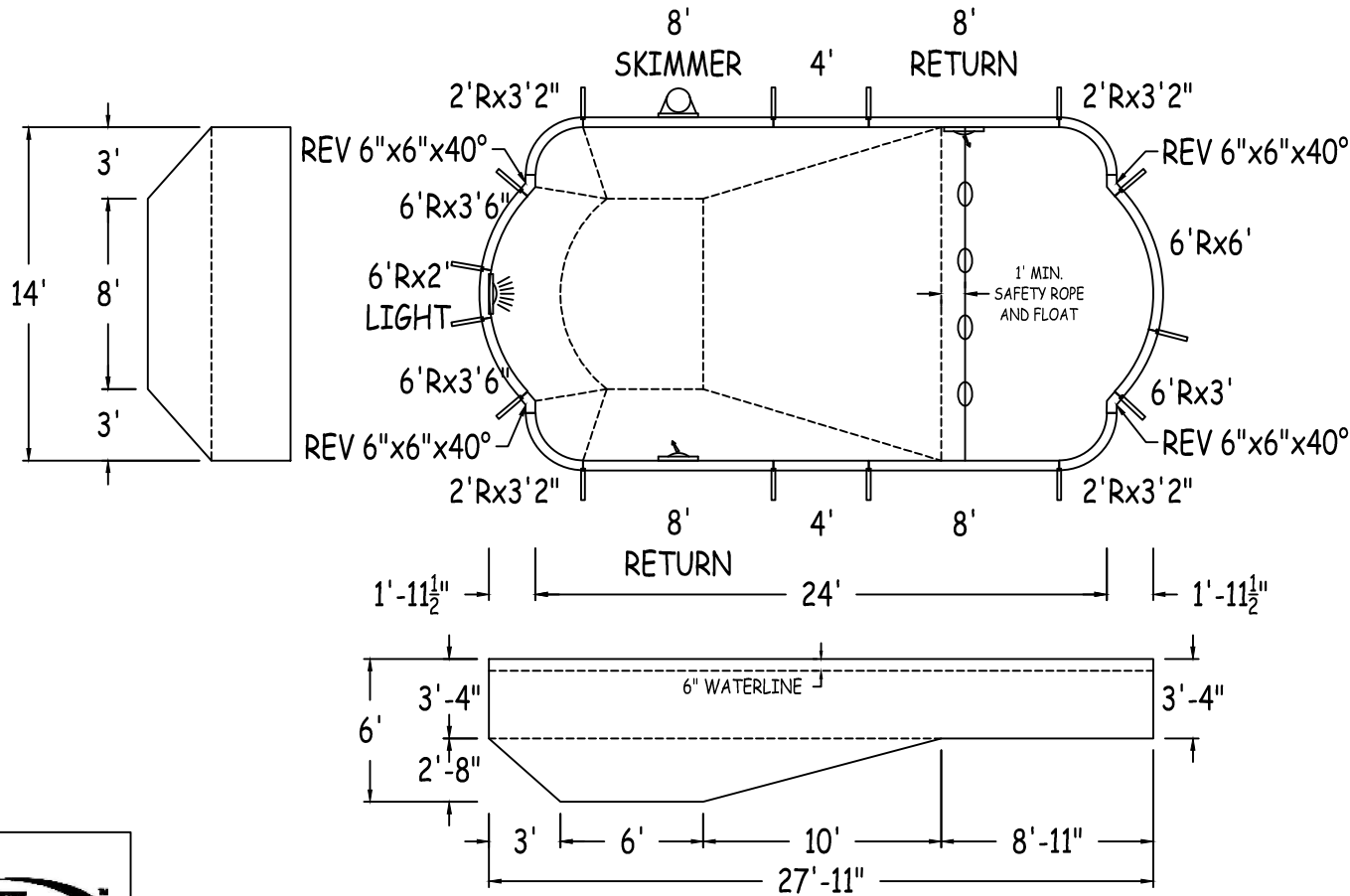


IN ACCORDANCE WITH ANSI/APSP/ICC-5 2011, THE INSTALLER IS RESPONSIBLE FOR PLACING ONE SKIMMER FOR EVERY 800 SQUARE FEET OF SURFACE AREA AND ONE RETURN FOR EVERY 300 SQUARE FEET OF SURFACE AREA.



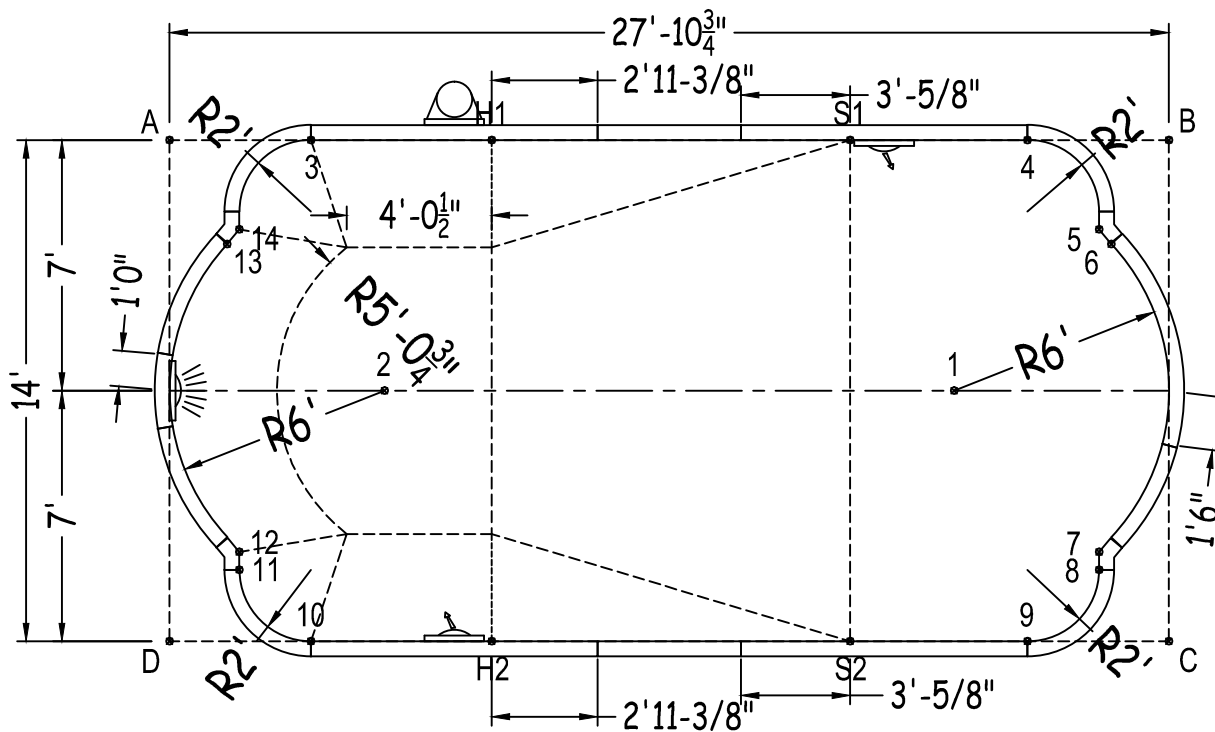
UNIVERSAL STEEL	ROMAN-2FT RAD 14-0 X 27-11				NON-DIVING POOL
42" STEEL PANELS	PERIMETER: 74'9"	VOLUME (US Gal): 9900			USE OF DIVING EQUIPMENT IS PROHIBITED
DWG#: USRM24S1428-13L	SURFACE (ft²): 356	VOLUME (Liters): 37500	DATE: 1/1/2013	DSR: 130	
KIT#: RM24S1428	COVER (ft²): 479	SCALE: 1/8" = 1'-0"			

ROMAN-2FT RAD

Center To Center	4 To 6	3'-8 3/4"	5 To 12	25'-7 1/2"	7 To 12	24'0"	10 To 12	3'-2 1/2"
1 To 2	4 To 7	11'-8"	5 To 13	24'-4 1/4"	7 To 13	25'-9 3/4"	10 To 13	11'-4"
Diagonals	4 To 8	12'-2"	5 To 14	24'0"	7 To 14	25'-7 1/2"	10 To 14	11'-8"
3 To 4	4 To 9	14'0"	6 To 7	8'-7 1/4"	8 To 9	2'-10"	11 To 12	6"
3 To 5	4 To 10	24'-5"	6 To 8	9'-1"	8 To 10	22'-1"	11 To 13	9'-1"
3 To 6	4 To 11	25'-3/4"	6 To 9	11'-4"	8 To 11	24'0"	11 To 14	9'-6"
3 To 7	4 To 12	24'-9 3/4"	6 To 10	24'-11 1/4"	8 To 12	24'0"	12 To 13	8'-7 1/4"
3 To 8	4 To 13	22'-6 1/4"	6 To 11	25'-11 3/4"	8 To 13	25'-11 3/4"	12 To 14	9'0"
3 To 9	4 To 14	22'-1 3/4"	6 To 12	25'-9 3/4"	8 To 14	25'-9 3/4"	13 To 14	6 1/4"
3 To 10	5 To 6	6 1/4"	6 To 13	24'-8 1/4"	9 To 10	20'0"		
3 To 11	5 To 7	9'0"	6 To 14	24'-4 1/4"	9 To 11	22'-1"		
3 To 12	5 To 8	9'-6"	7 To 8	6"	9 To 12	22'-1 3/4"		
3 To 13	5 To 9	11'-8"	7 To 9	3'-2 1/2"	9 To 13	24'-11 1/4"		
3 To 14	5 To 10	24'-9 3/4"	7 To 10	22'-1 3/4"	9 To 14	24'-9 3/4"		
4 To 5	5 To 11	25'-9 3/4"	7 To 11	24'0"	10 To 11	2'-10"		

		Base	Option 1
Part number	Description	QTY	QTY
ST0960002X	8'	1	1
ST0960002*	8' SKIMMER	1	1
ST0960002*	8' RETURN	2	2
ST0480001X	4'	2	2
RA0720721X	6'Rx6'	1	-
RA0420720X	6'Rx3'6"	2	2
RA0360720X	6'Rx3'	1	-
RA0240720*	6'Rx2' LIGHT	1	1
RA0170720X	6'Rx1'5" STEP	-	2
CN0380241X	2'Rx3'2"	4	4
SR00600640	REV 6"x6"x40°	4	4
Brace**	Brace	15	16
IPC-STKPK25	REBAR STAKE 18" 25PC	2	2
IPC-HDWSTRT150	BOLT STR 3/8-16X1" C/W NUT 150PC	2	2
ST6118B	THKSH T STEP FRENCH CURVE 6'	-	1

** RECOMMENDED BRACE: Generic (XXX-XXX)



	A	B	C	D
1	23'0"	9'-2 1/2"	9'-2 1/2"	23'0"
2	9'-2 1/2"	23'0"	23'0"	9'-2 1/2"
3	3'-11 1/2"	23'-11 1/2"	27'-9"	14'-6 1/2"
4	23'-11 1/2"	3'-11 1/2"	14'-6 1/2"	27'-9"
5	26'-3/4"	3'-2"	11'-8"	28'-4 1/2"
6	26'-5 1/2"	3'-4"	11'-2 1/2"	28'-6 1/2"
7	28'-4 1/2"	11'-8"	3'-2"	26'-3/4"
8	28'-7"	12'-1 3/4"	2'-9 1/2"	26'-1/4"
9	27'-9"	14'-6 1/2"	3'-11 1/2"	23'-11 1/2"
10	14'-6 1/2"	27'-9"	23'-11 1/2"	3'-11 1/2"
11	12'-1 3/4"	28'-7"	26'-1/4"	2'-9 1/2"
12	11'-8"	28'-4 1/2"	26'-3/4"	3'-2"
13	3'-4"	26'-5 1/2"	28'-6 1/2"	11'-2 1/2"
14	3'-2"	26'-3/4"	28'-4 1/2"	11'-8"
S2	23'-7 1/4"	16'-7"	8'-10 3/4"	19'0"
S1	19'0"	8'-10 3/4"	16'-7"	23'-7 1/4"
H2	16'-7 3/4"	23'-6 1/4"	18'-10 3/4"	9'0"
H1	9'0"	18'-10 3/4"	23'-6 1/4"	16'-7 3/4"
A	-	27'-10 3/4"	31'-2 1/2"	14'0"

QTY	PART #	DESCRIPTION
4	ST096000-1	8'-0" STRAIGHT
2	ST048000-1	4'-0" STRAIGHT
2	RA096072-1	8'-0" X 6'-0" RADIUS
2	RA048072-1	1'-0" X 6'-0" RADIUS [4' TRIMMED]
4	CN038024-1	3' 2" X 2' 0" RADIUS 90° CORNER
4	CS0606220-1	6" X 6" X 220° CORNER
22	CLIP-1	COPING CLIP
1	COP-TSPK100	SCREW, TEK (100/BAG)

NOTE: SOME COPING PIECES MAY NEED TO BE TRIMMED TO LENGTH AS INDICATED

