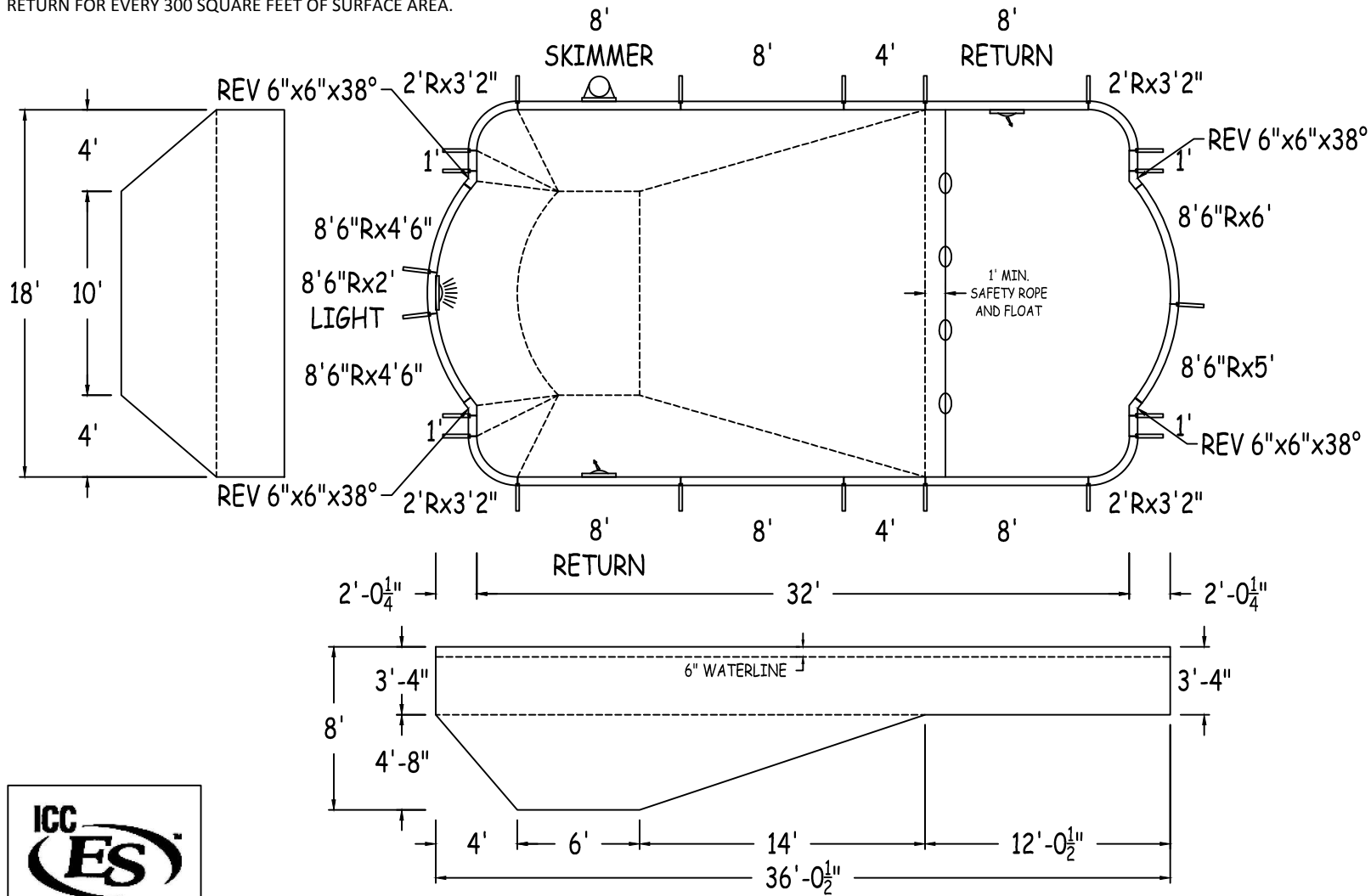


IN ACCORDANCE WITH ANSI/APSP/ICC-5 2011, THE INSTALLER IS RESPONSIBLE FOR PLACING ONE SKIMMER FOR EVERY 800 SQUARE FEET OF SURFACE AREA AND ONE RETURN FOR EVERY 300 SQUARE FEET OF SURFACE AREA.

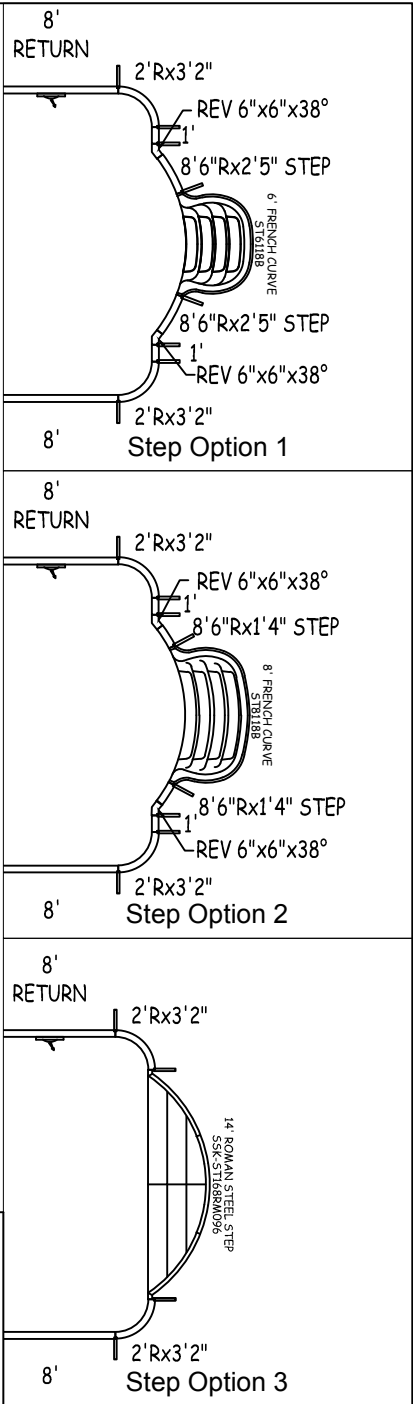


UNIVERSAL STEEL	ROMAN-2FT RAD 18-0 X 36-1			
42" STEEL PANELS	PERIMETER:	98'6"	VOLUME (US Gal):	19800
DWG#:	SURFACE (ft²):	603	VOLUME (Liters):	74900
USRM24S1836-13L	LINER (ft²):	649	DATE:	1/1/2013
KIT#:	COVER (ft²):	761	DSR:	130
RM24S1836			SCALE:	1/8" = 1'-0"



DIVING/SLIDING EQUIPMENT SHALL BE DESIGNED FOR SWIMMING POOLS AND SHALL BE INSTALLED IN ACCORDANCE WITH THE DIVING/SLIDING EQUIPMENT MANUFACTURER'S SPECIFICATIONS. PLEASE CONTACT THE DIVING/SLIDING EQUIPMENT MANUFACTURER FOR THEIR SPECIFICATIONS.

MEETS DEPTH AND SHAPE MINIMUM STANDARD ANSI/APSP/ICC-5 2011

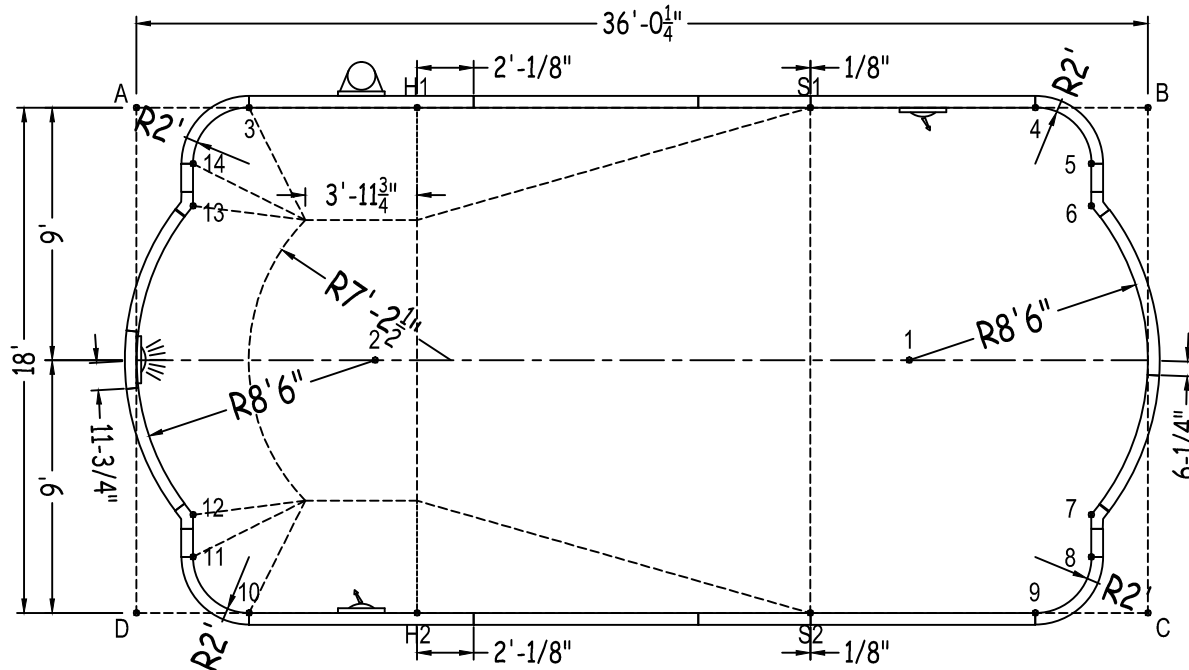


ROMAN-2FT RAD

Center To Center	4 To 6	4'- 1/4"	5 To 12	34'-4 1/4"	7 To 12	32'0"	10To12	4'- 1/4"
1 To 2	4 To 7	14'-7 3/4"	5 To 13	32'- 1/2"	7 To 13	33'-10"	10To13	14'-7 3/4"
Diagonals	4 To 8	16'-1 1/2"	5 To 14	32'0"	7 To 14	34'-4 1/4"	10To14	16'-1 1/2"
3 To 4	4 To 9	18'0"	6 To 7	11'0"	8 To 9	2'-10"	11To12	1'-6"
3 To 5	4 To 10	33'-3 1/2"	6 To 8	12'-6"	8 To 10	30'- 3/4"	11To13	12'-6"
3 To 6	4 To 11	34'0"	6 To 9	14'-7 3/4"	8 To 11	32'0"	11To14	14'0"
3 To 7	4 To 12	33'-3 3/4"	6 To 10	33'-3 3/4"	8 To 12	32'- 1/2"	12To13	11'0"
3 To 8	4 To 13	30'-2 1/2"	6 To 11	34'-4 1/4"	8 To 13	34'-4 1/4"	12To14	12'-6"
3 To 9	4 To 14	30'- 3/4"	6 To 12	33'-10"	8 To 14	34'-11 1/4"	13To14	1'-6"
3 To 10	5 To 6	1'-6"	6 To 13	32'0"	9 To 10	28'0"		
3 To 11	5 To 7	12'-6"	6 To 14	32'- 1/2"	9 To 11	30'- 3/4"		
3 To 12	5 To 8	14'0"	7 To 8	1'-6"	9 To 12	30'-2 1/2"		
3 To 13	5 To 9	16'-1 1/2"	7 To 9	4'- 1/4"	9 To 13	33'-3 3/4"		
3 To 14	5 To 10	34'0"	7 To 10	30'-2 1/2"	9 To 14	34'0"		
4 To 5	5 To 11	34'-11 1/4"	7 To 11	32'- 1/2"	10To11	2'-10"		

Part number	Description	Base	Option 1	Option 2	Option 3
		QTY	QTY	QTY	QTY
ST0960002X	8'	3	3	3	3
ST0960002*	8' SKIMMER	1	1	1	1
ST0960002*	8' RETURN	2	2	2	2
ST0480001X	4'	2	2	2	2
ST0120000X	1'	4	4	4	2
RA0721021X	8'6"Rx6'	1	-	-	-
RA0601021X	8'6"Rx5'	1	-	-	-
RA0541021X	8'6"Rx4'6"	2	2	2	2
RA0291020X	8'6"Rx2'5" STEP	-	2	-	-
RA0241020*	8'6"Rx2' LIGHT	1	1	1	1
RA0161020X	8'6"Rx1'4" STEP	-	-	2	-
CN0380241X	2'Rx3'2"	4	4	4	4
SR00600638	REV 6"x6"x38°	4	4	4	2
Brace**	Brace	21	22	22	19
IPC-STKPK25	REBAR STAKE 18" 25PC	2	2	2	2
IPC-HDWSTRT150	BOLT STR 3/8-16X1" C/W NUT 150PC	2	2	2	2
ST6118B	THKSHT STEP FRENCH CURVE 6'	-	1	-	-
ST8118B	THKSHT STEP FRENCH CURVE 8'	-	-	1	-
SSK-ST168RM096	STEEL STEP ROMAN 3 TRD 14'X8'RA	-	-	-	1

** RECOMMENDED BRACE: Generic (XXX-XXX)



	A	B	C	D
1	28'-11 1/2"	12'-4 1/2"	12'-4 1/2"	28'-11 1/2"
2	12'-4 1/2"	28'-11 1/2"	28'-11 1/2"	12'-4 1/2"
3	4'- 1/4"	32'- 1/4"	36'-8 3/4"	18'-5 1/4"
4	32'- 1/4"	4'- 1/4"	18'-5 1/4"	36'-8 3/4"
5	34'-1"	2'-10"	16'-1 1/2"	37'-7"
6	34'-2 1/4"	4'- 1/2"	14'-7 3/4"	36'-11 3/4"
7	36'-11 3/4"	14'-7 3/4"	4'- 1/2"	34'-2 1/4"
8	37'-7"	16'-1 1/2"	2'-10"	34'-1"
9	36'-8 3/4"	18'-5 1/4"	4'- 1/4"	32'- 1/4"
10	18'-5 1/4"	36'-8 3/4"	32'- 1/4"	4'- 1/4"
11	16'-1 1/2"	37'-7"	34'-1"	2'-10"
12	14'-7 3/4"	36'-11 3/4"	34'-2 1/4"	4'- 1/2"
13	4'- 1/2"	34'-2 1/4"	36'-11 3/4"	14'-7 3/4"
14	2'-10"	34'-1"	37'-7"	16'-1 1/2"
S2	30'0"	21'-7 3/4"	12'- 1/4"	24'0"
S1	24'0"	12'- 1/4"	21'-7 3/4"	30'0"
H2	20'-7"	31'-7 3/4"	26'- 1/4"	10'0"
H1	10'0"	26'- 1/4"	31'-7 3/4"	20'-7"
A	-	36'- 1/4"	40'-3 1/4"	18'0"

QTY	PART #	DESCRIPTION
6	ST096000-1	8'-0" STRAIGHT
2	ST048000-1	4'-0" STRAIGHT
4	ST024000-1	1'-0" STRAIGHT [2' TRIMMED]
2	RA096102-1	8'-0" X 8'-6" RADIUS
2	RA048102-1	3'-0" X 8'-6" RADIUS [4' TRIMMED]
4	CN038024-1	3' 2" X 2' 0" RADIUS 90° CORNER
4	CS0606218-1	6" X 6" X 218° CORNER
28	CLIP-1	COPING CLIP
1	COP-TSPK100	SCREW, TEK (100/BAG)

NOTE: SOME COPING PIECES MAY NEED TO BE TRIMMED TO LENGTH AS INDICATED

