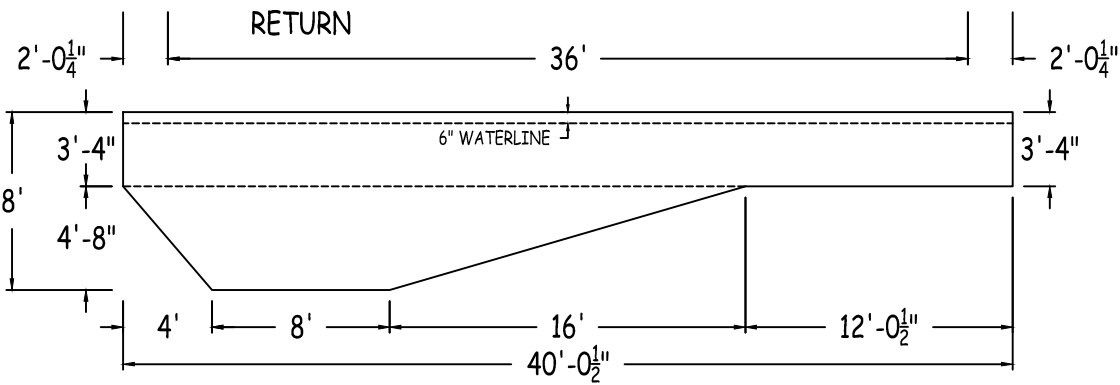
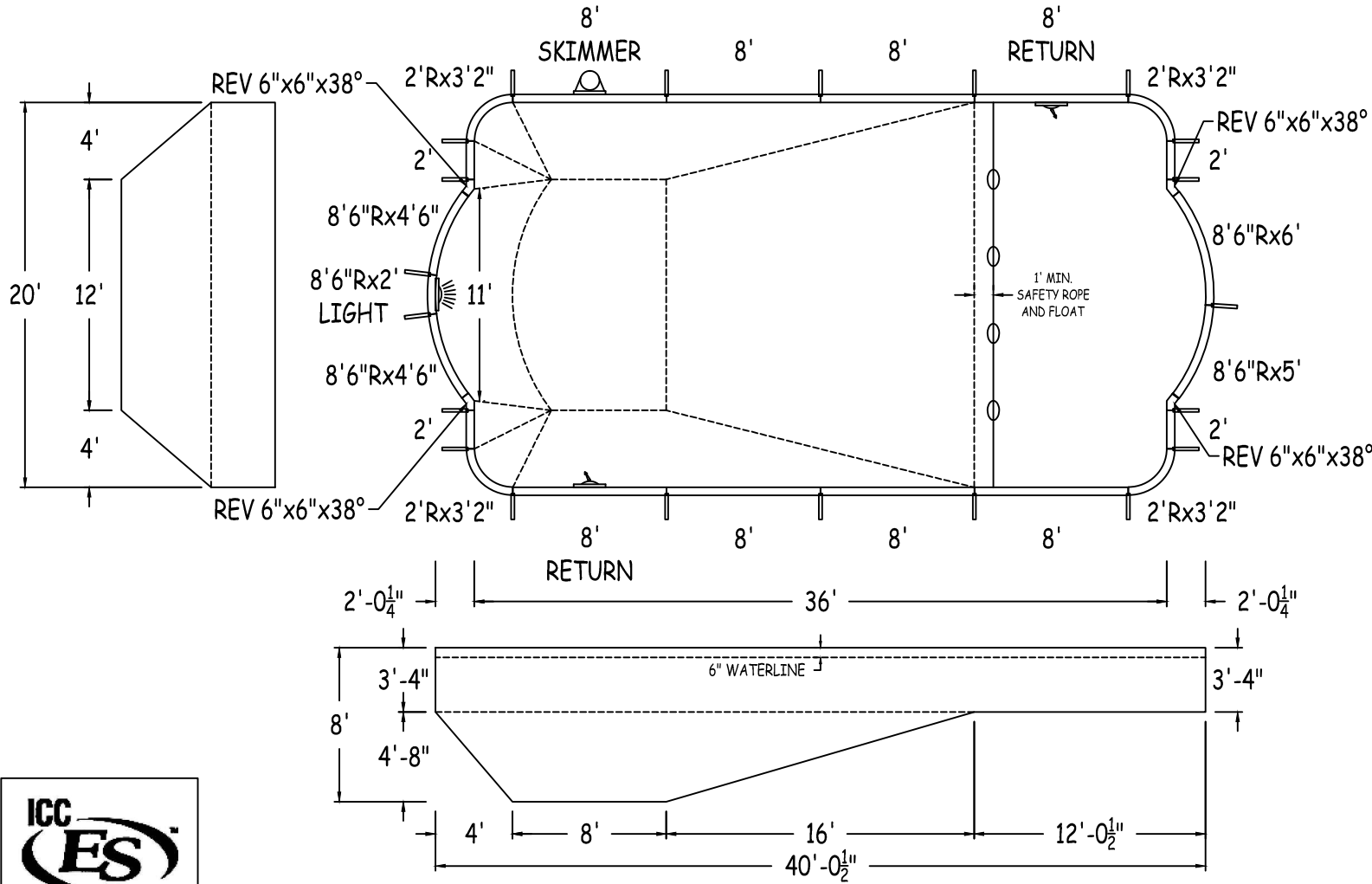


IN ACCORDANCE WITH ANSI/APSP/ICC-5 2011, THE INSTALLER IS RESPONSIBLE FOR PLACING ONE SKIMMER FOR EVERY 800 SQUARE FEET OF SURFACE AREA AND ONE RETURN FOR EVERY 300 SQUARE FEET OF SURFACE AREA.

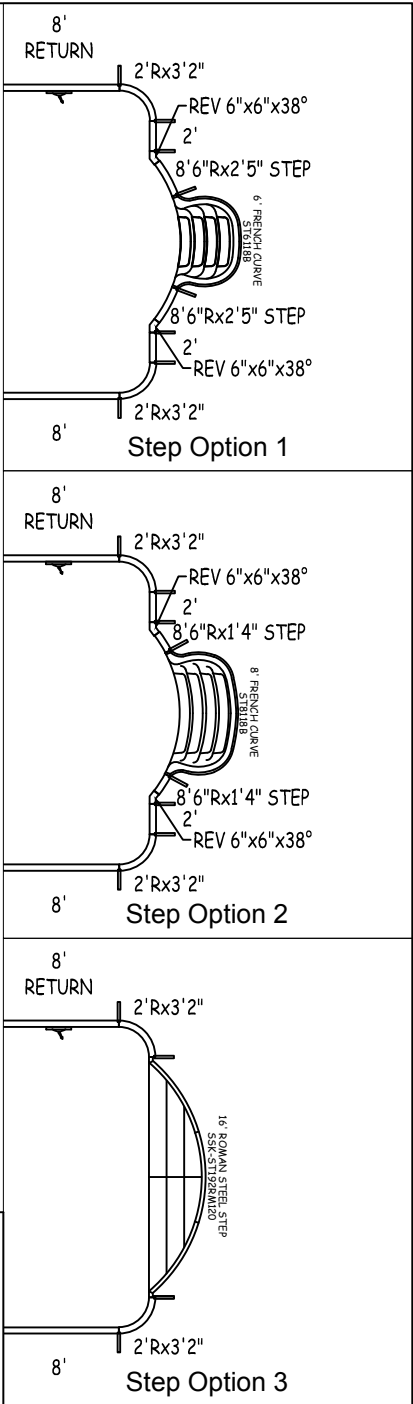


UNIVERSAL STEEL	ROMAN-2FT RAD 20-0 X 40-1			
42" STEEL PANELS	PERIMETER: 110'6"	VOLUME (US Gal): 24500		
DWG#: USRM24S2040-13L	SURFACE (ft²): 747	VOLUME (Liters): 92700		
KIT#: RM24S2040	COVER (ft²): 925	DATE: 1/1/2013	DSR: 130	
		SCALE: 1/8" = 1'-0"		



DIVING/SLIDING EQUIPMENT SHALL BE DESIGNED FOR SWIMMING POOLS AND SHALL BE INSTALLED IN ACCORDANCE WITH THE DIVING/SLIDING EQUIPMENT MANUFACTURER'S SPECIFICATIONS. PLEASE CONTACT THE DIVING/SLIDING EQUIPMENT MANUFACTURER FOR THEIR SPECIFICATIONS.

MEETS DEPTH AND SHAPE MINIMUM STANDARD ANSI/APSP/ICC-5 2011

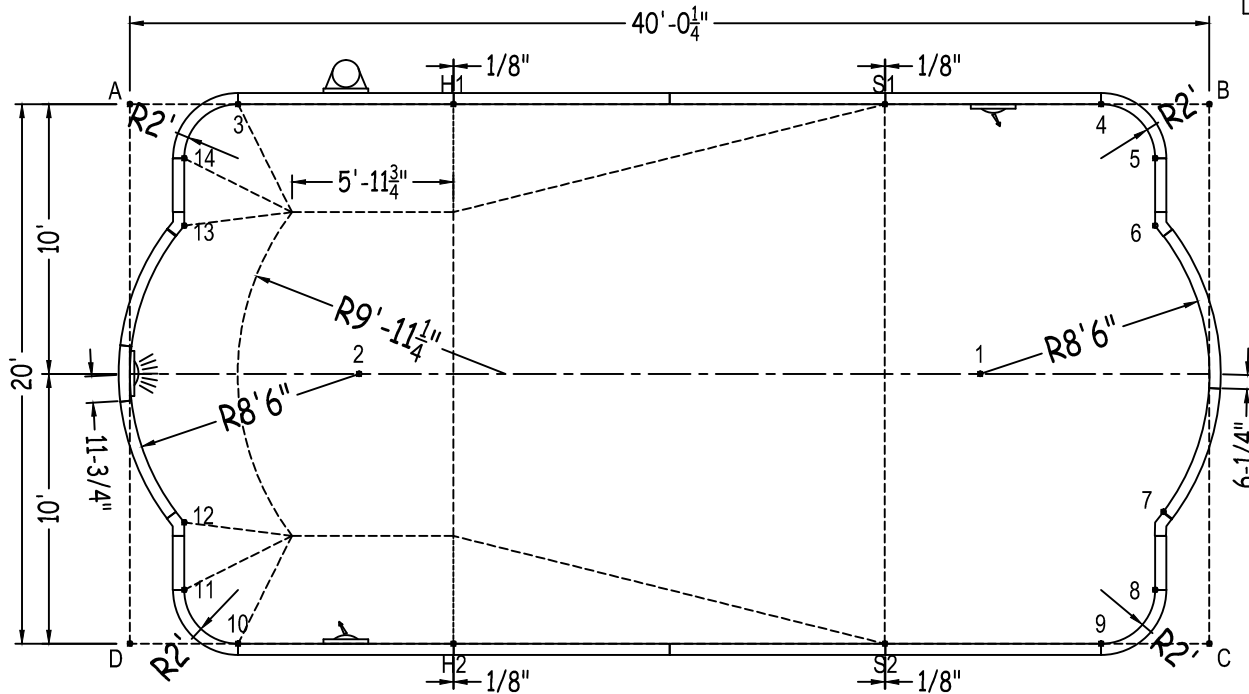


ROMAN-2FT RAD

Center To Center	4 To 6	4'-11"	5 To 12	38'-5 1/2"	7 To 12	36'-3 3/4"	10 To 12	4'-11"
1 To 2	4 To 7	15'-3 1/2"	5 To 13	36'-1"	7 To 13	37'-10"	10 To 13	15'-7 1/2"
Diagonals	4 To 8	18'-1 1/4"	5 To 14	36'0"	7 To 14	38'-7 1/4"	10 To 14	18'-1 1/4"
3 To 4	4 To 9	20'0"	6 To 7	10'-7 1/4"	8 To 9	2'-10"	11 To 12	2'-6"
3 To 5	4 To 10	37'-8 3/4"	6 To 8	13'-6"	8 To 10	34'- 3/4"	11 To 13	13'-6"
3 To 6	4 To 11	38'-5 3/4"	6 To 9	15'-7 1/2"	8 To 11	36'0"	11 To 14	16'0"
3 To 7	4 To 12	37'-4 1/2"	6 To 10	37'-4 1/2"	8 To 12	36'-1"	12 To 13	11'0"
3 To 8	4 To 13	34'-3 1/2"	6 To 11	38'-5 1/2"	8 To 13	38'-5 1/2"	12 To 14	13'-6"
3 To 9	4 To 14	34'- 3/4"	6 To 12	37'-7 3/4"	8 To 14	39'-4 3/4"	13 To 14	2'-6"
3 To 10	5 To 6	2'-6"	6 To 13	36'0"	9 To 10	32'0"		
3 To 11	5 To 7	13'-1 1/4"	6 To 14	36'-1"	9 To 11	34'- 3/4"		
3 To 12	5 To 8	16'0"	7 To 8	2'-11"	9 To 12	34'-3 1/2"		
3 To 13	5 To 9	18'-1 1/4"	7 To 9	5'-5"	9 To 13	37'-4 1/2"		
3 To 14	5 To 10	38'-5 3/4"	7 To 10	34'-8"	9 To 14	38'-5 3/4"		
4 To 5	5 To 11	39'-4 3/4"	7 To 11	36'-5"	10 To 11	2'-10"		

Part number	Description	Base	Option 1	Option 2	Option 3
		QTY	QTY	QTY	QTY
ST0960002X	8'	5	5	5	5
ST0960002*	8' SKIMMER	1	1	1	1
ST0960002*	8' RETURN	2	2	2	2
ST0240000X	2'	4	4	4	2
RA0721021X	8'6"Rx6'	1	-	-	-
RA0601021X	8'6"Rx5'	1	-	-	-
RA0541021X	8'6"Rx4'6"	2	2	2	2
RA0291020X	8'6"Rx2'5" STEP	-	2	-	-
RA0241020*	8'6"Rx2' LIGHT	1	1	1	1
RA0161020X	8'6"Rx1'4" STEP	-	-	2	-
CN0380241X	2'Rx3'2"	4	4	4	4
SR00600638	REV 6"x6"x38°	4	4	4	2
Brace**	Brace	21	22	22	19
IPC-STKPK25	REBAR STAKE 18" 25PC	2	2	2	2
IPC-HDWSTRT150	BOLT STR 3/8-16X1" C/W NUT 150PC	2	2	2	2
ST6118B	THKSH T STEP FRENCH CURVE 6'	-	1	-	-
ST8118B	THKSH T STEP FRENCH CURVE 8'	-	-	1	-
SSK-ST192RM120	STEEL STEP ROMAN 3 TRD 16'X10'RA	-	-	-	1

** RECOMMENDED BRACE: Generic (XXX-XXX)



	A	B	C	D
1	33'-1"	13'-1 1/2"	13'-1 1/2"	33'-1"
2	13'-1 1/2"	33'-1"	33'-1"	13'-1 1/2"
3	4'- 1/4"	36'- 1/4"	41'-2 1/4"	20'-4 3/4"
4	36'- 1/4"	4'- 1/4"	20'-4 3/4"	41'-2 1/4"
5	38'- 3/4"	2'-10"	18'-1 1/4"	42'- 3/4"
6	38'-3 1/4"	4'-11 1/4"	15'-7 1/2"	41'- 3/4"
7	41'-2 1/4"	15'-2 1/2"	5'-2 1/4"	38'-7 3/4"
8	42'- 3/4"	18'-1 1/4"	2'-10"	38'- 3/4"
9	41'-2 1/4"	20'-4 3/4"	4'- 1/4"	36'- 1/4"
10	20'-4 3/4"	41'-2 1/4"	36'- 1/4"	4'- 1/4"
11	18'-1 1/4"	42'- 3/4"	38'- 3/4"	2'-10"
12	15'-7 1/2"	41'- 3/4"	38'-3 1/4"	4'-11 1/4"
13	4'-11 1/4"	38'-3 1/4"	41'- 3/4"	15'-7 1/2"
14	2'-10"	38'- 3/4"	42'- 3/4"	18'-1 1/4"
S2	34'-5"	23'-4"	12'- 1/4"	28'0"
S1	28'0"	12'- 1/4"	23'-4"	34'-5"
H2	23'-4"	34'-5 1/4"	28'- 1/4"	12'0"
H1	12'0"	28'- 1/4"	34'-5 1/4"	23'-4"
A	-	40'- 1/4"	44'-9"	20'0"

QTY	PART #	DESCRIPTION
8	ST096000-1	8'-0" STRAIGHT
4	ST024000-1	2'-0" STRAIGHT
2	RA096102-1	8'-0" X 8'-6" RADIUS
2	RA048102-1	3'-0" X 8'-6" RADIUS [4' TRIMMED]
4	CN038024-1	3' 2" X 2' 0" RADIUS 90° CORNER
4	CS0606218-1	6" X 6" X 218° CORNER
28	CLIP-1	COPING CLIP
2	COP-TSPK100	SCREW, TEK (100/BAG)

NOTE: SOME COPING PIECES MAY NEED TO BE TRIMMED TO LENGTH AS INDICATED

