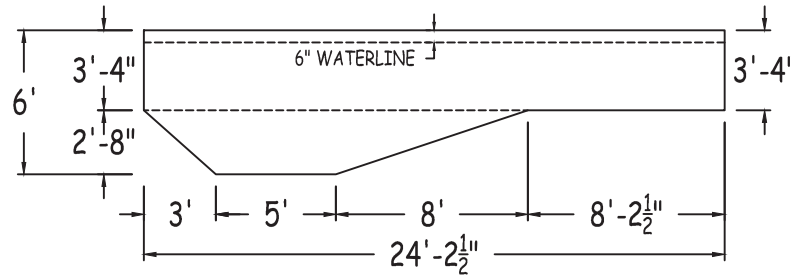
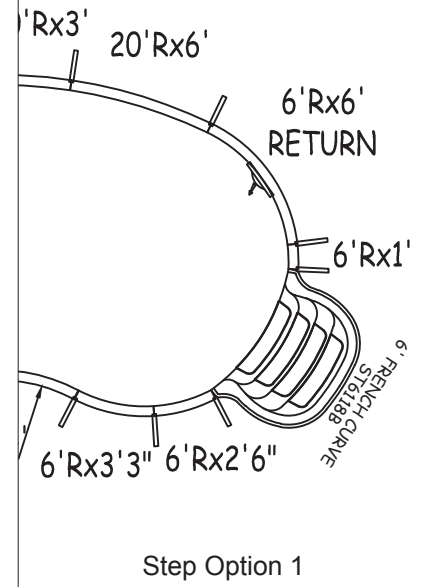
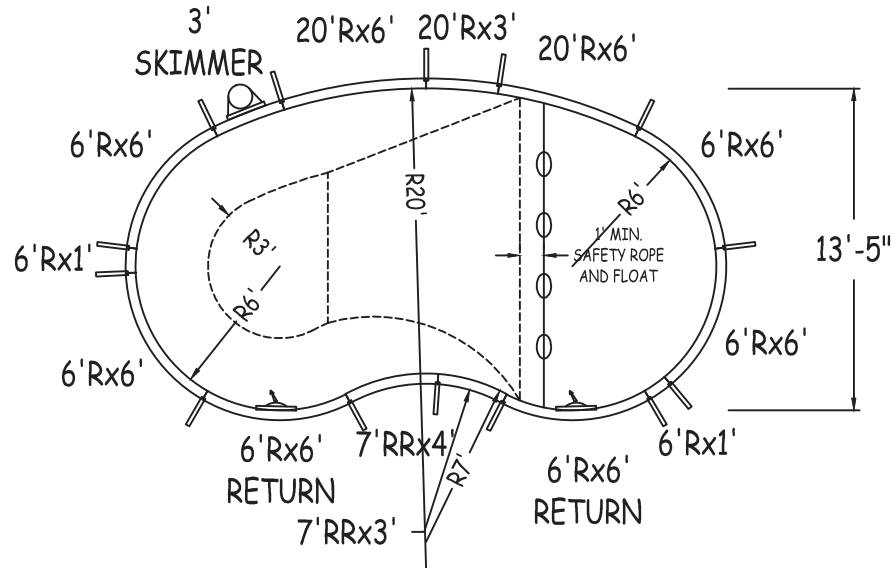
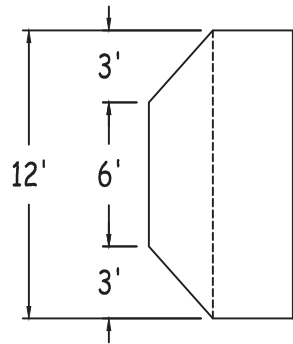


IN ACCORDANCE WITH ANSI/APSP/ICC-5 2011, THE INSTALLER IS RESPONSIBLE FOR PLACING ONE SKIMMER FOR EVERY 800 SQUARE FEET OF SURFACE AREA AND ONE RETURN FOR EVERY 300 SQUARE FEET OF SURFACE AREA.



LATHAM STEEL

CRESCENT 12-0 x 13-5 x 24-3 LEFT

42" STEEL PANELS

PERIMETER: 63'-0" VOLUME (US Gal): 7300

DWG#: LSCR00S1224L15

SURFACE (ft²): 264 VOLUME (Liters): 27600

KIT#: CR00S1224

LINER (ft²): 291 DATE: 1/1/2015 DSR: 127

COVER (ft²): 447

SCALE: 1/8" = 1'-0"

ALWAYS ENTER POOL

Feet First

NON-DIVING POOL

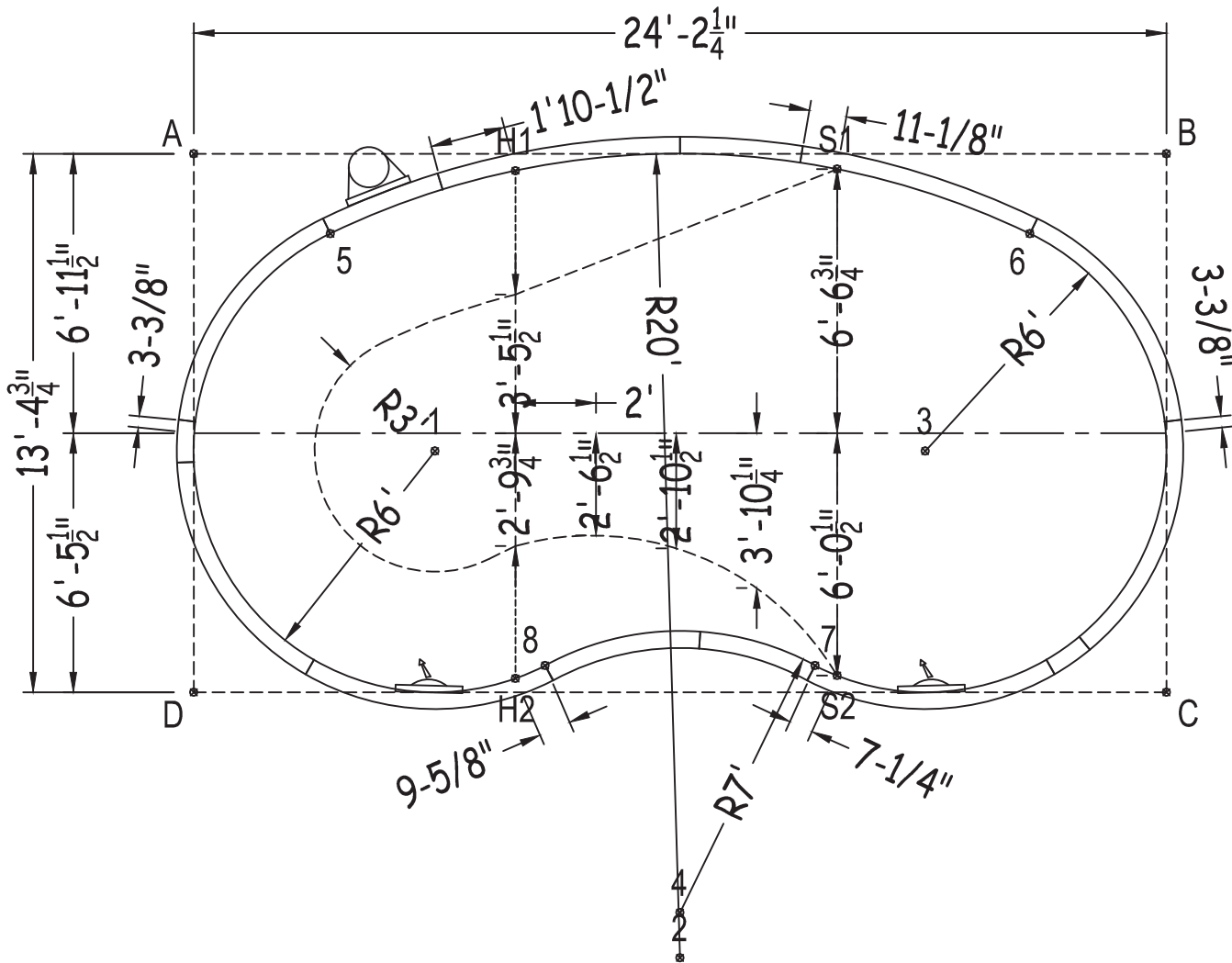
USE OF DIVING EQUIPMENT IS PROHIBITED

MEETS DEPTH AND SHAPE MINIMUM STANDARD ANSI/APSP/ICC-5 2011



SHEET: 1 OF 3

Center To Center	S1toH1	8'-0"
1 to 2	S2toH2	8'-0"
1 to 3	S1toH2	14'-11 3/4"
1 to 4	H1toS2	14'-10 3/4"
2 to 3	5 to 6	17'-4 3/4"
2 to 4	5 to 7	16'-1 3/4"
3 to 4	5 to 8	12'-0"
Diagonals	6 to 7	12'-0"
S1toS2	6 to 8	16'-1 3/4"
H1toH2	7 to 8	6'-8 1/2"



Part number	Description	Base / Option 1	
		QTY	QTY
RA0722402X	20'Rx6'	2	2
RA0362400X	20'Rx3'	1	1
RA036SK30*	3' SKIMMER	1	1
RA0720721X	6'Rx6'	4	2
RA0720721*	6'Rx6' RETURN	2	2
RA0390720X	6'Rx3'3"	-	1
RA0300720X	6'Rx2'6"	-	1
RA0120720X	6'Rx1'	2	2
RR0480841X	7'RRx4'	1	1
RR0360840X	7'RRx3'	1	1
Brace	Brace	14	15
IPC-STKPK25	REBAR STAKE 18" 25PC	2	2
IPC-HDWSTRT150	BOLT STR 3/8-16X1" C/W NUT 150PC	2	2
ST6118B	THKSH T STEP FRENCH CURVE 6'	-	1

	A	B	C	D
1	9'-6 1/4"	19'-7 3/4"	19'-1 3/4"	8'-5 3/4"
2	23'-4 1/2"	23'-4 1/2"	13'-9 1/4"	13'-9 1/4"
3	19'-7 3/4"	9'-6 1/4"	8'-5 3/4"	19'-1 3/4"
4	22'-5"	22'-5"	13'-3 1/4"	13'-3 1/4"
5	3'-11 1/4"	20'-10 3/4"	23'-8 1/2"	11'-10 3/4"
6	20'-10 3/4"	3'-11 1/4"	11'-10 3/4"	23'-8 1/2"
7	20'-1/4"	15'-5 1/4"	8'-9 1/4"	15'-5 1/2"
8	15'-5 1/4"	20'-1/4"	15'-5 1/2"	8'-9 1/4"
S2	20'-7 1/4"	15'-4 1/4"	8'-2 1/2"	16'-0"
S1	16'-0"	8'-2 1/2"	15'-4 1/2"	20'-7 1/2"
H2	15'-3 3/4"	20'-9 1/2"	16'-2 1/4"	8'-0"
H1	8'-1/4"	16'-2 1/4"	20'-9"	15'-3"
A	-	24'-2 1/4"	27'-7 3/4"	13'-4 3/4"

CRESCENT 12-0 X 13-5 X 24-3 LEFT

DWG #: LSCR00S1224L15

DATE: 1/1/2015

SHEET: 2 OF 3

