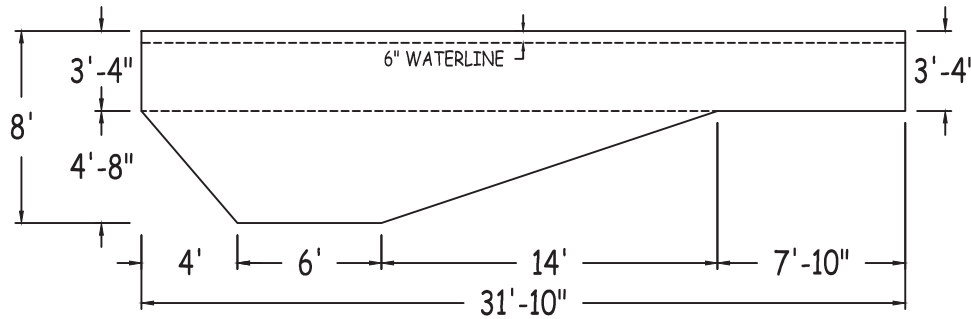
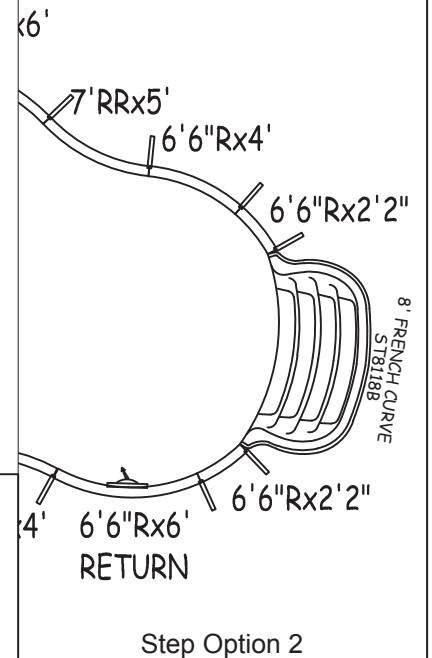
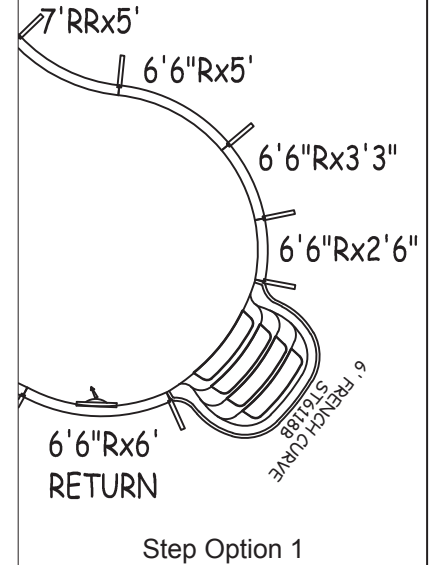
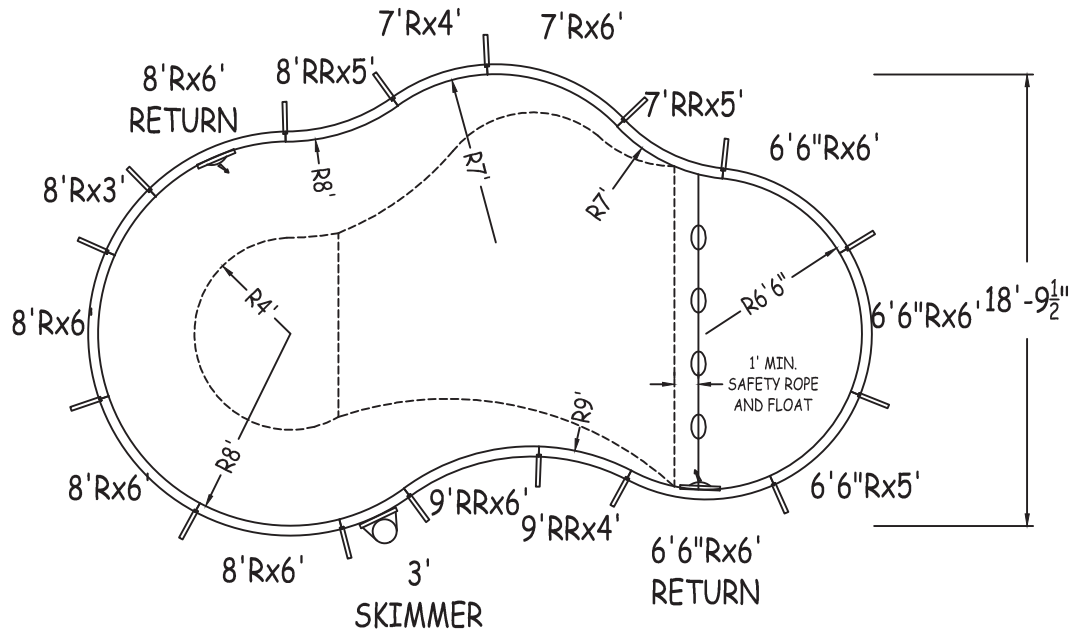
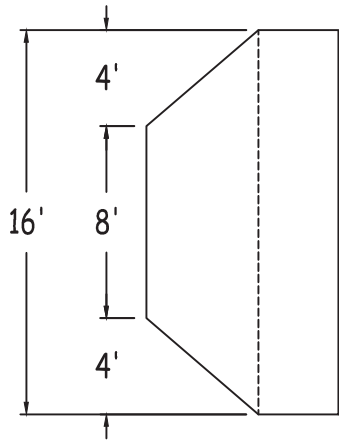


IN ACCORDANCE WITH ANSI/APSP/ICC-5 2011, THE INSTALLER IS RESPONSIBLE FOR PLACING ONE SKIMMER FOR EVERY 800 SQUARE FEET OF SURFACE AREA AND ONE RETURN FOR EVERY 300 SQUARE FEET OF SURFACE AREA.



**LATHAM STEEL**

**MOUNTAIN LAKE 16-0 x 18-10 x 31-10 LEFT**

42" STEEL PANELS	PERIMETER:	83'-0"	VOLUME (US Gal):	14100
DWG#:	SURFACE (ft²):	430	VOLUME (Liters):	53400
LSML00S1632L15	LINER (ft²):	509	DATE:	1/1/2015
KIT#:	COVER (ft²):	759	DSR:	87
ML00S1632			SCALE:	1/8" = 1'-0"



DIVING/SLIDING EQUIPMENT SHALL BE DESIGNED FOR SWIMMING POOLS AND SHALL BE INSTALLED IN ACCORDANCE WITH THE DIVING/SLIDING EQUIPMENT MANUFACTURER'S SPECIFICATIONS. PLEASE CONTACT THE DIVING/SLIDING EQUIPMENT MANUFACTURER FOR THEIR SPECIFICATIONS.

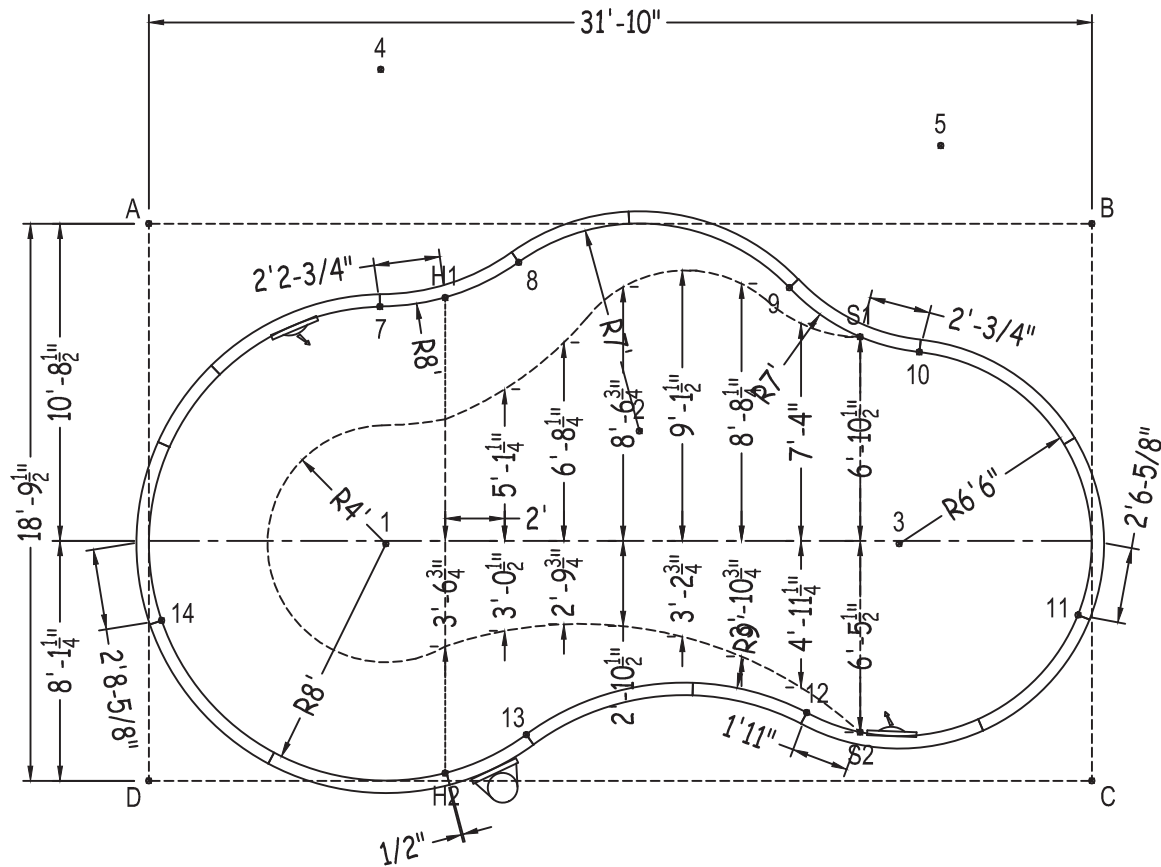
MEETS DEPTH AND SHAPE MINIMUM STANDARD ANSI/APSP/ICC-5 2011

**MOUNTAIN LAKE**

SHEET: 1 OF 3

Center To Center	H1toH2	16'- 1/2"	9 to10	4'-10 3/4"
1 to 2	9'-4 1/4"	S1toH1	14'- 3/4"	9 to 11
1 to 3	17'-4"	S2toH2	14'- 3/4"	9 to 12
1 to 4	16'-0"	S1toH2	20'-3 3/4"	9 to 13
1 to 5	23'- 1/2"	H1toS2	20'-3 1/4"	9 to 14
1 to 6	17'-0"	7 to 8	4'-11"	10 to 11
2 to 3	9'-6 3/4"	7 to 9	13'-10"	10 to 12
2 to 4	15'-0"	7 to 10	18'-3 1/4"	10 to 13
2 to 5	14'-0"	7 to 11	25'-9"	10 to 14
2 to 6	17'-6 3/4"	7 to 12	19'-10 1/2"	11 to 12
3 to 4	23'-8 1/2"	7 to 13	15'-3 1/4"	11 to 13
3 to 5	13'-6"	7 to 14	12'-10 3/4"	11 to 14
3 to 6	15'-6"	8 to 9	9'-2"	12 to 13
4 to 5	19'- 3/4"	8 to 10	13'-10 1/4"	12 to 14
4 to 6	31'-5"	8 to 11	22'-3 3/4"	13 to 14
5 to 6	28'-5 3/4"	8 to 12	18'- 1/2"	
Diagonals	8 to 13	15'-11 1/4"		
S1toS2	13'-4"	8 to 14	17'- 3/4"	

Part number	Description	Option 2		
		Base	Option 1	Option 2
RA0720961X	8'Rx6'	3	3	3
RA0720961*	8'Rx6' RETURN	1	1	1
RA0360960X	8'Rx3'	1	1	1
RA036SK10*	3' SKIMMER	1	1	1
RA0720841X	7'Rx6'	1	1	1
RA0480841X	7'Rx4'	1	1	1
RA0720781X	6'6"Rx6'	2	-	-
RA0720781*	6'6"Rx6' RETURN	1	1	1
RA0600781X	6'6"Rx5'	1	1	-
RA0480781X	6'6"Rx4'	-	-	1
RA0390780X	6'6"Rx3'3"	-	1	-
RA0300780X	6'6"Rx2'6"	-	1	-
RA0260780X	6'6"Rx2'2"	-	-	2
RR0721081X	9'RRx6'	1	1	1
RR0481081X	9'RRx4'	1	1	1
RR0600961X	8'RRx5'	1	1	1
RR0600841X	7'RRx5'	1	1	1
Brace	Brace	16	17	17
IPC-STKPK25	REBAR STAKE 18" 25PC	2	2	2
IPC-HDWSTRT150	BOLT STR 3/8-16X1" C/W NUT 150PC	2	2	2
ST6118B	THKSHT STEP FRENCH CURVE 6'	-	1	-
ST8118B	THKSHT STEP FRENCH CURVE 8'	-	-	1



	A	B	C	D
1	13'-5 1/4"	26'-2"	25'-1 1/2"	11'-3 3/4"
2	17'-11 3/4"	16'-9 1/2"	19'-3 1/2"	20'-4"
3	27'-6 1/4"	12'-7 1/4"	10'-3 3/4"	26'-6 3/4"
4	9'-4 3/4"	24'-6 3/4"	33'-11 1/4"	25'-3"
5	26'-10 1/4"	5'-8 3/4"	22'- 1/4"	34'-3"
6	30'-5 1/4"	28'-1 1/4"	14'-10 3/4"	18'-11 1/4"
7	8'-3 1/2"	24'-2 1/4"	28'-10 1/2"	17'-9 1/2"
8	12'-6 1/2"	19'-4 1/2"	26'-1"	21'-6"
9	21'-8 3/4"	10'-5 1/4"	19'-6 1/4"	27'-3 1/4"
10	26'-4 1/4"	7'-3 1/4"	15'-7"	29'-9"
11	34'- 1/4"	13'-2 1/2"	5'-7 1/4"	31'-10 1/4"
12	27'-8"	19'-1 1/4"	9'-10 3/4"	22'-3 3/4"
13	21'-5 1/4"	25'-8 3/4"	19'-1 3/4"	12'-10"
14	13'-4 3/4"	34'-1 1/2"	31'-10 1/4"	5'-5 1/4"
S2	29'-6"	18'-10 1/4"	8'-0"	24'- 3/4"
S1	24'-3 3/4"	8'-8 1/2"	16'-10 3/4"	28'-3 1/2"
H2	21'- 3/4"	28'-7 3/4"	21'-9 3/4"	10'-0"
H1	10'-3 3/4"	21'-11 1/2"	27'-2 3/4"	19'-1 1/2"
A	-	31'-10"	36'-11 1/2"	18'-9 1/2"

MOUNTAIN LAKE 16-0 X 18-10 X 31-10 LEFT

DWG #: LSML00S1632L15

DATE: 1/1/2015

SHEET: 2 OF 3

