

# AUTOMATIC POOL CLEANER PARTS

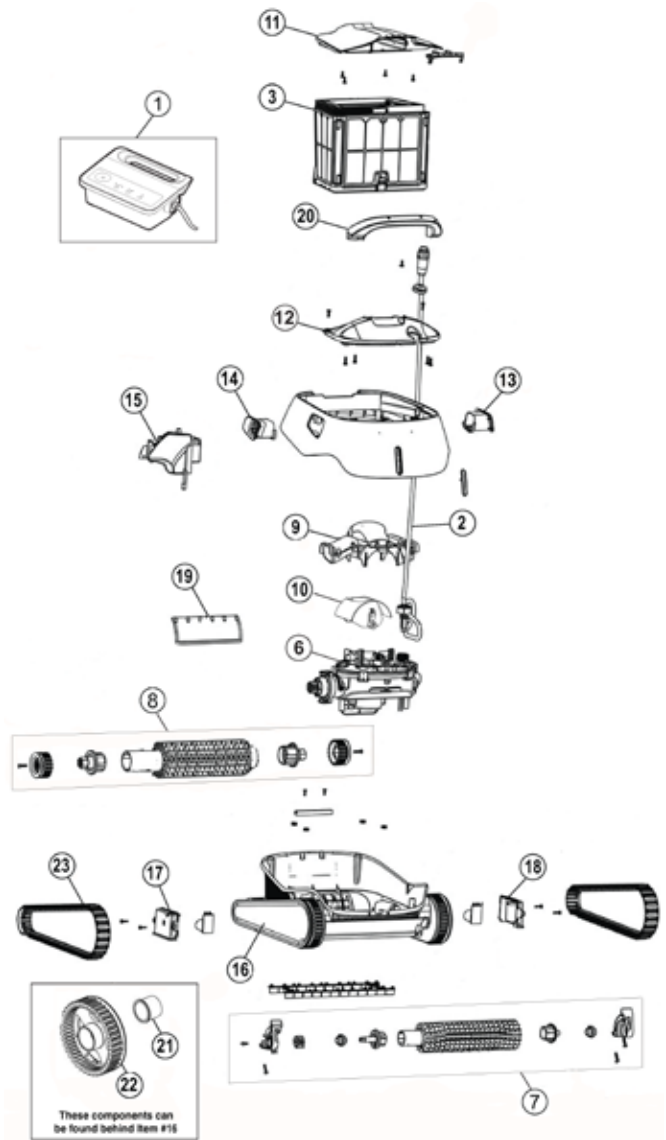
Product Catalog 2020



# PENTAIR PROWLER® 930/PENTAIR WARRIOR® SI

## CLEANER REPLACEMENT PARTS

Item	Part No.	Description	US List	Can. List
<b>PROWLER 930/WARRIOR SI</b>				
1	360360	Power Supply	529.26	635.96
2	360446	Communication Cable	461.06	554.01
3	360362	Outer Filter Basket	282.27	339.18
6	360365	Motor Unit	904.74	1087.14
7	360366	Front Brush Assembly	14.08	16.92
8	360388	Front Brush Assembly	14.08	16.92
9	360370	Manifold Assembly	19.71	23.68
10	360371	Impeller Cover	9.24	11.10
11	360447	Filter Cover	34.88	41.91
12	360375	Intermediate Cover	19.89	23.90
13	360377	Left Grill	6.31	7.58
14	360378	Right Grill	6.31	7.58
15	360379	Internal Float	5.63	6.77
16	360380	Side Panel	20.40	24.51
17	360382	Bypass Cover, Left	5.63	6.77
18	360383	Bypass Cover, Right	5.63	6.77
19	360384	Rapid Drain Flap	11.27	13.54
20	360385	Handle Assembly	33.47	40.22
21	360388	Front Brush Bushing	14.08	16.92
22	360381	Front Wheel	5.63	6.77
23	360342	Track	39.48	47.44
<b>NOT SHOWN</b>				
	360445	Inner Filter Basket	CALL	CALL
	360363	Cartridge Filter Kit	201.63	242.28
	360449	Net Filter Kit	CALL	CALL
	360340	Impeller	16.95	20.37
	360165	Cleaner Caddy	257.14	308.98



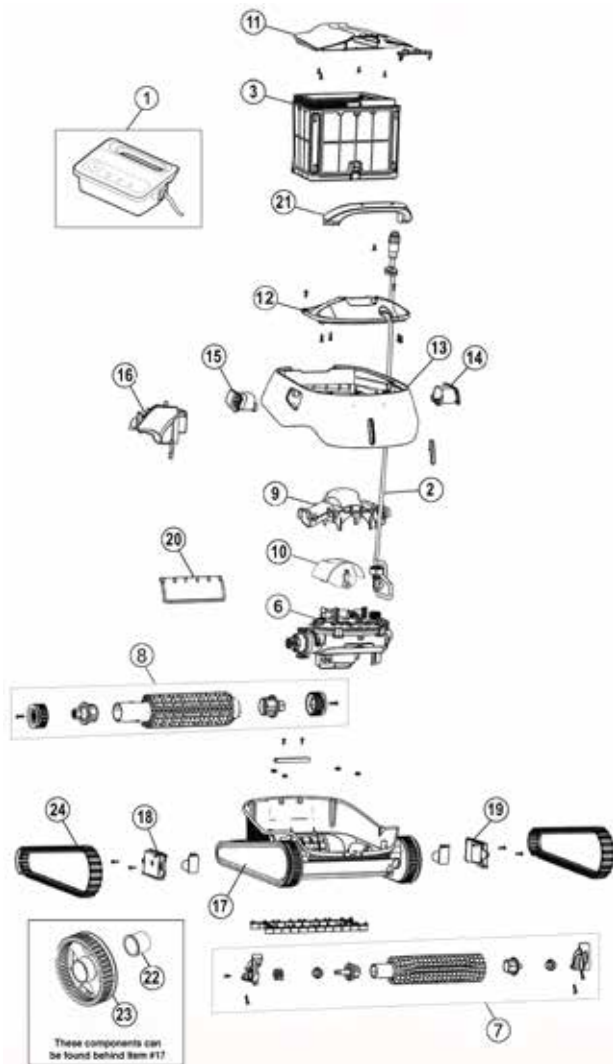
CALIFORNIA PROPOSITION 65 WARNING

⚠️ **WARNING:** Cancer and Reproductive Harm.  
 ⚠️ **AVERTISSEMENT:** Peut Causer le Cancer et des Dommages au Système Reproducteur.  
 ⚠️ **ADVERTENCIA:** Cáncer y Daño Reproductivo.

[www.p65warnings.ca.gov](http://www.p65warnings.ca.gov)
PA2017A

# PENTAIR PROWLER® 920 / WARRIOR® SE

## CLEANER REPLACEMENT PARTS



Item	Part No.	Description		
<b>PROWLER 920/WARRIOR SE</b>				
1	360400	Power Supply	547.03	657.31
2	360361	Communication Cable	176.43	212.00
3	360362	Filter Basket	282.27	339.18
6	360365	Motor Unit	904.74	1087.14
7	360366	Front Brush Assembly	14.08	16.92
8	360367	Rear Brush Assembly	23.72	28.50
9	360370	Manifold Assembly	19.71	23.68
10	360371	Impeller Cover	9.24	11.10
11	360374	Filter Cover	28.39	34.11
12	360375	Intermediate Cover	19.89	23.90
13	360376	External Housing	75.89	91.19
14	360377	Left Grill	6.31	7.58
15	360378	Right Grill	6.31	7.58
16	360379	Internal Float	5.63	6.77
17	360380	Side Panel	20.40	24.51
18	360382	Bypass Cover, Left	5.63	6.77
19	360383	Bypass Cover, Right	5.63	6.77
20	360384	Rapid Drain Flap	11.27	13.54
21	360385	Handle Assembly	33.47	40.22
22	360388	Front Wheel Bushing	14.08	16.92
23	360381	Front Wheel	5.63	6.77
24	360342	Track	39.48	47.44
<b>NOT SHOWN</b>				
	360340	Impeller	16.95	20.37
	360363	Cartridge Filter Kit	201.63	242.28
	360364	Net Filter Kit	108.58	130.47

**CALIFORNIA PROPOSITION 65 WARNING**

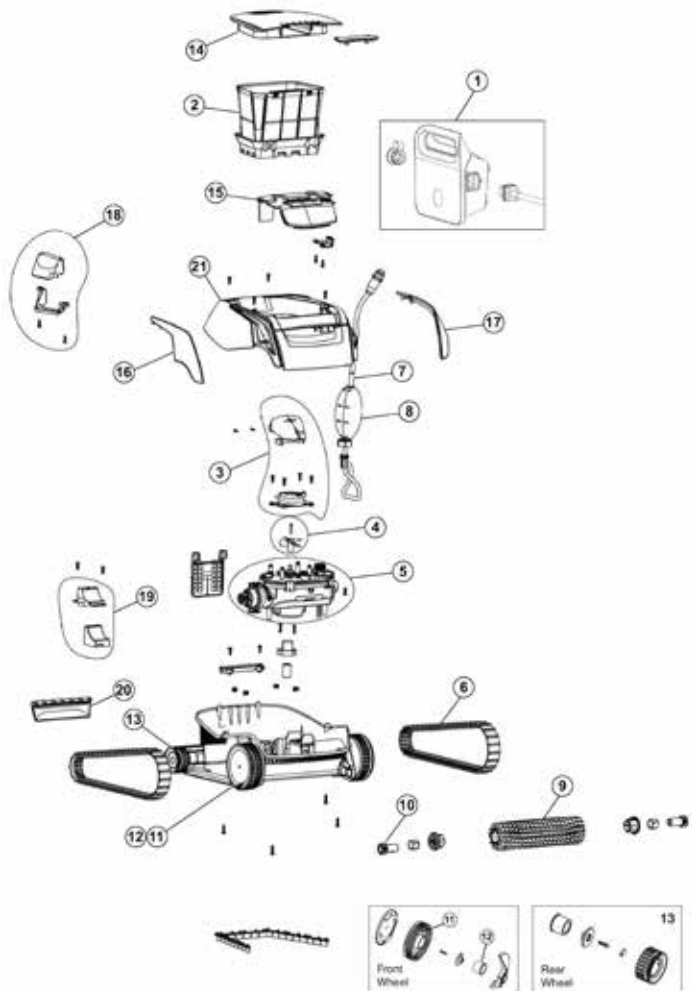
⚠ **WARNING:** Cancer and Reproductive Harm.  
 ⚠ **AVERTISSEMENT:** Peut Causer le Cancer et des Dommages au Système Reproducteur.  
 ⚠ **ADVERTENCIA:** Cáncer y Daño Reproductivo.  
[www.p65warnings.ca.gov](http://www.p65warnings.ca.gov)



# PENTAIR PROWLER® 910 / WARRIOR SL

## CLEANER REPLACEMENT PARTS

Item	Part No.	Description		
<b>PROWLER 910/WARRIOR SL</b>				
1	360337	Power Supply	529.24	635.93
2	360338	Filter Assembly	141.15	169.61
3	360339	Impeller Cover	14.14	16.99
4	360340	Impeller	16.95	20.37
5	360341	Motor Unit	633.54	761.26
6	360342	Track	39.48	47.44
7	360343	Communication Cable	102.93	123.68
8	360344	Cable Float	19.71	23.68
9	360345	Active Brush	16.09	19.33
10	360346	Brush Mounting	11.27	13.54
11	360381	Front Wheel	5.63	6.77
12	360388	Front Wheel Bushing	14.08	16.92
13	360348	Rear Wheel Assembly	21.59	25.94
14	360349	Filter Cover	56.43	67.81
15	360350	Intermediate Cove	CALL	CALL
16	360351	Side Cover, Left	8.44	10.14
17	360352	Side Cover, Right	8.44	10.14
18	360354	Internal Top Float and Housing	5.63	6.77
19	360355	Internal Bottom Float and Housing	5.63	6.77
20	360356	Float Rubber Cover	8.44	10.14
21	360358	External Housing	45.16	54.26

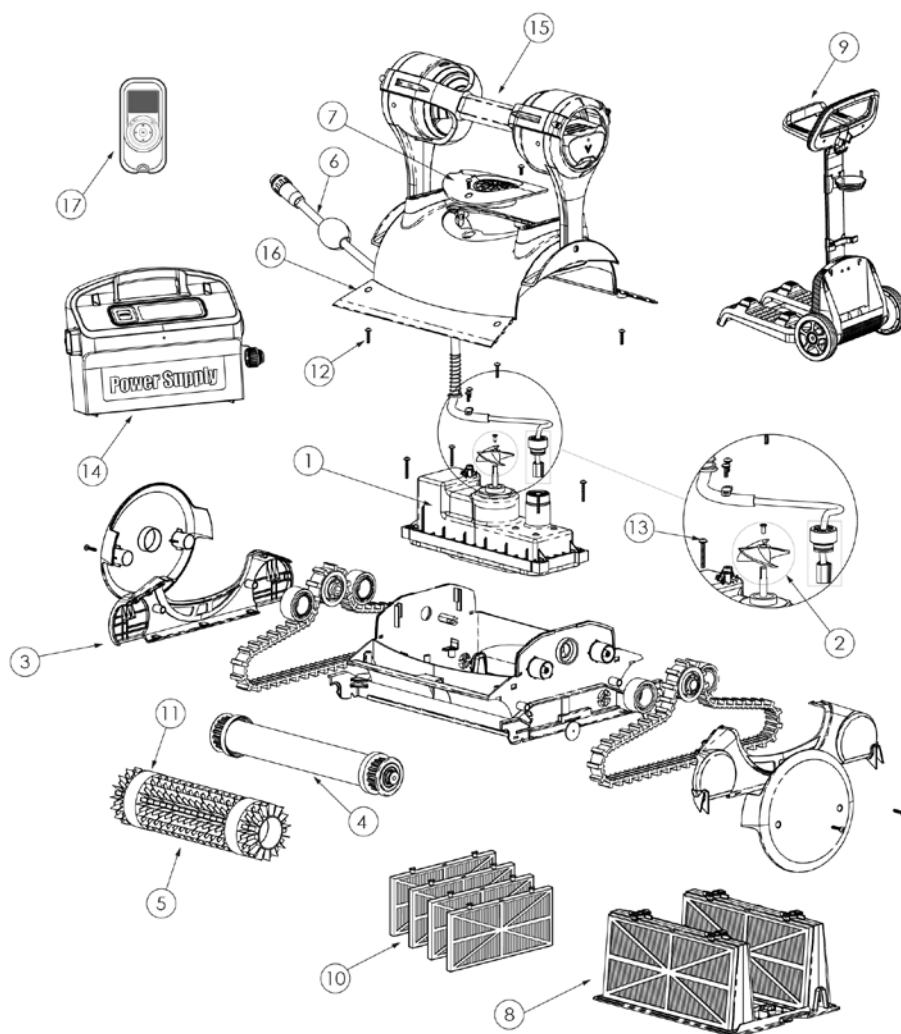


**CALIFORNIA PROPOSITION 65 WARNING**

⚠ **WARNING:** Cancer and Reproductive Harm.  
 ⚠ **AVERTISSEMENT:** Peut Causer le Cancer et des Dommages au Système Reproducteur.  
 ⚠ **ADVERTENCIA:** Cáncer y Daño Reproductivo.  
[www.p65warnings.ca.gov](http://www.p65warnings.ca.gov)

# KREEPY KRAULY® PROWLER® 830

## CLEANER REPLACEMENT PARTS



Item	Part No.	Description	US List	Can. List
<b>PROWLER 830 REPLACEMENT PARTS</b>				
1	360147	Motor - 830	1037.71	1246.91
2	360131	Impeller - 820/830	34.14	41.02
3	360133	Timing track - 820/830	84.18	101.15
4	360135	Wheel tube - 820/830	132.52	159.24
5	360136	Brush - 820/830	103.03	123.80
6	360137	Cable - 820/830	583.51	701.15
7	360139	Prowler impeller cover	13.50	16.22
8	360140	Cartridge assembly - 820/830	285.74	343.35
9	360141	Caddy/Cart	CALL	CALL
10	360123	Spring filter - 820/830	127.56	153.28
11	360142	Climbing ring (4) - 820/830	163.36	196.29
12	360143	Small screw - 820/830	18.87	22.67
13	360144	Large screw - 820/830	18.87	22.67

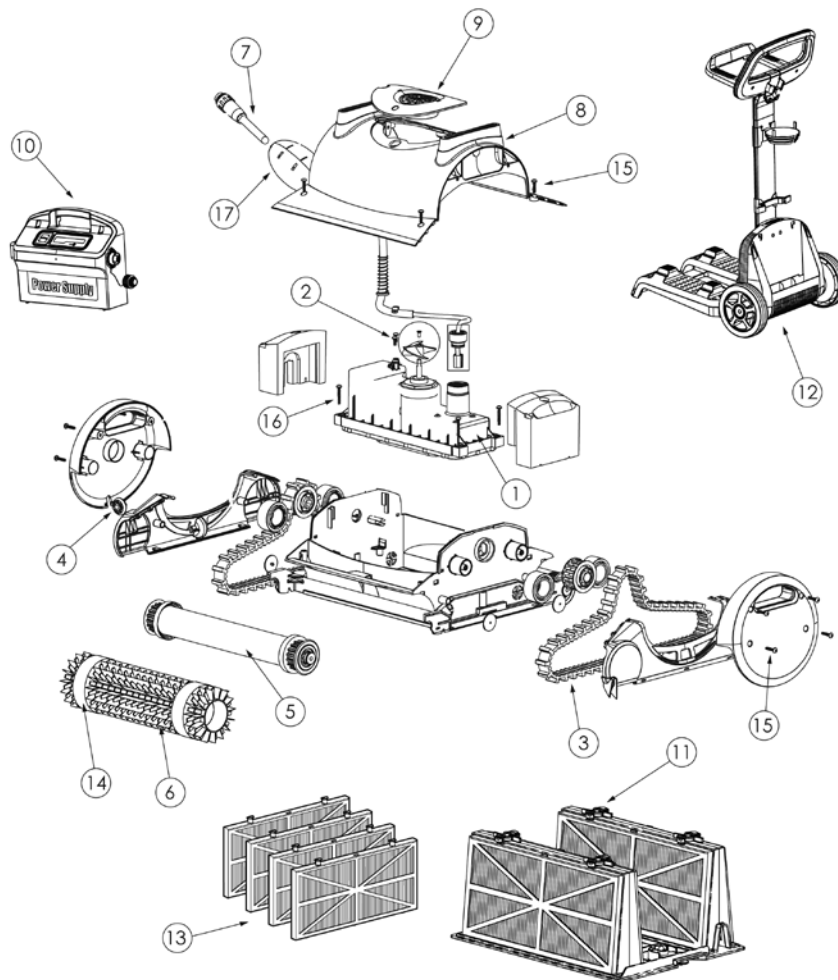
Item	Part No.	Description	US List	Can. List
14	360126	Power supply - 830	579.20	695.97
15	360145	Handle - 830	176.82	212.47
16	360146	Cover - 830	204.06	245.20
17	360149	Remote - 830	325.83	391.52
<b>NOT SHOWN</b>				
	360124	Cartridge Filter Kit - 820/830	210.22	252.60
	360146	Wonder Brush Kit (for slick pool surfaces) - 820/830	204.06	245.20
	360149	Screw Kit Caddy	325.83	391.52
	360157	Foam Float 300CC	6.81	8.18
	360158	Foam Float 500CC	6.81	8.18

**CALIFORNIA PROPOSITION 65 WARNING**

▲ **WARNING:** Cancer and Reproductive Harm.  
 ▲ **AVERTISSEMENT:** Peut Causer le Cancer et des Dommages au Système Reproducteur.  
 ▲ **ADVERTENCIA:** Cáncer y Daño Reproductivo.  
[www.p65warnings.ca.gov](http://www.p65warnings.ca.gov)

# KREEPY KRAULY® PROWLER® 820

## CLEANER REPLACEMENT PARTS



Item	Part No.	Description	US List	Can. List
<b>PROWLER 820 REPLACEMENT PARTS</b>				
1	360132	Motor - 820	882.59	1060.52
2	360131	Impeller - 820/830	34.14	41.02
3	360133	Timing track	84.18	101.15
4	360134	Side wheel - 820	15.81	19.00
5	360135	Wheel tube - 820/830	132.52	159.24
6	360136	Brush - 820/830	103.03	123.80
7	360137	Cable - 820/830	583.51	701.15
8	360138	Case - 820	204.06	245.20
9	360139	Impeller cover	13.50	16.22
10	360125	Power supply - 820	579.20	695.97
11	360140	Cartridge assembly - 820/830	285.74	343.35

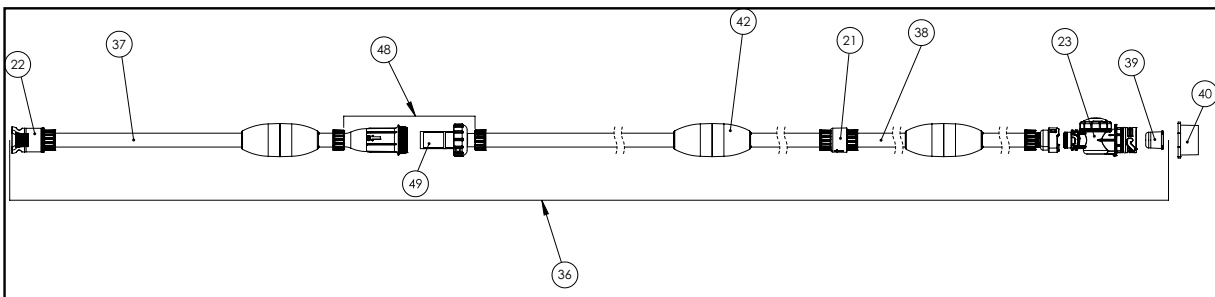
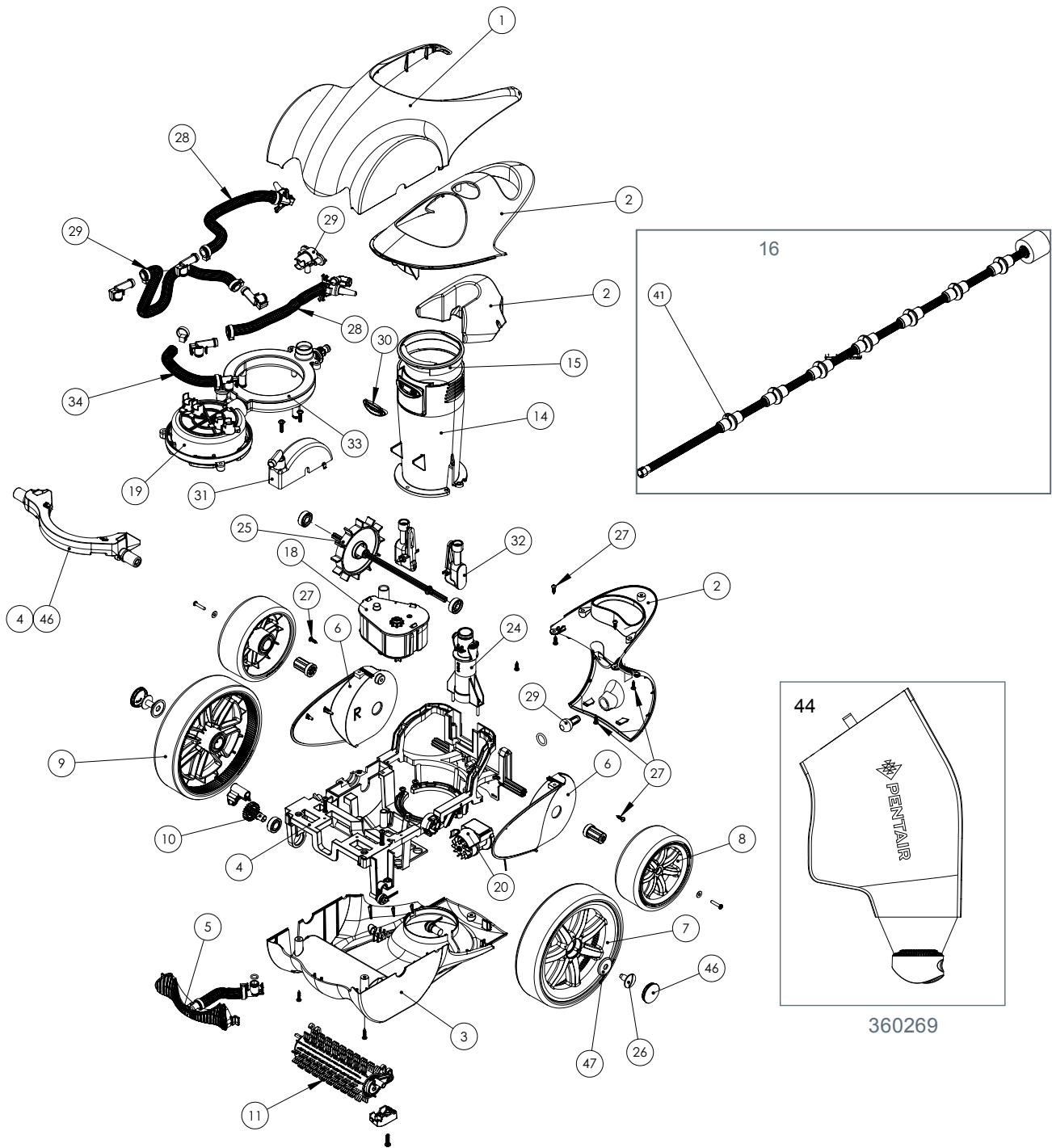
Item	Part No.	Description	US List	Can. List
12	360141	Caddy	CALL	CALL
13	360123	Spring filter - 820/830	127.56	153.28
14	360142	Climbing ring (4) - 820/830	163.36	196.29
15	360143	Small screw - 820/830	18.87	22.67
16	360144	Large screw - 820/830	18.87	22.67
17	360150	Float Kit - 820	436.37	524.34
<b>NOT SHOWN</b>				
	360124	Cartridge Filter Kit - 820/830	210.22	252.60
	360148	Wonder Brush Kit (for slick pool surfaces) - 820/830	533.40	640.93

**CALIFORNIA PROPOSITION 65 WARNING**

⚠ **WARNING:** Cancer and Reproductive Harm.  
 ⚠ **AVERTISSEMENT:** Peut Causer le Cancer et des Dommages au Système Reproducteur.  
 ⚠ **ADVERTENCIA:** Cáncer y Daño Reproductivo.  
[www.p65warnings.ca.gov](http://www.p65warnings.ca.gov)

# PENTAIR RACER® PRESSURE SIDE CLEANER

## CLEANER REPLACEMENT PARTS



# PENTAIR RACER® PRESSURE SIDE CLEANER (CONT'D)

## CLEANER REPLACEMENT PARTS

Item	Part No.	Description	US List	Can. List
<b>RACER REPLACEMENT PARTS</b>				
1	360229	Top Front Cover Kit	46.01	55.29
2	360230	Rear Cover Kit	66.67	80.11
3	360231	Bottom Cover Kit	23.00	27.64
4	360391	Chassis Kit w/Tie Bar	68.82	82.69
5	360233	Front Grill Kit	19.85	23.85
6	360234	Side Covers Kit	26.65	32.02
7	360235	Large Wheel Kit	50.56	60.75
8	360236	Small Wheel Kit	72.63	87.27
9	360237	Large Tires Kit	53.19	63.91
10	360238	Scrubber Gear Kit	15.58	18.72
11	360239	Scrubber Kit	72.29	86.86
12*	360240	Debris Bag Kit (w/o collar), hook and loop fastener	52.38	62.94
13*	360241	Debris Bag Collar Kit	CALL	CALL
14	360242	Vacuum Tube Kit	40.33	48.46
15	360243	Debris Valve Kit	6.87	8.25
16	360244	Sweep Hose Kit	62.05	74.56
17	360245	Sweep Hose Scrubber Kit	15.49	18.61
18	360246	Gear Box Kit	48.36	58.11
19	360247	Timer Valve Kit	83.26	100.05
20	360248	LED Kit	179.83	216.08
21	360249	Feedline Swivel Kit (incl. (swivel -1) (Mender Nut - 2)	58.04	69.74
22	360250	Feedline Quick Connector to cleaner Kit (mender nut, swivel and connector)	28.64	34.41
23	360251	Feedline Wall Connector Kit (wall fitting w/2 O-rings)	40.62	48.81
24	360252	Feed Mast Kit (feed tube, oring & 2 screws)	10.96	13.17
25	360253	Drive Shaft Kit (drive shaft & 2 bearings)	26.05	31.30
26	LLC55PMB	Wheel Screw Kit	5.70	6.85
27	360255	Screw Kit (11 1/2", 4 5/8", 9 machine & 2 1")	12.56	15.09
28	360256	Turn Jet Hose Kit (R & L hose assembly)	34.47	41.42
29	360257	Rear Thrust Jet Hose Kit (thrust jet assembly & 2 5/8" screws)	23.57	28.32
30	360258	Rubber Button Kit (rubber button)	1.66	1.99
31	360414	Turbine Kit	23.27	27.96
32	360260	Venturi manifold Kit	17.85	21.45
33	360261	Water Management Kit	31.30	37.61
34	360262	Turbine Hose Kit	12.71	15.27

Item	Part No.	Description	US List	Can. List
35	360263	See Racer Tune-Up Kit below	183.90	220.97
36	360264	Feed Line Hose Kit Complete	383.05	460.27
37	360265	Soft Feed Line Hose Kit 10'	108.13	129.93
38	360266	Hard Feed Line Hose Kit 10'	117.03	140.62
39	E24	Debris Screen	11.78	14.15
40	LL23PM	Threaded Wall Adapter	11.29	13.57
41	EB10G	Sweep Hose Wear Ring	14.89	17.89
42	360270	Feed Line Float	CALL	CALL
43*	360268	Feed Line O-Ring Kit (1 - 017, 1 - 020, 6 - 011, 1 - 012, 1 - 027 & 1 - 220)	8.86	10.65
44	360269	Debris Bag w/Mechanical Lock	CALL	CALL
45*	360274	Wheel Hump Insert Kit	22.19	26.66
46	360434	Axle Kit	40.51	48.68
47	EC64	Wheel Washer Kit	6.98	8.39
48	360392	Inline Filter Kit	46.93	56.39
49	360437	Replacement Screen Cartridge	5.79	6.96

### INCLUDED IN RACER TUNE-UP KIT

35	360263	Kit Includes:  Bag (1), Driveshaft (1), Wheel Bearings (4), Drive-shaft Bearings (2), Scrubber Bearing (1), Large Tires (2), Scrubber (1), Small Wheel (2), Needle Bearing (2), Wheel Screws (2), 1/2" Screws (2), Hub-caps (2)	183.90	220.97
----	--------	---	--------	--------

### NOT SHOWN

360320	Quick Disconnect Hose Connector Kit	4.64	5.58
--------	-------------------------------------	------	------

Note: (\*) Not shown

<sup>1</sup> If cleaner was manufactured before 01/15/16, replacement of Item #33 360261 Water Management Tub will be required

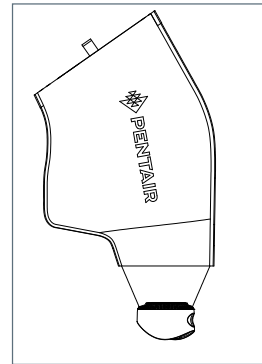
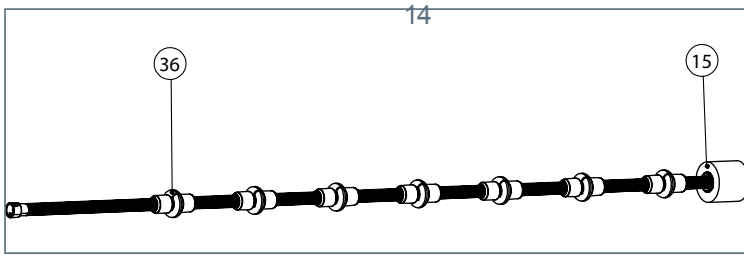
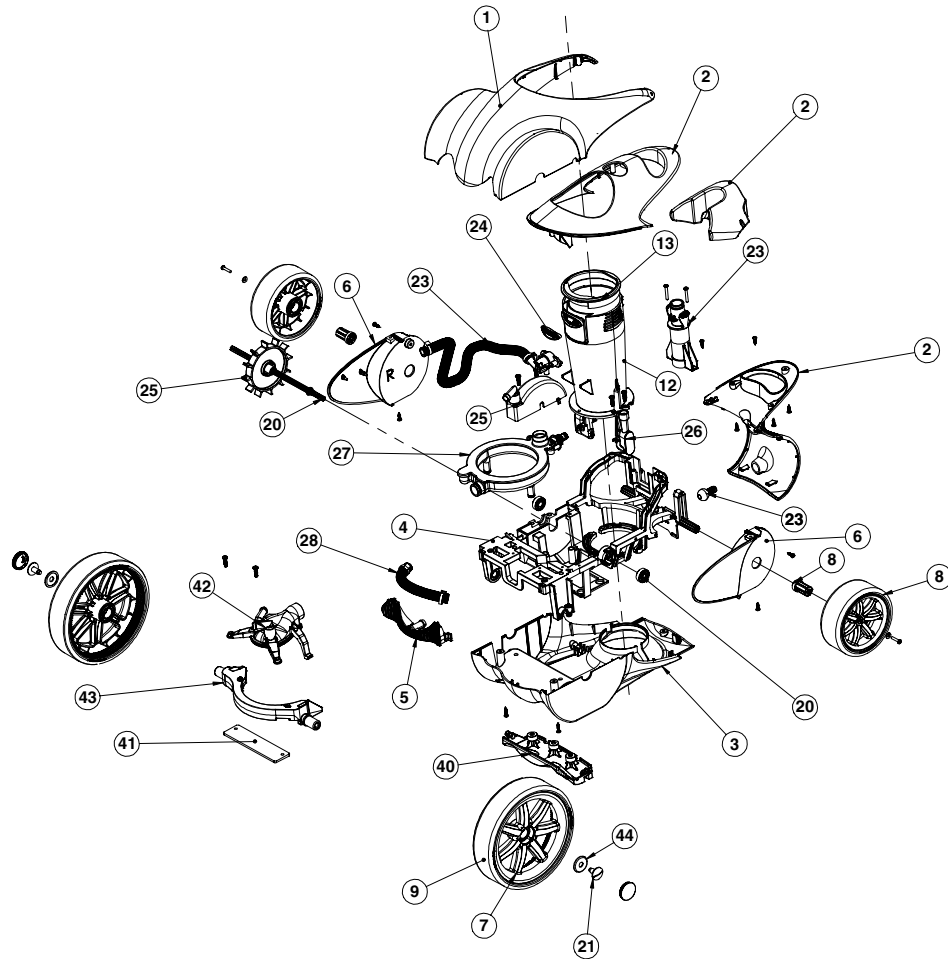
CALIFORNIA PROPOSITION 65 WARNING

⚠ **WARNING:** Cancer and Reproductive Harm.  
 ⚠ **AVERTISSEMENT:** Peut Causer le Cancer et des Dommages au Système Reproducteur.  
 ⚠ **ADVERTENCIA:** Cáncer y Daño Reproductivo.

[www.p65warnings.ca.gov](http://www.p65warnings.ca.gov)

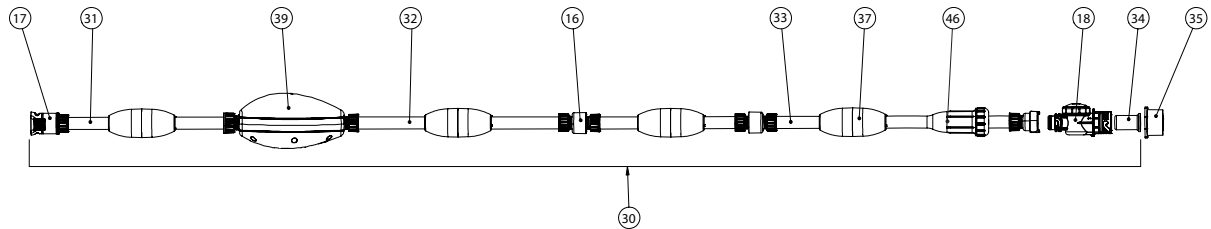
# PENTAIR RACER® LS PRESSURE SIDE CLEANER

## CLEANER REPLACEMENT PARTS



11

360241



CALIFORNIA PROPOSITION 65 WARNING

▲ **WARNING:** Cancer and Reproductive Harm.  
 ▲ **AVERTISSEMENT:** Peut Causer le Cancer et des Dommages au Système Reproducteur.  
 ▲ **ADVERTENCIA:** Cáncer y Daño Reproductivo.

[www.p65warnings.ca.gov](http://www.p65warnings.ca.gov)



# PENTAIR RACER® LS PRESSURE SIDE CLEANER (CONT'D)

## CLEANER REPLACEMENT PARTS

Item	Part No.	Description	US List	Can List
<b>RACER LS REPLACEMENT PARTS</b>				
1	360422	Top Front Cover Kit	45.85	55.09
2	360425	Rear Cover Kit	44.93	53.99
3	360424	Bottom Cover Kit	17.59	21.14
4	360427	Chassis Kit	CALL	CALL
5	360426	Grill Kit	6.07	7.29
6	360423	Side Covers Kit	28.47	34.21
7	360235	Large Wheel Kit	50.56	60.75
8	360236	Small Wheel Kit	72.63	87.27
9	360237	Large Tires Kit	53.19	63.91
10*	360240	Debris Bag Kit (w/o collar), hook and loop fastener	52.38	62.94
11	360241	Debris Bag Collar Kit	CALL	CALL
12	360242	Vacuum Tube Kit	40.33	48.46
13	360243	Debris Valve Kit	6.87	8.25
14	360244	Sweep Hose Kit	62.05	74.56
15	360245	Sweep Hose Scrubber Kit	15.49	18.61
16	360249	Feedline Swivel Kit	58.04	69.74
17	360250	Feedline Quick Connector Kit	28.64	34.41
18	360251	Feedline Wall Connector Kit	40.62	48.81
19	360252	Feedline Connector Kit	10.96	13.17
20	360253	Drive Shaft Kit	26.05	31.30
21	LLC55PMB	Wheel Screw Kit	5.70	6.85
22*	360255	Screw Kit	12.56	15.09
23	360419	Thrust Hose Kit	14.76	17.74
24	360258	Rubber Button Kit	1.66	1.99
25	360414	Turbine Housing Kit	23.27	27.96
26	360260	Venturi Manifold Kit	17.85	21.45
27	360416	Water Management Kit	15.52	18.65
28	360420	Turbine Hose Kit	7.35	8.83
29	360417	Tune Up Kit	163.65	196.64
30	360431	Hose Assy	398.66	479.03
31	360429	Leader Hose, 2.5 Ft.	43.17	51.87
32	360430	Leader Hose 7.5 Ft.	68.69	82.54
33	360266	Hard Feedline Hose Kit, 10 Ft.	117.03	140.62
34	E24	Debris Screen	11.78	14.15
35	LL23PM	Threaded Wall Adapter	11.29	13.57
36	EB10G	Sweep Hose Wear Ring	14.89	17.89
37	360270	Feed Line Float	CALL	CALL
38*	360268	Feed Line O-Ring Kit	8.86	10.65

Item	Part No.	Description	US List	Can List
39	360428	Backup Valve Kit	103.67	124.57
40	360421	Scrubber Cover Kit	24.21	29.09
41	360418	SS Weight Kit	11.27	13.54
42	360415	Manifold Kit	48.30	58.04
43	360434	Axle Replacement Kit	40.51	48.68
44	EC64	Wheel Washer Kit	6.98	8.39
45*	360436	Sweep Hose Cap	9.70	11.66
46	360392	In-Line Filter Assembly	46.93	56.39
47*	360437	Replacement In-line Filter Screen Kit	5.79	6.96
*	360320	Quick Disconnect Hose Connector Kit	4.64	5.58
<b>INCLUDED IN RACER LS TUNE-UP KIT</b>				
29	360417	Kit Includes: Bag (1), Driveshaft (1), Wheel Bearings (4), Driveshaft Bearings (2), Scrubber Bearing (1), Large Tires (2), Scrubber (1), Small Wheel (2), Needle Bearing (2), Wheel Screws (2), 1/2" Screws (2), Hubcaps (2)	163.65	196.64

Note: (\*) Not shown

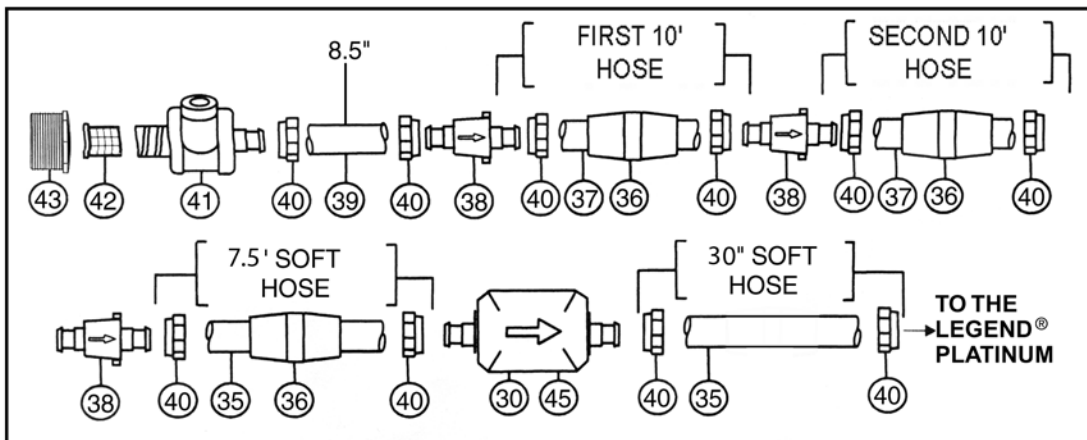
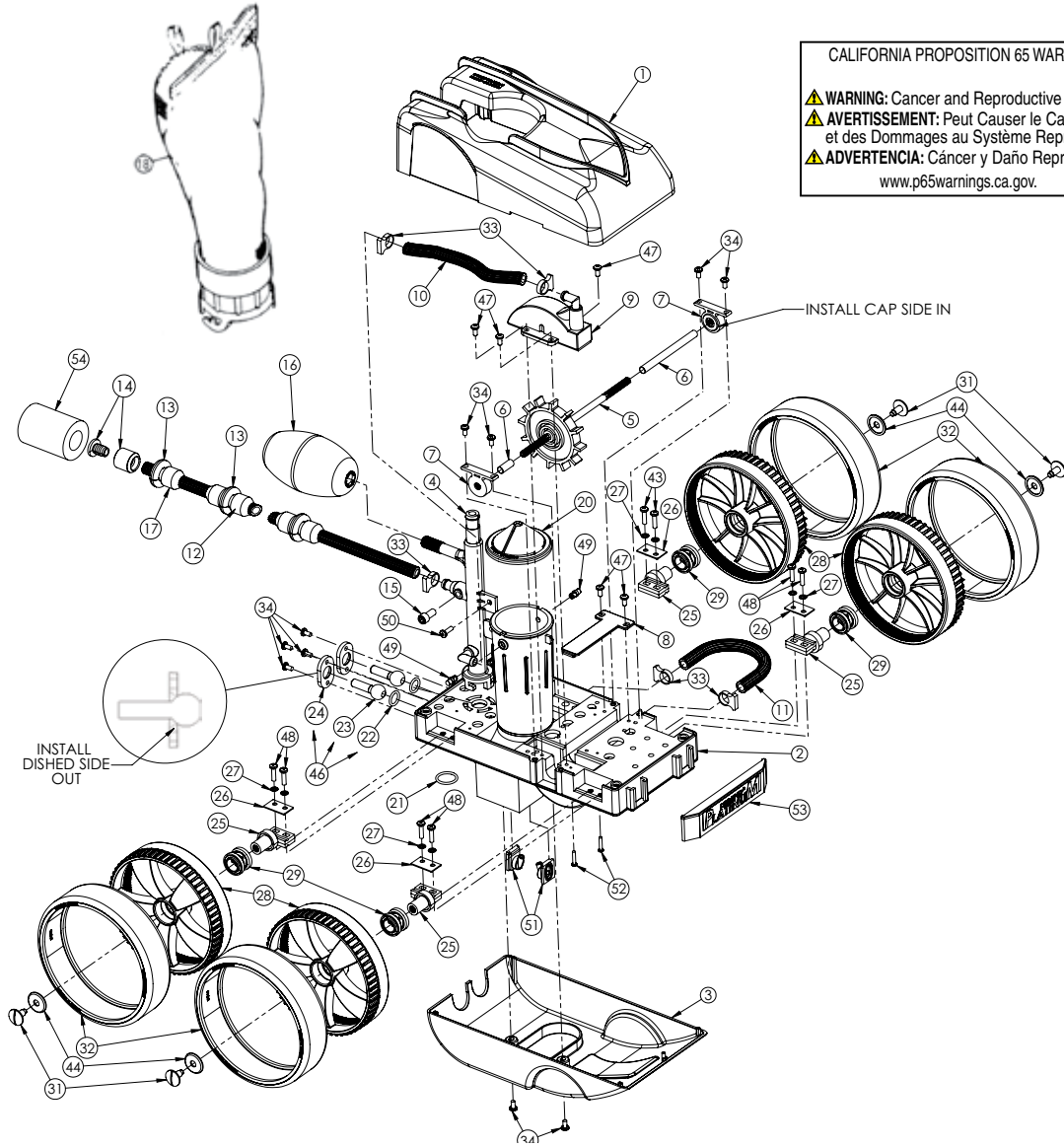
CALIFORNIA PROPOSITION 65 WARNING

▲ **WARNING:** Cancer and Reproductive Harm.  
▲ **AVERTISSEMENT:** Peut Causer le Cancer et des Dommages au Système Reproducteur.  
▲ **ADVERTENCIA:** Cáncer y Daño Reproductivo.

www.p65warnings.ca.gov. PR030714A

# KREEPY KRAULY® PLATINUM™

## CLEANER REPLACEMENT PARTS - 2012 MODEL





# KREEPY KRAULY® PLATINUM™ (CONT'D)

## CLEANER REPLACEMENT PARTS - 2012 MODEL

Item	Part No.	Qty.	Description	US List	Can. List
<b>PLATINUM REPLACEMENT PARTS</b>					
1	LLU5PM	1	Top Cover - Gray	141.28	169.76
2	LLU145N	1	Main Frame - White	1558.79	1873.04
2	LLU145NG	1	Main Frame - Gray	CALL	CALL
3	EU10N	1	Bottom Cover - White	79.44	95.46
3	LLU10NG	1	Bottom Cover - Gray	79.44	95.46
4	LLU6	1	Feed Mast with O-Ring - White	55.49	66.68
4	LLU6G	1	Feed Mast with O-Ring - Gray	67.45	81.05
5	EC86	1	Turbine Drive Shaft - Complete	43.34	52.08
6	EC83	1	Turbine Spacers	3.12	3.75
7	EC80	2	Turbine Bearings - Gray	42.41	50.96
8	EA40	1	Turbine Shaft Shield - White	9.55	11.48
8	LLA40G	1	Turbine Shaft - Gray	CALL	CALL
9	EC110	1	Turbine Shaft w/ Elbow - White	15.83	19.02
9	LLC110PM	1	Turbine Cover w/ Elbow - Gray	CALL	CALL
10	EX120	1	Turbine Cover Hose - 9 in. White	CALL	CALL
10	LLX120	1	Turbine Cover Hose - 9 in. - Gray	CALL	CALL
11	EC120	1	Venturi Jet - 73/4 in. - White	2.25	2.70
11	LLC120G	1	Venturi Jet - 73/4 in. - White	3.12	3.75
12	EB5L	1	Sweep Hose Complete - White	42.22	50.73
12	LLB5G	1	Sweep Hose Complete - Gray	62.32	74.88
13	EB10G	5	Sweep Hose - Wear Ring	14.89	17.89
14	EB25	1	Sweep Hose -Jet w/ Collar - White	4.47	5.37
14	LLB25PM	1	Sweep Hose - Jet w/ Collar - Gray	9.24	11.10
15	EB20	1	Sweep Hose Adj. Screw - White	3.62	4.35
15	LLB20G	1	Sweep Hose Adj. Screw - Gray	CALL	CALL
16	EA20	1	Ballast Float - White	CALL	CALL
16	LLA20G	1	Ballast Float - Gray	10.24	12.30
17	EH07	4	Sweep Hose - Hose Sleeve - White	5.80	6.97
17	LLH07PM	4	Sweep Hose - Hose Sleeve - Gray	7.88	9.47
18	EU15	1	Coarse Mesh Bag - Blue/White Collar	60.01	72.11
18	EU15G	1	Coarse Mesh Bag - Blue/Gray Collar	61.02	73.32
18	EU16	1	Fine Mesh Bag - Velcro Brand Fastner	47.10	56.60
18	EU16G	1	Fine Mesh Bag - Velcro Brand Fastner - Gray	53.58	64.38
19	360002	1	Fine Mesh Bag - White Collar	60.89	73.17
19	360009	1	Fine Mesh Bag - Gray Collar	60.90	73.18
20	EU9	1	Debris Valve	4.39	5.28
21	EU7	2	O-Ring for Feed Mast	1.90	2.28
22	E18	2	O-Ring for Thrust Jet	3.27	3.93
23	360027	2	Thrust Jets - White	CALL	CALL
23	360028	2	Thrust Jets - Gray	CALL	CALL
24	EC135	2	Thrust Jet Plates - White	6.38	7.67
24	LLC135G	2	Thrust Jet Plates - Gray	13.48	16.20
25	EC65	4	Axle - Large Wheels	5.96	7.16
26	EC70	8	Axle Plate	2.41	2.90
27	EC45	4	Axle - Lock Washer	3.87	4.65
28	370406Z	4	Wheel w/out Bearings - Gray	48.35	58.10
29	EC60	2	Wheel Bearings Only - White	23.43	28.15
30	E10	1	Back-Up Valve - White	115.96	139.34
30 *	LL10PM	1	Back-Up Valve - Gray	119.28	143.33
31	MC55G	5	Wheel Screw - Gray	CALL	CALL
32	370405Z	1	Wheel - Rubber Tire - Black	30.92	37.15
33	EB15	5	Hose Clamp	3.33	4.00

Item	Part No.	Qty.	Description	US List	Can. List
34	EC40	8	Screw	3.59	4.31
35	LLD50	1	Feed Hose - Clear soft 10 ft.	CALL	CALL
35 *	LLD50PM	1	Feed Hose - Gray soft 10 ft.	62.58	75.20
36	ED10P	10	Float For Feed Hose - White	8.22	9.88
36 *	LLD10PM	10	Float For Feed Hose - Gray	10.10	12.14
37	LLD45	2	Feed Hose - 10 ft. - White	35.35	42.48
37 *	LLD45PM	2	Feed Hose - 10 ft. - Gray	80.27	96.45
38	ED05	2	Swivel - Feed Hose - White	18.04	21.68
38 *	LLD05PM	2	Swivel - Feed Hose - Gray	26.33	31.64
39	LLU1	1	Adapter Hose 8 1/2 in. - White	6.38	7.67
39	LLU1PM	1	Adapter Hose 8 1/2 in. - Gray	7.16	8.60
40	ED15	8	Mender Nut - plastic - White	9.43	11.33
40 *	LLD15PM	8	Mender Nut - plastic - Gray	5.79	6.96
41 *	LLW22PM	1	Wall Fitting - Gray	59.79	71.84
41	EW22	1	Wall Fitting - White	43.23	51.95
41	LL25PM	1	Pressure Relief Valve - Gray	17.54	21.08
41	E25	1	Pressure Relief Valve - White	16.95	20.37
42	E24	1	Screen - Wall Fitting	11.78	14.15
43	LL23PM	1	Quick Disconnect Adapter - Gray	11.29	13.57
43	E23	1	Quick Disconnect Adapter - White	5.70	6.85
44	EC64	2	Wheel - Plastic Washer	6.98	8.39
45	EG15	1	Gears - for Back-Up Valve	99.00	118.96
46	360127	1	Thrust Jet Repair Kit includes: (White) E18, EC130, EC135	CALL	CALL
46	360128	1	Thrust Jet Repair Kit includes: (Gray) E18, EC130G, LLC135G	CALL	CALL
47	EA30	5	Screw for EA40 or LLA40G and EC110 or LLC110PM	2.64	3.17
48	EU76	8	Axle Bolt	3.82	4.59
49	EU147	2	Snap Fit Vac Tube Posts - White	7.02	8.44
49	LLU147G	2	Snap Fit Vac Tube Posts - Gray	7.55	9.07
50	EU79	1	Nut & Bolt - Feed Mast to Vac Tube	6.78	8.15
51	EU80	2	Venturi Jet - White	5.61	6.74
51	LLU8G	2	Venturi Jet - Gray	17.02	20.45
52	EU80	2	Screw - Cover to Frame	5.61	6.74
53	LLU81PM	1	Front Bumper - White	28.79	34.59
53	LLU81PMG	1	Front Bumper - Gray	34.35	41.27
54	370017	1	Sweep Hose - Scrubber	3.69	4.43
<b>NOT SHOWN</b>					
	JVP8		Pressure Stick w/o Gauge	36.08	43.35
	15060-0000T		Pressure Gauge for JVP8	47.86	57.51
	LL209		Complete Hose Kit, White	386.85	464.84
	LL209PMG		Complete Hose Kit, Gray	706.52	848.95

\* Recommended for stock.

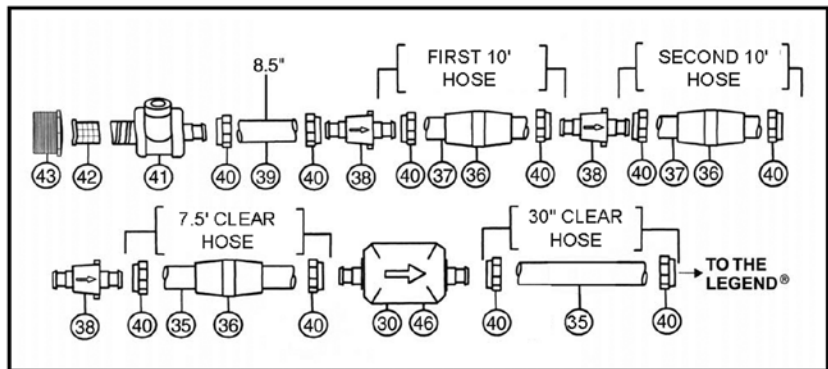
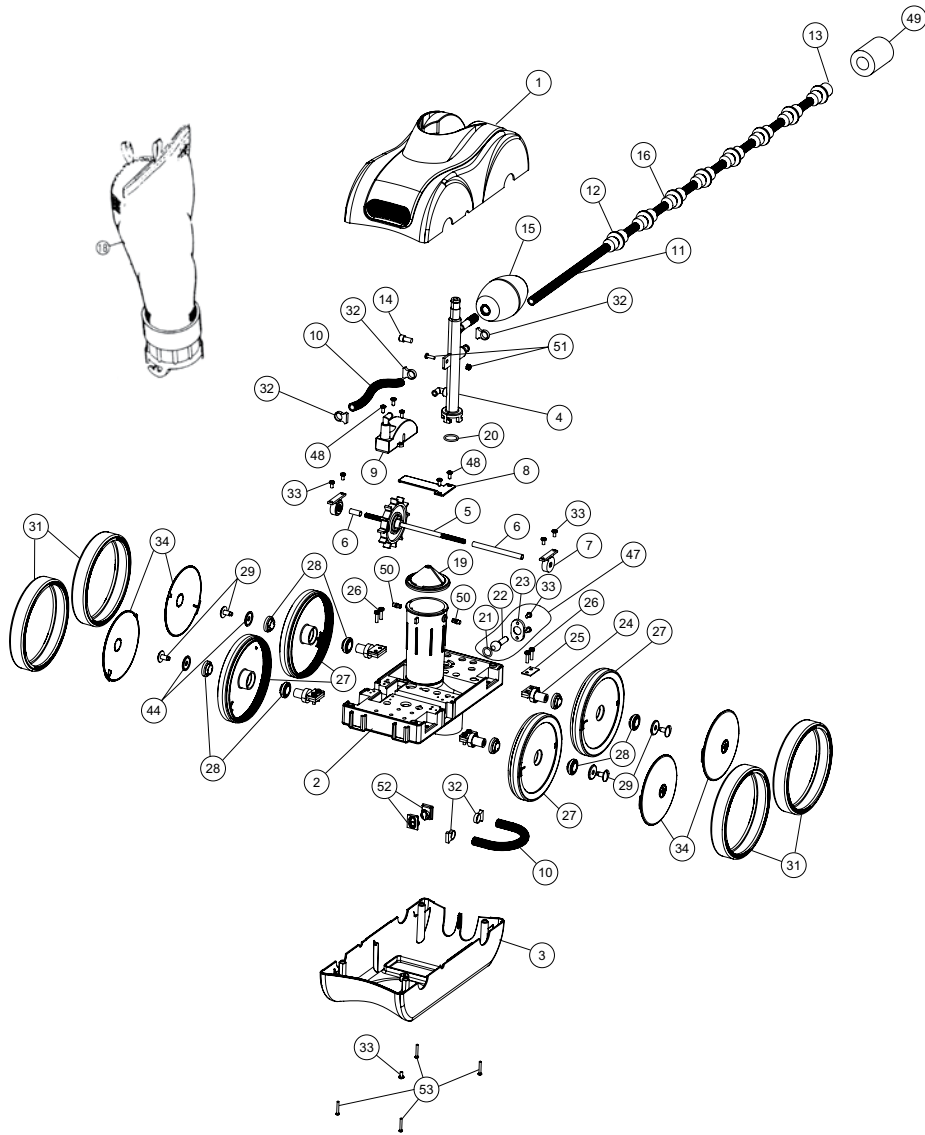
CALIFORNIA PROPOSITION 65 WARNING

⚠ **WARNING:** Cancer and Reproductive Harm.  
⚠ **AVERTISSEMENT:** Peut Causer le Cancer et des Dommages au Système Reproducteur.  
⚠ **ADVERTENCIA:** Cáncer y Daño Reproductivo.

[www.p65warnings.ca.gov](http://www.p65warnings.ca.gov)
P65007A

# KREEPY KRAULY® LEGEND®

## LL505G AND LL505GG CLEANER REPLACEMENT PARTS



**CALIFORNIA PROPOSITION 65 WARNING**

⚠ **WARNING:** Cancer and Reproductive Harm.  
 ⚠ **AVERTISSEMENT:** Peut Causer le Cancer et des Dommages au Système Reproducteur.  
 ⚠ **ADVERTENCIA:** Cáncer y Daño Reproductivo.  
[www.p65warnings.ca.gov](http://www.p65warnings.ca.gov)

# KREEPY KRAULY® LEGEND® (CONT'D)

## LL505G AND LL505GG CLEANER REPLACEMENT PARTS

Item	Part No.	Qty.	Description	US List	Can List
<b>LEGEND 4 WHEEL REPLACEMENT PARTS</b>					
1	360003	1	Top Cover	104.42	125.47
2	LLU145N	1	Main Frame	1558.79	1873.04
2	360010	1	Main Frame - Gray	1229.06	1476.84
3	360004	1	Bottom Cover	76.38	91.78
3	360011	1	Bottom Cover - Gray	76.41	91.81
4	LLU6	1	Feed Mast w/ O-Ring - White	55.49	66.68
4	LLU6G	1	Feed Mast w/ O-Ring - Gray	67.45	81.05
5	EC86	1	Turbine Drive Shaft - Complete	43.34	52.08
6	EC83	2	Turbine Spacers	3.12	3.75
7	EC80	2	Turbine Bearings	42.41	50.96
8	EA40	1	Turbine Shaft Shield	9.55	11.48
9	EC110	1	Turbine Cover w/ Elbows	15.83	19.02
10	EC120	2	Turbine/Venturi Hose 7-3/4 in. length	2.25	2.70
10	LLC120G	2	Turbine/Venturi Hose 7-3/4 in. length - Gray	3.12	3.75
11	EB5L	1	Sweep Hose - Complete	42.22	50.73
11	LLB5G	1	Sweep Hose - Complete - Gray	62.32	74.88
12	EB10	9	Sweep Hose - Wear Ring	14.88	17.88
13	EB25	1	Sweep Hose - Jet w/ Collar	4.47	5.37
13	LLB25PM	1	Sweep Hose - Jet w/ Collar - Gray	9.24	11.10
14	370198	1	Sweep Hose - Adjustment Screw	3.44	4.13
15	EA20	1	Ballast Float	7.05	8.47
15	LLA20G	1	Ballast Float - Gray	10.24	12.30
16	EH07	1	Sweep Hose - Hose Sleeve	5.80	6.97
16	LLH07PM	4	Sweep Hose - Hose Sleeve - Gray	7.88	9.47
17	EU15	1	Coarse Mesh Bag - Blue (Optional - not shown)	60.01	72.11
17	EU15G	1	Coarse Mesh Bag - Blue/Gray Collar (Optional - not shown)	61.02	73.32
18	360002	1	Fine Mesh Bag - Mechanical Lock	60.89	73.17
18	360009	1	Fine Mesh Bag - Gray - Mechanical Lock	60.90	73.18
18	EU16	1	Fine Mesh Bag - Velcro Brand Fastener	47.10	56.60
18	EU16G	1	Fine Mesh Bag - Velcro Brand Fastener - Gray	53.58	64.38
19	EU9	1	Debris Valve	4.39	5.28
20	EU7	1	O-Ring for Feed Mast	1.90	2.28
21	E18	1	O-Ring for Thrust Jet	3.27	3.93
22	EC130	1	Thrust Jet	14.99	18.01
23	EC135	1	Thrust Jet - Plate	6.38	7.67
23	LLC135G	1	Thrust Jet - Plate - Gray	13.48	16.20
24	EC65	4	Axle - Large Wheels	5.96	7.16
25	EC70	4	Axle Plate	2.41	2.90
26	370258Z	8	Axle Screw w/ Lock Washer	5.83	7.01
27	360006	4	Wheel w/out Bearings	18.49	22.22
28	EC60	8	Wheel Bearings - Only	23.43	28.15
29	EC55	4	Wheel Screw Plastic	11.86	14.25
29	LLC55PM	4	Wheel Screw Plastic - Gray	12.87	15.46
30	E10	1	Back-up Valve	115.96	139.34
30	LL10PM	1	Back-up Valve - Gray	119.28	143.33
31	360007	4	Wheel - Rubber Tire	15.21	18.28
31	360012	4	Wheel - Gray Tire	15.20	18.26
32	EB15	5	Hose Clamp	3.33	4.00
33	EC40	7	Screw	3.59	4.31

Item	Part No.	Qty.	Description	US List	Can List
34	360005	4	Hub Cap	5.43	6.52
34	360013	4	Hub Cap - Gray	5.43	6.52
35	LD50	1	Feed Hose - Soft - 10 ft.	CALL	CALL
35	LLD50PM	1	Feed Hose - Gray Soft - 10 ft.	62.58	75.20
36	ED10P	10	Float - Feed Hose	8.22	9.88
36	LLD10PM	10	Float - Feed Hose - Gray	10.10	12.14
37	LD45	2	Feed Hose - White - 10 ft.	36.53	43.89
37	LLD45PM	2	Feed Hose - Gray - 10 ft.	80.27	96.45
38	ED05	2	Swivel - Feed Hose	18.04	21.68
38	LLD05PM	2	Swivel - Feed Hose - Gray	26.33	31.64
39	LLU1	1	Adapter Hose - White 8-1/2 in.	6.38	7.67
39	LLU1PM	1	Adapter Hose - White 8-1/2 in. - Gray	7.16	8.60
40	ED15	8	Mender Nut - Plastic - Feed Hose	9.43	11.33
40	LLD15PM	8	Mender Nut - Plastic - Feed Hose - Gray	5.79	6.96
41	EW22	1	Wall Fitting Complete	43.23	51.95
41	LLW22PM	1	Wall Fitting - Gray Complete	59.79	71.84
41	E25	1	Pressure Relief Valve - White	16.95	20.37
41	LL25PM	1	Pressure Relief Valve - Gray	17.54	21.08
42	E24	1	Screen - Wall Fitting	11.78	14.15
43	E23	1	Quick Disconnect Adapter	5.70	6.85
43	LL23PM	1	Quick Disconnect Adapter - Gray	11.29	13.57
44	EC64	4	Wheel - Plastic Washer	6.98	8.39
-	EH09C	1	Sweep Hose Weight (Optional - not shown)	18.48	22.21
46	EG15	1	Gears - for Back-Up Valve	99.00	118.96
47	EC131	1	Thrust Jet Repair Kit - Includes: EC130, EC135 and E18	7.74	9.30
47	360014	1	Thrust Jet Repair Kit - Includes: EC130, LLC135 and E19	27.55	33.10
48	EA30	5	Screw for EA40 and EC110	2.64	3.17
49	370017	1	Sweep Hose - Scrubber	3.69	4.43
50	EU147	2	Snap Fit Vac Tube Posts	7.02	8.44
50	LLU147G	2	Snap Fit Vac Tube Posts - Gray	7.55	9.07
51	EU79	1	Nut & Bolt - Feed Mast to Vac Tube	6.78	8.15
52	LLU8	2	Venturi Jets	13.91	16.71
52	LLU8G	2	Venturi Jets - Gray	17.02	20.45
53	EU80	4	Screw - Top and Bottom Cover	5.61	6.74
<b>ACCESSORIES</b>					
	EH09C	1	Sweep Hose Weight (Optional)	18.48	22.21
	LL209	1	Legend Hose Kit	386.85	464.84
	370017	1	Sweep Hose Scrubber	3.69	4.43
	JVP8	1	Pressure Stick w/o Gauge	36.08	43.35
	15060-0000T	1	Pressure Gauge	47.86	57.51
	EU13	1	Step Deflector	91.40	109.83

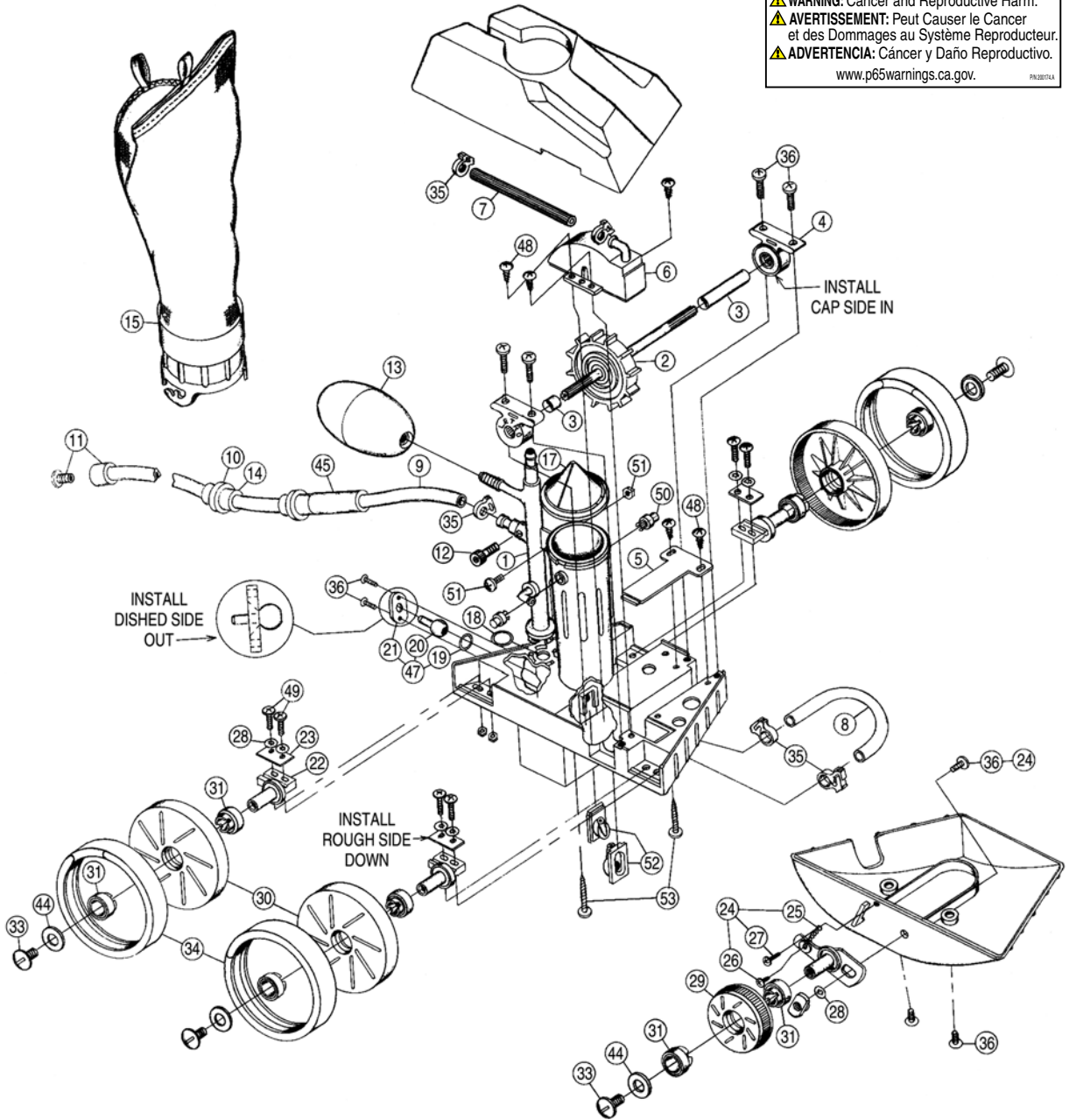
**CALIFORNIA PROPOSITION 65 WARNING**

⚠️ **WARNING:** Cancer and Reproductive Harm.  
 ⚠️ **AVERTISSEMENT:** Peut Causer le Cancer  
 et des Dommages au Système Reproducteur.  
 ⚠️ **ADVERTENCIA:** Cáncer y Daño Reproductivo.  
[www.p65warnings.ca.gov](http://www.p65warnings.ca.gov)

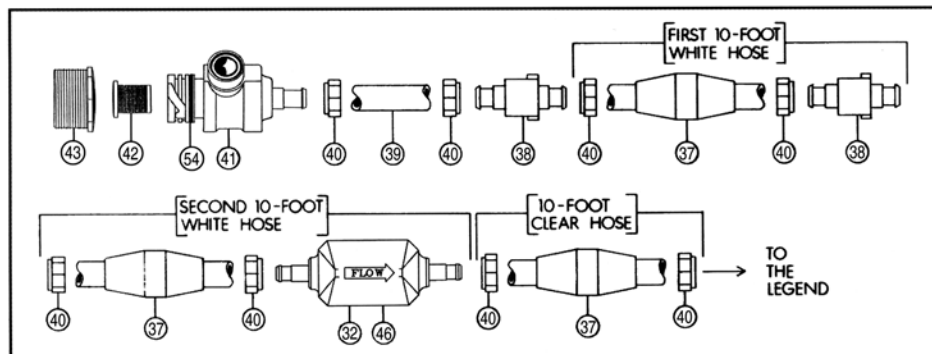
# LEGEND® 3-WHEEL CLEANER REPLACEMENT PARTS

CALIFORNIA PROPOSITION 65 WARNING

⚠ WARNING: Cancer and Reproductive Harm.  
 ⚠ AVERTISSEMENT: Peut Causer le Cancer et des Dommages au Système Reproducteur.  
 ⚠ ADVERTENCIA: Cáncer y Daño Reproductivo.  
[www.p65warnings.ca.gov](http://www.p65warnings.ca.gov)



**HOSE KIT - # LL209**



# LEGEND® 3-WHEEL (CONT'D)

## CLEANER REPLACEMENT PARTS

Item	Part No.	Qty.	Description	US List	Can. List
<b>LEGEND 3 WHEEL REPLACEMENT PARTS</b>					
1	LLU6		Feed Mast w/ O-Ring	55.49	66.68
2	EC86		Turbine Drive Shaft - Complete	43.34	52.08
3	EC83	1	Turbine Spacers - Set 1 long, 1 short	3.12	3.75
4	EC80	2	Turbine Bearings	42.41	50.96
5	EA40		Turbine Shaft Shield	9.55	11.48
6	EC110		Turbine Cover w/ Elbow	15.83	19.02
7	EC120		Turbine Cover Hose 7-3/4 in. length	2.25	2.70
8	EC120		Jet - Hose - 7-3/4 in. length	2.25	2.70
9	EB5L		Sweep Hose - Complete	42.22	50.73
10	EB10	5	Sweep Hose - Wear Ring	14.88	17.88
11	EB25		Sweep Hose - Jet w/ Collar	4.47	5.37
12	EB20	2	Sweep Hose - Adjustment Screw - White <sup>1</sup>	3.62	4.35
12	370198	2	Sweep Hose - Adjustment Screw - SS <sup>2</sup>	3.44	4.13
13	EA20		Ballast Float - White	7.05	8.47
14	EH07	4	Sweep Hose - Hose Sleeve	5.80	6.97
15	EU15		Coarse Mesh Bag-Blue (Optional)	60.01	72.11
15	EU15G		Coarse Mesh Bag-Blue/ Gray Collar (Optional)	61.02	73.32
15	EU16		Fine Mesh Bag	47.10	56.60
15	EU16G		Fine Mesh Bag - Velcro Brand Fastner - Gray	53.58	64.38
17	EU9		Debris Valve	4.39	5.28
18	EU7		O-Ring for Feed Mast	1.90	2.28
19	E18		O-Ring for Thrust Jet	3.27	3.93
20	EC130	2-Pk	Thrust Jet - Light Gray	14.99	18.01
21	EC135	2-Pk	Thrust Jet - Plate	6.38	7.67
22	EC65		Axle - Large Wheels	5.96	7.16
23	EC70	2	Axle Plate	2.41	2.90
24	EC36H		Swing Axle Hardware Kit	CALL	CALL
25	EC25	2	Spring - Swing Axle	3.27	3.93
26	EC30	5	Screw For Spring To Swing Axle	2.64	3.17
27	EC32	5	Screw For Spring To Bottom Cover	2.64	3.17
28	EC45	5	Lock Washer For LLC36, EC70	3.87	4.65
29	EC16		Wheel - Small For Swing Axle	11.04	13.27
30	EC6L		Wheel w/out Bearings	18.88	22.69
31	EC60	2	Wheel Bearings Only	23.43	28.15
32	E10		Back-Up Valve	115.96	139.34
33	EC55	5	Wheel Screw - Plastic	11.86	14.25
34	EC10		Wheel - Rubber Tire (Non-ribbed)	20.27	24.36
35	EB15	2	Hose Clamp	3.33	4.00
36	EC40	10	Screw	3.59	4.31

Item	Part No.	Qty.	Description	US List	Can. List
37	ED10P		Float - Feed Hose	8.22	9.88
38	ED05		Swivel - Feed Hose	18.04	21.68
39	LLU1		Adapter Hose - White - 8-1/2 in.	6.38	7.67
40	ED15	2	Mender Nut - plastic - feed hose	9.43	11.33
41	EW22		Wall Fitting - Complete	43.23	51.95
42	E24		Screen - Wall Fitting	11.78	14.15
43	E23		Quick Disconnect Adapter	5.70	6.85
44	EC64	2	Wheel - Plastic Washer	6.98	8.39
45	EH09C		Sweep Hose Weight	18.48	22.21
46	EG15		Gears - for Back-Up Valve	99.00	118.96
47	EC131		Thrust Jet Repair Kit includes: E18, EC130, EC135	7.74	9.30
48	EA30	5	Screw for EA40 and EC110	2.64	3.17
49	EU76	2K	Axle Bolt	3.82	4.59
50	EU147	2	Snap Fit Vac Tube Posts	7.02	8.44
51	EU79		Nut & Bolt - Feed Mast to Vac Tube	6.78	8.15
52	LLU8	2	Venturi Jet	13.91	16.71
53	EU80	2	Screw - Top Cover To Frame	5.61	6.74
54	E21	2	O-Ring For Wall Fitting	4.61	5.54
<b>TUNE-UP KIT (3-WHEEL) - LL205</b>					
	LL205		Kit includes	419.81	504.44
	EB5L	1	Sweep Tail - Complete	40.34	48.47
	EC6L	3	Wheel - Large	18.04	21.68
	EC16	1	Wheel - Small	10.55	12.68
	EC60	4	Bearings - 2-Pk	22.39	26.90
	EC80	1	Turbine Bearings - 2-Pk	40.53	48.70
	EC86	1	Turbine Shaft - Complete	41.41	49.76
	EC10	3	Tires - Non-Ribbed	19.37	23.27
	EU16	1	Fine Mesh Bag	45.01	54.08
<b>LEGEND HOSE KIT - LL209</b>					
	LL209		Kit includes	386.85	464.84
	D45	2	White Feed Hose 10 in.	43.25	51.97
	D50	1	Clear Feed Hose 10 in.	CALL	CALL
	ED10P	10	Floats	8.22	9.88
	D05	3	Swivels	CALL	CALL
	E10	1	Back-Up Valve	115.96	139.34
	LLU1	1	Adaptor Hose - White 8-1/2 in.	6.38	7.67
	ED15	7	Mender Nuts	9.43	11.33
	EW22	1	Wall Fitting - Complete	43.23	51.95
	EB10	1	Wear Ring	14.88	17.88

<sup>1</sup> For use on units manufactured before 8-01-05.

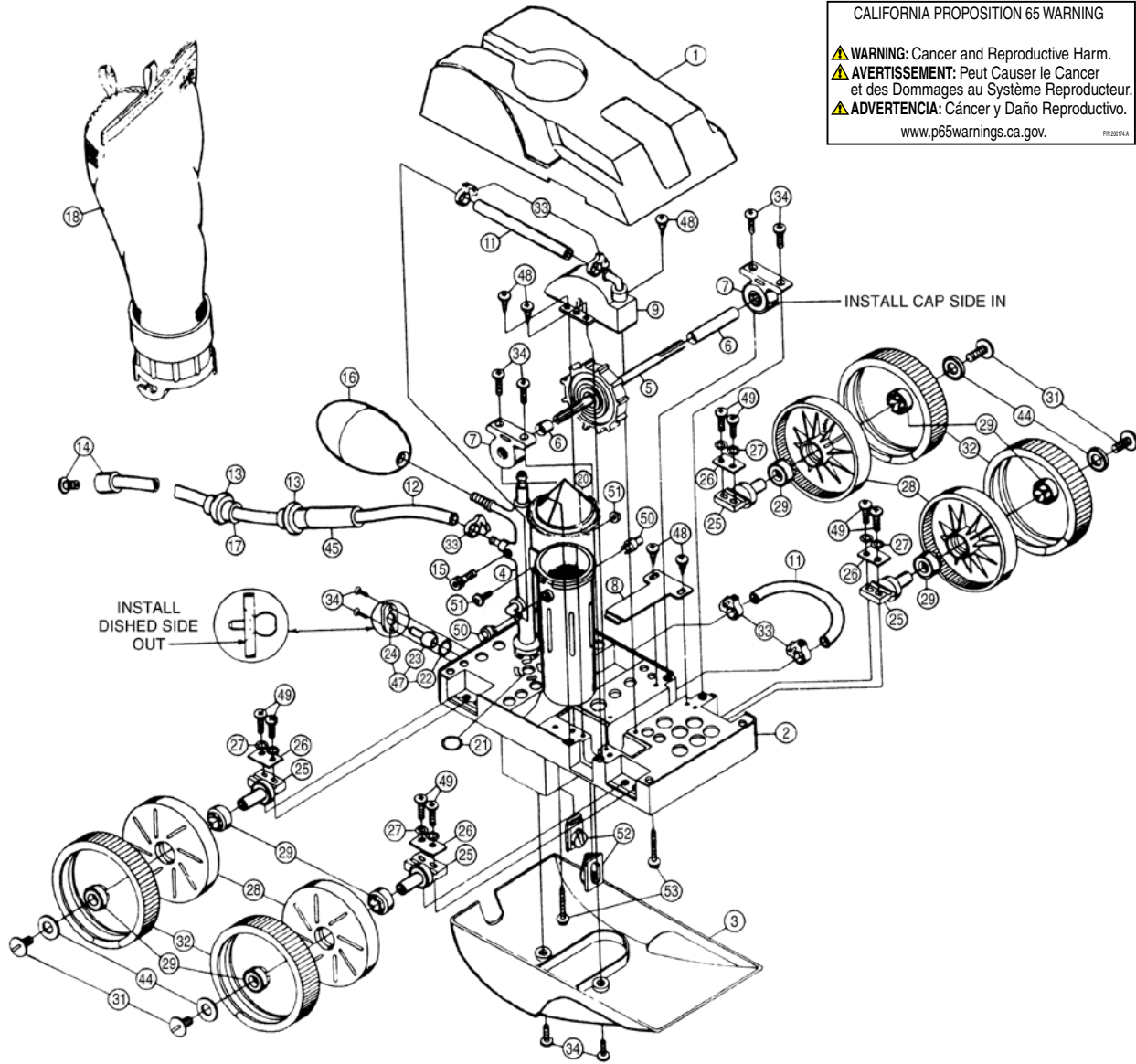
<sup>2</sup> For use on units manufactured after 8-01-05.

CALIFORNIA PROPOSITION 65 WARNING  
 ⚠️ **WARNING:** Cancer and Reproductive Harm.  
 ⚠️ **AVERTISSEMENT:** Peut Causer le Cancer et des Dommages au Système Reproducteur.  
 ⚠️ **ADVERTENCIA:** Cáncer y Daño Reproductivo.  
 www.p65warnings.ca.gov. PR2017A

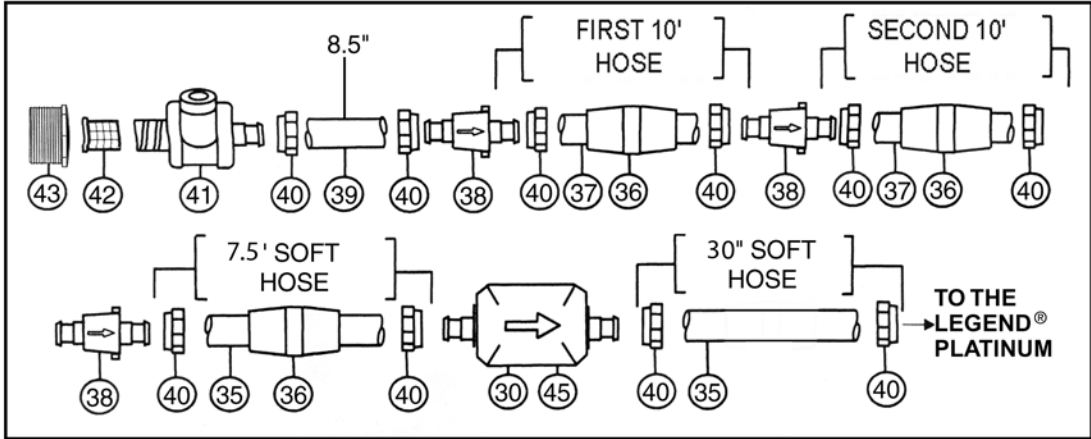


# LEGEND® 4-WHEEL - LL105

## CLEANER REPLACEMENT PARTS



CALIFORNIA PROPOSITION 65 WARNING  
 ⚠️ **WARNING:** Cancer and Reproductive Harm.  
 ⚠️ **AVERTISSEMENT:** Peut Causer le Cancer et des Dommages au Système Reproducteur.  
 ⚠️ **ADVERTENCIA:** Cáncer y Daño Reproductivo.  
[www.p65warnings.ca.gov](http://www.p65warnings.ca.gov) PH020104



# LEGEND® 4-WHEEL - LL105 (CONT'D)

## CLEANER REPLACEMENT PARTS

Item	Part No.	Qty.	Description	US List	Can. List
<b>LEGEND 4 WHEEL REPLACEMENT PARTS</b>					
1	LLU5NG		Top Cover - Gray	CALL	CALL
2	LLU145N		Main Frame	1558.79	1873.04
3	EU10N		Bottom Cover - White	79.44	95.46
4 *	LLU6		Feed Mast w/ O-Ring	55.49	66.68
5	EC86		Turbine Drive Shaft - Complete	43.34	52.08
6	EC83	1	Turbine Spacers - Set, 1 long, 1 short	3.12	3.75
7	EC80	2	Turbine Bearings	42.41	50.96
8	EA40		Turbine Shaft Shield	9.55	11.48
9	EC110		Turbine Cover w/ Elbow	15.83	19.02
11	EC120		Hose - 7-3/4 in. length	2.25	2.70
12 *	EB5L		Sweep Hose - Complete	42.22	50.73
13	EB10	5	Sweep Hose - Wear Ring	14.88	17.88
14	EB25		Sweep Hose - Jet w/ Collar	4.47	5.37
15*	EB20	2	Sweep Hose - Adjustment Screw - White <sup>1</sup>	3.62	4.35
15	370198	2	Sweep Hose - Adjustment Screw - SS <sup>2</sup>	3.44	4.13
16	EA20		Ballast Float (White)	7.05	8.47
17	EH07	4	Sweep Hose - Hose Sleeve	5.80	6.97
18	360002		Debris Bag with Snaplock - White	60.89	73.17
18	360009		Debris Bag with Snaplock - Gray	60.90	73.18
18 *	EU15		Coarse Mesh Bag-Blue (Optional)	60.01	72.11
18 *	EU16		Fine Mesh Bag - White	47.10	56.60
18*	EU16G		Fine Mesh Bag - Gray	53.58	64.38
20	EU9		Debris Valve	4.39	5.28
21	EU7		O-Ring for Feed Mast	1.90	2.28
22	E18		O-Ring for Thrust Jet	3.27	3.93
23	EC130	2	Thrust Jet	14.99	18.01
24	EC135	2	Thrust Jet - Plate	6.38	7.67
25	EC65		Axle - Large Wheels	5.96	7.16
26	EC70	2	Axle Plate	2.41	2.90
27	EC45	5	Axle - Lock Washer	3.87	4.65
28 *	EC6L		Wheel w/out Bearings	18.88	22.69
29 *	EC60	2	Wheel Bearings Only	23.43	28.15
30 *	E10		Back-Up Valve	115.96	139.34
31 *	EC55	5	Wheel Screw - Plastic	11.86	14.25
32 *	LLC1		Wheel - Rubber Tire	15.17	18.23
32	360007		Wheel - Rubber Tire	15.21	18.28
33	EB15	2	Hose Clamp	3.33	4.00
34	EC40	10	Screw	3.59	4.31
35 *	ED50		Feed Hose - clear soft - 7 ft.-8 in.	50.79	61.03
36 *	ED10P		Float - Feed Hose	8.22	9.88
37 *	ED45		Feet Hose - White - 11 ft.-2 in.	CALL	CALL
38	ED05		Swivel - Feed Hose	18.04	21.68
39	LLU1		Adapter Hose - White - 8-1/2 in.	6.38	7.67
40 *	ED15	2	Mender Nut - plastic - feed hose	9.43	11.33
41	EW22		Wall Fitting - Complete	43.23	51.95
41	E25		Pressure Relief Valve for Wall Fitting	16.95	20.37
42	E24		Screen - Wall Fitting	11.78	14.15
43	E23		Quick Disconnect Adapter	5.70	6.85
44	EC64	2	Wheel - Plastic Washer	6.98	8.39
46 *	EG15		Gears - for Back-Up Valve	99.00	118.96
47	EC131		Thrust Jet Repair Kit includes: E18, EC130, EC135	7.74	9.30
48	EA30	5	Screw for EA40 and EC110	2.64	3.17
49	EU76	2	Axle Bolt	3.82	4.59
50	EU147	2	Snap Fit Vac Tube Posts	7.02	8.44
51	EU79		Nut & Bolt - Feed Mast to Vac Tube	6.78	8.15
52	LLU8	2-	Venturi Jet	13.91	16.71
53	EU80	2	Screw - Cover to Frame	5.61	6.74

Item	Part No.	Qty.	Description	US List	Can. List
<b>BACK-UP VALVE PARTS - E10 (#30 on schematic)</b>					
	E11	1	Housing Body	61.38	73.75
	E12	1	Housing Top	33.97	40.82
	E13	1	O-Ring for Housing Body	1.90	2.28
	E14	1	O-Ring for Gear Assembly	1.90	2.28
	E15	1	Screw for Housing Body - 6-Pk	6.17	7.41
	EG15	1	Gears - for Back-Up Valve	99.00	118.96
<b>WALL FITTING PARTS - EW22 (#41 on schematic) *</b>					
	E21	1	O-Ring for Wall Fitting - 2-Pk	4.61	5.54
	E25	1	Pressure Relief Valve	16.95	20.37
	E24	1	Screen - Wall Fitting	11.78	14.15
	E23	1	Quick Disconnect Adapter	5.70	6.85
<b>LEGEND TUNE-UP KIT - LL205N*</b>					
	EU16	1	Fine Mesh Bag	47.10	56.60
	EU9	1	Debris Valve	4.39	5.28
	EC80	1	Turbine Bearings - 2-Pk	42.41	50.96
	EC60	4	Wheel Bearings - 2-Pk	23.43	28.15
	EC86	1	Turbine Shaft - Complete	43.34	52.08
	EB5L	1	Sweep Tail - Complete	42.22	50.73
	EC6L	2	Wheel (Large)	18.88	22.69
	LLC1	2	Tires (4-Wheel only)	15.17	18.23
<b>LEGEND OVERHAUL KIT - LL206N *</b>					
	LL206N		Kit includes	463.00	556.34
	EU16	1	Fine Mesh Bag	47.10	56.60
	EC86	1	Turbine Shaft Complete	43.34	52.08
	EC65	4	Axles	5.96	7.16
	EU9	1	Debris Valve	4.39	5.28
	EB5L	1	Sweep Hose w/ Clamp	42.22	50.73
	EC80	1	Turbine Bearings - 2-Pk	42.41	50.96
	EC6L	4	Wheel (Large)	18.88	22.69
	LLC1	4	Tires (4-Wheel only)	15.17	18.23
	EC60	4	Bearings - 2-Pk	23.43	28.15
	EA20	1	Ballast Float (White)	7.05	8.47
<b>LEGEND HOSE KIT - LL209 *</b>					
	LL209		Kit includes	386.85	464.84
	D45	2	White Feed Hose 10 in.	43.25	51.97
	D50	1	Clear Feed Hose 10 in.	CALL	CALL
	ED10P	10	Floats	8.22	9.88
	D05	3	Swivels	CALL	CALL
	E10	1	Back-Up Valve	115.96	139.34
	LLU1	1	Adaptor Hose - White 8-1/2 in.	6.38	7.67
	ED15	7	Mender Nuts	9.43	11.33
	EW22	1	Wall Fitting - Complete	43.23	51.95
	EB10	1	Wear Ring	14.88	17.88
<b>NOT SHOWN</b>					
	LLU82	2	Snap Fittings	7.02	8.44
	370017		Sweep Hose Scrubber	3.69	4.43
	JVP8		Pressure Stick w/o Gauge	36.08	43.35
	15060-0000T		Pressure Gauge	47.86	57.51
	EU13		Step Deflector	91.40	109.83

\* Recommended for stock.

<sup>2</sup> For use on units manufactured after 8-01-05.

<sup>1</sup> For use on units manufactured before 8-01-05.

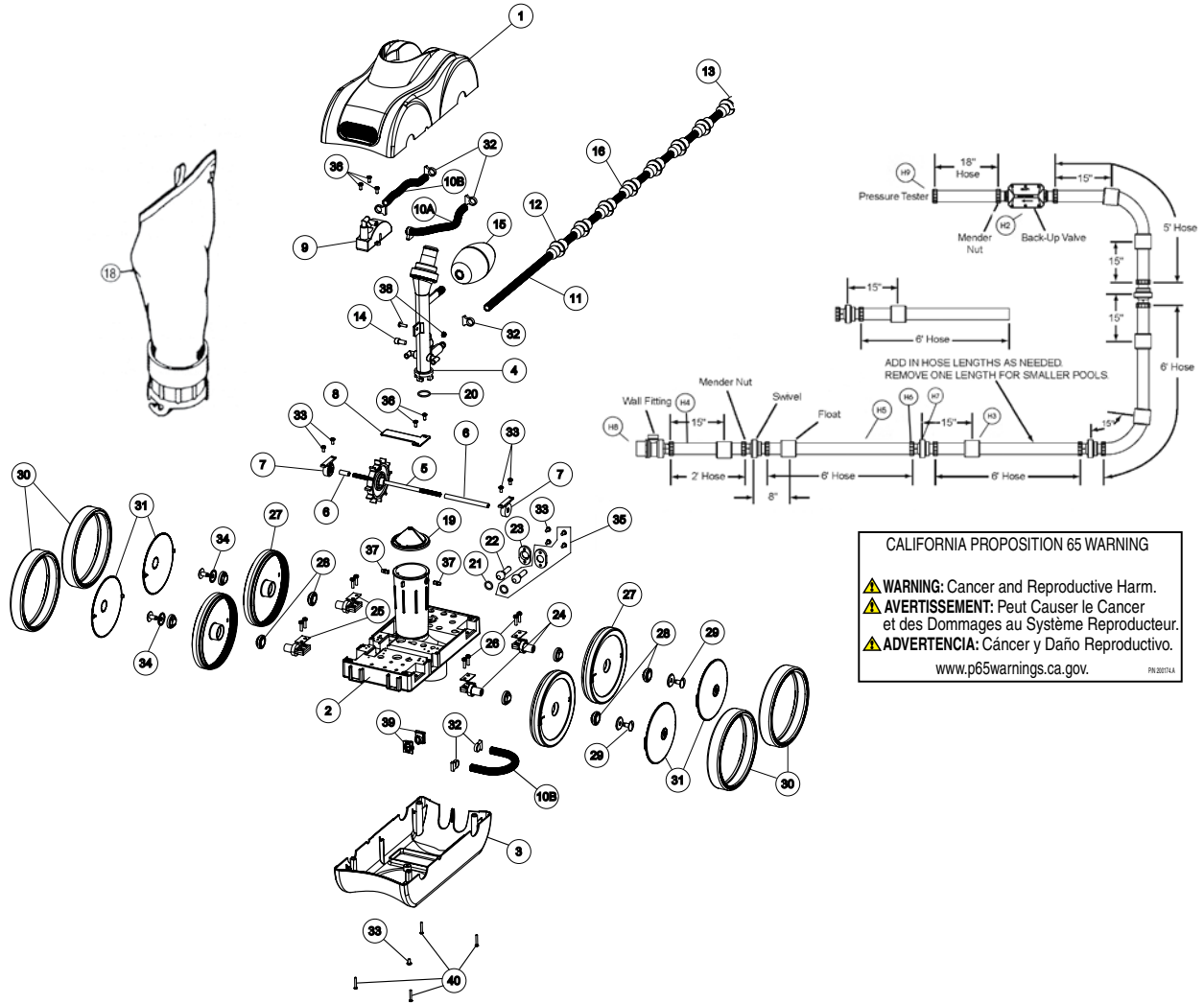
CALIFORNIA PROPOSITION 65 WARNING

▲ **WARNING:** Cancer and Reproductive Harm.  
▲ **AVERTISSEMENT:** Peut Causer le Cancer et des Dommages au Système Reproducteur.  
▲ **ADVERTENCIA:** Cáncer y Daño Reproductivo.

www.p65warnings.ca.gov. PR.002174

# KREEPY KRAULY® LEGEND® II

## LX5000G AND LX5000GG CLEANER REPLACEMENT PARTS



CALIFORNIA PROPOSITION 65 WARNING

⚠ **WARNING:** Cancer and Reproductive Harm.  
 ⚠ **AVERTISSEMENT:** Peut Causer le Cancer et des Dommages au Système Reproducteur.  
 ⚠ **ADVERTENCIA:** Cáncer y Daño Reproductivo.

[www.p65warnings.ca.gov](http://www.p65warnings.ca.gov)

Item	Part No.	Qty.	Description	US List	Can. List
<b>KREEPY KRAULY LEGEND II REPLACEMENT PARTS</b>					
1	360003	1	Top Cover	104.42	125.47
2	LXU145N	1	Main Frame	CALL	CALL
2	360016	1	Main Frame Gray	1420.40	1706.75
3	360004	1	Bottom Cover	76.38	91.78
3	360011	1	Bottom Cover Gray	76.41	91.81
4	LXU6	1	Feed Mast w/ O-Ring & Swivel Gray	59.62	71.64
4	360017	1	Feed Mast w/ O-Ring & Swivel	62.91	75.59
5	EC86	1	Turbine Drive Shaft - Complete	43.34	52.08
6	EC83	2	Turbine Spacers	3.12	3.75
7	EC80	2	Turbine Bearings	42.41	50.96
8	EA40	1	Turbine Shaft Shield	9.55	11.48
9	LXC110	1	Turbine Cover w/Elbows	27.73	33.32
10A & B	EC120	2 & 1	Turbine/Venturi Hose 7-3/4 in. length	2.25	2.70
10A & B	LLC120G	2 & 1	Turbine/Venturi Hose 7-3/4 in. length - Gray	3.12	3.75

11	EB5L	1	Sweep Hose - Complete	42.22	50.73
11	LLB5G	1	Sweep Hose - Complete - Gray	62.32	74.88
12	EB10	9	Sweep Hose - Wear Ring	14.88	17.88
13	EB25	1	Sweep Hose - Jet w/Collar	4.47	5.37
13	LLB25PM	1	Sweep Hose - Jet w/Collar - Gray	9.24	11.10
14	370198	1	Sweep Hose Adjustment Screw	3.44	4.13
15	EA20	1	Ballast Float	7.05	8.47
15	LLA20G	1	Ballast Float - Gray	10.24	12.30
16	EH07	4	Sweep Hose - Hose Sleeve	5.80	6.97
16	LLH07PM	4	Sweep Hose - Hose Sleeve - Gray	7.88	9.47
17	EU15	1	Coarse Mesh Bag-Blue (Optional - not shown)	60.01	72.11
17	EU15G	1	Coarse Mesh Bag-Blue/Gray Collar (Optional - not shown)	61.02	73.32



# KREEPY KRAULY® LEGEND® II (CONT'D)

## LX5000G AND LX5000GG CLEANER REPLACEMENT PARTS

Item	Part No.	Qty.	Description	US List	Can. List
<b>KREEPY KRAULY LEGEND II REPLACEMENT PARTS</b>					
18	360002	1	Fine Mesh Bag - Mechanical Lock	60.89	73.17
18	360009	1	Fine Mesh Bag Gray - Mechanical Lock	60.90	73.18
18	EU16	1	Fine Mesh Bag - Velcro Brand Fastener	47.10	56.60
18	EU16G	1	Fine Mesh Bag - Velcro Brand Fastener - Gray	53.58	64.38
19	EU9	1	Debris Valve	4.39	5.28
20	EU7	1	O-ring for Feed Mast	1.90	2.28
21	E18	1	O-ring for Thrust Jet	3.27	3.93
22	EC130	1	Thrust Jet	14.99	18.01
23	EC135	1	Thrust Jet - Plate	6.38	7.67
23	LLC135G	1	Thrust Jet - Plate - Gray	13.48	16.20
24	EC65	4	Axle - Large Wheels	5.96	7.16
25	EC70	4	Axle Plate	2.41	2.90
26	370258Z	8	Axle Screw w/ Lock Washer	5.83	7.01
27	360006	4	Wheel w/o Bearings	18.49	22.22
28	EC60	8	Wheel Bearings - Only	23.43	28.15
29	EC55	4	Wheel Screw - Plastic	11.86	14.25
29	LLC55PM	4	Wheel Screw - Plastic - Gray	12.87	15.46
30	360007	4	Wheel - Rubber Tire	15.21	18.28
30	360012	4	Wheel - Gray Tire	15.20	18.26
31	360005	4	Hub Cap	5.43	6.52
31	360013	4	Hub Cap - Gray	5.43	6.52
32	EB15	7	Hose Clamp	3.33	4.00
33	EC40	7	Screw	3.59	4.31
34	EC64	4	Wheel - Plastic Washer	6.98	8.39
35	EC131	1	Thrust Jet Repair Kit, includes: EC130, EC135 and E18	7.74	9.30
35	360014	1	Thrust Jet Repair Kit - Gray, includes: EC130, LLC135 and E19	27.55	33.10
36	EA30	5	Screw for EA40 and LXC110	2.64	3.17
37	EU147	2	Snap Fit Vac Tube Posts	7.02	8.44
37	LLU147G	2	Snap Fit Vac Tube Posts - Gray	7.55	9.07
38	EU79	1	Nut & Bolt - Feed Mast to Vac Tube	6.78	8.15
39	LXU8	2	Venturi Jets	24.37	29.28
40	EU80	4	Screw - Top and Bottom Cover	5.61	6.74
41	370017	1	Sweep Hose - Scrubber	3.69	4.43
-	EH09C	1	Sweep Hose Weight (Optional - not shown)	18.48	22.21

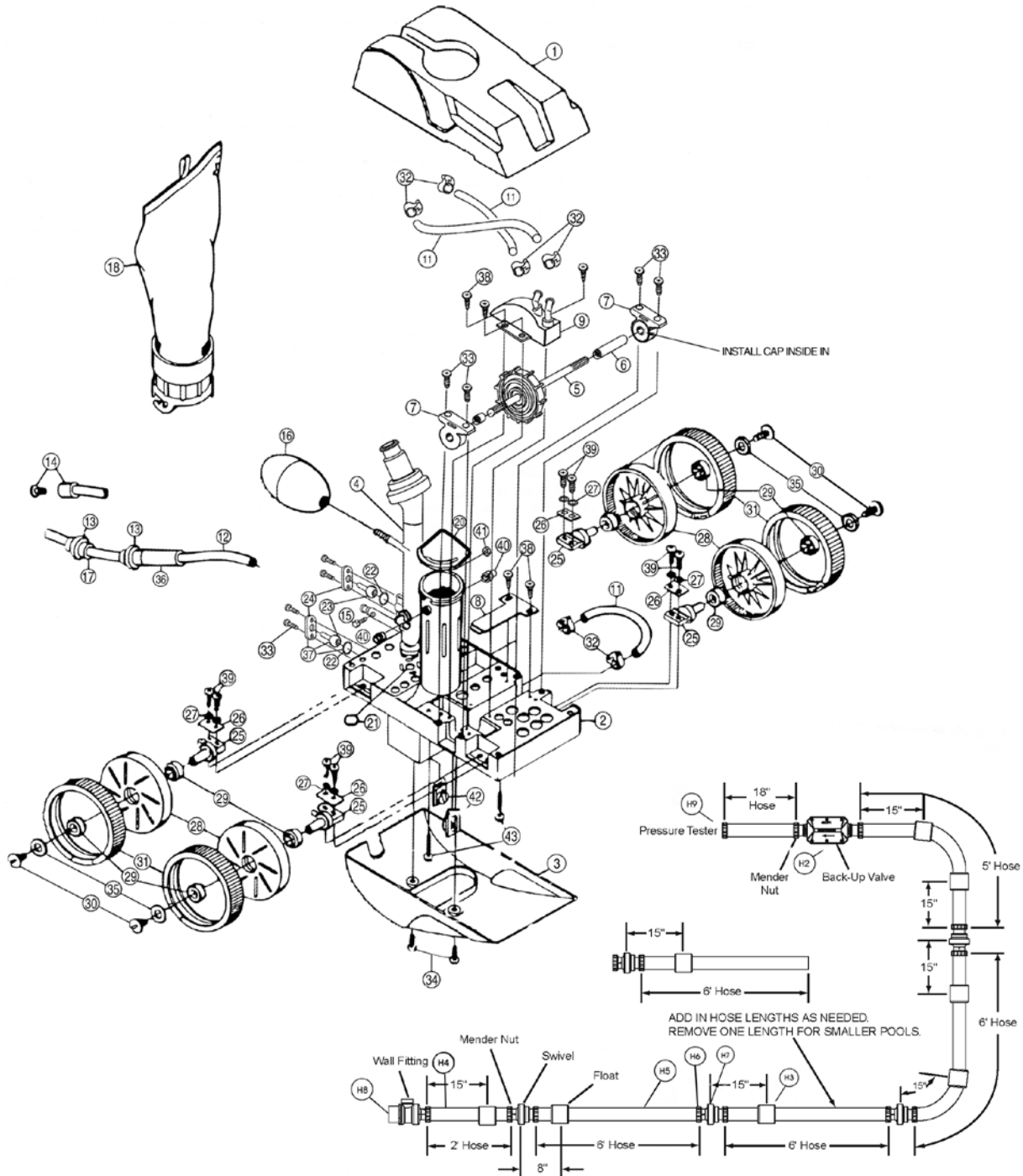
Item	Part No.	Qty.	Description	US List	Can. List
<b>LX10 REPLACEMENT PARTS</b>					
H2	LX10	1	Back-Up Valve - Low Pressure	119.33	143.39
H2	360018	1	Back-Up Valve - Low Pressure - Gray	116.46	139.94
H2	E15	6	Back-Up Valve - Screw Housing Body	6.17	7.41
Inside H2	E13	1	Back-Up Valve - Housing O-Ring	1.90	2.28
Inside H2	E14	1	Back-Up Valve - O-Ring Gear Assembly	1.90	2.28
Inside H2	LX16	1	Back-Up Valve - Gear Assembly	99.00	118.96
H3	LXD10	7	Feed Hose Float - White	7.31	8.78
H3	360019	7	Feed Hose Float - Gray	18.16	21.82
H4	LX18	1	Feed Hose - White - 2 ft. Section	13.24	15.91
H4	360021	1	Feed Hose - Gray - 2 ft. Section	13.24	15.91
H5	LX17	4	Feed Hose - White - 6 ft. Section	30.04	36.10
H5	360020	4	Feed Hose - Gray - 6 ft. Section	36.70	44.10
H6	LX20	12	Feed Hose Mender - White w/ O-ring #0252	7.32	8.80
H6	360022	12	Feed Hose Mender - Gray w/ O-ring #0253	15.78	18.96
H7	LX19	4	Feed Hose Swivel - White	23.43	28.15
H7	360023	4	Feed Hose Swivel - Gray	58.81	70.67
H8	LXW22	1	Wall Fitting Complete - White	36.32	43.64
H8	360024	1	Wall Fitting Complete - Gray	42.56	51.14
Inside H8	E23	1	Wall Fitting Adapter - White	5.70	6.85
Inside H8	LL23PM	1	Wall Fitting Adapter - Gray	11.29	13.57
Inside H8	E21	2pk	Wall Fitting O-ring	4.61	5.54
Inside H8	E24	1	Wall Fitting Screen	11.78	14.15
Inside H8	LX25	1	Wall Fitting - Valve Assembly - White	17.02	20.45
Inside H8	360025	1	Wall Fitting - Valve Assembly - Gray	36.56	43.93
H9	LX26	1	Pressure Tester	25.72	30.91
<b>ACCESSORIES</b>					
	EH09C	1	Sweep Hose Weight (optional)	18.48	22.21
	LX509		Feed Hose Complete - Gray	CALL	CALL
	LX209		Feed hose Complete - White	575.53	691.56

CALIFORNIA PROPOSITION 65 WARNING

▲ **WARNING:** Cancer and Reproductive Harm.  
▲ **AVERTISSEMENT:** Peut Causer le Cancer et des Dommages au Système Reproducteur.  
▲ **ADVERTENCIA:** Cáncer y Daño Reproductivo.  
[www.p65warnings.ca.gov](http://www.p65warnings.ca.gov)

# LEGEND® II - LX 2000

## CLEANER REPLACEMENT PARTS



CALIFORNIA PROPOSITION 65 WARNING

⚠️ **WARNING:** Cancer and Reproductive Harm.  
 ⚠️ **AVERTISSEMENT:** Peut Causer le Cancer et des Dommages au Système Reproducteur.  
 ⚠️ **ADVERTENCIA:** Cáncer y Daño Reproductivo.  
[www.p65warnings.ca.gov](http://www.p65warnings.ca.gov)

# LEGEND® II - LX 2000 (CONT'D)

## CLEANER REPLACEMENT PARTS

Item	Part No.	Qty.	Description	US List	Can. List
<b>LEGEND II - LX 2000 REPLACEMENT PARTS</b>					
1	LXU5G		Top Cover - Gray	CALL	CALL
2	LXU145N		Main Frame (Legend II only)	CALL	CALL
3	EU10N		Bottom Cover	79.44	95.46
4 *	LXU6		Feed Mast w/ O-Ring & Swivel	59.62	71.64
5	EC86		Turbine Drive Shaft - Complete	43.34	52.08
6	EC83	1	Turbine Spacers - Set, 1 long, 1 short	3.12	3.75
7	EC80	2	Turbine Bearings	42.41	50.96
8	EA40		Turbine Shaft Shield	9.55	11.48
9	LXC110		Turbine Cover w/ Elbows	27.73	33.32
11	EC120		Hose - 7-3/4 in.	2.25	2.70
12	EB5L		Sweep Hose - Complete	42.22	50.73
13	EB10	5	Sweep Hose - Wear Ring	14.88	17.88
14	EB25		Sweep Hose - Jet w/ Collar	4.47	5.37
15	EB20	2	Sweep Hose - Adjustment Screw - White <sup>1</sup>	3.62	4.35
15	370198	2	Sweep Hose - Adjustment Screw - SS <sup>2</sup>	3.44	4.13
16	EA20		Ballast Float - White	7.05	8.47
17	EH07	4	Sweep Hose - Hose Sleeve	5.80	6.97
18	360002		Debris Bag with Snaplock	60.89	73.17
18	EU15		Coarse Mesh Bag (Optional)- Blue	60.01	72.11
18	EU16		Fine Mesh Bag	47.10	56.60
20	EU9		Debris Valve	4.39	5.28
21	EU7		O-Ring for Feed Mast	1.90	2.28
22	E18		O-Ring for Thrust Jet	3.27	3.93
23	EC130	2	Thrust Jet	14.99	18.01
24	EC135	2	Thrust Jet - Plate	6.38	7.67
25	EC65		Axle - Large Wheels	5.96	7.16
26	EC70	2	Axle Plate	2.41	2.90
27	EC45	5	Axle - Lock Washer	3.87	4.65
28 *	EC6L		Wheel w/out Bearings	18.88	22.69
29	EC60	2	Wheel Bearings Only	23.43	28.15
30	EC55	5	Wheel Screw - Plastic	11.86	14.25
31 *	LXC1		Tire - Legend II	15.17	18.23
32	EB15	2	Hose Clamp	3.33	4.00
33	EC40	10	Screw for Turbine Bearings, Thrust Jet	3.59	4.31
34	EC40	10	Screw for Bottom Cover	3.59	4.31
35	EC64	2	Wheel - Plastic Washer	6.98	8.39
36	EH09C		Sweep Hose Weight (optional)	18.48	22.21
37	EC131		Thrust Jet Repair Kit, includes: E18, EC130, EC135	7.74	9.30
38	EA30	5	Screw for LXC110	2.64	3.17
39	EU76	2	Axle Bolt	3.82	4.59
40	EU147	2	Snap Fit Vac Tube Posts	7.02	8.44
41	EU79		Nut & Bolt - Feed Mast to Vac Tube	6.78	8.15
42	LXU8	2	Venturi Jet	24.37	29.28
--	EU80	2	Screw - Cover to Frame	5.61	6.74
H2 *	LX10		Back Up Valve - Low Pressure	119.33	143.39

Item	Part No.	Qty.	Description	US List	Can. List
H2	LX11		Back Up Valve - Housing	61.38	73.75
H2	E12		Back Up Valve - Top Cover	33.97	40.82
inside H2	E13		Back Up Valve - Housing O-Ring	1.90	2.28
inside H2	E14		Back Up Valve - O-Ring Gear Assembly	1.90	2.28
H2	E15	6	Back Up Valve - Screw Housing Body	6.17	7.41
inside H2 *	LX16		Back Up Valve - Gear Assembly	99.00	118.96
H3	LXD10		Feed Hose Float	7.31	8.78
H5	LX17		Feed Hose - 6 ft. Section	30.04	36.10
H4	LX18		Feed Hose - 2 ft. Section	13.24	15.91
H6	LX20	2	Feed Hose Mender w/ O-Ring #0252	7.32	8.80
H7*	LX19		Feed Hose Swivel	23.43	28.15
H8*	LXW22		Wall Fitting - Complete	36.32	43.64
H8	E21	2	Wall Fitting O-ring	4.61	5.54
H8	E23		Wall Fitting Adapter	5.70	6.85
inside H8	E24		Wall Fitting Screen	11.78	14.15
inside H8	LX25		Wall Fitting - Pressure Relief Valve	17.02	20.45
H9	LX26		Pressure Tester	25.72	30.91
<b>LEGEND II HOSE KIT - LX209 *</b>					
	LX209		Kit includes	575.53	691.56
	LX26	1	Pressure Tester	25.72	30.91
	LX18	1	2 ft. Hose Section	13.24	15.91
	LX20	12	Mender Nuts	7.32	8.80
	LX19	4	Swivels	23.43	28.15
	LX17	4	6 ft. Hose Section	30.04	36.10
	LXD10	7	Hose Floats	7.31	8.78
	LX10	1	Back-Up Valve	119.33	143.39
	LXW22	1	Wall Fitting - Complete	36.32	43.64
<b>LEGEND II TUNE-UP KIT - LX205 *</b>					
	LX205		Kit includes	423.48	508.85
	EU16	1	Fine Mesh Bag	47.10	56.60
	EU9	1	Debris Valve	4.39	5.28
	EC80	1	Turbine Bearings - 2-Pk	42.41	50.96
	EC60	4	Wheel Bearings - 2-Pk	23.43	28.15
	EC86	1	Turbine Shaft - Complete	43.34	52.08
	EB5L	1	Sweep Tail - Complete	42.22	50.73
	EC6L	2	Wheel (Large)	18.88	22.69
<b>NOT SHOWN</b>					
	370017		Sweep Hose Scrubber	3.69	4.43

\* Recommended for stock.

<sup>1</sup> For use on units manufactured before 8-01-05.

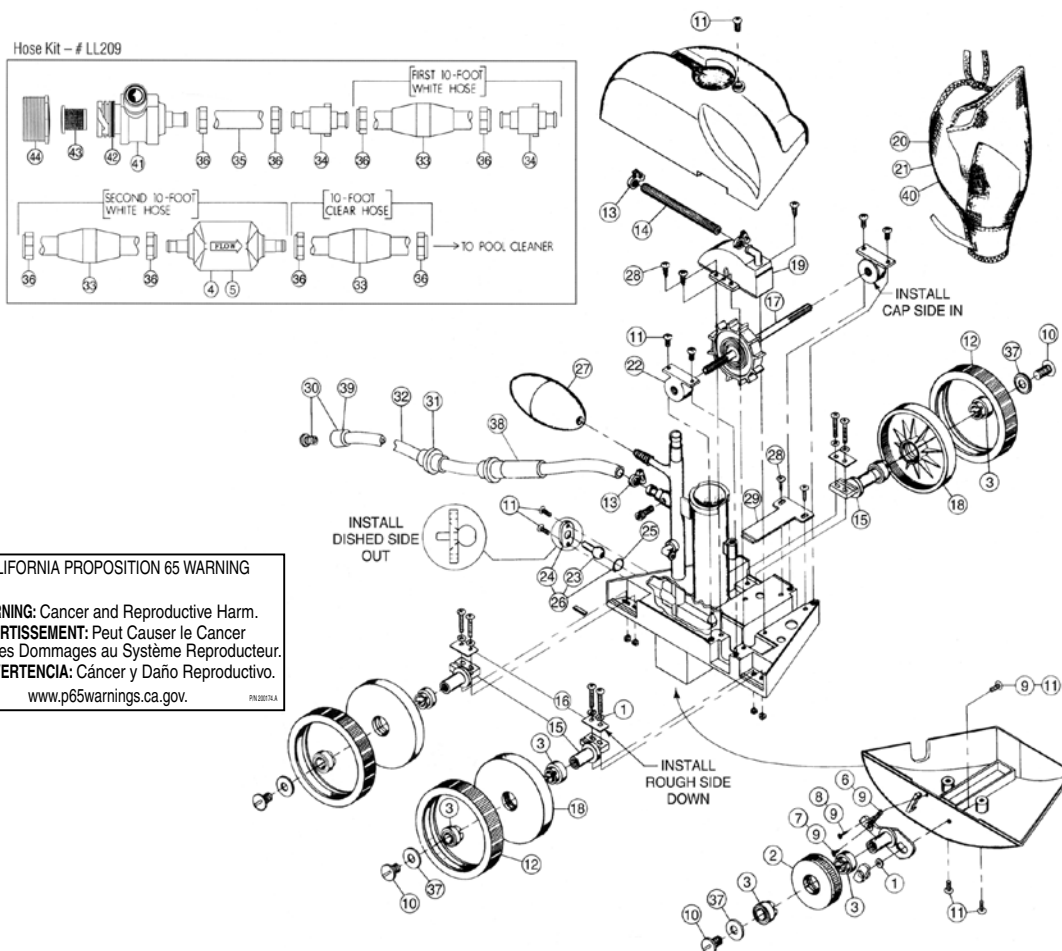
<sup>2</sup> For use on units manufactured before 8-01-05.

CALIFORNIA PROPOSITION 65 WARNING

▲ **WARNING:** Cancer and Reproductive Harm.  
▲ **AVERTISSEMENT:** Peut Causer le Cancer et des Dommages au Système Reproducteur.  
▲ **ADVERTENCIA:** Cáncer y Daño Reproductivo.

www.p65warnings.ca.gov. PR020714

# PENTAIR REPLACEMENT PARTS FOR POLARIS® POOL CLEANERS



**CALIFORNIA PROPOSITION 65 WARNING**  
 ⚠️ **WARNING:** Cancer and Reproductive Harm.  
 ⚠️ **AVERTISSEMENT:** Peut Causer le Cancer et des Dommages au Système Reproducteur.  
 ⚠️ **ADVERTENCIA:** Cáncer y Daño Reproductivo.  
[www.p65warnings.ca.gov](http://www.p65warnings.ca.gov)

Item	Pentair Part No.	Polaris Part No.	Qty.	Description	US List	Can. List
<b>REPLACEMENT PARTS FOR POLARIS</b>						
1	EC45	C45	5	Lock Washer for LC36	3.87	4.65
2	EC16	C16		Small Wheel - Swing Axle	11.04	13.27
3	EC60	C60	2	Ball Bearing	23.43	28.15
4	E10	G52		Back-up Valve	115.96	139.34
5	EG15	N/A		Gear Assembly - B/U Valve	99.00	118.96
6	EC25	C25	2	Spring for LC36	3.27	3.93
7	EC30	C30	5	Screw for EC25 to Axle	2.64	3.17
8	EC32	C32	5	Screw for EC25 to Body	2.64	3.17
9	EC36H	N/A		Hardware Kit For LC36	CALL	CALL
10	EC55	C55	5	Wheel Screw	11.86	14.25
11	EC40	C40	10	Screw for A5/A10/C36/C80/C130	3.59	4.31
12	EC10	C10		Tire for LC6	20.27	24.36
13	EB15	B15	2	Clamp for Sweep Hose	3.33	4.00
14	EC120	C120		Hose for EC110, 7-3/4 in. Length	2.25	2.70

Item	Pentair Part No.	Polaris Part No.	Qty.	Description	US List	Can. List
15	EC65	C65		Axle - Large (Rear)	5.96	7.16
16	EC70	C70		Axle Plate	2.41	2.90
17	EC86	C86		Drive Shaft - Assembled	43.34	52.08
18	LC6	C6		Wheel - Large	18.30	21.99
19	EC110	C110		Turbine Cover w/ Elbow	15.83	19.02
20	LA16	A16		Sand/Silt Bag	38.51	46.27
21	LA15	A15		Leaf Bag	60.01	72.11
22	EC80	C80	2	Ball Bearings - Turbine	42.41	50.96
23	EC130	N/A	2	Thrust Jet	14.99	18.01
24	EC135	N/A	2	Jet Plate	6.38	7.67
25	E18	N/A	2	O-Ring for EC130	3.27	3.93
26	EC131	C131		Thrust Jet Repair Kit	7.74	9.30
27	EA20	A20		Ballast Float (White)	7.05	8.47
28	EA30	A30	5	Screw for EA40	2.64	3.17
29	EA40	A40		Turbine Shaft Shield	9.55	11.48
30	EB25	B25		Sweep Hose Jet with Collar	4.47	5.37

# PENTAIR REPLACEMENT PARTS (CONT'D)

## FOR POLARIS® POOL CLEANERS

Item	Pentair Part No.	Polaris Part No.	Qty.	Description	US List	Can. List
<b>REPLACEMENT PARTS FOR POLARIS</b>						
31	EB10	B10	5	Wear Ring	14.88	17.88
32	EB5L	B5		Sweep Hose - Complete	42.22	50.73
33	ED10P	D10		Float for Feed Hoses	8.22	9.88
34	ED05	D20		Swivel Feed Hose	18.04	21.68
35	LLU1	N/A		Adapter Hose - White 8-1/2 in.	6.38	7.67
36	ED15	D15	2	Mender Nut	9.43	11.33
37	EC64	C64	2	Wheel Washer	6.98	8.39
38	EH09C	B2		Weight Sweep Hose	18.48	22.21
39	LB03	N/A		Collar Hose Jet	3.48	4.18
40	LG45	G45	4	Disposable Sand/Silt Bag	CALL	CALL
41	EW22	9-100-9001		Wall Fitting - Complete	43.23	51.95
42	E21		2	O-Ring for EW22 Wall Fitting	4.61	5.54
43	E24			Screen for Wall Fitting	11.78	14.15
44	E23	6-500-00		Wall Fitting Quick Disconnect Adapter	5.70	6.85
	LD24	D24	4	O-Ring for LD22 & LD23	2.55	3.06
<b>TUNE-UP KIT - L205P</b>						
	L205P	A49		Kit includes	262.19	315.05
	LC6	C6	3	Wheel Large	18.30	21.99
	EC60	C60	4	Ball Bearing - 2-Pk	23.43	28.15
	EC10	C10	3	Rubber Tire	20.27	24.36
	EC65	C65	3	Axle - Large (Rear)	5.96	7.16
	EC16	C16	1	Small Wheel - Swing Axle	11.04	13.27
	EC80	C80	1	Ball Bearings - Turbine - 2-Pk	42.41	50.96
	EC86	C86	1	Turbine Shaft	43.34	52.08
	EC55	C55	1	Wheel Screw - 5-Pk	11.86	14.25
<b>NOT SHOWN</b>						
	JVP8			Pressure Stick w/o Gauge	36.08	43.35
	15060-0000T			Pressure Gauge for JVP8	47.86	57.51
	LC36		1	Axle Swing with T-Bracket	18.78	22.57
	353020	P17	1	Quick Disc Hose Kit, Pump	53.40	64.17
	370017	9-100-3105	1	Sweep Hose, Scrubber - (380/360/280/180)	3.69	4.43
	370024	K16	1	Bag Conversion Kit, w/ Bag - All Purpose	44.31	53.24
	370025	9-100-1014	1	Bag Conversion Kit, w/ Bag - All Purpose (380/360)	43.43	52.19
	370058	N/A	1	UWF Installation Tool	35.61	42.79
	370059	N/A	1	Bag Adaptor - (380/360) <sup>1</sup>	8.34	10.02
	370060	N/A	1	Bag Adaptor - (280) <sup>1</sup>	9.46	11.37
	370073	6-504-00	1	Filter Screen, UWF/QD - (380/360/280/180)	10.18	12.23
	370112	D23	1	Quick Disc Plug NPTM, Plastic	6.34	7.62
	370161	C66	1	Axle LG Wheel - (280/180)	CALL	CALL
	370163	D26	1	Quick Disc FEM, Plastic	17.76	21.34
	370165	G9	1	Coupling, 1-1/2 NPTF X 3/4 in. NPTM - (380/280/180)	12.24	14.71
	370168	P5	1	Volute, Booster Pump	CALL	CALL
	370169	9-100-1132	1	Drive Train Gear Kit (380/360)	26.92	32.35
	370170	9-100-1139	1	Axle Block Kit, Front & Rear - (380/360)	32.30	38.81

Item	Pentair Part No.	Polaris Part No.	Qty.	Description	US List	Can. List
	370171	9-100-1103	1	Turbine Wheel with Bearing (380/360)	17.40	20.91
	370173	9-100-7003	1	Feed Pipe w/o Timer - (380)	20.74	24.92
	370174	P15	1	Impeller 3/4 HP, Pump	CALL	CALL
	370176	9-100-1114	1	Hub Cap - (380/360/340)	1.71	2.05
	370177	9-100-3135	1	Collar, Bag Tie - (360)	3.86	4.64
	370178	9-100-1008	1	Wheel, Double-Side - (380/360)	18.48	22.21
	370179	9-100-1116	1	Wheel, Single-Side - (380/360)	15.08	18.12
	370180	9-100-1007	1	Transfer Pulley Drive Shaft Assy. - (380/360)	28.27	33.97
	370184	K15	1	Leaf Bag - (280) <sup>2</sup>	60.01	72.11
	370185	9-100-1012	1	Leaf Bag - (380/360) <sup>3</sup>	60.01	72.11
	370186	9-100-5107	2	E-Clip SS - (380/360)	1.53	1.84
	370187	P20	1	Plug 1/8 in. NPTM, Pump	2.90	3.48
	370189	9-100-3103	1	Feed Hose 1FT - (360)	5.65	6.79
	370198	B20	1	Adj Screw Sweep Hose - (380/360/280/180)	3.44	4.13
	E25	9-100-9002	1	Pressure Relief Valve - (380/280/180)	16.95	20.37
	EC83	C83	1	Turbine Shaft Tube - (280/180)	3.12	3.75
	EH07	N/A	4	Sweep Hose, Sleeves	5.80	6.97
	L91001017	9-100-1017	1	Belt Kit, Small & Large - (380/360)	43.78	52.61
	LA115	P65	2	Bolt SS, Stand to Bracket And Motor	3.88	4.66
	LA125	P25	2	Nut/Bolt SS For Volute to Bracket	3.73	4.48
	LA45	A45	1	Float Arm Repair Kit - (180)	25.10	30.16
	LBB91001108	9-100-1108	2	Wheel Bearing - (380/360/340)	11.04	13.27
	LC115	C115	2	Elbow for Turbine Cvr or Feed Mast Tube	9.43	11.33
	LC36	C36	1	Swing Axle Kit (280/180)	18.78	22.57
	LD45	D45	1	Feed Hose, 10 ft. Wht - (380/280/180)	36.53	43.89
	LD50	D50	1	Leader Feed Hose Clr 10 ft. - (380/280/180)	CALL	CALL
	LL209	G5	1	Feed Hose Compl, with Back-Up Valve	386.85	464.84
	LX10	9-100-1200	1	Back-Up Valve - (360)	119.33	143.39
	LX17	9-100-3102	1	Feed Hose 6Ft - (360)	30.04	36.10
	LX19	9-100-3002	1	Swivel Hose - (360)	23.43	28.15
	LX20	9-100-3109	2	Hose Nut - (360)	7.32	8.80
	LXW22	9-100-3006 9-100-3009	1	Quick Disconnect UWF with Pressure Relief Valve - (360)	36.32	43.64
	370239	P133	4	Quick Connect Fittings for Booster Pump	36.20	43.50

<sup>1</sup> Required to adapt Pentair Bag to 380/360 Includes Debris Valve.

<sup>2</sup> Requires Bag Conversion Kit 370060 on initial replacement conversion kit.

<sup>3</sup> Requires Bag 370059 on initial replacement.

Note: These parts are manufactured by Pentair Water Pool and Spa, Inc. as replacements for designated Zodiac Pool Systems, Inc. ("Zodiac") products. Polaris® is a registered trademark of Zodiac.

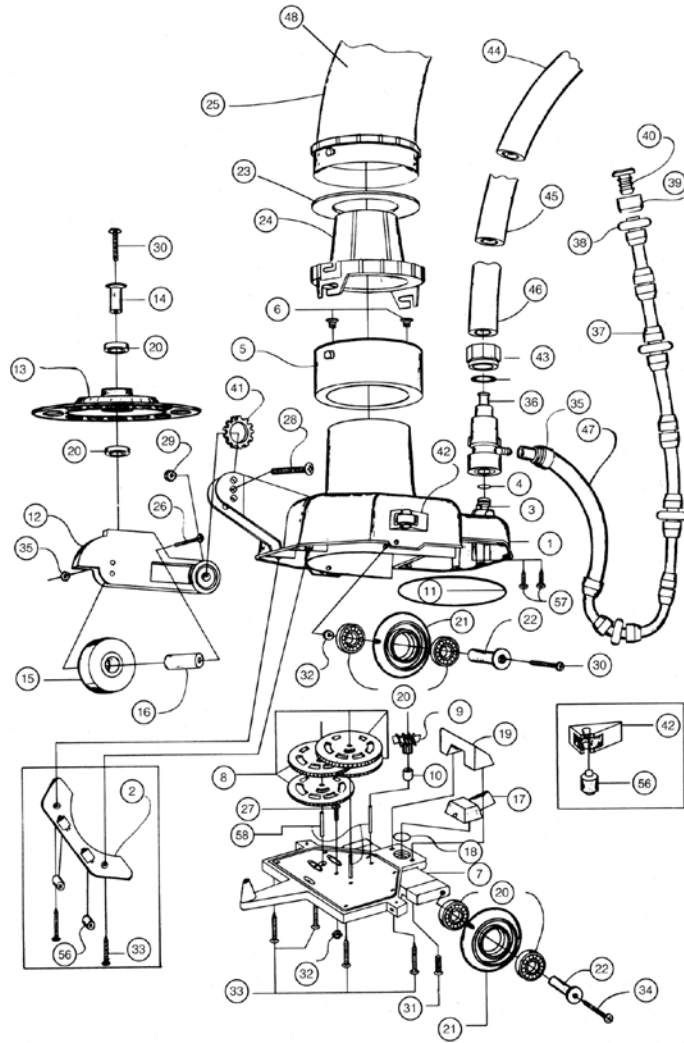


# JET-VAC® - JV105

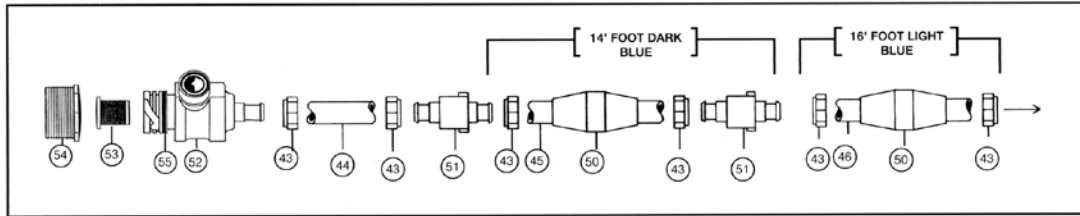
## CLEANER REPLACEMENT PARTS

CALIFORNIA PROPOSITION 65 WARNING

⚠️ **WARNING:** Cancer and Reproductive Harm.  
 ⚠️ **AVERTISSEMENT:** Peut Causer le Cancer et des Dommages au Système Reproducteur.  
 ⚠️ **ADVERTENCIA:** Cáncer y Daño Reproductivo.  
[www.p65warnings.ca.gov](http://www.p65warnings.ca.gov)



HOSE KIT - # JV209



Item	Part No.	Qty.	Description	US List	Can. List
<b>JET-VAC -JV105 REPLACEMENT PARTS</b>					
1	JV2C		Venturi Shell (Blue)	248.22	298.26
2	JV2B		Deflector Assembly	39.34	47.27
3	JV3		Connector	14.94	17.95
4	EF07	2	O-Ring for JV3	2.21	2.66
5	JV4		Shell Float	87.69	105.37
6	JV4B		Adjustment Bushing for Shell Float Cover	4.24	5.09

Item	Part No.	Qty.	Description	US List	Can. List
7	JV5		Gear Plate	178.89	214.95
7	JV5C		Gear Plate with Gears	242.32	291.17
8	JV7	4	Gear	69.98	84.09
9	JV8		Propeller	15.17	18.23
10	JV9		Spacer for Propeller	6.04	7.26
11	JV11		O-Ring for JV2C	2.81	3.38
12	JV12		Roller Arm	49.33	59.27

# JET-VAC® - JV105 (CONT'D)

## CLEANER REPLACEMENT PARTS

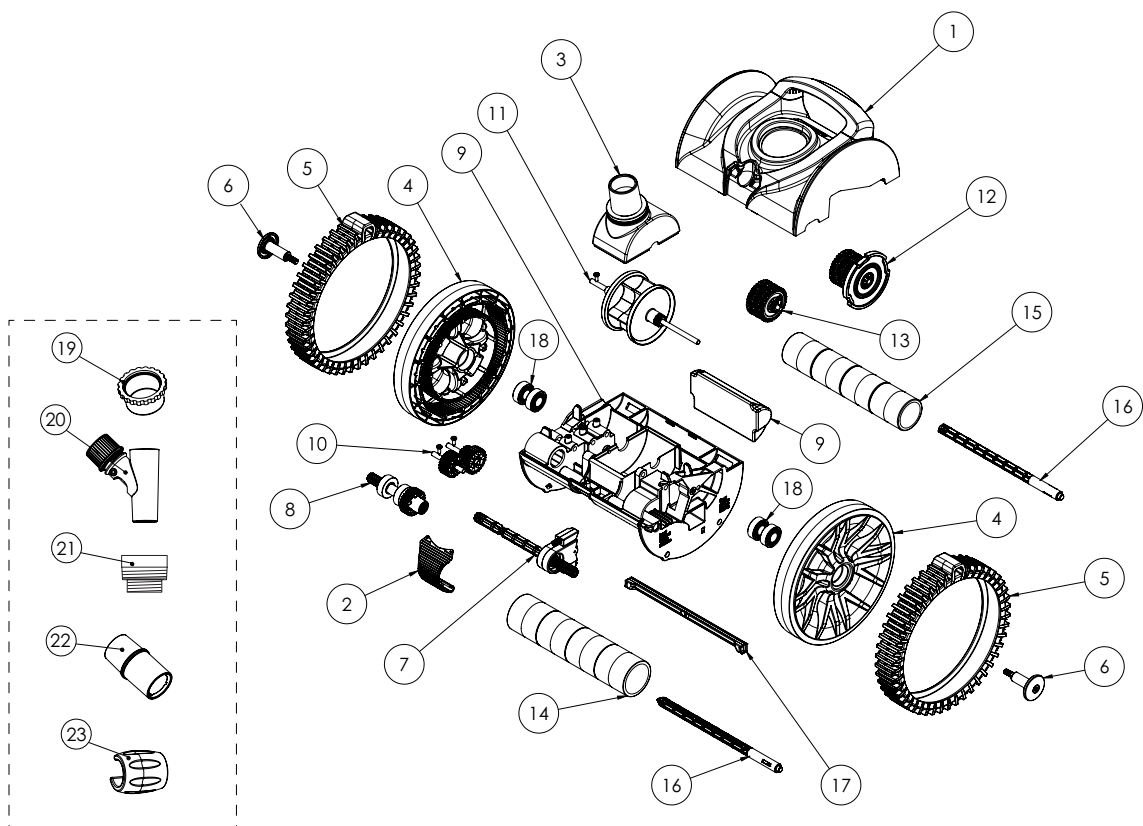
Item	Part No.	Qty.	Description	US List	Can. List
13	JV13		Nose Wheel	50.67	60.89
14	JV14		Nose Wheel Hub	3.87	4.65
15	JV15		S. Steel Wheel	47.45	57.02
16	JV16		Hub for S. Steel Wheel	5.55	6.67
17	JV17		Pusher Jet Nozzle	28.79	34.59
18	E18		O-Ring for Pusher Jet	3.27	3.93
19	JV19		Pusher Jet Nozzle Holder	45.64	54.84
20	LG35B	2	Bearing	25.27	30.36
21	JV21	2	Tire	10.15	12.20
22	JV22	4	Hub for Tire	11.58	13.91
23	JV29		Funnel Adapter Gasket	10.93	13.13
24	JV30		Funnel Adapter	98.61	118.49
25	JV32		Fine Silt Bag with Locking Ring	52.04	62.53
26	JV39	2	Screw for S. Steel Wheel	2.84	3.41
27	JV40	2	Screw for Gear Plate Center	5.78	6.95
28	JV41	2	Screw for Roller Arm	2.84	3.41
29	EU78	2	Nut for Roller Arm	4.24	5.09
30	JV43	3K	Screw for Front Tire Hub & Nose Wheel Hub	2.11	2.54
31	JV44	2	Screw for Pusher Jet Holder	1.32	1.59
32	JV45	5	Nut for JV43 and JV40	5.21	6.26
33	JV46	5	Screw for JV5C and JV2B	3.53	4.24
34	JV48	2	Screw for Back Tires	1.59	1.91
35	JV45		Nut, Nylon 6-32, 5 Pack	5.21	6.26
36	JV50		Quick Disconnect Swivel	68.17	81.91
37	JV53	4	Hose Sleeve	6.87	8.25
38	JV54	5	Roller Ring	33.94	40.78
39	JV55		Hose Jet Collar	5.55	6.67
40	JV56		Hose Jet	6.72	8.07
41	JV61	2	Lock Washer for Roller Arm	7.35	8.83
42	JV62	2	Side Wheel Assembly	25.41	30.53
43	ED15	2	Hose, Mender - Plastic	9.43	11.33
44	JV501		2 in. Hose, Feeder - First Section - White	12.38	14.88
45	JV502		14 in. Hose, Feeder - Second Section - Dark Blue (Hard)	CALL	CALL
46	JV503		16 in. Hose, Feeder - Third Section - Light Blue (Soft)	87.78	105.48
47	JV52		Sweep Hose - Complete	90.60	108.86
48	JV31		Coarse Mesh Leaf Bag w/ Locking Ring	52.04	62.53
50	ED10P		Feed Hose Float	8.22	9.88
51	ED05		Swivel	18.04	21.68
52	EW22		Wall Fitting - Complete	43.23	51.95
53	E24		Screen For Wall Fitting	11.78	14.15
54	E23		Quick Disconnect Adapter	5.70	6.85
55	E21	2	O-Ring For Wall Fitting	4.61	5.54
56	JV64	2	Sidewheels	11.99	14.41
57	LG10	2	Screws for JV3	2.21	2.66
58	JV6	3	Shaft	27.94	33.57
<b>JET-VAC GEAR TUNE-UP KIT - JV204</b>					
	JV204		Kit includes	106.43	127.89
	JV6	3	Shaft	27.94	33.57
	JV9	1	Spacer	6.04	7.26
	JV7	4	Gear Beige	69.98	84.09
	JV8	1	Impeller Beige	15.17	18.23

Item	Part No.	Qty.	Description	US List	Can. List
<b>JET-VAC TUNE-UP KIT - JV205</b>					
	JV205		Kit includes	436.62	524.64
	JV5C	1	Gear Plate w/ Gears	242.32	291.17
	JV21	2	Tires - 2-Pk	10.15	12.20
	LG35B	5	Bearings - 2-Pk	25.27	30.36
	JV52	1	Sweep Tail - Complete	90.60	108.86
	JV11	1	O-Ring for Gear Plate	2.81	3.38
	JV32	1	Debris Bag	52.04	62.53
	JV4B	1	Adjustment Bushings	4.24	5.09
<b>JET-VAC OVERHAUL KIT - JV206</b>					
	JV206		Kit includes	676.80	813.24
	JV4	1	Shell Float Housing	87.69	105.37
	JV2B	1	Defector Plate w/ Rollers	39.34	47.27
	JV5C	1	Gear Plate w/ Gears	242.32	291.17
	JV21	2	Tires - 2-Pk	10.15	12.20
	JV30	1	Funnel Adaptor	98.61	118.49
	JV32	1	Debris Bag	52.04	62.53
	JV52	1	Sweep Tail - Complete	90.60	108.86
	JV62	1	Side Wheel - Complete	25.41	30.53
	LG35B	5	Bearings	25.27	30.36
	JV11	1	O-Ring for Gear Plate	2.81	3.38
	JV13	1	Nose Wheel	50.67	60.89
<b>JET-VAC HOSE KIT - JV209</b>					
	JV209		Kit includes	CALL	CALL
	JV501	1	2 ft. Hose, Feeder - First Section/White	12.38	14.88
	JV502	1	14 ft. Hose, Feeder - Second Section/Lt. Blue	CALL	CALL
	JV503	1	16 ft. Hose, Feeder - Third Section/Drk. Blue	87.78	105.48
	JV52	1	Sweep Tail - Complete	90.60	108.86
	EW22	1	Wall Fitting - Complete	43.23	51.95
	ED10P	4	Floats	8.22	9.88
	ED15	3	Mender Nuts - 2-Pk	9.43	11.33
	ED05	2	Swivels	18.04	21.68
	JV50	1	Disconnect Swivel with Barb	68.17	81.91
<b>JET-VAC FEED HOSE COMPLETE - JV504C</b>					
	JV504C		Kit includes	CALL	CALL
	JV501	1	2 ft. Hose, Feeder - First Section/White	12.38	14.88
	JV502	1	14 ft. Hose, Feeder - Second Section/Lt. Blue	CALL	CALL
	JV503	1	16 ft. Hose, Feeder - Third Section/Drk. Blue	87.78	105.48
	JV52	1	Sweep Tail - Complete	90.60	108.86
	ED10P	4	Floats	8.22	9.88
	ED15	3	Mender Nuts - 2-Pk	9.43	11.33
	ED05	2	Swivels	18.04	21.68
	JV50	1	Disconnect Swivel with Barb	68.17	81.91

Jet-Vac® is a registered trademark of Automatic Pool Cleaners (Australia) Pty Limited.

<p><b>CALIFORNIA PROPOSITION 65 WARNING</b></p> <p><b>⚠ WARNING:</b> Cancer and Reproductive Harm.  <b>⚠ AVERTISSEMENT:</b> Peut Causer le Cancer et des Dommages au Système Reproducteur.  <b>⚠ ADVERTENCIA:</b> Cáncer y Daño Reproductivo.</p> <p>www.p65warnings.ca.gov.</p>
--

# PENTAIR REBEL® CLEANER REPLACEMENT PARTS

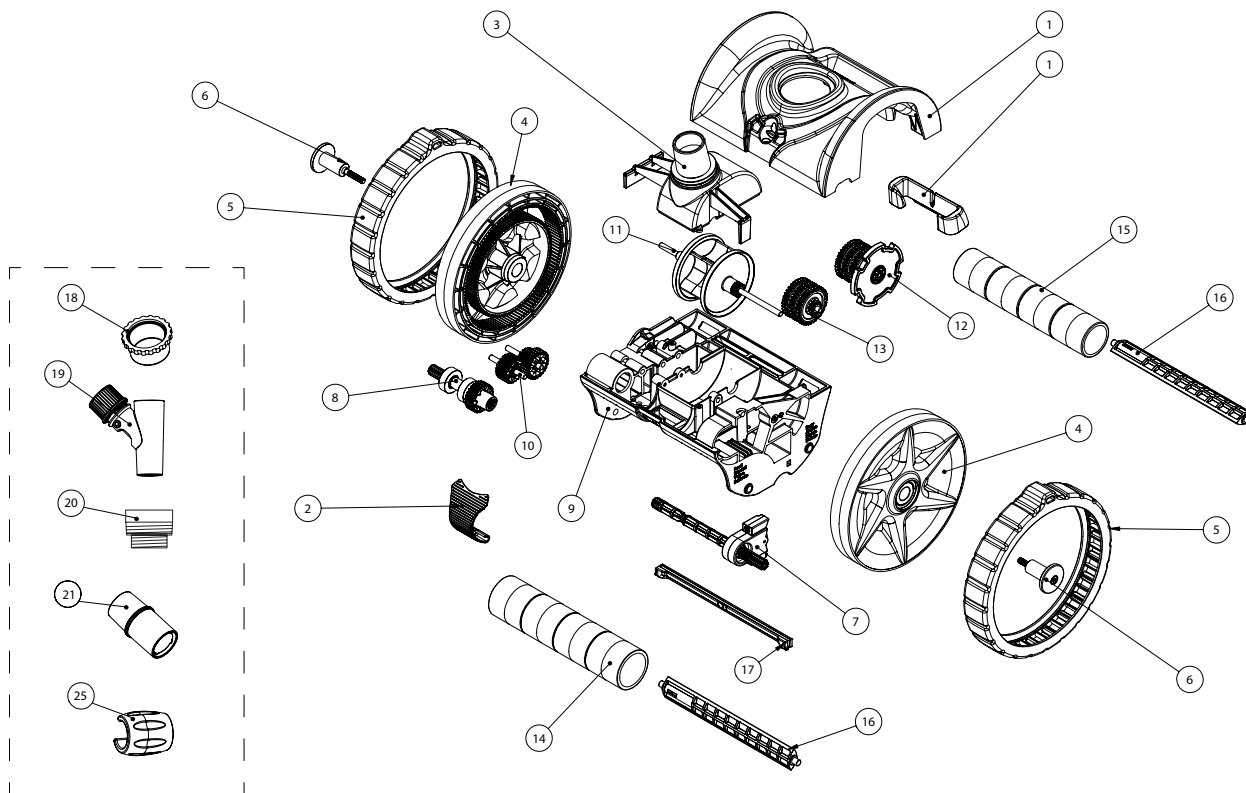


Item	Part No.	Qty.	Description	US List	Can. List
<b>PENTAIR REBEL REPLACEMENT PARTS</b>					
1	360477	1	Top Cover Kit	66.80	80.27
2	360284	1	Buckle Kit	8.87	10.66
3	360453	1	Swivel Kit	31.11	37.38
4	360480	1	Wheel Kit	58.11	69.82
5	360482	1	Tire Kit	78.41	94.22
6	360483	1	Wheel Hub Kit	23.35	28.06
7	360289	1	Left Drive Kit	40.68	48.88
8	360290	1	Right Drive Kit	46.51	55.89
9	360485	1	Chassis Kit	84.31	101.31
10	360292	1	Drive Gear Kit	13.15	15.80
11	360293	1	Turbine Kit	34.17	41.06
12	360294	1	Cam Kit	17.53	21.06
13	360295	1	Cam Gear Kit	17.53	21.06
14	360296	1	Front Roller Kit	40.68	48.88
15	360297	1	Rear Roller Kit	34.98	42.03
16	360487	1	Roller Bar Kit	29.16	35.04
17	360299	1	Wear Bar Kit	CALL	CALL
18	360492	1	Bearing Kit	30.52	36.67
19	41200-0211	1	Valve Cap	CALL	CALL

Item	Part No.	Qty.	Description	US List	Can. List
20	412-0213	1	Regulator Valve	CALL	CALL
21	K12079	1	Threaded Compression Adaptor	12.02	14.44
22	41200-0212	1	Flow Gauge	31.63	38.01
23	360300	1	Hose Float	CALL	CALL
<b>NOT SHOWN</b>					
	GW9530	1	Vacuum Line Door	60.02	72.12
	41201-0236	2	Eyeball Diverter	0.52	0.62
	K12465	1	Hose Protector	9.04	10.86
	K01213	1	Hose Set	260.66	313.21
	360488	1	Leader Hose Replacement	49.41	59.37
	360490		Large Hump Tire	82.82	99.52
	360491		Long Run Cam	CALL	CALL



# PENTAIR REBEL® 2018 AND EARLIER MODELS CLEANER REPLACEMENT PARTS



Item	Part No.	Qty.	Description	US List	Can. List
<b>PENTAIR REBEL REPLACEMENT PARTS</b>					
1	360283	1	Top Cover Kit	66.80	80.27
2	360284	1	Buckle Kit	8.87	10.66
3	360285	1	Swivel Kit	CALL	CALL
4	360286	1	Wheel Kit	58.12	69.84
5	360287	1	Tire Kit	78.42	94.23
6	360288	1	Wheel Hub Kit	23.35	28.06
7	360289	1	Left Drive Kit	40.68	48.88
8	360290	1	Right Drive Kit	46.51	55.89
9	360291	1	Bottom Cover Kit	159.40	191.54
10	360292	1	Drive Gear Kit	13.15	15.80
11	360293	1	Turbine Kit	34.17	41.06
12	360294	1	Cam Kit	17.53	21.06
13	360295	1	Cam Gear Kit	17.53	21.06
14	360296	1	Front Roller Kit	40.68	48.88
15	360297	1	Rear Roller Kit	34.98	42.03
16	360298	1	Roller Bar Kit	29.17	35.05
17	360299	1	Wear Bar Kit	CALL	CALL

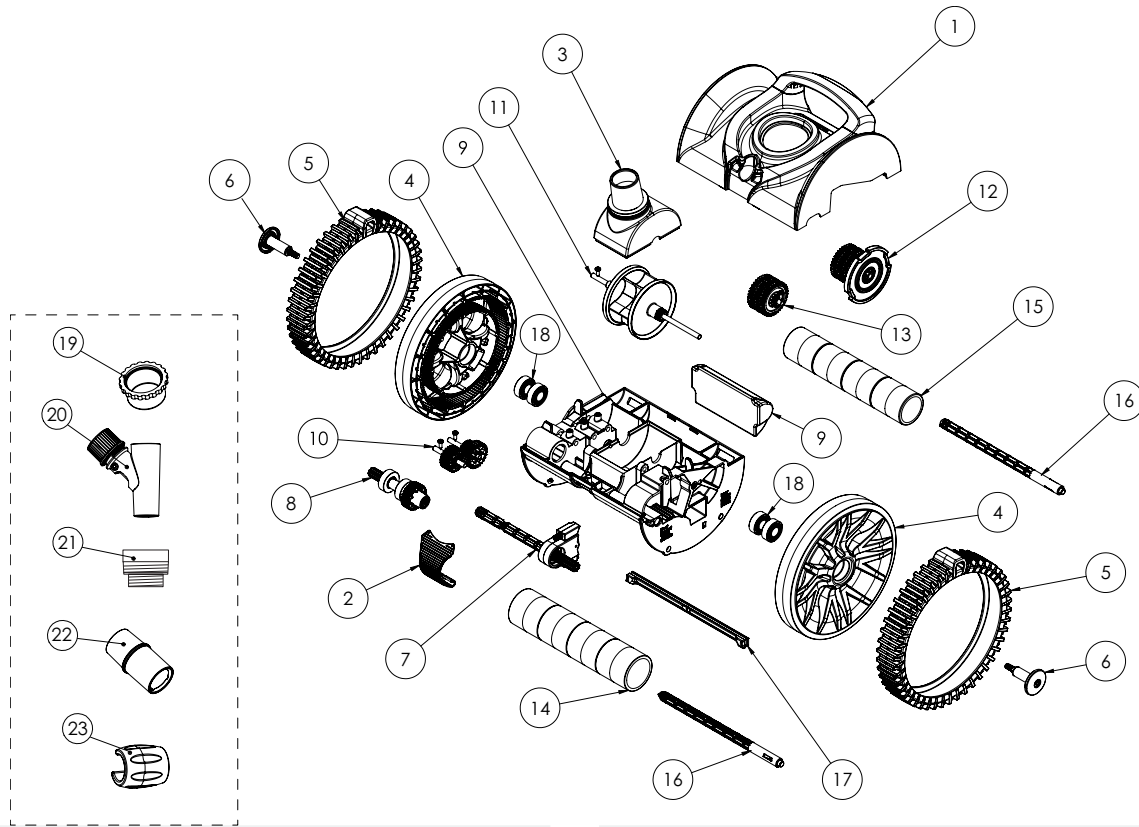
Item	Part No.	Qty.	Description	US List	Can. List
18	41200-0211	1	Valve Cap	CALL	CALL
19	41200-0213	1	Regulator Valve	62.32	74.88
20	K12079	1	Threaded Compression Adaptor	12.02	14.44
21	41200-0212	1	Flow Gauge	31.63	38.01
25	360300	1	Hose Float	CALL	CALL
<b>NOT SHOWN</b>					
22	GW9530	1	Vacuum Line Door	60.02	72.12
23	41201-0236	2	Eyeball Diverter	0.52	0.62
24	K12465	1	Hose Protector	9.04	10.86
26	K01213	1	Hose Set	260.66	313.21
27	GW7911	1	Leader Hose	14.85	17.84
	360326		Large Hump Tire	82.81	99.50
	360327		Long Run Cam	29.11	34.98

CALIFORNIA PROPOSITION 65 WARNING

⚠ **WARNING:** Cancer and Reproductive Harm.  
 ⚠ **AVERTISSEMENT:** Peut Causer le Cancer et des Dommages au Système Reproducteur.  
 ⚠ **ADVERTENCIA:** Cáncer y Daño Reproductivo.  
[www.p65warnings.ca.gov](http://www.p65warnings.ca.gov)

# KREEPY KRAULY® WARRIOR®

## CLEANER REPLACEMENT PARTS



Item	Part No.	Qty.	Description	US List	Can. List
<b>KREEPY KRAULY WARRIOR REPLACEMENT PARTS</b>					
1	360478	1	Top Cover Kit	CALL	CALL
2	360305	1	Buckle Kit	14.81	17.80
3	360453	1	Swivel Kit	31.11	37.38
4	360481	1	Wheel Kit	CALL	CALL
5	360482	1	Tire Kit	78.41	94.22
6	360483	1	Wheel Hub Kit	23.35	28.06
7	360289	1	Left Drive Kit	40.68	48.88
8	360290	1	Right Drive Kit	46.51	55.89
9	360485	1	Chassis Kit	84.31	101.31
10	360292	1	Drive Gear Kit	13.15	15.80
11	360293	1	Turbine Kit	34.17	41.06
12	360294	1	Cam Kit	17.53	21.06
13	360295	1	Cam Gear Kit	17.53	21.06
14	360296	1	Front Roller Kit	40.68	48.88
15	360297	1	Rear Roller Kit	34.98	42.03
16	360487	1	Roller Bar Kit	29.16	35.04

Item	Part No.	Qty.	Description	US List	Can. List
17	360299	1	Wear Bar Kit	CALL	CALL
18	360492	1	Bearing Kit	30.52	36.67
19	41200-0211	1	Valve Cap	CALL	CALL
20	41200-0213	1	Regulator Valve	62.32	74.88
21	K12079	1	Threaded Compression Adaptor	12.02	14.44
22	41200-0212	1	Flow Gauge	31.63	38.01
23	360317	1	Hose Float	29.71	35.70
<b>NOT SHOWN</b>					
	GW9530	1	Vacuum Line Door	60.02	72.12
	41201-0236	2	Eyeball Diverter	0.52	0.62
	K12465	1	Hose Protector	9.04	10.86
	360309	1	Hose Set	255.21	306.66
	360489	1	Leader Hose	CALL	CALL
	360490	1	Large Hump Tire	82.82	99.52
	360491	1	Long Run Cam	CALL	CALL

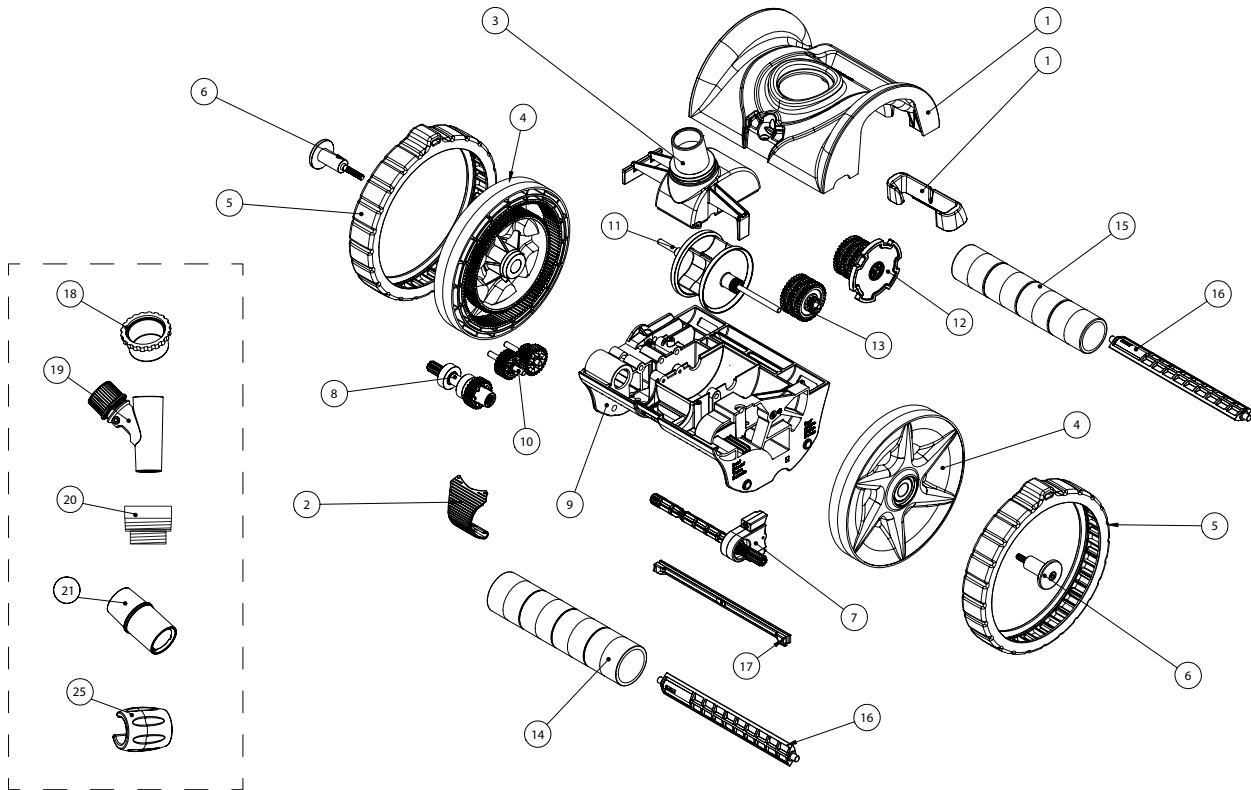
**CALIFORNIA PROPOSITION 65 WARNING**

⚠ **WARNING:** Cancer and Reproductive Harm.  
 ⚠ **AVERTISSEMENT:** Peut Causer le Cancer et des Dommages au Système Reproducteur.  
 ⚠ **ADVERTENCIA:** Cáncer y Daño Reproductivo.  
[www.p65warnings.ca.gov](http://www.p65warnings.ca.gov)

Product on page 24.

# KREEPY KRAULY® WARRIOR® 2018 AND EARLIER MODELS

## CLEANER REPLACEMENT PARTS



Item	Part No.	Qty.	Description	US List	Can. List
<b>KREEPY KRAULY WARRIOR REPLACEMENT PARTS</b>					
1	360304	1	Top Cover Kit	67.60	81.23
2	360305	1	Buckle Kit	14.81	17.80
3	360285	1	Swivel Kit	CALL	CALL
4	360306	1	Wheel Kit	29.22	35.11
5	360287	1	Tire Kit	78.42	94.23
6	360288	1	Wheel Hub Kit	23.35	28.06
7	360289	1	Left Drive Kit	40.68	48.88
8	360290	1	Right Drive Kit	46.51	55.89
9	360291	1	Bottom Cover Kit	159.40	191.54
10	360292	1	Drive Gear Kit	13.15	15.80
11	360293	1	Turbine Kit	34.17	41.06
12	360294	1	Cam Kit	17.53	21.06
13	360295	1	Cam Gear Kit	17.53	21.06
14	360296	1	Front Roller Kit	40.68	48.88
15	360297	1	Rear Roller Kit	34.98	42.03

Item	Part No.	Qty.	Description	US List	Can. List
16	360298	1	Roller Bar Kit	CALL	CALL
17	360299	1	Wear Bar Kit	62.32	74.88
18	41200-0213	1	Regulator Valve Kit	12.02	14.44
20	K12079	1	Threaded Compression Adaptor	31.63	38.01
21	41200-0212	1	Flow Gauge	29.71	35.70
25	360317	1	Hose Float	28.39	34.11
<b>NOT SHOWN</b>					
22	GW9530	1	Vacuum Line Door	60.02	72.12
23	41201-0236	2	Eyeball Diverter	0.52	0.62
24	K12465	1	Hose Protector	9.04	10.86
26	360309	1	Hose Set	255.21	306.66
27	360308	1	Leader Hose	CALL	CALL
	360326		Large Hump Tire	82.81	99.50
	360327		Long Run Cam	29.11	34.98

**CALIFORNIA PROPOSITION 65 WARNING**

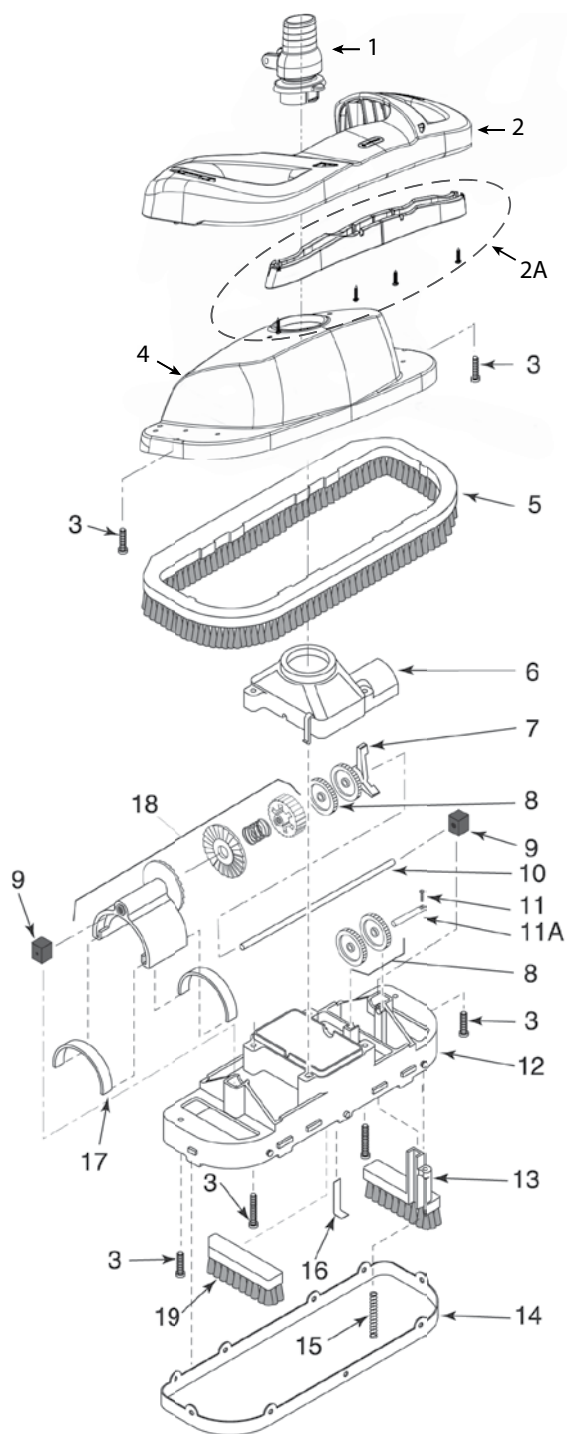
⚠ **WARNING:** Cancer and Reproductive Harm.  
 ⚠ **AVERTISSEMENT:** Peut Causer le Cancer et des Dommages au Système Reproducteur.  
 ⚠ **ADVERTENCIA:** Cáncer y Daño Reproductivo.  
[www.p65warnings.ca.gov](http://www.p65warnings.ca.gov)

PA 201714

# PENTAIR DORADO®

## CLEANER REPLACEMENT PARTS

Item	Part No.	Description	US List	Can. List
<b>DORADO REPLACEMENT PARTS</b>				
1	GW9012	Swivel Assembly	29.58	35.54
2	360152	Bumper	50.83	61.08
2A	360154	Bumper Insert Kit (Includes Bumper Inserts & 4 Bumper Insert Screws)	25.13	30.20
3	GW9504	Screw Kit (6 short, 2 long)	13.89	16.69
4	360153	Shroud	37.54	45.11
5	GW9505	Brush Ring	108.62	130.52
6	GW9506	Oscillator Chamber Cap	46.19	55.50
7	GW9507	Cam Kit (2 & 3 Leg Cams)	32.58	39.15
8	GW9509	Idler Gear Kit (Includes 3 Gears)	32.34	38.86
9	GW9512	Block Kit (Includes 2 Blocks)	18.03	21.66
10	GW9513	Long Gear Shaft (Stainless Steel)	46.18	55.49
11		Set Screw #4 Self Tapping Not Available Separately		
11A	GW9536	Shaft Kit, Stainless Steel (Includes Set Screw)	16.50	19.83
12	GW9535	Lower Body <sup>1</sup>	116.34	139.79
13	GW9517	Lift Brush	36.96	44.41
14	GW9508	Vacuum Skirt	26.11	31.37
15	GW9522	Lift Brush Spring	11.86	14.25
16	GW9523	Ratchet Tab (Stainless Steel)	10.63	12.77
17	GW9004	Oscillator Seal Kit (Includes 2 Seals)	14.55	17.48
18	GW9503	Oscillator Assembly Kit (Includes Key #17) (Ratchet Assembly not sold separately)	150.10	180.36
19	GW9013	Center Brush Kit (Set of 2)	41.89	50.34
<b>NOT SHOWN</b>				
	41200-0131	Hose Kit, 12 sections, each 4 ft. in length	CALL	CALL
	41200-0200	Vacuum Regulator	CALL	CALL
	41200-0211	Vacuum Regulator Cap	CALL	CALL
	GW9015	Reducer Cone	23.35	28.06
	GW9019	Unidapt Handle	12.27	14.74
	GW9530	Vac Port Fitting	60.02	72.12
	41200-0210	Flow Gauge	CALL	CALL



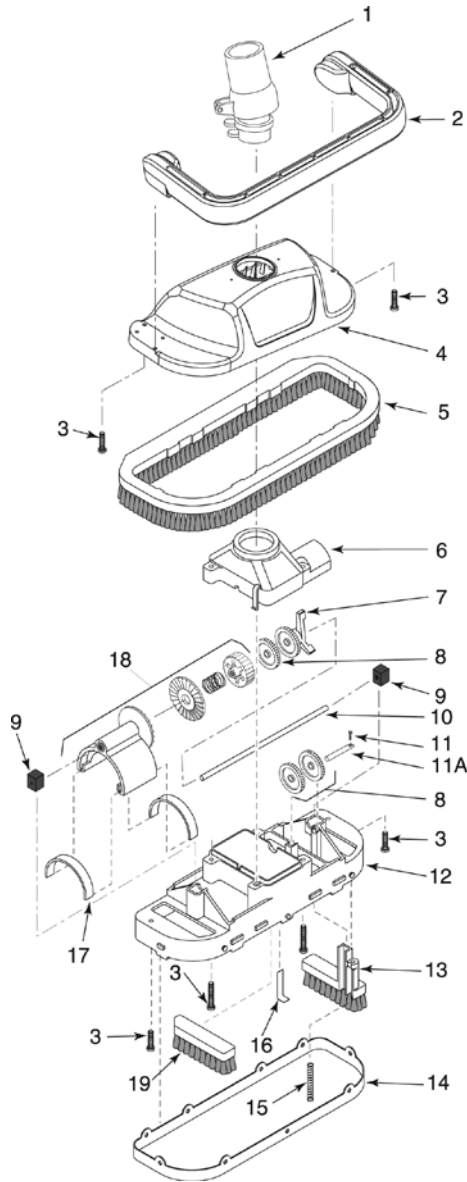
<sup>1</sup> Includes Item Nos. 6, 11A, 13, 15, 16, two idler gears and 2-arm cams

CALIFORNIA PROPOSITION 65 WARNING

⚠ **WARNING:** Cancer and Reproductive Harm.  
 ⚠ **AVERTISSEMENT:** Peut Causer le Cancer et des Dommages au Système Reproducteur.  
 ⚠ **ADVERTENCIA:** Cáncer y Daño Reproductivo.  
[www.p65warnings.ca.gov](http://www.p65warnings.ca.gov)

# KREEPY KRAULY® GREAT WHITE®

## CLEANER REPLACEMENT PARTS



Item	Part No.	Description		
<b>GREAT WHITE REPLACEMENT PARTS</b>				
1	GW9012	Swivel Assembly	29.58	35.54
2	360227	Bumper	89.66	107.74
3	GW9504	Screw Kit (6 short, 2 long)	13.89	16.69
4	GW9501	Shroud	159.27	191.38
5	GW9505	Brush Ring Kit (Includes Vacuum Skirt)	108.62	130.52
6	GW9506	Oscillator Chamber Cap	46.19	55.50
7	GW9507	Cam Kit (2 & 3 Leg Cams)	32.58	39.15
8	GW9509	Idler Gear Kit (Includes 3 Gears)	32.34	38.86
9	GW9512	Block Kit (Includes 2 Blocks)	18.03	21.66
10	GW9513	Long Gear Shaft (Stainless Steel)	46.18	55.49
11		Shaft Mounting Screw (included in Part No. 11A)		
11A	GW9536	Shaft Kit - Includes Part No. 11	16.50	19.83
12	GW9535	Lower Body	116.34	139.79
13	GW9517	Lift Brush	36.96	44.41
14	GW9508	Vacuum Skirt	26.11	31.37
15	GW9522	Lift Brush Spring	11.86	14.25
16	GW9523	Ratchet Tab (Stainless Steel)	10.63	12.77
17	GW9004	Oscillator Seal Kit (Includes 2 Seals)	14.55	17.48
18	GW9503	Oscillator Assembly Kit (Includes Item #17, Ratchet Ass'y not sold separately)	150.10	180.36
19	GW9013	Center Brush Kit (Set of 2)	41.89	50.34
<b>NOT SHOWN</b>				
	GW9527	Ratchet Tab Service Kit	18.20	21.87
	41200-0213	Vacuum Regulator and Cap	62.32	74.88
	GW9015	Reducer Cone	23.35	28.06
	GW9019	Unidapt Handle	12.27	14.74
	GW9530	Vac Port Fitting	60.02	72.12
	41200-0212	Flow Gauge	31.63	38.01
	41200-0130	Hose Sectional Kit with Leader, 40 ft.	263.16	316.21
	41200-0133	Hose, bulk pack 20, 1-1/2 in. M/F sections	360.18	432.79
	41200-0134	Hose bulk pack 12, leader sections	243.04	292.04
	77705-0200	Accessory Pkg. includes: GW9012, 41200-0213, GW9015, GW9019, GW9530, 41200-0212	90.74	109.03

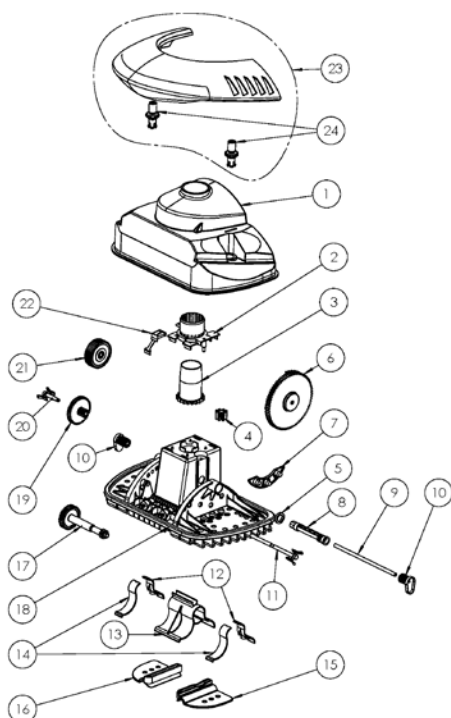
CALIFORNIA PROPOSITION 65 WARNING

⚠️ **WARNING:** Cancer and Reproductive Harm.  
 ⚠️ **AVERTISSEMENT:** Peut Causer le Cancer et des Dommages au Système Reproducteur.  
 ⚠️ **ADVERTENCIA:** Cáncer y Daño Reproductivo.

[www.p65warnings.ca.gov](http://www.p65warnings.ca.gov)
PK2017A

# KREEPY KRAULY® SANDSHARK™

## CLEANER REPLACEMENT PARTS



CALIFORNIA PROPOSITION 65 WARNING  
 ⚠️ **WARNING:** Cancer and Reproductive Harm.  
 ⚠️ **AVERTISSEMENT:** Peut Causer le Cancer et des Dommages au Système Reproducteur.  
 ⚠️ **ADVERTENCIA:** Cáncer y Daño Reproductivo.  
[www.p65warnings.ca.gov](http://www.p65warnings.ca.gov) PH201714A

Product on page 28.

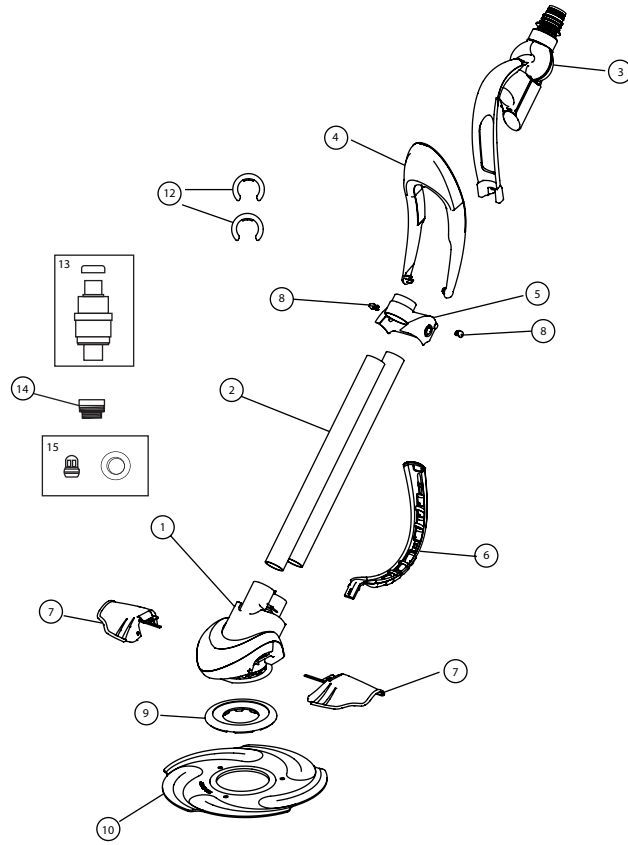
Item	Part No.	Qty.	Description	US List	Can. List
<b>STEERING KIT (Incl. Item #'s 2,3,4, 24)</b>					
	GW7910		Steering Kit (Incl. Key Nos. 2, 3, 4 & 22)	26.25	31.54
2		1	Swivel Housing		
3			Swivel		
4			Swivel Sprocket		
22			Clutch Clip		
<b>CLUTCH KIT (Includes Item #'s 5, 8, 21)</b>					
	GW7503		Clutch Kit (Incl. Key Nos. 5, 8 & 21)	44.28	53.21
5		1	Oscillator Sleeve Bushing		
8		1	Oscillator Sleeve		
21		1	Clutch Assembly		
<b>GEAR KIT (Includes Item #'s 6, 10, 11, 17, 19, 20)</b>					
	GW7504		Gear Kit (Incl. Key Nos. 6, 10, 11, 17, 19 & 20)	91.07	109.43
6		1	Large steering Drive Assembly		
10		2	Shaft Plug		
11		1	Long Sprocket Clip		
17		1	Drive Shaft assembly		
19		1	Center Sprocket		
20		1	Short Sprocket Clip		
<b>OSCILLATOR KIT (Includes Item #'s 12, 13, 14)</b>					
	GW7912		Oscillator Kit (Incl. Key Nos. 12, 13 & 14)	27.50	33.04
12		2	Small Sliding Seal		
13		1	Oscillator		
14		2	Large Sliding Seal		

Item	Part No.	Qty.	Description	US List	Can. List
<b>SEAL FLAP KIT (Includes Item #'s 15, 16)</b>					
	GW7913		Seal Flap Kit (Incl. Key Nos. 15 & 16)	24.86	29.87
15		1	Right Seal Flap		
16		1	Left seal Flap		
<b>ACCESSORY KIT</b>					
	GW7901		Accessory Kit (Not shown)	166.26	199.78
		1	Regulator		
		1	Regulator cap		
		2	Hose Weight		
		1	Flow gage		
		1	Reducer Cone		
		2	Eyeball Diverter		
		1	Vac Port Fitting		
<b>SANDSHARK PARTS</b>					
1	GW7903	1	Outer Housing	21.56	25.91
9	41201-0213	1	Shaft - Stainless Steel	11.50	13.82
18	41201-0242W	1	Chassis with Pad	163.35	196.28
23	GW7902	1	Bumper with flex snaps	89.18	107.16
24	GW7904		Flex Snaps Kit	20.59	24.74
<b>NOT SHOWN</b>					
	GW7911	1	Short Leader Hose	14.85	17.84
	GW7907	25	Suction Hose, 1 Meter segment	443.01	532.32
	41200-0213		Regulator Kit334	62.32	74.88
	41200-0209		Flow Gauge (yellow)	CALL	CALL
	GW9015		Reducer Cone (velve)	23.35	28.06
	K12454		Hose Weight	20.24	24.32



# KREEPY KRAULY® - 2013 MODEL

## CLEANER REPLACEMENT PARTS

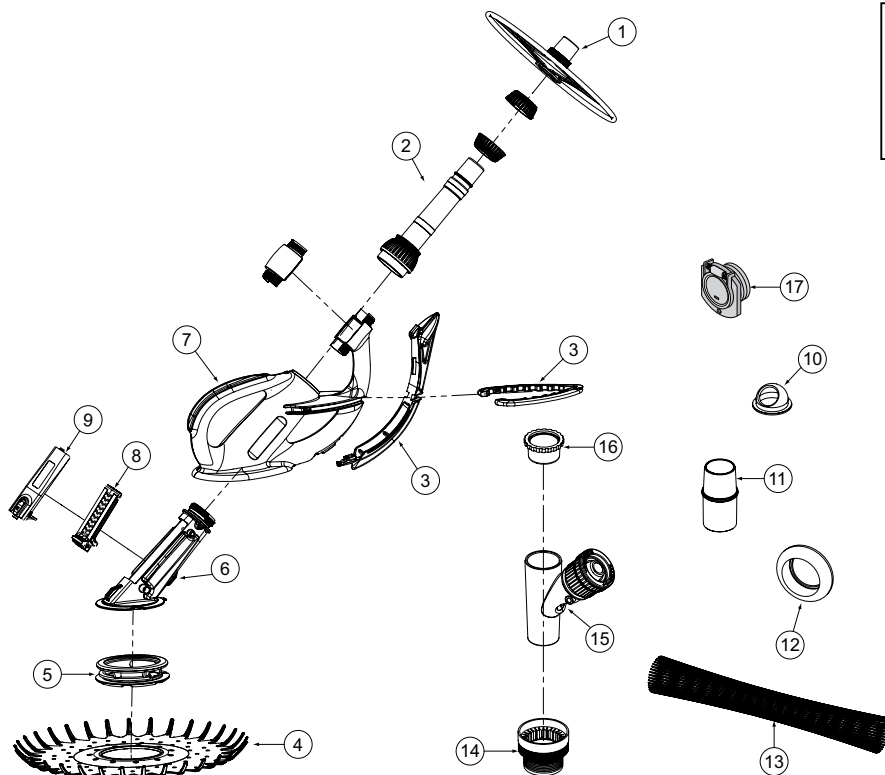


### CALIFORNIA PROPOSITION 65 WARNING

⚠ **WARNING:** Cancer and Reproductive Harm.  
 ⚠ **AVERTISSEMENT:** Peut Causer le Cancer et des Dommages au Système Reproducteur.  
 ⚠ **ADVERTENCIA:** Cáncer y Daño Reproductivo.  
[www.p65warnings.ca.gov](http://www.p65warnings.ca.gov)

Item	Part No.	Description	US List	Can. List
<b>KREEPY KRAULY REPLACEMENT PARTS</b>				
1	370500Z	Main Body Motor Housing	369.47	443.96
2	370486Z	Drive Tube (contains 1 tube)	24.93	29.96
3	370496Z	Swivel Assembly	73.56	88.39
4	370497Z	Dive Float	83.59	100.44
5	370498Z	Weight Holder (includes dive float restrictor set)	28.25	33.95
6	370499Z	Bumper Assembly	40.12	48.21
7	370492Z	Wing Set	48.49	58.27
8	370482Z	Dive Float Restrictor Set (contains 2)	12.68	15.24
9	K12059	Foot Pad	38.63	46.42
10	370478Z	Flat Seal	130.23	156.48
11	370483Z	Pleated Seal (not shown)	130.23	156.48
12	370494Z	Hose Weight (contains 2)	20.84	25.04
13	K12004	Automatic Regulator Valve and Valve Cap Kit	98.93	118.87
14	K12079	Threaded Compression Adaptor	12.02	14.44
15	K121680	Eyeball Diverter and Outer Ring	10.78	12.95
<b>NOT SHOWN</b>				
	370524	40" - 20pc male/female hose set	409.56	492.13
	370533	32" - 12pc male/female hose set	207.66	249.52
	370521	40" - 12pc male/female hose set	258.78	310.95
	370536Z	4" female/female hose	CALL	CALL

# KREEPY KRAULY® KRUISER™ 2012 MODEL CLEANER REPLACEMENT PARTS



CALIFORNIA PROPOSITION 65 WARNING

⚠ **WARNING:** Cancer and Reproductive Harm.  
 ⚠ **AVERTISSEMENT:** Peut Causer le Cancer et des Dommages au Système Reproducteur.  
 ⚠ **ADVERTENCIA:** Cáncer y Daño Reproductivo.

[www.p65warnings.ca.gov](http://www.p65warnings.ca.gov)
PH 201114A

Item	Part No.	Description	US List	Can. List
<b>KREEPY KRUISER PARTS</b>				
1	K12458	Kruiser Deflector Wheel	27.63	33.20
2	K12444	Kruiser Swivel Kit	99.16	119.15
3	K12451	Kruiser Bumper Kit (Horizontal & Vertical)	56.57	67.97
4	K12442	Kruiser 18 in. Vacuum Seal Kit	75.20	90.36
5	K12450	Kruiser Foot Pad Kit	22.73	27.31
6	K12443	Kruiser Internal Kit	83.38	100.19
7	K12441	Kruiser External Housing Kit	147.87	177.68
8	K12415	Kruiser Silent Flapper Kit	36.98	44.44
9	K12412	Kruiser Lid and Lock Kit	20.07	24.12
10	41201-0236	Eyeball Diverter	0.52	0.62
11	41200-0212	Flow Gauge	31.63	38.01
12	370494Z	Hose Weight	20.84	25.04
13	K12465	Hose Protector	9.04	10.86
14	K12079	Threaded Compression Adapter	12.02	14.44
15	41200-0214	Regulator Valve (Adjustable) and Regulator Cap	98.93	118.87
17	K12500	Safety Vac-Lock Fitting	69.69	83.74
<b>NOT SHOWN</b>				
	K01213	Hose Kit (12 M/F Sections)	260.66	313.21

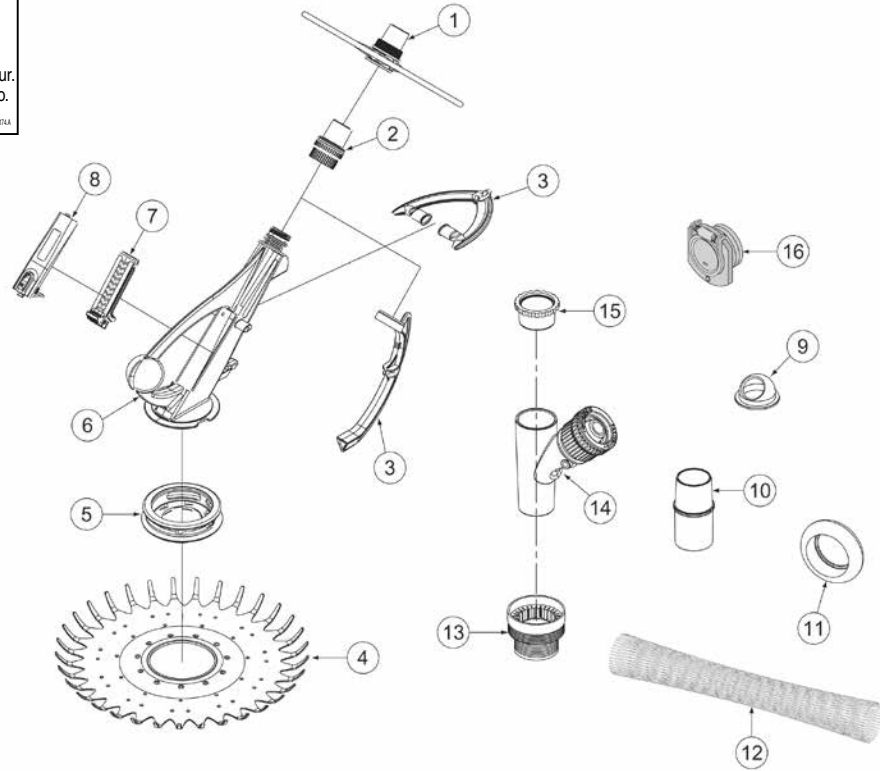


# KREEPY KRAULY® KRUISER™ 2011 AND EARLIER MODELS

## CLEANER REPLACEMENT PARTS

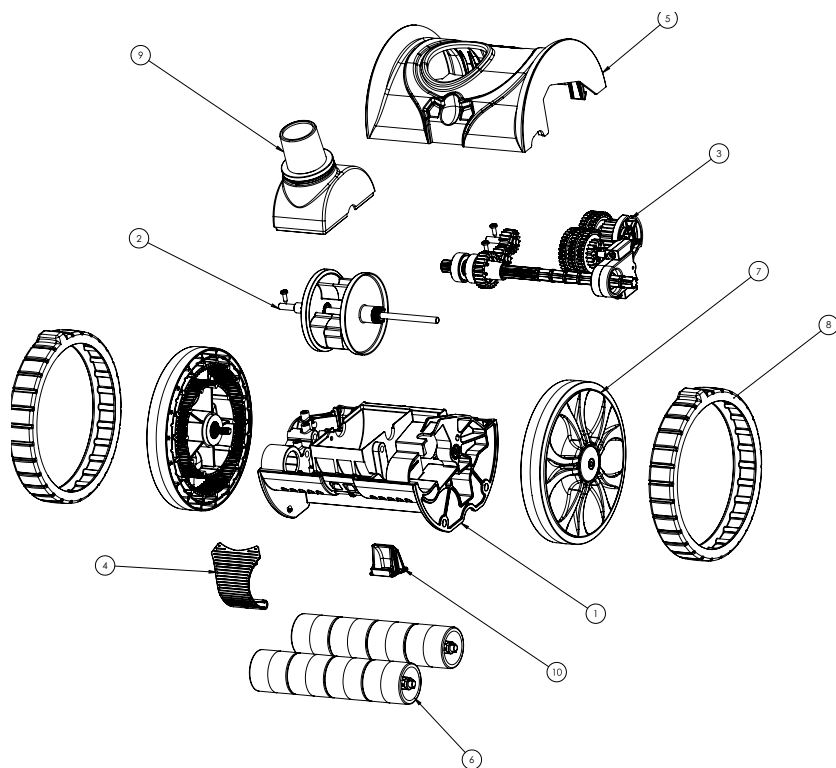
**CALIFORNIA PROPOSITION 65 WARNING**

⚠ **WARNING:** Cancer and Reproductive Harm.  
 ⚠ **AVERTISSEMENT:** Peut Causer le Cancer  
 et des Dommages au Système Reproducteur.  
 ⚠ **ADVERTENCIA:** Cáncer y Daño Reproductivo.  
[www.p65warnings.ca.gov](http://www.p65warnings.ca.gov)



Item	Part No.	Description	US List	Can. List
<b>KREEPY KRUISER PARTS</b>				
1	K12458	Kruiser Deflector Wheel (Optional)	27.63	33.20
2	K12414	Kruiser Swivel Kit	24.35	29.26
3	K12417	Kruiser Bumper Kit (Horizontal & Vertical)	28.23	33.92
4	K12413	Kruiser 18 in. Vacuum Seal Kit	120.67	145.00
5	K12416	Kruiser Foot Pad Kit	26.70	32.08
6	K12411	Kruiser Main Housing Assembly Kit	476.18	572.18
7	K12415	Kruiser Silent Flapper Kit	36.98	44.44
8	K12412	Kruiser Lid & Lock Kit	20.07	24.12
9	41201-0236	Eyeball Diverter	0.52	0.62
10	41200-0212	Flow Gauge	31.63	38.01
11	K12454	Hose Weight	20.24	24.32
12	K12465	Hose Protector	9.04	10.86
13/14	41200-0213	Regulator Valve; Threaded Compression Adapter Kit	62.32	74.88
14/15	41200-0214	Regulator Valve; Regulator Cap Kit	98.93	118.87
16	GW9530	Safety Vac-Lock Fitting	60.02	72.12
<b>REGULATOR CAP</b>				
	K01210	Hose Kit (12 M/F Sections)	CALL	CALL

## PENTAIR 'LIL REBEL™ CLEANER REPLACEMENT PARTS



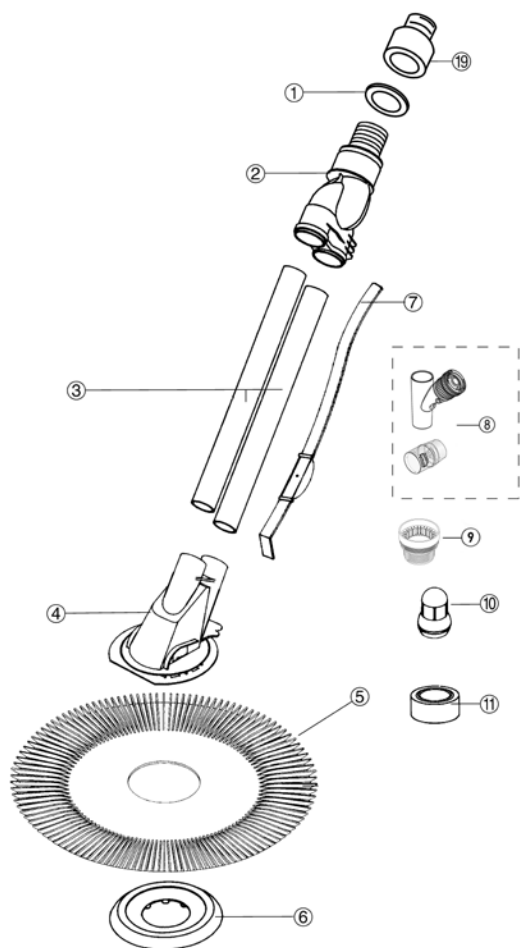
Item	Part No.	Qty.	Description	US List	Can. List
<b>PENTAIR LIL REBEL REPLACEMENT PARTS</b>					
1	360458	1	Bottom Cover Kit	135.64	162.99
2	360460	1	Turbine Kit	39.34	47.27
3	360462	1	Drivetrain Kit	119.65	143.77
4	360452	1	Buckle Kit	23.12	27.78
5	360451	1	Top Cover Kit	52.45	63.02
6	360463	1	Roller Kit	83.18	99.95
7	360454	1	Wheel Kit	91.17	109.55
8	360455	1	Tire Kit	49.89	59.95
9	360453	1	Swivel Kit	31.11	37.38

Item	Part No.	Qty.	Description	US List	Can. List
<b>OPTIONAL</b>					
10	360468	1	Inlet Insert Kit	16.37	19.67
	360465	1	Flow Gauge	12.18	14.64
	41201-0236	1	Eyeball Diverter	0.52	0.62
	K70079	1	Threaded Compression Adapter	CALL	CALL
<b>NOT SHOWN</b>					
	360467	1	Hose Set	126.70	152.24
	360308	1	Leader Hose	CALL	CALL
	41200-0200	1	Regulator Valve	CALL	CALL
	GW9015	1	Reducer Cone	23.35	28.06
	360466	1	Hose Float	36.24	43.55

**CALIFORNIA PROPOSITION 65 WARNING**

⚠ **WARNING:** Cancer and Reproductive Harm.  
 ⚠ **AVERTISSEMENT:** Peut Causer le Cancer et des Dommages au Système Reproducteur.  
 ⚠ **ADVERTENCIA:** Cáncer y Daño Reproductivo.  
[www.p65warnings.ca.gov](http://www.p65warnings.ca.gov)

# KREEPY KRAULY® E-Z VAC® CLEANER REPLACEMENT PARTS



Item	Part No.	Description	US List	Can. List
<b>E-Z VAC REPLACEMENT PARTS</b>				
1	K12087	Bearing Washer	6.96	8.36
2	K12653	Swivel Head Assembly	66.47	79.87
3	K12654	Drive Tube Top/Bottom (1)	16.39	19.69
4	K12650	Main Body (Excludes Flapper)	330.91	397.62
5	K12651	Aboveground Seal	135.36	162.65
6	K12059	Foot Pad	38.63	46.42
7	K12655	Bumper Strap with weight	47.25	56.78
8	41200-0214	Regulator Valve	98.93	118.87
9	K12079	Threaded Compression Adapter	12.02	14.44
10	K121680	Eyeball Diverter	10.78	12.95
11	K12657	Hose Weight	33.28	39.99
12	K121683	Eyeball Diverter Outer Ring	6.50	7.81
13	K12649	Baffle Plate (not interchangeable with Kreepy Krauly inground)	14.85	17.84
14	K121620	Wire Diverter	29.54	35.50
18	K21241B	4 in. Female/Female Blue Hose Connector	10.08	12.11
18	K21241	4 in. Female/Female Hose Connector (White)	11.75	14.12
19	K12653C	Swivel Cone and Bearing Washer	10.02	12.04

**K50659** Complete Hose Assembly - Blue (After 3-16-10)  
(12 Sections Male/Female)

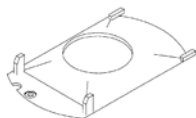
**K50656** Complete Hose Assembly - Blue (Before 3-16-10)  
(32 ft. total length)

- 11 Sections Male/Female Hose
- 1 Section Female/Female Hose

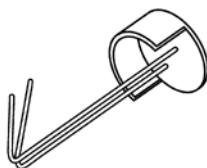
**K121683**  
Eyeball Diverter  
Outer Ring



**K12649**  
Baffle Plate



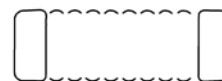
**K121620**  
Wire Diverter



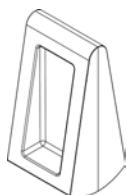
**K12142B**  
Vacuum Line  
Valve Kit



**K21241B**  
3" Female/Female Blue  
Hose Connector  
**K21241(White)**



**K70081**  
Flow Valve/Flapper - Teal



**K12041**  
Cone Adapter 1-1/4"-2"  
Optional



**CALIFORNIA PROPOSITION 65 WARNING**

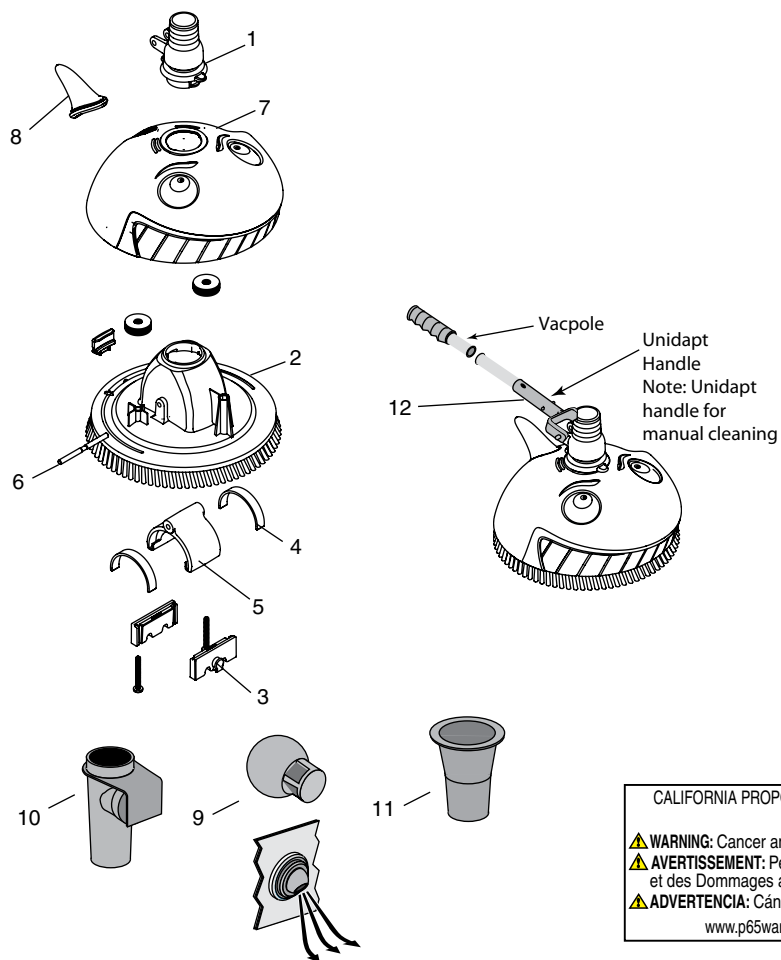
⚠ **WARNING:** Cancer and Reproductive Harm.  
⚠ **AVERTISSEMENT:** Peut Causer le Cancer  
et des Dommages au Système Reproducteur.  
⚠ **ADVERTENCIA:** Cáncer y Daño Reproductivo.

www.p65warnings.ca.gov.

PK2017A

# KREEPY KRAULY® 'LIL SHARK™ - 2013 MODEL

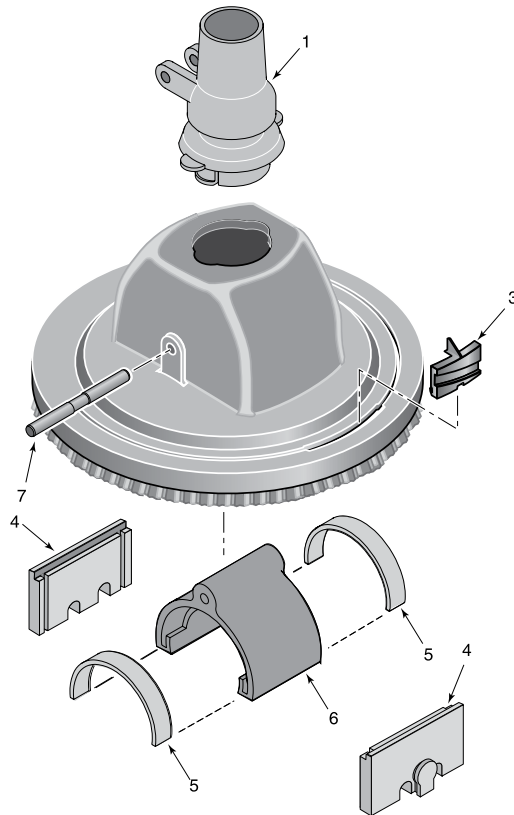
## CLEANER REPLACEMENT PARTS



CALIFORNIA PROPOSITION 65 WARNING  
 ⚠️ **WARNING:** Cancer and Reproductive Harm.  
 ⚠️ **AVERTISSEMENT:** Peut Causer le Cancer et des Dommages au Système Reproducteur.  
 ⚠️ **ADVERTENCIA:** Cáncer y Daño Reproductivo.  
 www.p65warnings.ca.gov. PR32017A

Item	Part No.	Qty.	Description	US List	Can. List
<b>LIL SHARK REPLACEMENT PARTS</b>					
1	GW9012	1	Swivel Assembly	29.58	35.54
2	*	1	Pool Cleaner Body (with Bristles)		
3	41100-0027	1	Oscillator Impact Bumper (Pkg of 2)	13.04	15.67
4	GW9004	1	Oscillator Seals (Pkg of 2)	14.55	17.48
5	GW9003	1	Oscillator Kit (Includes Seals)	89.66	107.74
6	GW9002	1	Axle Shaft	21.13	25.39
7	371514Z	1	Cover Kit	41.81	50.24
8	371508Z	1	Fin Kit	4.45	5.35
9	GW9014	1	Flow Director	22.75	27.34
10	GW9016	1	Vacuum Regulator	65.38	78.56
11	GW9015	1	Reducer Cone	23.35	28.06
12	GW9019	1	Unidapt Handle	12.27	14.74
<b>NOT SHOWN</b>					
	371526Z	1	Replacement Hose Kit	144.92	174.14

# KREEPY KRAULY® 'LIL SHARK™ 2012 AND EARLIER MODELS CLEANER REPLACEMENT PARTS



Item	Part No.	Qty.	Description	US List	Can. List
<b>LIL SHARK REPLACEMENT PARTS</b>					
1	GW9012	1	Swivel Assembly	29.58	35.54
3	41100-0026	1	Ring Adjuster	8.65	10.39
4	41100-0027	1	Oscillator Impact Bumper (Pkg of 2)	13.04	15.67
5	GW9004	1	Oscillator Seals (Pkg of 2)	14.55	17.48
6	GW9003	1	Oscillator Kit (Includes Seals)	89.66	107.74
7	GW9002	1	Axle Shaft	21.13	25.39
<b>NOT SHOWN</b>					
	GW9014	1	Flow Director	22.75	27.34
	GW9018	1	Vacuum Regulator	26.10	31.36
	GW9015	1	Reducer Cone	23.35	28.06
	GW9019	1	Unidapt Handle	12.27	14.74
	GW9510	1	Replacement Hose Kit (Includes 1 each 20 ft., 8 ft. and 4 ft. Hose)	224.83	270.16

Note: If body fails, order GW8000.

CALIFORNIA PROPOSITION 65 WARNING

⚠️ **WARNING:** Cancer and Reproductive Harm.  
 ⚠️ **AVERTISSEMENT:** Peut Causer le Cancer et des Dommages au Système Reproducteur.  
 ⚠️ **ADVERTENCIA:** Cáncer y Daño Reproductivo.

www.p65warnings.ca.gov. PA2007RA

