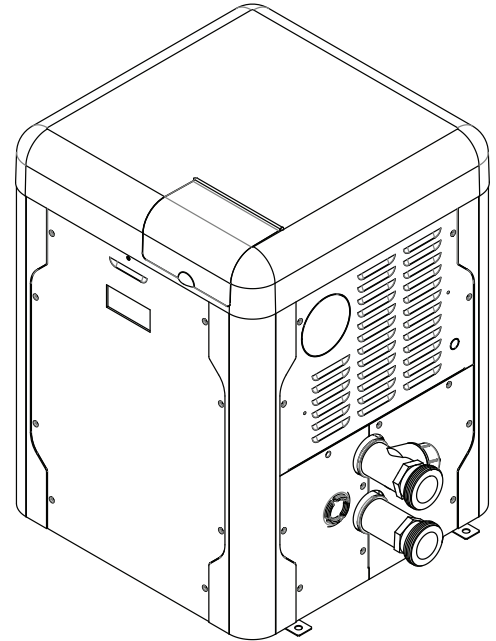


APPROVED

# INSTALLATION AND OPERATION MANUAL



## Gas-Fired Pool and Spa Heater

Models 264 and 404



**WARNING:** If the information is not followed exactly, a fire or explosion may result causing property damage, personal injury or death.

- Do not store or use gasoline or other flammable vapors and liquids or other combustible materials in the vicinity of this or any other appliance. To do so may result in an explosion or fire.
- WHAT TO DO IF YOU SMELL GAS
  - Do not try to light any appliance.
  - Do not touch any electrical switch; do not use any phone in your building.
  - Immediately call your gas supplier from a neighbor's phone. Follow the gas supplier's instructions.
  - If you cannot reach your gas supplier, call the fire department.
- Installation and service must be performed by a qualified installer, service agency or the gas supplier.

This manual should be maintained in legible condition and kept adjacent to the heater or in a safe place for future reference.

Effective: 09-30-21  
Replaces: 241807 Rev. 6  
P/N: 241807 Rev. 7

UNCONTROLLED DOCUMENT IF PRINTED

**⚠️ AVERTISSEMENT:** Assurez-vous de bien suivre les instructions données dans cette notice pour réduire au minimum le risque d'incendie ou d'explosion ou pour éviter tout dommage matériel, toute blessure ou la mort.

Ne pas entreposer ni utiliser d'essence ou ni d'autres vapeurs ou liquides inflammables à proximité de cet appareil ou de tout autre appareil.

#### **QUE FAIRE SI VOUS SENTEZ UNE ODEUR DE GAZ:**

- Ne pas tenter d'allumer d'appareil.
- Ne touchez à aucun interrupteur; ne pas vous servir des téléphones se trouvant dans la bâtiment.
- Appelez immédiatement votre fournisseur de gaz depuis un voisin. Suivre les instructions du fournisseur.
- Si vous ne pouvez rejoindre le fournisseur, appelez le service des incendies.

L'installation et l'entretien doivent être assurés par un installateur qualifié ou par le fournisseur de gaz.

## **QUICK START GUIDE**

### **CLEARANCES**

- Space required: See pages **7-9**.
- Minimum and service clearances: See page **7** for clearances table. Note that local codes prevail.

### **PIPING**

- Pressure relief valve: See page **21** for recommended PRV orientation.
- Flow rates: See page **19**.

### **GAS**

- Distance to regulator (pipe lengths) and gas inlet sizes: See page **19**.
- Required pressure for Natural Gas:  
Min = 3.5" WC (Dynamic), Max = 10.5" WC (Static)
- Required pressure for Propane Gas:  
Min = 8.0" WC (Dynamic), Max = 13" WC (Static)
- Sediment trap is required for all installations:  
See page **18**.

### **WATER CHEMISTRY**

- Water chemistry requirements: See page **5**.

### **POWER**

- Supply voltage: See page **25** for acceptable input voltages.

### **VENTING**

- Materials: See pages **13, 15** and **16**.

### **CONTROLS INTERFACE**

- Wiring diagram: See page **26**.
- User interface: See page **27**.
- Remote operation: See page **36**.

**Revision 7 reflects the following changes:** Updated CSA coverage logos. Added French translated warning on Page 2. Added French translated warning in "Installation Codes" section. Added French translated warning in "8.0 Operating Instructions" section. Added English warning in "Operating Instructions and Shutoff Procedures" section. Added complete French translated "Operating Instructions and Shutoff Procedures" section. Added statement and QR Code to "Troubleshooting" chart. Removed "Water Chemistry" from Figures 113 & 114. Added statement and QR Code to "Accessories Screen" section. Added statement and QR Code to "Auxiliary Control Output" section. Added Figures 132, 133 & 134, along with supportive text for each.

# TABLE OF CONTENTS

<b>1. WARNINGS .....</b>	<b>4</b>	Program Menu .....	<b>31</b>
Pay Attention to These Terms .....	4	Control Lockout .....	<b>34</b>
General Safety .....	5	Status and Diagnostics .....	<b>34</b>
<b>2. WATER CHEMISTRY .....</b>	<b>5</b>	Remote Wired Control Installation and Operation .....	<b>36</b>
Automatic Chlorinators and Chemical Feeders.....	5	Time Clock/Fireman’s Switch .....	<b>38</b>
<b>3. BEFORE INSTALLATION.....</b>	<b>6</b>	<b>8. OPERATING INSTRUCTIONS.....</b>	<b>43</b>
Receiving equipment.....	6	Before Start-Up .....	<b>43</b>
Rating and certifications.....	6	Start-Up Procedures .....	<b>43</b>
Elevation .....	6	<b>9. MAINTENANCE AND CARE.....</b>	<b>46</b>
Required Power Supply .....	6	Cold Weather Operation .....	<b>46</b>
Ambient Temperature Rating .....	6	<b>10. TROUBLESHOOTING .....</b>	<b>47</b>
<b>4. INSTALLATION.....</b>	<b>6</b>	Operation and Troubleshooting - Flow Chart .....	<b>48</b>
Installation Codes .....	7	Control Logic - Flow Chart .....	<b>49</b>
Clearances .....	7	<b>11. CONNECT TO WI-FI WITH RAYMOTE.....</b>	<b>50</b>
Outdoor Heater Installation .....	7	Preparing the Unit for Connection.....	<b>50</b>
Combustion and Ventilation Air .....	10	Add a New Device on your Android .....	<b>51</b>
Direct Vent and Ducted Combustion Air Systems..	10	Add a New Device on your iPhone .....	<b>53</b>
Venting .....	13	For iPhone 6 and Earlier Versions .....	<b>54</b>
Gas Supply Connections.....	18	Configure your Device.....	<b>56</b>
Flow Rates .....	19	<b>12. RAYMOTE MOBILE APP.....</b>	<b>58</b>
ProTek Shield Assembly.....	20	Raymote Mobile App Navigation .....	<b>58</b>
Unitherm Governor Operation.....	20	Heater Selector .....	<b>58</b>
Internal Automatic Bypass Valve.....	21	Automation.....	<b>59</b>
External Auxiliary Bypass Valve .....	21	Mode Screen.....	<b>59</b>
Auxiliary Bypass Valve Adjustment .....	21	Accessories Screen .....	<b>60</b>
Pressure Relief Valve Installation.....	21	Reset Wi-Fi Credentials .....	<b>61</b>
Plumbing Diagram.....	23	Reconnect to Wi-Fi.....	<b>61</b>
Water/Flue Connection Reversal .....	24	<b>13. AUXILIARY CONTROL OUTPUT .....</b>	<b>64</b>
<b>5. ELECTRICAL WIRING.....</b>	<b>24</b>	<b>14. REPLACEMENT PARTS .....</b>	<b>65</b>
Electrical Power Draw .....	24	<b>15. ILLUSTRATED PARTS LIST.....</b>	<b>66</b>
Transformer Wiring .....	25	<b>16. IMPORTANT INSTRUCTIONS FOR THE     COMMONWEALTH OF MASSACHUSETTS ...</b>	<b>75</b>
<b>6. WIRING DIAGRAM.....</b>	<b>26</b>	<b>17. WARRANTY .....</b>	<b>76</b>
<b>7. CONTROLS.....</b>	<b>27</b>		
Heater Top Removal .....	27		
Control Adjustments .....	27		
Operation .....	28		
Service Menus .....	28		

# 1. WARNINGS

## Pay Attention to These Terms

<b>▲ DANGER</b>	Indicates the presence of immediate hazards which will cause severe personal injury, death or substantial property damage if ignored.
<b>▲ WARNING</b>	Indicates the presence of hazards or unsafe practices which could cause severe personal injury, death or substantial property damage if ignored.
<b>▲ CAUTION</b>	Indicates the presence of hazards or unsafe practices which could cause minor personal injury or product or property damage if ignored.
<b>CAUTION</b>	CAUTION used without the warning alert symbol indicates a potentially hazardous condition which could cause minor personal injury or product or property damage if ignored.
<b>NOTE</b>	Indicates special instructions on installation, operation, or maintenance which are important but not related to personal injury hazards.

**▲ WARNING:** To minimize the possibility of improper operation, serious personal injury, fire, or damage to the heater:

- Always keep the area around the heater free of combustible materials, gasoline, and other flammable liquids and vapors.
- Heater should never be covered or have any blockage to the flow of fresh air to the heater.

**▲ WARNING:** Gasoline, as well as other flammable materials and liquids (adhesives, solvents, etc.), and the vapors they produce, are extremely dangerous. Do not handle, use, or store gasoline or other flammable or combustible materials in the vicinity of a heater.

**▲ WARNING:** This unit contains refractory ceramic fiber (RCF) insulation in the combustion chamber. RCF, as manufactured, does not contain respirable crystalline silica. However, following sustained exposure to very high temperatures [greater than 2192°F (1200°C), the RCF can transform into crystalline silica (cristabolite). The International Agency for Research on Cancer (IARC) has classified the inhalation of crystalline silica (cristabolite) as carcinogenic to humans.

When removing the burner or heat exchanger, take precautions to avoid creating airborne dust and avoid inhaling airborne fibers. When cleaning spills, use wet sweeping or High Efficiency Particulate Air (HEPA) filtered vacuum to minimize airborne dust. Use feasible engineering controls such as local exhaust ventilation or dust collecting systems to minimize airborne dust. Wear appropriate personal protective equipment including gloves, safety glasses with side shields, and appropriate NIOSH-certified respiratory protection, to avoid inhalation of airborne dust and airborne fiber particles.

**▲ WARNING:** Both natural gas and propane have an odorant added to aid in detecting a gas leak. Some people may not physically be able to smell or recognize this odorant. If you are unsure or unfamiliar with the smell of natural gas or propane, ask your local gas supplier. Other conditions, such as “odorant fade,” which causes the odorant to diminish in intensity, can also hide, camouflage, or otherwise make detecting a gas leak by smell more difficult.

**▲ WARNING:** Improper installation, adjustment, alteration, service, or maintenance can cause property damage, personal injury or loss of life. Installation and service must be performed by a qualified installer, service agency, or the gas supplier.

**▲ WARNING:** UL-recognized fuel gas detectors are recommended in all enclosed propane and natural gas applications wherein there is a potential for an explosive mixture of fuel gas to accumulate and their installation should be in accordance with the detector manufacturer’s recommendations and/or local laws, rules, regulations, or customs.

**▲ WARNING:** Do not install within 3 feet (0.9 m) of a heat pump or an outdoor condensing unit. Strong air intake from this type of equipment can disturb the combustion process and cause damage or personal injury.

**▲ WARNING:** The heater shall not be located in an area where water sprinklers, or other devices, may cause water to spray through the cabinet louvers and into the heater. This could cause internal rusting or damage electrical components, causing damage which will not be covered under warranty.



APPROVED

## General Safety

Elevated water temperature can be hazardous. The U.S. Consumer Product Safety Commission has these guidelines:

1. Spa water temperatures should never exceed 104°F (40°C). A temperature of 100°F (38°C) is considered safe for a healthy adult. Special caution is suggested for young children.
2. Drinking of alcoholic beverages before or during spa or hot tub use can cause drowsiness which could lead to unconsciousness and subsequently result in drowning.
3. Pregnant Women Beware! Soaking in water over 102°F (39°C) can cause fetal damage during the first three months of pregnancy resulting in the birth of a brain-damaged or deformed child. Pregnant women should stick to the 100°F (38°C) maximum rule.
4. Before entering the spa or hot tub, users should check the water temperature with an accurate thermometer; spa or hot tub thermostats may err in regulating water temperatures by as much as 4°F (2.2°C).
5. Persons with a medical history of heart disease, circulatory problems, diabetes, or blood pressure problems should obtain a physician's advice before using spas or hot tubs.
6. Persons taking medications which induce drowsiness, such as tranquilizers, antihistamines, or anticoagulants, should not use spas or hot tubs.

For your health and the protection of your pool equipment, it is essential that your water be chemically balanced. The following levels must be used as a guide for balanced water.

**▲ CAUTION: Free chlorine must not exceed 5 ppm which can damage the heater and is not covered under warranty.**

- Occasional chemical shock dosing of the pool or spa water should not damage the heater providing the water is balanced.
- Automatic chemical dosing devices and salt chlorinators are usually more efficient in heated water, unless controlled, they can lead to excessive chlorine level which can damage your heater.
- Check valve should be installed between the heater outlet and a chlorinator or other chemical dosing device.
- Further advice should be obtained from your pool or spa builder, accredited pool shop, or chemical supplier for the correct levels for your water.

## Automatic Chlorinators and Chemical Feeders

All chemicals must be introduced and completely diluted into the pool or spa water before being circulated through the heater. Do not place sanitizing chemicals in the skimmer. High chemical concentrations will result when the pump is not running (e.g. overnight).

Chlorinators must feed downstream of the heater and have an anti-siphoning device/check valve to prevent chemical backup into the heater when the pump is shut off. See "Plumbing Diagram" on page 23.

## 2. WATER CHEMISTRY

**NOTE: Corrosive water voids all warranties.**

Chemical imbalance can cause severe damage to your heater and associated equipment. Maintain your water chemistry according to **Table A**. If the mineral content and dissolved solids in the water become too high, scale forms inside the heat exchanger tubes, reducing heater efficiency and damaging the heater. If the pH drops below 7.2, this will cause corrosion of the heat exchanger and severely damage the heater. **Heat exchanger damage resulting from chemical imbalance is not covered by the warranty.**

**NOTE: High chemical concentrates from feeders and chlorinators that are out of adjustment will cause rapid corrosion to the heat exchanger. Such damage is not covered under the warranty.**

Recommended Level(s)	Fiberglass Pools	Fiberglass Spas	Other Pool and Spa Types
Water Temperature	68-88°F (20-31°C)	89-104°F (31-40°C)	68-104°F (20-40°C)
pH	7.3-7.4	7.3-7.4	7.6-7.8
Total Alkalinity (ppm)	120-150	120-150	80-120
Calcium Hardness (ppm)	200-300	150-200	200-400
Salt (ppm)	4500 Maximum	4500 Maximum	4500 Maximum
Free Chlorine (ppm)*	2-3	2-3	2-3
Total Dissolved Solids (ppm)	3000 Maximum**	3000 Maximum**	3000 Maximum**

\*Free Chlorine **MUST NOT EXCEED 5 ppm!**

\*\*In saltwater chlorinated pools, the Total Dissolved Solids (TDS) can be as high as 6000 ppm.

## APPROVED

### Rating and Certifications

These heaters are design-certified and tested under the latest requirements of the ANSI Z21.56 / CSA 4.7 Standard for Gas-Fired Pool Heaters. This product is also certified to SCAQMD 1146.2 and SJVAPCD Rule 4308. All heaters can be used either indoors or outdoors when appropriate venting is installed. See section "Venting" on page 13 for details. The appropriate vent cover designated for each type of use is required.

### Elevation

**NOTE:** This product is approved up to 4,500 ft of elevation per CAN/CGA-2.17-M91.

Rated inputs are suitable for up to 4,500 feet (1371 m) elevation.

### Required Power Supply

Requires 120 or 240VAC, 1 Ph, 60 Hz Power Supply. Do not operate on 50 Hz power supply.

### Ambient Temperature Rating

### Heater Component Temperature Ratings

-32°F to 175°F (-35°C to 79°C).

## 4. INSTALLATION

**⚠ WARNING:** This unit contains refractory ceramic fiber (RCF) insulation in the combustion chamber. RCF, as manufactured, does not contain respirable crystalline silica. However, following sustained exposure to very high temperatures >2192°F (1200°C), the RCF can transform into crystalline silica (cristabolite). The International Agency for Research on Cancer (IARC) has classified the inhalation of crystalline silica (cristabolite) as carcinogenic to humans.

When removing the burner or heat exchanger, take precautions to avoid creating airborne dust and avoid inhaling airborne fibers. When cleaning spills, use wet sweeping or High Efficiency Particulate Air (HEPA) filtered vacuum to minimize airborne dust. Use feasible engineering controls such as local exhaust ventilation or dust collecting systems to minimize airborne dust. Wear appropriate personal protective equipment including gloves, safety glasses with side shields, and appropriate NIOSH-certified respiratory protection, to avoid inhalation of airborne dust and airborne fiber particles.

**IMPORTANT NOTICE:** These instructions are intended only for the use by qualified personnel, specifically trained and experienced in the installation of this type of heating equipment and related system components. Installation and service personnel may be required by some states to be licensed. If your state is such, be sure your contractor bears the appropriate license. Persons not qualified shall not attempt to fix the equipment nor attempt repairs according to these instructions.

## 3. BEFORE INSTALLATION

### Receiving Equipment

The manufacturer recommends that this manual be reviewed thoroughly before installing the pool/spa heater. If there are any questions that this manual does not answer, please contact the factory or your local representative.

On receipt of your equipment it is suggested that you visually check for external damage to the carton. If the carton is damaged, a note should be made on the Bill of Lading when signing for the equipment. Remove the heater from the carton. If it is damaged, report the damage to the carrier immediately. Save the carton.

These items are shipped inside a box in the carton with the heater:

#### Standard Unit

1. (2) 2" CPVC Tailpiece
2. (2) 2" CPVC Ring Nut
3. (2) O-rings
4. (1) 120V Blower Adapter
5. (1) 3-Wire Remote Harness
6. (1) Auxiliary Harness
7. (1) Raymote Quick Start Guide

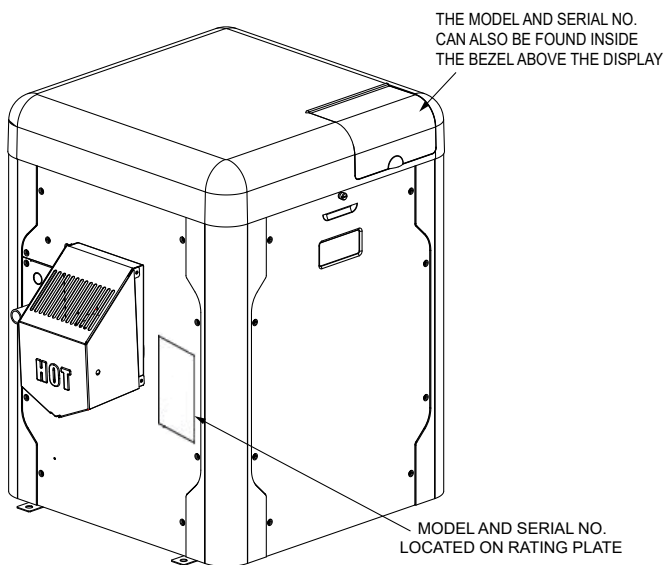


Figure 1. Rating Plate Location

Be sure that you receive the number of packages indicated on the Bill of Lading.

**⚠️ WARNING:** Improper installation, adjustment, alteration, service or maintenance may damage the equipment, create a hazard resulting in asphyxiation, explosion or fire, cause damage which will not be covered under warranty.

### Installation Codes

Installation must be in accordance with local codes, or, in the absence of local codes, with the latest edition of the National Fuel Gas Code, ANSI Z223.1/NFPA54 and National Electrical Code, ANSI/NFPA 70, and for Canada, the latest edition of CAN/CSA-B149 Installation Codes, and Canadian Electrical Code, CSA C22.1 Part 1 and Part 2.

**⚠️ AVERTISSEMENT:** Cet appareil doit être installé conformément au National Fuel gas Code ANSI Z223.1, et aux exigences de l'autorité compétente.

### Clearances

#### All Heaters

For indoor and outdoor clearances from combustible surfaces see Table B below.

Location	Indoor Installation
Top	Unobstructed
Front	0"
Floor	0"
Back	0"
Right Side	3" (76 mm) from Panel - Water Side
Left Side	3" (76 mm) from Panel - Vented Side

Location	Outdoor Installation
Top	Unobstructed
Front	0"
Floor	0"
Back	0"
Right Side	3" (76 mm) from Panel - Water Side
Left Side	6" (152 mm) from Vent Cap

Table B. Minimum Clearances from Combustible Surfaces

For ease of servicing, we recommend a clearance of at least 24" (610 mm) for both the left and right side, and also the top. This will enable the heater to be serviced in its installed location, that is, without needing to move the header.

Clearances less than these may require removal of the heater to service either the heat exchanger or the burner. In either case, the heater must be installed in a manner that will enable the heater to be serviced without removing any structure around the heater.

### Flooring

This heater can be installed on combustible flooring.

### Outdoor Heater Installation

These heaters are design-certified for outdoor installation, when equipped with the approved vent cover designated for outdoor use.

**⚠️ WARNING:** The heater shall not be located in an area where water sprinklers, or other devices, may cause water to spray through the cabinet louvers and into the heater. This could cause internal rusting or damage electrical components, and void the warranty.

**⚠️ WARNING:** Do not install within 3' (0.9 m) of a heat pump or an outdoor condensing unit. Strong air intake from this type of equipment can disturb the combustion process and cause damage or personal injury.

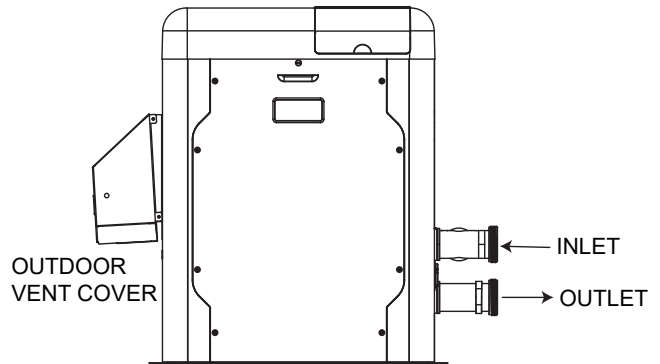
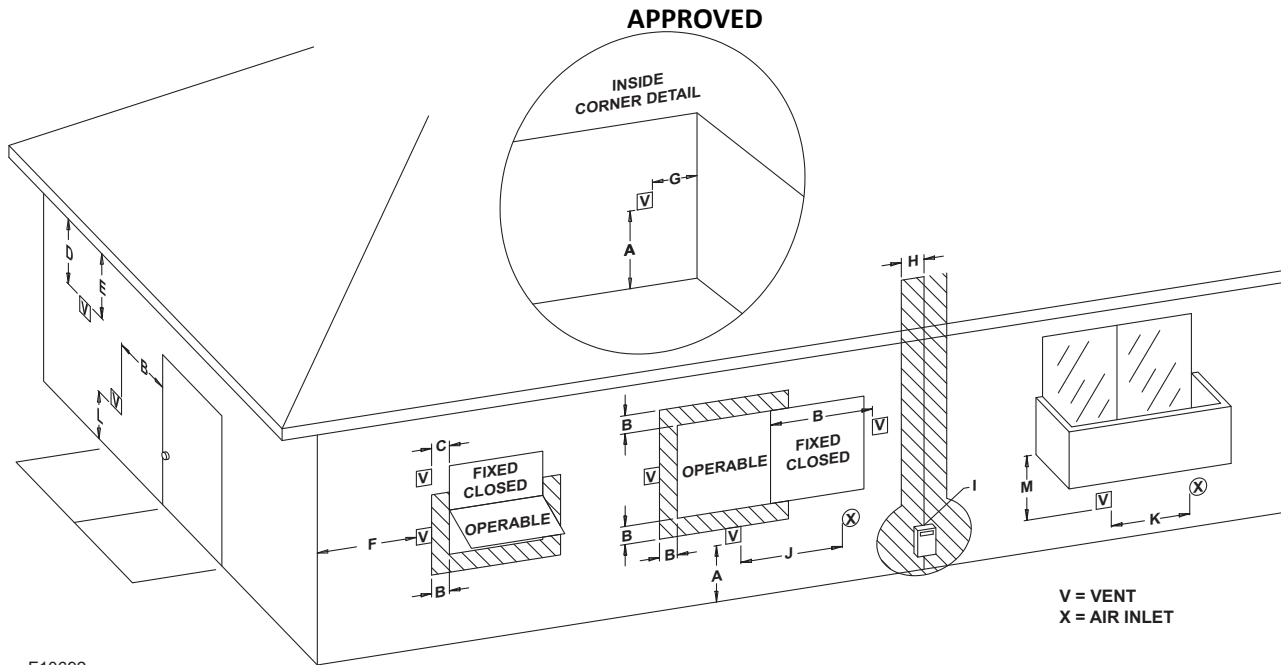


Figure 2. Front View Of Cabinet Vent/Air Inlet Termination Clearances



F10692

**Figure 3. Minimum Clearances from Vent/Air Inlet Terminations – Indoor and Outdoor Installations**

		U.S. Installations <sup>1</sup>	Canadian Installations <sup>2</sup>
A	Clearance above grade, veranda, porch, deck, or balcony	1' (30 cm)	1' (30 cm)
B	Clearance to window or door that may be opened	4' (1.2 m) below or to side of opening	3' (91 cm)
C	Clearance to permanently closed window	*	*
D	Vertical clearance to ventilated soffit located above the terminal within a horizontal distance of 2' (61 cm) from the centerline of the terminal	5' (1.5 m)	*
E	Clearance to unventilated soffit	*	*
F	Clearance to outside corner	*	*
G	Clearance to inside corner	6' (1.83 m)	*
H	Clearance to each side of center line extended above meter/regulator assembly	*	3' (91 cm) within a height 15' (4.5 m) above the meter/regulator assembly
I	Clearance to service regulator vent outlet	*	6' (1.83 m)
J	Clearance to non-mechanical air supply inlet to building or the combustion air inlet to any other appliance	4' (1.2 m) below or to side of opening; 1' (30 cm) above opening	3' (91 cm)
K	Clearance to mechanical air supply inlet	3' (91 cm) above if within 10' (3 m) horizontally	6' (1.83 m)
L	Do not terminate above paved sidewalk or paved driveway	Slip hazard due to frozen condensate	Slip hazard due to frozen condensate
M	Clearance under veranda, porch, deck or balcony	*	1' (30 cm) <sup>t</sup>

<sup>1</sup> In accordance with the current ANSI Z223.1/NFPA 54 National Fuel Gas Code.

<sup>2</sup> In accordance with the current CAN/CSA-B149 Installation Codes.

<sup>t</sup> Permitted only if veranda, porch, deck, or balcony is fully open on a minimum of two sides beneath the floor and top of terminal, and underside of veranda, porch, deck or balcony is greater than 1' (30 cm).

\* Clearances in accordance with local installation codes and the requirements of the gas supplier.

**Table C. Vent/Air Inlet Termination Clearances**

**UNCONTROLLED DOCUMENT IF PRINTED**

Description	Location	Distance in. (mm)
a. 3-1/2" (89 mm) thick masonry walls without ventilated air space	Back	9 (229)
	Right	9 (229)
	Left	9 (229)
	Vent	5 (127)
	Indoor Top	39 (991)
b. 1/2" (13 mm) insulation board over 1" (25 mm) glass fiber or mineral wool batts	Back	6 (152)
	Right	6 (152)
	Left	6 (152)
	Vent	3 (76)
	Indoor Top	30 (762)
c. 0.024 sheet metal over 1" (25 mm) glass fiber or mineral wool batts reinforced with wire on rear face with ventilated air space	Back	4 (102)
	Right	4 (102)
	Left	4 (102)
	Vent	3 (76)
	Indoor Top	24 (610)
d. 3-1/2" (89 mm) thick masonry wall with ventilated air space	Back	6 (152)
	Right	6 (152)
	Left	6 (152)
	Vent	6 (152)
	Indoor Top	39 (991)
e. 0.024 sheet metal with ventilated air space	Back	4 (102)
	Right	4 (102)
	Left	4 (102)
	Vent	2 (51)
	Indoor Top	24 (610)
f. 1/2" (13 mm) thick insulation board with ventilated air space	Back	4 (102)
	Right	4 (102)
	Left	4 (102)
	Vent	3 (76)
	Indoor Top	24 (610)
g. 0.024 sheet metal with ventilated air space over 0.024 sheet metal with ventilated air space.	Back	4 (102)
	Right	4 (102)
	Left	4 (102)
	Vent	3 (76)
	Indoor Top	24 (610)
h. 1" (25 mm) glass fiber or mineral wool batts sandwiched between two sheets 0.024 sheet metal with ventilated air space	Back	4 (102)
	Right	4 (102)
	Left	4 (102)
	Vent	3 (76)
	Indoor Top	24 (610)
	Outdoor Top	Unobstructed

Derived from National Fuel Gas Code, Table 10.2.3

**Table D. Reduction of Clearances to Protected Surfaces**

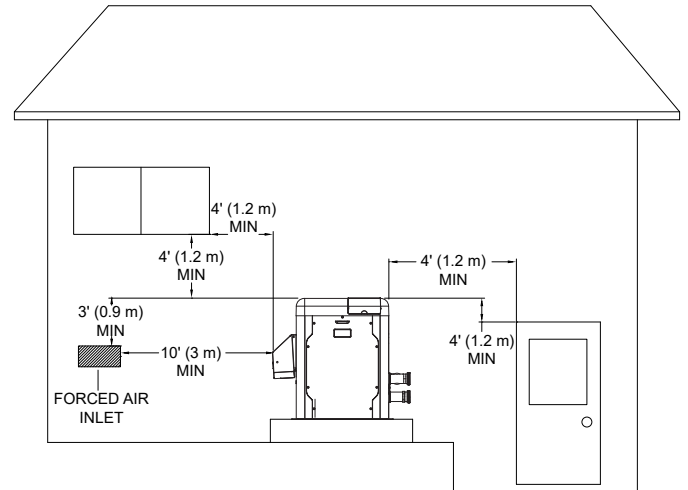
Heaters must not be installed under an overhang of less than three 3' (0.9 m) from the top of the heater. Three sides must be open in the area under the overhang. Roof water drainage must be diverted away from the heaters installed under overhangs with the use of gutters.

**For U.S. installations,** the point from where the flue products exit the heater must be a minimum of 4' (1.2 m) below, 4' (1.2 m) horizontally from, or 1' (0.3 m) above any door, window or gravity inlet into any building. The top surface of the heater shall be at least 3' (0.9 m) above any forced air inlet, or intake ducts located within 10' (3 m) horizontally.

**For Canadian installations,** pool heaters shall not be installed with the top of the vent assembly within 10' (3 m) below, or to either side, of any opening into the building. Refer to the latest revisions of CAN/CSA-B149.

A minimum of 6' (1.8 m) is required from the heater to an inside corner wall for proper outdoor venting.

**For installations in Florida and Texas,** that must comply with the Florida or Texas Building Code, follow the directions shown in **Figure 5** for the installation of hurricane tie-down brackets for all models.



**Figure 4. Clearances**

**Indoor Heater Installation**

For Canada, indoor installation is restricted to an enclosure that is not occupied and does not directly communicate with an occupied area. Refer to the latest edition of CAN/CSA-B149 for specific requirements. Locate heater as close as is practical to a chimney or gas vent. Heater must always be vented to the outside. See **"Venting"** section on **page 13** for details. Minimum allowable space is shown on the nameplate.



**APPROVED**

## **Direct Vent and Ducted Combustion Air Systems**

If outside air is drawn through the intake pipe directly to the unit for combustion:

1. Connect combustion air to the heater by removing the screened cap on the air intake port, and sealing the combustion air duct to the existing PVC adapter. Glue or attach screws to fasten. The existing screen should be re-used at the intake end of the duct. Install the combustion air duct in accordance with **Figure 11** or **Figure 12** of this manual.
2. Provide adequate ventilation of the space occupied by the heater(s) by an opening(s) for ventilation air at the highest practical point communicating with the outdoors.
  - A. In the US, the total cross-sectional area shall be at least 1 in.<sup>2</sup> of free area per 20,000 BTUH (111 mm<sup>2</sup> per kW) of total input rating of all equipment in the room when the opening is communicating directly with the outdoors or through vertical duct(s). The total cross-sectional area shall be at least 1 in.<sup>2</sup> of free area per 10,000 BTUH (222 mm<sup>2</sup> per kW) of total input rating of all equipment in the room when the opening is communicating with the outdoors through horizontal duct(s).
  - B. In Canada, there shall be permanent air supply opening(s) having a total cross-sectional area of not less than 1 in.<sup>2</sup> of free area per 30,000 BTUH (70 mm<sup>2</sup> per kW) of the total rated input. The location of the opening(s) shall not interfere with the intended purpose of the opening(s) for the ventilation air.
3. In cold climates, and to mitigate potential freeze-up, Raypak highly recommends the installation of a motorized sealed damper to prevent the circulation of cold air through the heater during the non-operating hours.

## **Combustion and Ventilation Air**

### **Indoor Units Only**

The heater must have both combustion and ventilation air. The minimum requirements are listed in the latest edition of the National Fuel Gas Code (U.S. ANSI Z223.1 or Canada CAN/CSA-B149) and any local codes that may have jurisdiction. The most common approach is the “2-opening” method, with combustion air opening no more than 12" (305 mm) from the floor and the ventilation opening no more than 12" (305 mm) from the ceiling. For opening sizes using this method, see below.

#### **All Air from Inside the Building:**

Each opening shall have a minimum net free area as noted:

Model	Sq. in. (m <sup>2</sup> )
264	264 (0.17)
404	399 (0.26)

**Table E. Opening Minimum Net Free Requirements - Indoor Air**

#### **All Air from Outdoors:**

When air is supplied directly from outside the building, each opening shall have a minimum net free area as noted:

Model	Unrestricted Opening sq. in. (m <sup>2</sup> )	Typical Screened or Louvered Opening sq. in. (m <sup>2</sup> )	Typical Screened and Louvered Opening sq. in. (m <sup>2</sup> )
264	66 (0.04)	99 (0.06)	132 (0.09)
404	100 (0.06)	150 (0.1)	200 (0.13)

**Table F. Opening Minimum Net Free Requirements - Outdoor Air**

**⚠ CAUTION:** Combustion air must not be contaminated by corrosive chemical fumes which can damage the heater. Such damage will not be covered by the warranty

APPROVED

Florida and Texas Building Code:  
Wind Speed = 180 mph 3-sec. gust  
Exposure = C

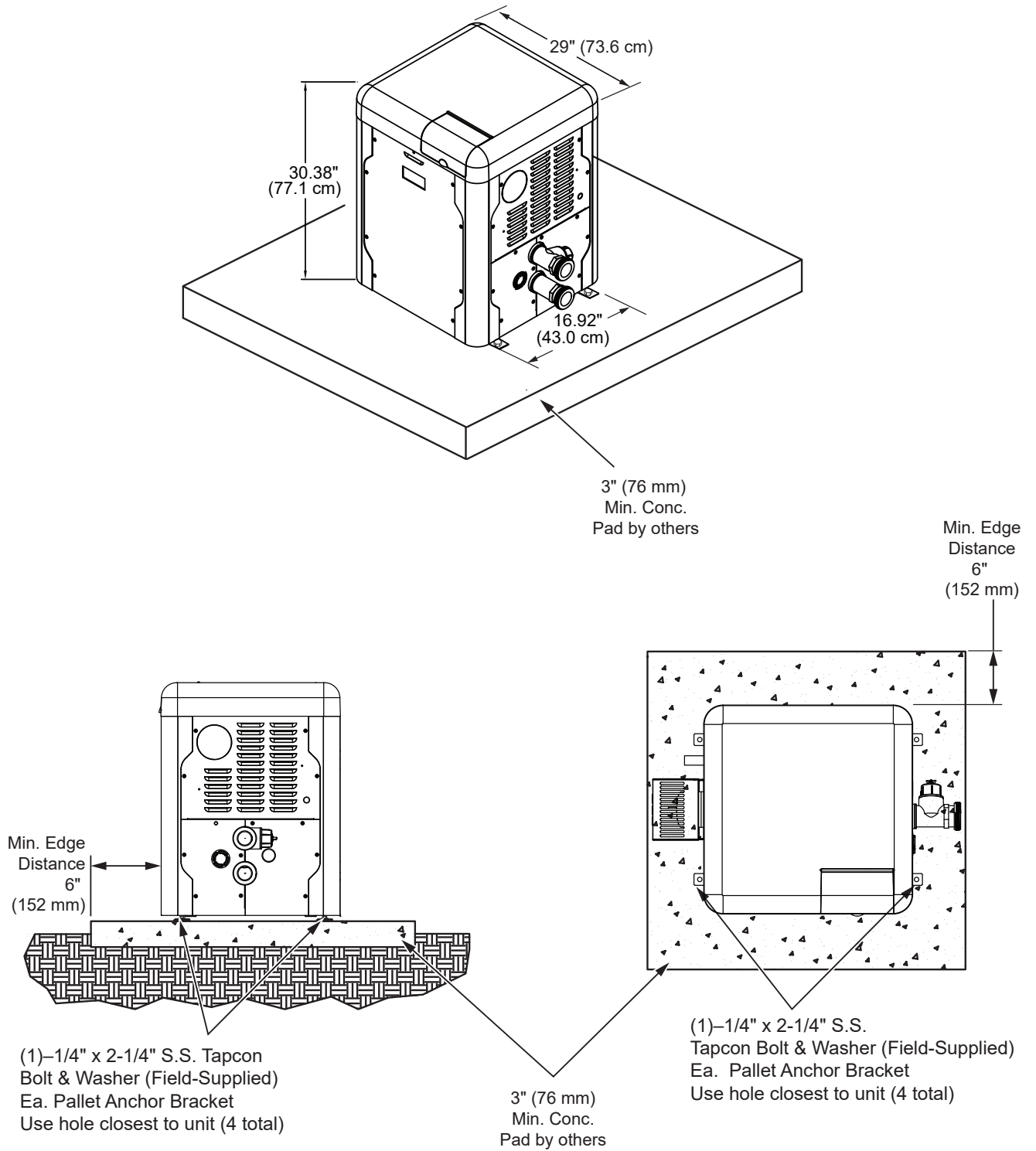


Figure 5. Hurricane Tie-Down Bracket Installation  
UNCONTROLLED DOCUMENT IF PRINTED



Specifications and Dimensions

Amp Draw	
120 VAC, 1 Ph, 60 Hz	240 VAC, 1 Ph, 60 Hz
1.6A	1.2A

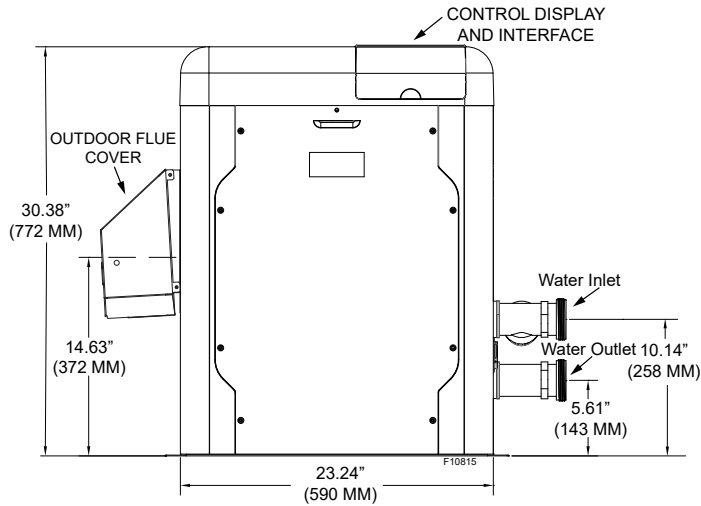


Figure 6. Front View

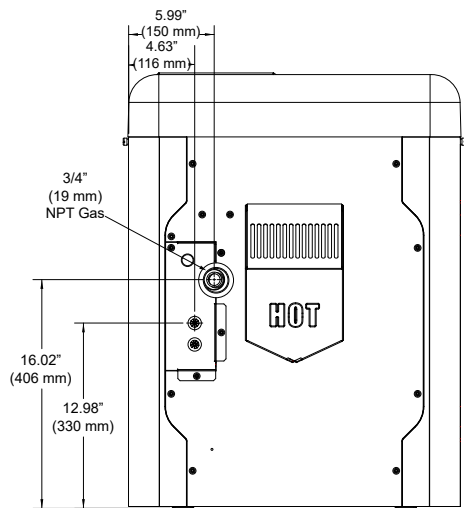


Figure 7. Left View with Gas & Power Connection Distances

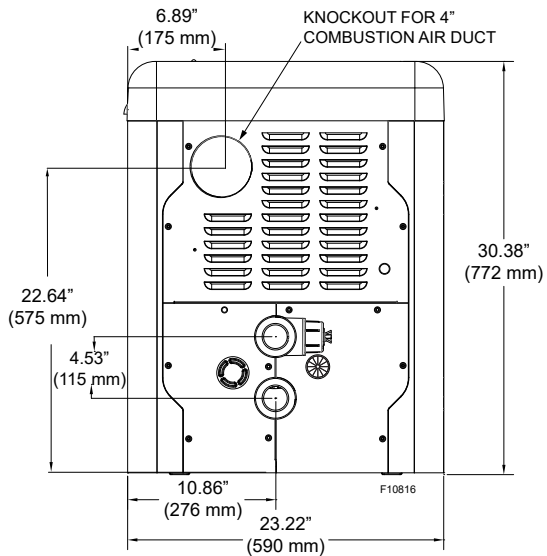


Figure 8. Right View

**WARNING:** The Commonwealth of Massachusetts requires that sidewall-vented heaters, installed in every dwelling, building or structure used in whole or in part for residential purposes, be installed using special provisions as outlined on page 50 of this manual.

Model No.	BTUH Input (kw)	Flue Dia. in. (mm)	Water Conn. in. (mm)	Shipping Weights - lbs (kg)
				Standard Heater
264	264 (77.4)	4 (101.6)	2 (51) Butress	135 (61.2) +20 (9) Packing
404	399 (116.9)			

Table G. Heater Specifications and Dimensions

# Venting

**CAUTION:** Proper installation of flue venting is critical for the safe and efficient operation of the pool heater.

**NOTE:** For additional information on appliance categorization, see the ANSI Z21.13 Standard and the NFGC (U.S.), or B149 (Canada), or applicable provisions of local building codes.

## General

### Appliance Categories

Heaters are divided into four categories based on the pressure produced in the exhaust and the likelihood of condensate production in the vent.

**Category I** – A heater which operates with a non-positive vent static pressure and with a vent gas temperature that avoids excessive condensate production in the vent.

**Category II** – A heater which operates with a non-positive vent static pressure and with a vent gas temperature that may cause excessive condensate production in the vent.

**Category III** – A heater which operates with a positive vent pressure and with a vent gas temperature that avoids excessive condensate production in the vent.

**Category IV** – A heater which operates with a positive vent pressure and with a vent gas temperature that may cause excessive condensate production in the vent.

See **Table H** for appliance category requirements.

**WARNING:** Contact the manufacturer of the vent material if there is any question about the appliance categorization and suitability of a vent material for application on a Category I vent system. Using improper venting materials can result in personal injury, death or property damage.

Description (Terminations)	Manufacturer	Manufacturer Model Number
Through-the-wall	Duravent	FSTB4
Horizontal Tee	Duravent	FSTT4
Horizontal Tee	Z-Flex	2SVSTTF04
Wall Thimble with Damper	Duravent	PRTFSWTT4
90-degree Elbow	Z-Flex	2SVSTEX0490
D15 - Vertical Horizontal Cap	Raypak	014289

Table I. Vent Terminations

Combustion Air Supply	Exhaust Configuration	Heater Venting Category	Certified Vent Materials	Combustion Air Inlet Material
From Inside Building	Vertical Venting	I Fan	B-Vent Equivalent	
	Horizontal Through-the-Wall Venting	III	UL 1738 Metallic Vent (such as AL29-4C)	
From Outside Building (Direct Vent or Ducted Combustion Air)	Vertical Venting with Ducted Combustion Air	I Fan	B-Vent Equivalent	Galvanized Steel, PVC, ABS, CPVC
	Vertical Direct Vent	III	UL 1738 Metallic Vent (such as AL29-4C)	
	Horizontal Direct Vent	III	UL 1738 Metallic Vent (such as AL29-4C)	

**Note:** For appliance adapter use Duravent FSAU4.

Table H. Venting Category Requirements

## APPROVED

### U.S. Installations

Refer to the latest edition of the National Fuel Gas Code.

Vent termination requirements are as follows:

1. Vent must terminate at least 4 ft (1.2 m) below, 4 ft (1.2 m) horizontally from or 12 in. (305 mm) above any door, window or gravity air inlet to the building.
2. The vent must not be less than 7 ft (2.1 m) above grade when located adjacent to public walkways.
3. Terminate vent at least 3 ft (0.9 m) above any forced air inlet located within 10 ft (3.0 m).
4. Vent must terminate at least 4 ft (1.2 m) horizontally, and in no case above or below, unless a 4 ft (1.2 m) horizontal distance is maintained from electric meters, gas meters, regulators, and relief equipment.
5. Terminate vent at least 6 ft (1.8 m) away from adjacent walls.
6. DO NOT terminate vent closer than 5 ft (1.5 m) below roof overhang.
7. The vent terminal requires a 12 in. (305 mm) vent terminal clearance from the wall.
8. Terminate vent at least 12 in. (305 mm) above grade, including normal snow line.
9. Multiple direct vent installations require a 4 ft (1.2 m) clearance between the ends of vent caps located on the same horizontal plane.

### Canadian Installations

Refer to latest edition of the B149 Installation code.

A vent shall not terminate:

1. Directly above a paved sidewalk or driveway which is located between two single-family dwellings and serves both dwellings.
2. Less than 7 ft (2.13 m) above a paved sidewalk or paved driveway located on public property.
3. Within 6 ft (1.8 m) of a mechanical air supply inlet to any building.
4. Above a meter/regulator assembly within 3 ft (915 mm) horizontally of the vertical centerline of the regulator.
5. Within 3 ft (0.9 m) of any gas service regulator vent outlet.
6. Less than 12 in. (305 mm) above grade level.
7. Within the 3 ft (915 mm) of a window or door which can be opened in any building, any non-mechanical air supply inlet to any building or the combustion air inlet of any other appliance.
8. Underneath a veranda, porch or deck, unless the veranda, porch or deck is fully open on a minimum of two sides beneath the floor, and the distance between the top of the vent termination and the underside of the veranda, porch or deck

## Support of Vent Stack

The weight of the vent stack or chimney must not rest on the heater vent connection. Support must be provided in compliance with applicable codes. The vent should also be installed to maintain proper clearances from combustible materials. Use insulated vent pipe spacers where the vent passes through combustible roofs and walls.

## Vent Terminal Location

1. Condensate can freeze on the vent cap. Frozen condensate on the vent cap can result in a blocked flue condition.
2. Give special attention to the location of the vent termination to avoid possibility of property damage or personal injury.
3. Gases may form a white vapor plume in winter. The plume could obstruct a window view if the termination is installed near windows.
4. Prevailing winds, in combination with below-freezing temperatures, can cause freezing of condensate and water/ice build-up on buildings, plants or roofs.
5. The bottom of the vent terminal and the air intake shall be located at least 12 in. (305 mm) above grade, including normal snow line.
6. Un-insulated single-wall metal vent pipe shall not be used outdoors in cold climates for venting gas-fired equipment.
7. Through-the-wall vents for Category II and IV appliances and non-categorized condensing appliances shall not terminate over public walkways or over an area where condensate or vapor could create a nuisance or hazard or could be detrimental to the operation of regulators, relief valves, or other equipment. Where local experience indicates that condensate is a problem with Category I and III appliances, this provision shall also apply.
8. Locate and guard vent termination to prevent accidental contact by people or pets.
9. DO NOT terminate vent in window well, stairwell, alcove, courtyard or other recessed area.
10. DO NOT terminate above any door, window, or gravity air intake. Condensate can freeze, causing ice formations.
11. Locate or guard vent to prevent condensate from damaging exterior finishes. Use a rust-resistant sheet metal backing plate against brick or masonry surfaces.
12. DO NOT extend exposed vent pipe outside of building beyond the minimum distance required for the vent termination. Condensate could freeze and block the vent pipe.

**APPROVED**

should have a minimum clearance of 4 ft (1.2 m) horizontally from and in no case above or below electric meters, gas meters, regulators and relief equipment, unless a 4 ft (1.2 m) horizontal distance is maintained. The distance of the vent terminal from adjacent public walkways, adjacent buildings, open windows and building openings must be consistent with the NFGC (U.S.) or B149 (Canada). Gas vents supported only by flashing and extended above the roof more than 5 ft (1.5 m) should be securely guyed or braced to withstand snow and wind loads.

For factory approved vent termination caps, refer to the Illustrated Parts List (IPL) section of this manual. See page 66.

**Venting Installation Tips**

Support piping:

- horizontal runs—at least every 5 ft (1.5 m)
- vertical runs—use braces
- under or near elbows

**Venting Configurations**

For heaters connected to gas vents or chimneys, vent installations shall be in accordance with the NFGC (U.S.), or B149 (Canada), or applicable provisions of local building codes.

**Vertical Venting (Category I) Fan-Assisted**

**Installation**

Natural draft venting uses the natural tendency of the heated flue gases to rise, until they are expelled from the top of the flue. The negative draft must be within the range of -.01 to -.08 in. WC as measured 12 in. (305 mm) above the appliance flue outlet to ensure proper operation. Vent material must be listed by a nationally recognized test agency.

Double-wall Type B vent must be used to promote draft and to minimize condensation in the vent.

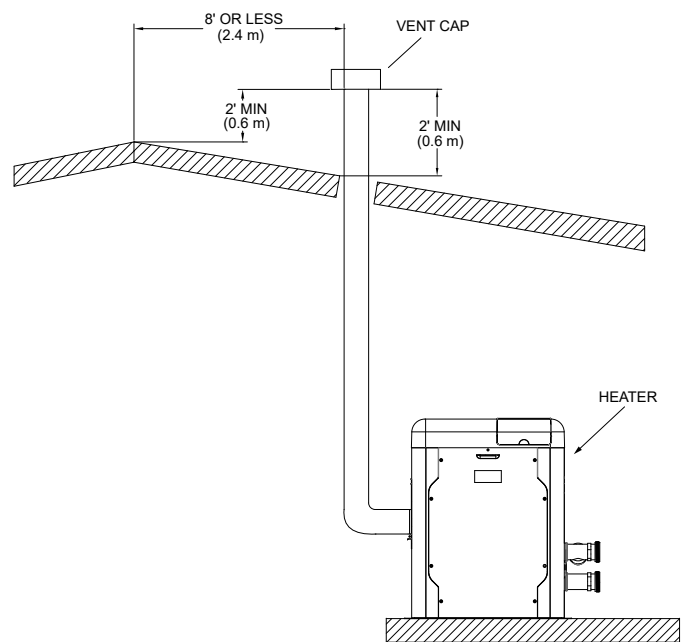
No drafthood is required or offered. A single-acting barometric damper is required if the height exceeds 25 feet (7.6 m).

The connection from the appliance vent to the stack must be as direct as possible. The horizontal breaching of a vent must have an upward slope of not less than 1/4 inch per linear foot from the heater to the vent terminal. The horizontal portions of the vent shall also be supported for the design and weight of the material employed to maintain clearances and to prevent physical damage or separation of joints.

**Termination**

The vent terminal should be vertical and should terminate outside the building at least 2 ft (0.6 m) above the highest point of the roof that is within 8 ft (2.4 m). The vent cap

**CAUTION: A listed vent cap terminal adequately sized, must be used to evacuate the flue products from the building.**



**Figure 9. Vertical Venting**

Model No.	Certified Vent Material	Vent Size in. (mm)	Vertical Vent Height ft (m)*	
			Min.	Max.
264/404	Category I (Type B Equivalent) Fan-Assisted	4 (101.6)	5 (1.5)	25 (7.6)

Vent lengths are based on a lateral length of 2 ft (0.6 m). Refer to the latest edition of the NFGC for further details. When vertical height exceeds 25 ft (7.6 m), consult factory prior to installation.

\*Subtract 12 ft (3.6 m) per elbow.

## Horizontal Through-the-Wall Venting (Category III)

### Installation

These installations utilize the heater's internal blower to vent the combustion products to the outdoors. Combustion air is taken from inside the room and the vent is installed horizontally through the wall to the outdoors. Adequate combustion and ventilation air must be supplied to the equipment room in accordance with the NFGC (U.S.) or B149 (Canada).

The total length of the horizontal through-the-wall flue system should not exceed 75 equivalent ft (22.86 m) in length. If horizontal run exceeds 75 equivalent ft (22.86 m), an appropriately-sized variable-speed extractor must be used. Each elbow used is equal to 12 ft (3.6 m) of straight pipe.

The vent cap is not considered in the overall length of the venting system.

The vent must be installed to prevent flue gas leakage. Care must be taken during assembly to ensure that all joints are sealed properly and are airtight. The vent must be installed to prevent the potential accumulation of condensate in the vent pipes. It is recommended that the vent be insulated. Insulation is required for installations in cold environments (i.e. below 40°F or 4°C). It is required that:

The vent must be installed with a condensate drain located in proximity to the heater as directed by the vent manufacturer.

The vent must be installed with a slight upward slope of not less than 1/4 inch per foot of horizontal run to the vent terminal.

### Termination

The vent cap **MUST** be mounted on the exterior of the building. The vent cap cannot be installed in a well or below grade. It must be installed at least 12" (305 mm) above ground level and above normal snow levels. The vent terminal must be located **NO CLOSER** than 12" (305 mm) off the wall.

For factory approved vent termination caps, refer to the Illustrated Parts List (IPL) section of this manual. See page 66.

APPROVED

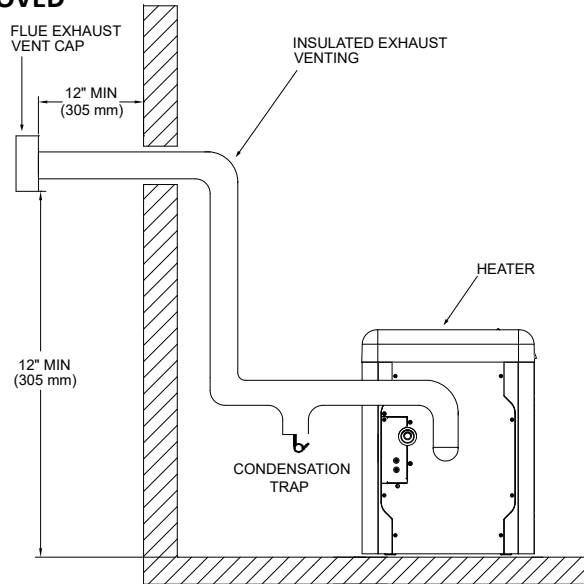


Figure 10. Horizontal Through-the-Wall Venting

**CAUTION:** This venting system requires the installation of a condensate drain in the vent piping per the vent manufacturer's instructions. Failure to install a condensate drain in the venting system will cause damage which will not be covered under warranty.

**WARNING:** No substitutions of flue pipe or vent cap material are allowed. Such substitutions would jeopardize the safety and health of inhabitants.

## Direct Vent - Horizontal Through-the-Wall

### Installation

These installations utilize the heater's internal blower to draw combustion air from outdoors and vent combustion products to the outdoors, see **Table K**.

**NOTE:** Use of B-vent on such a system does not meet direct-vent requirements.

The exhaust and intake systems must be installed to prevent the potential accumulation of condensate. It is recommended that they be insulated. Insulation is required for installations in cold environments (i.e. below 40°F (4°C)).

The flue termination cap is not considered in the overall length of the venting system.

Model No.	Certified Vent Material	Vent Size ft (m)	Maximum Vent Length ft (m)*	Combustion Air Intake Pipe Material**	Air Intake Max. Length* ft (m) 4" Ø
264/404	Category III	4 (1.2)	75 (22.86)	Galvanized Steel, PVC, ABS, CPVC	75 (22.86)

\* Subtract 12 ft (3.6 m) per elbow.

\*\* Schedule 40 in PVC or CPVC.

Table K. Category III Horizontal Vent & Horizontal Direct Vent

UNCONTROLLED DOCUMENT IF PRINTED



Care must be taken during assembly that all joints are sealed properly and are airtight.

The vent must be installed to prevent the potential accumulation of condensate in the vent pipes. It is recommended that the vent be insulated. Insulation is required for installations in cold environments (i.e., below 40°F or 4°C).

For installations in extremely cold climates, it is required that:

1. The vent must be installed with a slight upward slope of not more than 1/4 inch per foot of horizontal run to the vent terminal. An approved condensate trap must be installed per applicable codes.
2. The air intake vent must be insulated through the length of the horizontal run.

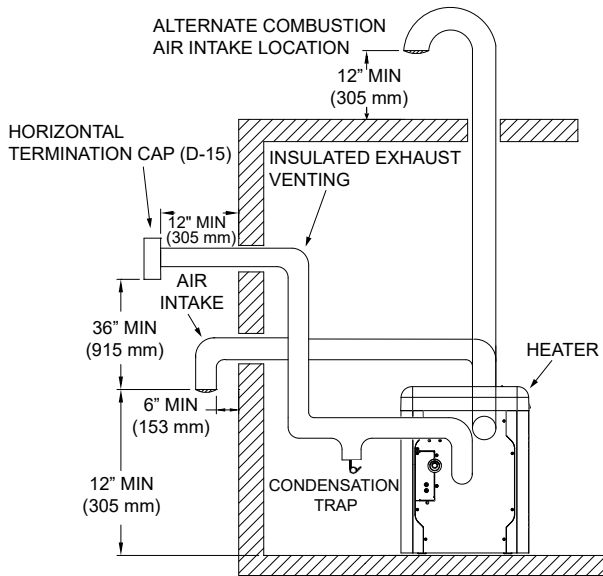


Figure 11. Horizontal Through-the-Wall Direct Venting

**Termination**

The exhaust vent cap **MUST** be mounted on the exterior of the building, and cannot be installed in a well or below grade. It must be installed at least 12" (305 mm) above ground level and above normal snow levels.

The exhaust vent cap **MUST NOT** be installed below or closer than 3 ft (0.9 m) from the air intake. Venting any closer to the air intake will cause combustion gases to recirculate into the heater.

This type of installation can cause non-warrantable problems with components and poor operation of the heater due to the recirculation of flue products. Multiple vent caps should be installed in the same horizontal plane with a 4 ft (1.2 m) minimum clearance from the side of one vent cap to the side of the adjacent vent cap(s). See **Figure 11**.

Combustion air supplied from outdoors must be free of particulate and chemical contaminants. To avoid a blocked flue condition, keep the vent cap clear of snow, ice, leaves, debris, etc.

Use only the special gas vent pipes listed for use with Category III gas burning heaters, such as the AL29-4C stainless steel vents offered by DuraVent (www.duravent.com). Follow the vent manufacturer's installation instructions carefully.

**▲ WARNING: No substitutions of flue pipe or vent cap material are allowed. Such substitutions would jeopardize the safety and health of inhabitants.**

**▲ CAUTION: Condensate is acidic and highly corrosive.**

**Direct Vent—Vertical**

**Installation**

These installations utilize the heater-mounted blower to draw combustion air from outdoors and force the heated flue products through the vent pipe under positive pressure. The vent material must be in accordance with the above instructions for vent materials. Vent material must be listed by a nationally recognized test agency.

The connection from the appliance flue to the stack must be as direct as possible and should be the same size or larger than the vent outlet.

It is recommended that the intake vent be insulated in colder climates.

**NOTE: Use of B-vent on such a system does not meet direct-vent requirements.**

**Termination**

The flue should be vertical and should terminate outside the building at least 2 ft (0.6 m) above the highest point of the roof within 10 ft (3.0 m). The vent cap should have a minimum clearance of 4 ft (1.2 m) horizontally from and in no case above or below (unless a 4 ft (1.2 m)) horizontal distance is maintained) electric meters, gas meters, regulators and relief equipment. The distance of the vent terminal from adjacent public walkways, adjacent buildings, open windows and building openings must be consistent with the NFGC (U.S.) or B149 (Canada).

Vent pipes supported only by flashing and extended above the roof more than 5 ft (1.5 m) should be securely guyed or braced to withstand snow and wind loads.

The air inlet opening **MUST** be installed 1 ft (305 mm) above the roof line or above normal snow levels that might obstruct combustion air flow. This dimension is critical to the correct operation of the heater and venting system and reduces the chance of blockage from snow. The vent cap must have a minimum 3 ft (0.9 m) vertical clearance from the air inlet opening.

Use only the special gas vent pipes listed for use with Category III gas burning heaters, such as the AL29-4C stainless steel vents offered by DuraVent (www.duravent.com). Pipe joints must be positively sealed. Follow the vent manufacturer's installation instructions carefully.

## APPROVED Gas Supply Connections

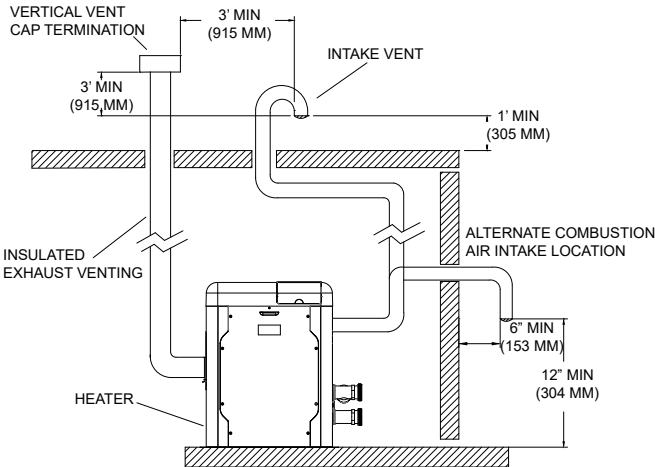


Figure 12. Direct Vent - Vertical

**⚠ WARNING:** No substitutions of vent pipe or vent cap material are allowed. Such substitutions would jeopardize the safety and health of inhabitants.

### Outdoor Installation

The vent cap provided with the heater is the standard venting method for outdoor installations.

Care must be taken when locating the heater outdoors, because the flue gases discharged from the vent cap can condense as they leave the cap. Improper location can result in damage to adjacent structures or building finish. For maximum efficiency and safety, the following precautions must be observed:

1. Periodically check venting system. The heater's venting areas must never be obstructed in any way and minimum clearances must be observed to prevent restriction of combustion and ventilation air. Keep area clear and free of combustible and flammable materials.
2. Do not locate adjacent to any window, door, walkway, or gravity air intake. The vent must be located a minimum of 4 ft (1.2 m) horizontally from such areas.
3. Install above grade level and above normal snow levels.
4. Vent terminal must be at least 3 ft (0.9 m) above any forced air inlet located within 10 ft (3.0 m).
5. Adjacent brick or masonry surfaces must be protected with a rust-resistant sheet metal plate.

**NOTE:** Condensate can freeze on the vent cap. Frozen condensate on the vent cap can result in a blocked flue condition.

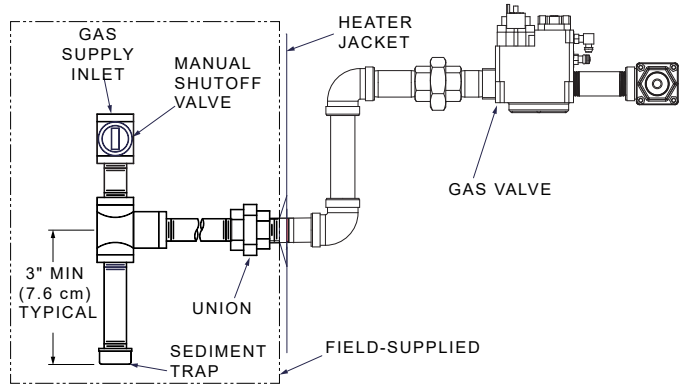


Figure 13. Gas Supply Plumbing

Gas piping must have a sediment trap ahead of the heater gas controls, and a manual shutoff valve located outside the heater jacket. All gas piping should be tested after installation in accordance with local codes.

**⚠ CAUTION:** The heater and its manual shutoff valve must be disconnected from the gas supply during any pressure testing of that system at test pressures in excess of 1/2 psi (3.45 kPa). Dissipate test pressure in the gas supply line before reconnecting the heater and its manual shutoff valve to gas supply line. **FAILURE TO FOLLOW THIS PROCEDURE MAY DAMAGE THE GAS VALVE. OVER-PRESSURIZED GAS VALVES ARE NOT COVERED BY WARRANTY.** The heater and its gas connections shall be leak-tested before placing the appliance in operation. Use soapy water for leak test. **DO NOT use open flame.**

### Supply Pressure

**⚠ CAUTION:** Do not use Teflon tape on gas line pipe thread. Only sealant tape or a pipe compound rated for use with natural and propane gases is recommended. Apply sparingly only on male pipe ends, leaving the two end threads bare.

A minimum of 4 in. WC and a maximum of 10.5 in. WC upstream pressure under load and no-load conditions must be provided for natural gas. Required pressure for Propane Gas: Min = 8.0" WC (Dynamic), Max = 13" WC (Static).

### Gas Pressure Regulator

The gas manifold pressure is preset to a negative -0.30" WC. If an adjustment is needed, remove the gas valve throttle seal and turn adjustment screw clockwise ↻ to increase pressure or counter-clockwise ↻ to decrease pressure. If available, the O<sub>2</sub> must be within 4.5 - 5.5% using a calibrated combustion analyzer.



APPROVED

## Flow Rates

Model	Pipe Size in. (mm)	Min. GPM (lpm)	Max. GPM (lpm)
264/404	2 (50.8)	40 (151)	100 (379)

\* When flow rates exceed maximum GPM an external auxiliary bypass valve is required. See External Bypass Valve Section on page 21 for details.

Table M. Min/Max Flow Rates

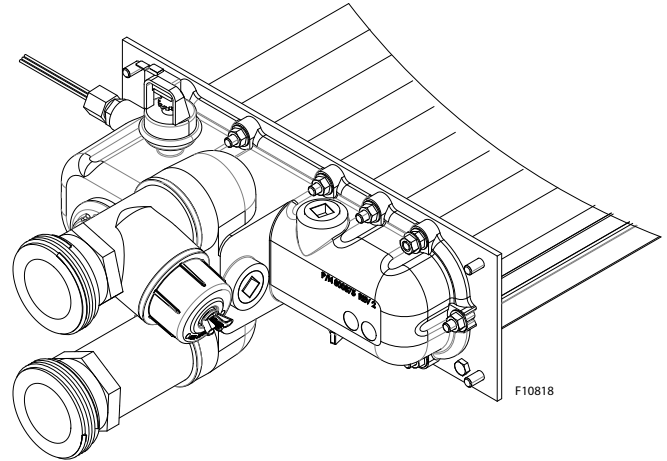


Figure 16. Water Flow

Flow GPM (lpm)	Pressure Drop Ft. of Head (m of Head)	
	264	404 (w/Coils)
40 (151)	7.2 (2.2)	13.4 (4.1)
50 (189)	10.0 (3.1)	16.5 (5.0)
60 (227)	12.6 (3.8)	19.5 (5.9)
70 (265)	17.0 (5.2)	23.7 (7.2)
80 (303)	24.0 (7.3)	28.3 (8.6)
90 (341)	30.3 (9.2)	33.2 (10.1)
100 (379)	36.0 (10.9)	37.0 (11.3)

Table N. Heat Exchanger Pressure Drops

**NOTE:** Table capacity is based on 2" Schedule 40 piping.

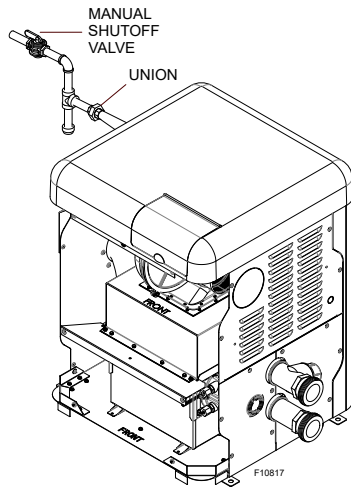


Figure 14. Manual Shutoff Valve Installation

## Gas Pressure Adjustment Locations

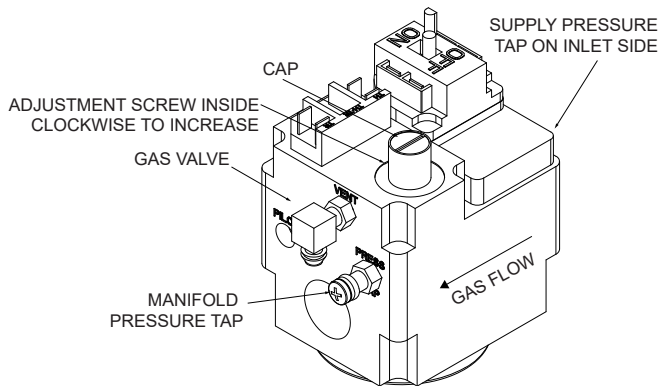


Figure 15. Gas Valve Adjustment

## Pipe Sizing for Gas Connection

The capacities shown below are based on using SCH 40 black iron pipe. For capacities using other materials, consult local codes.

Maximum Equivalent Pipe Length ft (m)								
Natural Gas 1000 BTU/FT <sup>3</sup> 0.60 Specific Gravity @ 0.5 in. WC Pressure Drop								
Propane Gas 2500 BTU/FT <sup>3</sup> 1.53 Specific Gravity @ 0.5 in WC Pressure Drop								
Model No.	Size 3/4"		Size 1"		Size 1-1/4"		Size 1-1/2"	
	NAT	PRO	NAT	PRO	NAT	PRO	NAT	PRO
264	15 (4.6)	35 (10.7)	50 (12.2)	125 (38.1)	210 (64.0)	480 (146.3)	445 (135.6)	
404	*	15 (4.6)	20 (8.8)	55 (16.8)	95 (29.0)	225 (68.6)	215 (65.5)	280 (85.3)

\* A 3/4" gas line can be used for up to 5' (1.5 m) maximum length from the gas valve in addition to the sediment trap.

Table L. Gas Pipe Sizing

**APPROVED**

High-temperature CPVC header flanges and header flange nuts are provided. If there is any possibility of back-siphoning when the pump stops, it is highly recommended that a check valve (or valves) also be installed in the system. It is also recommended to have a downstream ball or gate valve to regulate heater flow and pressure.

Before attaching the 2-inch unions to the inlet/Out header, make sure the O-rings are properly seated in the grooves. Use Aqualube or equivalent non-petroleum-based lubricant on the O-ring. **Hand tighten the unions.** Glue PVC piping directly to the unions.

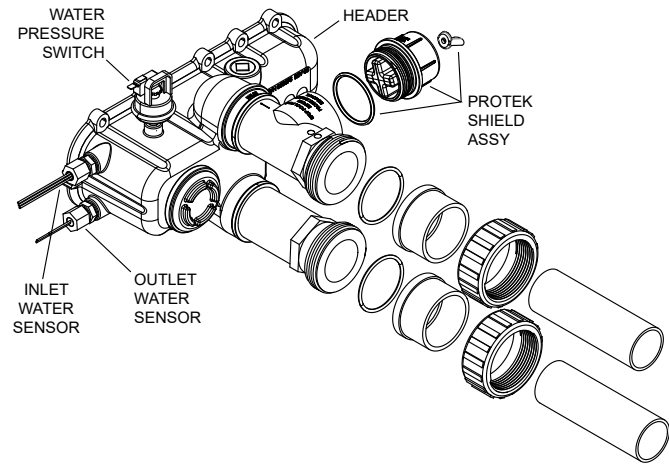


Figure 17. Inlet/Outlet Header

### ProTek Shield Assembly

This heater is equipped with a ProTek Shield Assembly located horizontally on the right side of the Inlet water connection.

This component provides protection to the heat exchanger against galvanic corrosion, when properly bonded to the heat exchanger. It should be replaced when the weight of the ProTek Shield is reduced to about 40% of the original weight (1.46 lbs.).

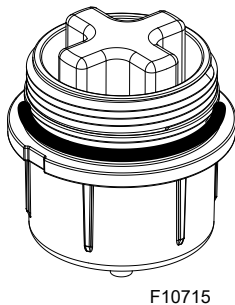


Figure 18. ProTek Shield Assembly

**CAUTION:** STOP the pool pump before attempting to remove ProTek Shield Assembly. Failure to do so may result in damage to ProTek Shield Assy, loss of pool water, or personal injury.

**CAUTION:** Do not use tools to remove (twist) the ProTek Shield Assy or the wing nut on the stud of the ProTek Shield Assy. Non-warrantable damage may occur.

Follow the steps below to replace the ProTek Shield Assy:

1. Shut off the pool pump and bleed pressure from the system.
2. Close isolation valves to minimize pool/spa water loss.
3. Remove wing nut from bottom stud on ProTek Shield Assy.
4. Remove bonding wire ring terminal from stud.
5. Rotate ProTek Shield Assy counter-clockwise (by hand) to unscrew it from the assembly.
6. Inspect/replace as necessary and reverse above procedure to reinstall. **Hand tighten only!** Do not use tools.

**NOTE:** Make sure the O-ring is properly seated in the O-ring groove before installation.

### Unitherm Governor Operation

**CAUTION:** The patented Unitherm Governor is a thermostatic mixing valve specifically designed to maintain constant heater internal temperature between 120°F (49°C) and 135°F (57°C) despite continually changing flow rates from the filter and changing pool temperatures. This range is needed to reduce the amount of condensation from the fin tubes which will occur if the heater runs for any length of time below 100°F (38°C) water from the pool. It is also needed to inhibit scale formation in the tubes by maintaining temperatures well below accelerated scaling temperatures.

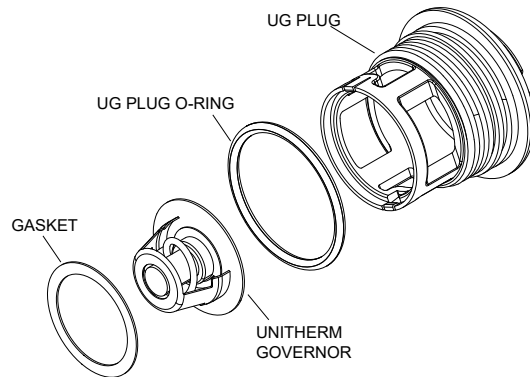


Figure 19. Unitherm Governor

## Internal Automatic Bypass Valve

In addition to the Unitherm Governor, a built-in automatic bypass valve is provided in the In/Out header. While the Unitherm Governor responds to the changes in water temperature in the heater, the internal bypass valve automatically responds to changes in water pressure in the piping system. Proper amount of water flow is maintained through the heater under varying pressures dictated by the conditions of the pump and filter.

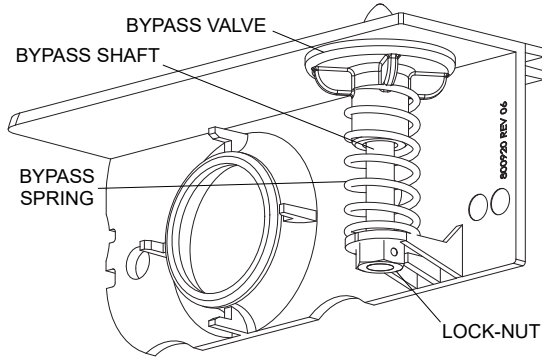
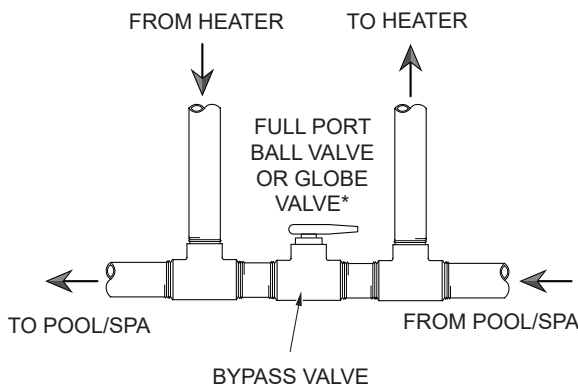


Figure 20. Internal Automatic Bypass Valve

## External Auxiliary Bypass Valve

**Where Required** - An auxiliary bypass valve should be used when flow rates exceed 100 GPM (379 lpm). Usually a high-performance pump size larger than two horsepower will exceed this flow rate. This valve is required to complement the function of the automatic bypass valve, particularly when starting the heater in winter or early spring when the spa or pool temperature is below 50°F (10°C). It also serves to eliminate needless pressure drop through the heater and accompanying reduction in the flow rate to the spa jets.



**\*NOTE:** Do not use a gate valve.

Figure 21. Auxiliary Bypass Valve

## Auxiliary Bypass Valve Adjustment

**To set bypass** - With clean filter, adjustment is made by feeling the inlet and outlet pipes at the heater. Outlet pipes should be slightly warmer than inlet and comfortable to the touch. If pipe is hot, close bypass; if cold, open bypass.

## Pressure Relief Valve Installation

A 3/4" NPT connection is provided in the header for installation of a pressure relief valve (PRV). The valve shall be installed in a vertical position. The PRV can leak overtime and may not operate correctly if installed in a different orientation. Do not over-tighten. Install pressure relief valve hand-tight, plus a 1/2 turn. Use PRV kit (018936F) and **Figure 23** below to properly plumb the PRV.

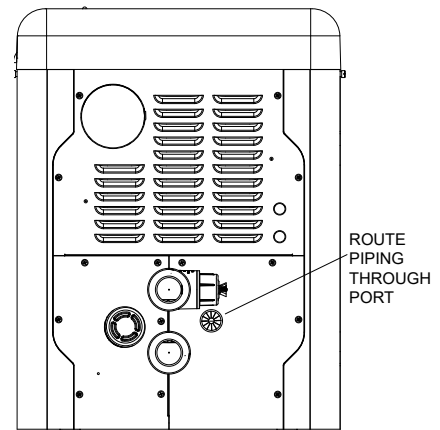


Figure 22. PRV Location

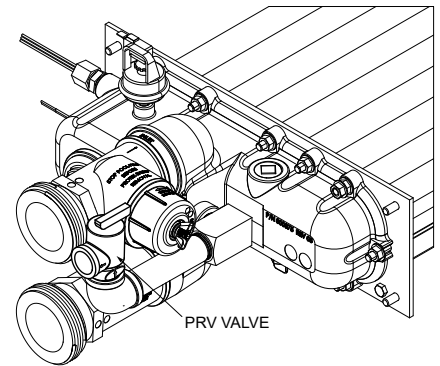


Figure 23. PRV Installed

**NOTE:** To avoid water damage or scalding due to valve operation, drain pipe must be connected to the outlet of the PRV and run to a safe place of discharge. Drain pipe must be the same size as the valve discharge connection throughout its entire length and must pitch downward from the valve. No shutoff valve shall be installed between the relief valve and the drain line. Valve lever should be tripped at least once a year to ensure that waterways are clear.

The heater requires water flow and positive pressure to fire and operate properly. It must therefore be installed downstream of the discharge side of the filter pump. See **Figure 24** and **Figure 25**.

A typical installation is plumbed as follows:

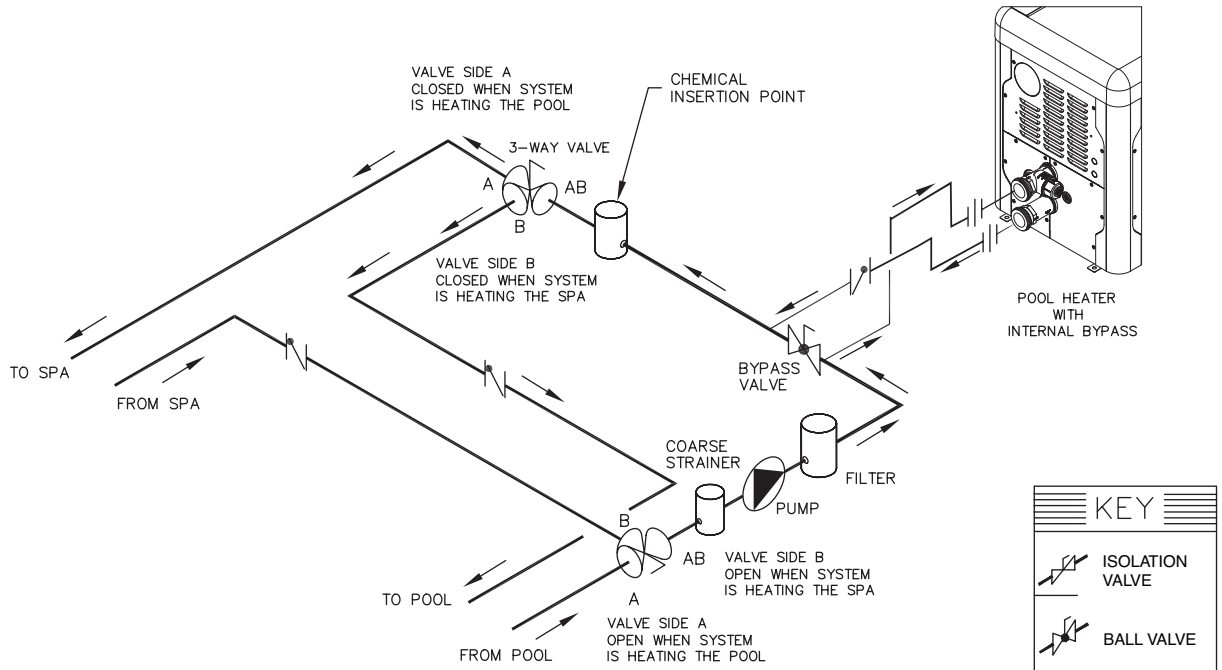
1. The inlet side of the filter is plumbed directly to the discharge side of the filter pump;
2. The outlet side of the filter is then plumbed to the inlet of the heater; and
3. The outlet of the heater is plumbed to the return line to the pool or spa. The pump, filter and heater are thus plumbed in series (Salt generators and chemical feeders must be downstream of the pool heater).

**▲ CAUTION:** An additional source of heated water, e.g. a solar heating system, must be connected to the main line ahead of the heater inlet pipe in order for it to act as the primary heat source. If the primary system provides adequate heat to maintain setpoint, the heater will not fire. Be advised that the control panel will then display sensed water temperatures downstream of the primary heating system, rather than the temperature of the water exiting the pool.

Heater must be located so that any water leaks will not damage the structure of adjacent area. CPVC or PVC pipe may be glued directly into the half-unions provided.

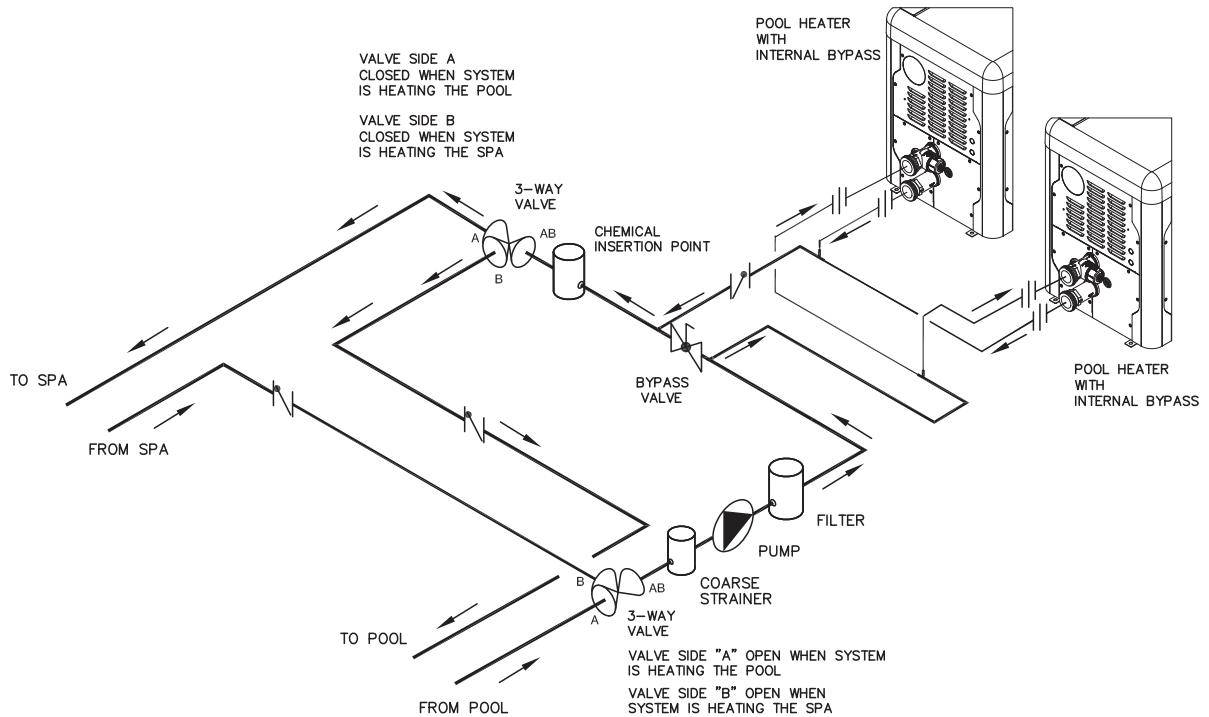
# Plumbing Diagram

## Water Connection



THIS DIAGRAM IS A RECOMMENDATION AND IS NOT INTENDED TO REPLACE AN ENGINEERED PIPING SYSTEM BY A PROFESSIONAL ENGINEER

Figure 24. Single Pool Heater Installation



THIS DIAGRAM IS A RECOMMENDATION AND IS NOT INTENDED TO REPLACE AN ENGINEERED PIPING SYSTEM BY A PROFESSIONAL ENGINEER

Figure 25. Multiple Pool Heater Installation  
UNCONTROLLED DOCUMENT IF PRINTED

APPROVED

## 5. ELECTRICAL WIRING

### Water/Flue Connection Reversal

The heater is designed so that the control panel along with the top can rotate in 90-degree increments to face the user.

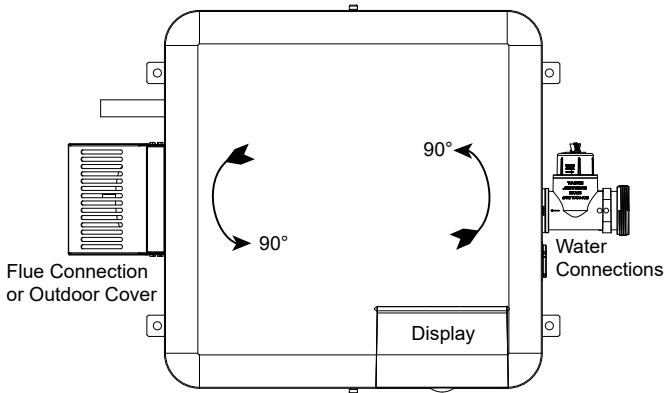


Figure 26. Connection Reversal

To rotate the top, remove the (2) knurled screws holding the jacket top to the heater as shown below. Rotate the top to the desired position and reinstall the knurled screws to retain the jacket top. See **Figure 34** on page 27.

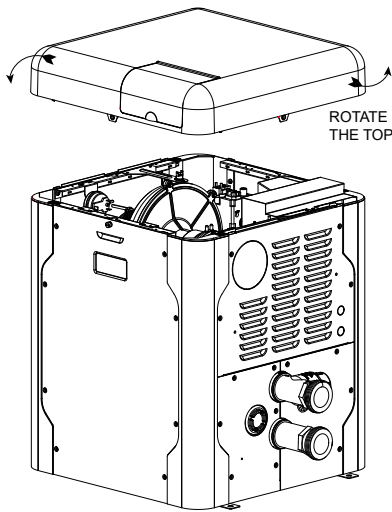


Figure 27. Rotate Jacket Top

**NOTE:** If it is necessary to replace any of the original wiring, use 150°C wire or its equivalent.

**⚠ WARNING:** The heaters are factory-wired for 240 VAC, 1Ph, 60Hz power supply. DO NOT attempt to operate at 208 VAC or below.

**NOTE:** Holes not utilized on jacket and control box can be used for fireman switch, or auxiliary control interface.

### Electrical Power Draw

**⚠ CAUTION:** A bonded lug is located below the junction box. Failure to ground the heater electrically could affect the heater's electronics.

**NOTE:** See "Time Clock/Fireman's Switch" on page 38 for further instructions if using a time clock/fireman's switch.

The Electronic Ignition Device automatically lights the burner upon a call-for-heat. The heater is supplied with a dual-voltage transformer for 120 VAC or 240 VAC input power hookup.

When operating on 120 VAC power, units draw 1.6 amps. When operating on 240 VAC power, units draw 1.2 amps.

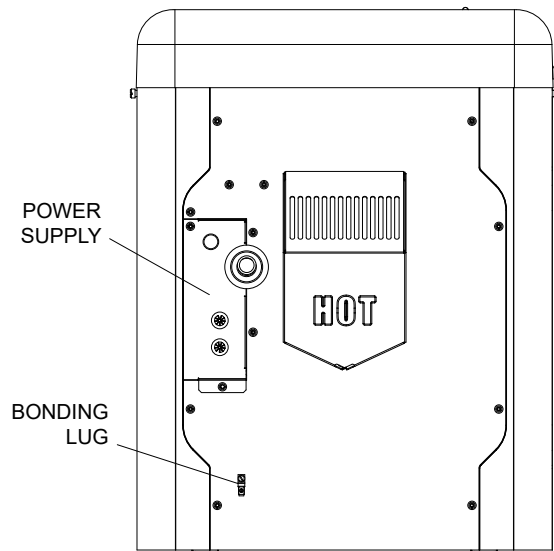


Figure 28. Heater Wiring Locations



# Transformer Wiring

## 120 VAC Wiring

For 120 VAC input power to the unit, connect the field-supplied Black wire (L1) to the (2) Black wires from the heater. Connect the white and red/white wires to the "N" or Neutral leg of the power supply. **There should be no connection to the red wire for 120 VAC operation.** Attach a wire nut to the red wire.

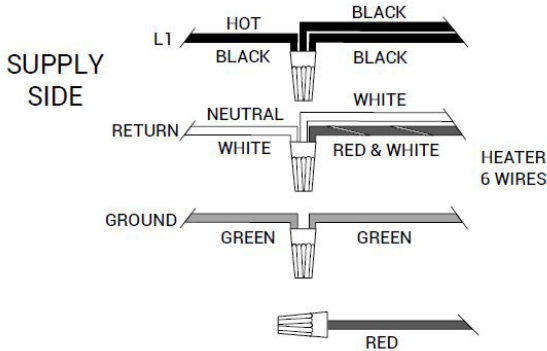


Figure 29. 120 VAC Wire Connection

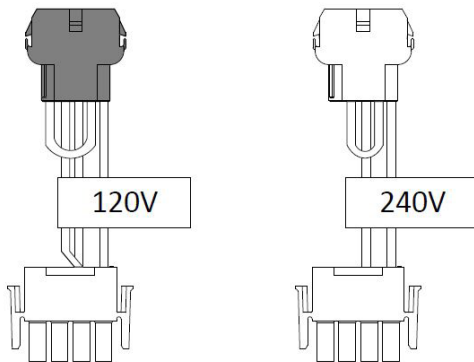


Figure 30. 120/240 VAC Blower Jumpers

**CAUTION:** The heater is prewired with a 240V connector to the blower. If the supply voltage is 120V, replace the connector with the supplied 120V (red connector). Using the wrong corresponding connector will cause electrical damage.

## 240 VAC Wiring

For 240 VAC input power to the unit, connect the black wires to the L1 or hot leg of the power supply. Connect the red and red/white wires to the "L2" or second hot leg of the power supply. **There should be no connection to the white wire for 240 VAC operation.** Attach a wire nut to the white wire.

**⚠ WARNING:** DO NOT attempt to operate the heater at 208 VAC.

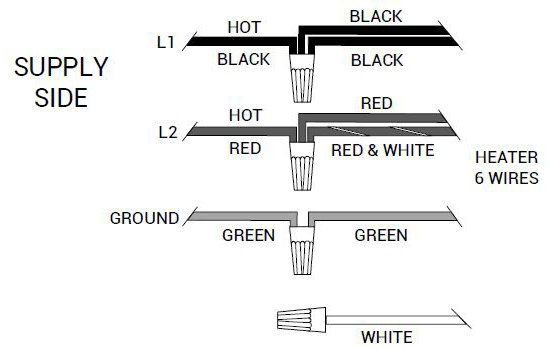


Figure 31. 240 VAC Wire Connection

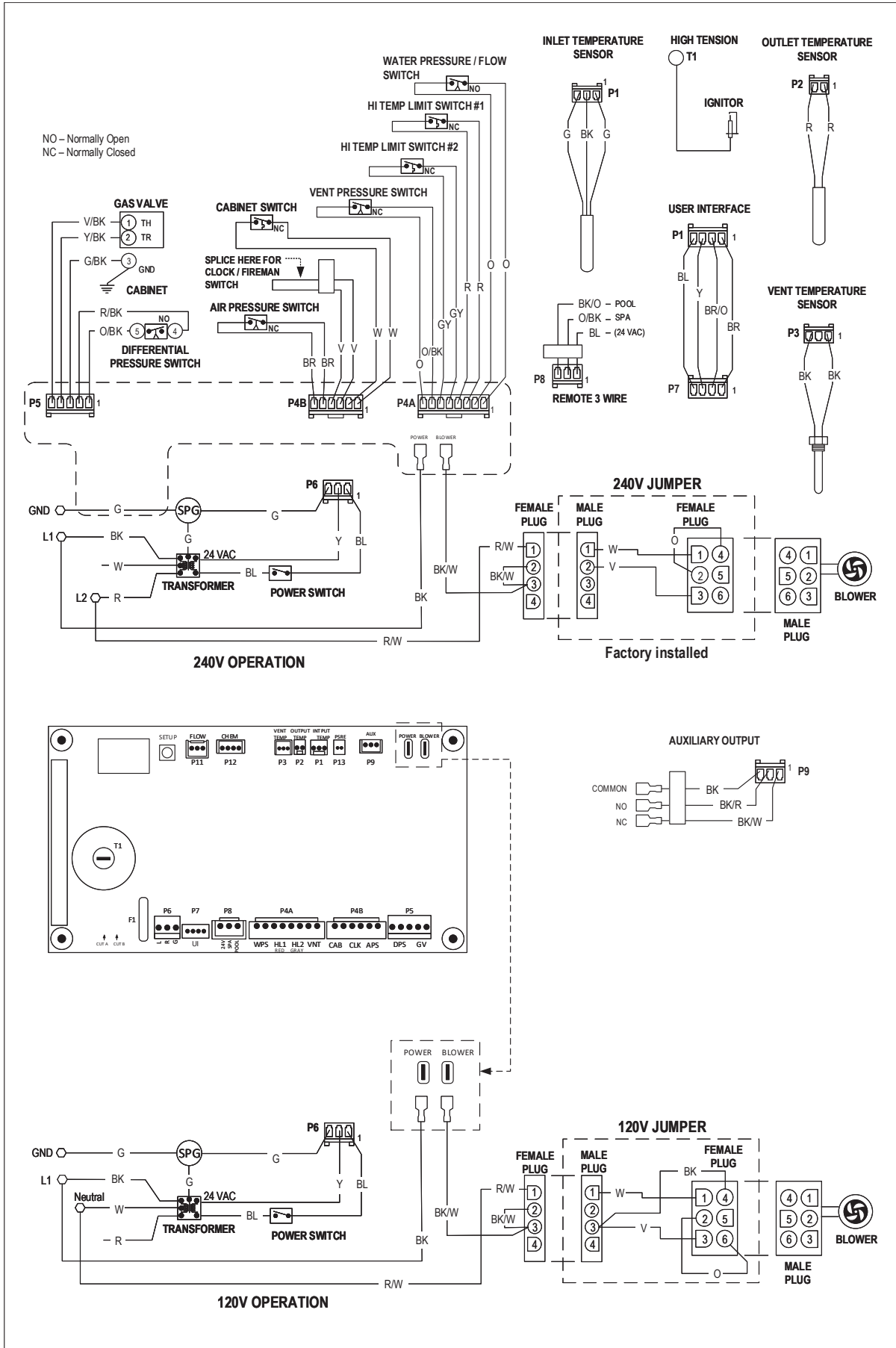
The heater must be electrically grounded and bonded in accordance with local codes, or, in the absence of local codes, with the latest edition of the National Electrical Code, ANSI/NFPA 70. (Canada - Canadian Electrical Code, CSA C22.1, Part 1 and Part 2.)

**CAUTION:** If the transformer's primary side is wired for 120 VAC and 240 VAC is applied, damage to the transformer and PC board may result. Such damages are not covered under manufacturer's limited warranty.

**NOTE:** Input power to the heater (120 or 240 VAC) can be supplied from the load (pump) side of time clock or directly from the GFCI power source. It is preferred that full-time power be supplied to the heater from the GFCI power source, and that the heater be controlled by the fireman's switch connection or using a two or three-wire remote. If using a switched GFCI power source, the heater could display false service indicators on the display panel if the pump is turned off.



# 6. WIRING DIAGRAM



# 7. CONTROLS

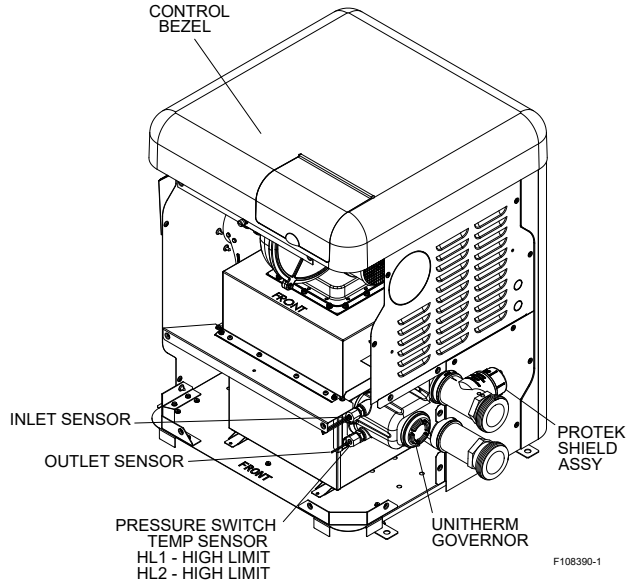


Figure 32. Location of Controls (View One)

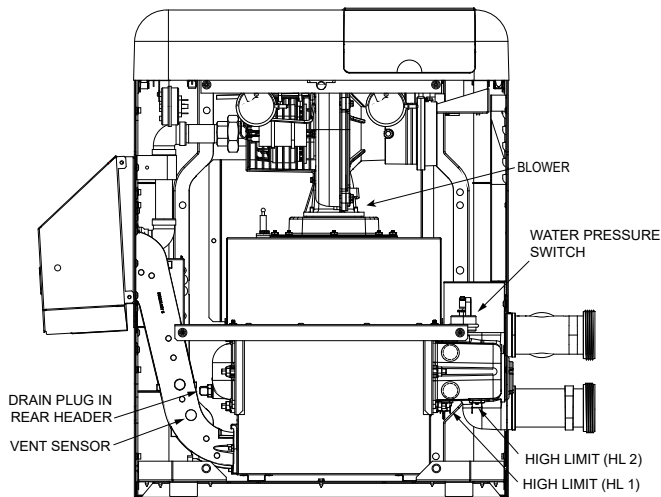


Figure 33. Location of Controls (View Two)

## Heater Top Removal

1. Remove the knurled screws from front and rear door. See Figure 34. Set jacket top aside for serviceability.
2. Lift top cover to detach from unit. Leave user interface harness connected to Ignition board.

**NOTE:** Caution must be used to not damage controls or wiring.

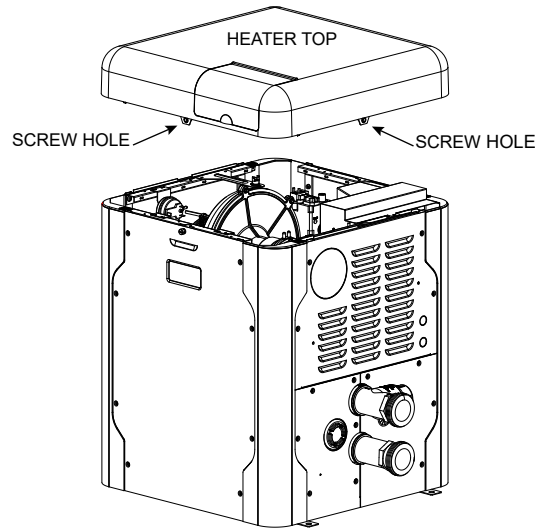


Figure 34. Heater Top Removal

## Control Adjustments

The pool heater touchpad, located on the upper front panel of the heater, allows the user to select either POOL or SPA operation, and to adjust the setpoint temperature. The LCD display window indicates the mode (OFF, SPA, POOL) and the actual water temperature. A manual power switch provided below the touchpad turns the control power ON or OFF. See Figure 35.

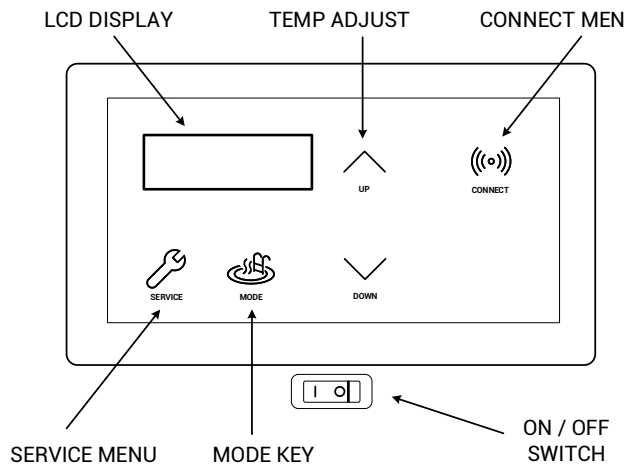


Figure 35. Control Adjustments

### Mode Key

The Mode Key is used to select POOL or SPA operation. It also allows the user to select the OFF mode of operation, during which the LCD, while displaying OFF, continues to show the water temperature.

### UP and DOWN Keys

If the heater is in POOL or SPA mode, the desired water temperature (SETPOINT) will be displayed and may be adjusted using the UP or DOWN keys.

## Operation

In the POOL or SPA modes, the actual water temperature is displayed along with the desired water temperature (SETPOINT). When the water temperature is above the setpoint, "Water Temp" will alternate with "No Demand." When the water temperature is below the setpoint and the heater is firing, "Water Temp" will alternate with "Heating."

To adjust the setpoint temperature, make sure the control is in the appropriate mode (POOL or SPA) and touch the UP or DOWN keys.

By default, the setpoint range is 50-104°F (10-40°C). See "Program Menu" on page 31 to increase the MAX setting, if necessary.

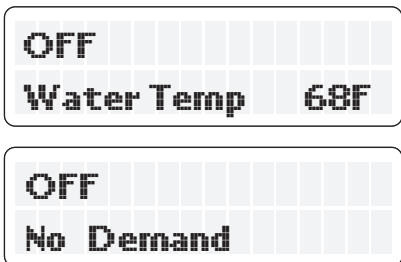


Figure 36. Alternating Display During Heating

## Service Menus

To access the Service Menu and fault history, press the SERVICE key 1 time. The heater will continue to operate while in the Service Menu.

The first screen displayed is the Flame Strength indicator, which indicates the flame current using a numerical display. A signal of less than 1.0  $\mu$ A indicates a weak flame signal and may require service. Refer to "Troubleshooting" on page 47 for possible causes and corrections.

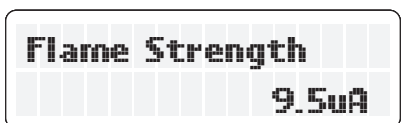


Figure 37. Flame Strength Indicator

Press the DOWN key. The Supply Voltage screen indicates the voltage supplied to the control board. Normal readings range from 24 to 30 volts.



Figure 38. Supply Voltage Indicator

## APPROVED

Press the DOWN key. The "Hours" run time indicates the total hours of operation for the pool heater, as measured by the amount of time that the gas valve has been powered. The "Cycles" count indicates the number of on/off cycles of the heater, as measured by the number of times the valve has been powered.



Figure 39. Run Time/Cycles

Press the DOWN key. The Fault History displays up to ten faults in memory. The order of the faults begins with "Last Err" which is the most recent fault, and proceeds through the ten most recent messages in reverse chronological order. Run time hours at the moment of the fault are displayed at the end of line one. The second line of the display shows the fault message. If there are no faults in the history buffer, the second line reads "All Faults Clear."

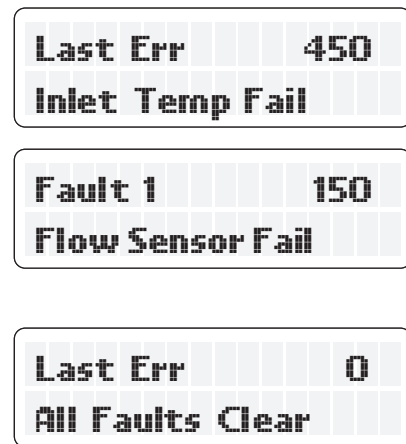



Figure 40. Fault History Indicator

Press the Service  key again. The advance service menu is accessed.

### Inlet and Outlet Temperature

The Inlet / Outlet Temperature screen indicates the water temperature sensed in the inlet and at the outlet of the pool heater.

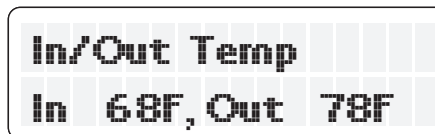


Figure 41. Inlet and Outlet Temperature

### Vent Temperature

Press the DOWN key. The Vent Temperature screen indicates the temperature sensed in the vent.

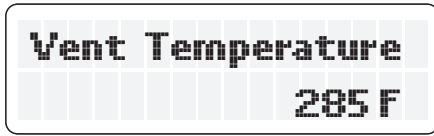


Figure 42. Vent Temperature

**NOTE:** If the sensed flue temp exceeds 390°F (199°C), the heater will shut down on a vent temperature fault. If the sensed flue temp is less than 175°F (79°C), the unit may condense.

### Flow Monitoring

Press the DOWN key. By default, the Flow Monitoring screen indicates the estimated flow when unit is heating.

When optional flow sensor is installed, this screen can be configured to display flow sensor readings. See page 32 to configure the Flow Sensor input.

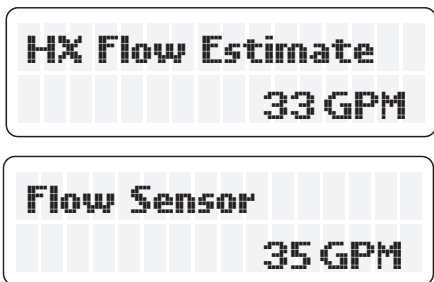


Figure 43. Flow Monitoring

### Estimated Volume and Heat Time

Press the DOWN key. The Pool Volume and Heat Time screen indicates the estimated pool volume in gallons and heat-up time in minutes.

Press the DOWN key again. The Spa Volume and Heat Time screen indicates the estimated Spa volume in gallons and heat-up time in minutes.

Any volume equal or below 3000 gallons is considered a Spa, while any estimated volume above 3000 gallons is estimated as Pool.

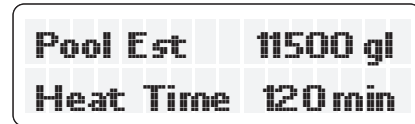


Figure 44. Estimated Volume and Heat Time

**NOTE:** Volume and heat time estimations are based on single heater supplying a body of water of constant volume. Multiple heaters, combined heat sources or interconnection of multiple body of waters may cause wrong calculations.

### Pump Status

Press the DOWN key. When enabled, the Pump Status screen indicates current pump speed.

Pump Control is compatible with Raypak Variable Speed Pump.

By default, Pump Control is disabled. See page 32 to select and configure Pump Control.

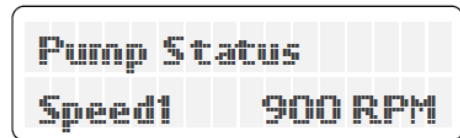


Figure 45. Pump Status

### Auxiliary Output

Press the DOWN button. The Auxiliary Output screen indicates current status of the auxiliary relay output.

Pressing SERVICE and MODE keys simultaneously for 3 seconds toggles output state between ON and OFF.

Normally Open output rating: 10A 120V, 5A 240V

Normally Closed output rating: 3A 120V, 2A 240V

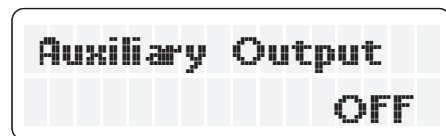


Figure 46. Auxiliary Relay Output

APPROVED

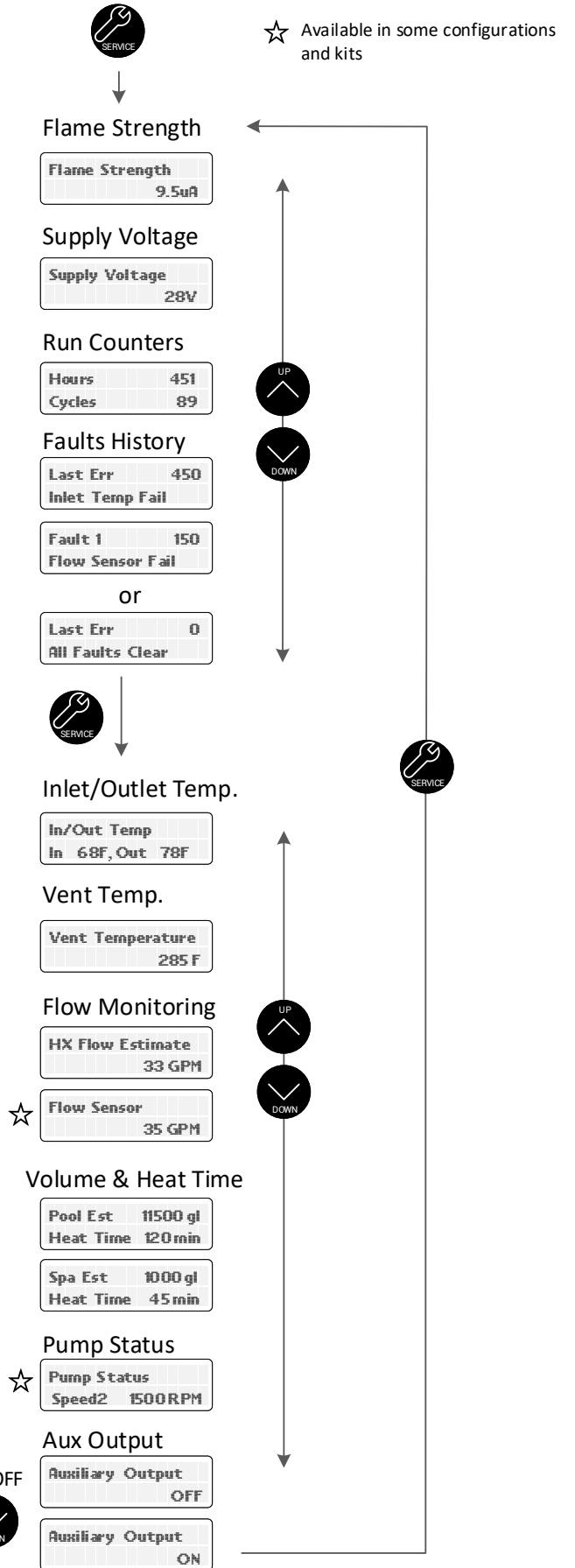
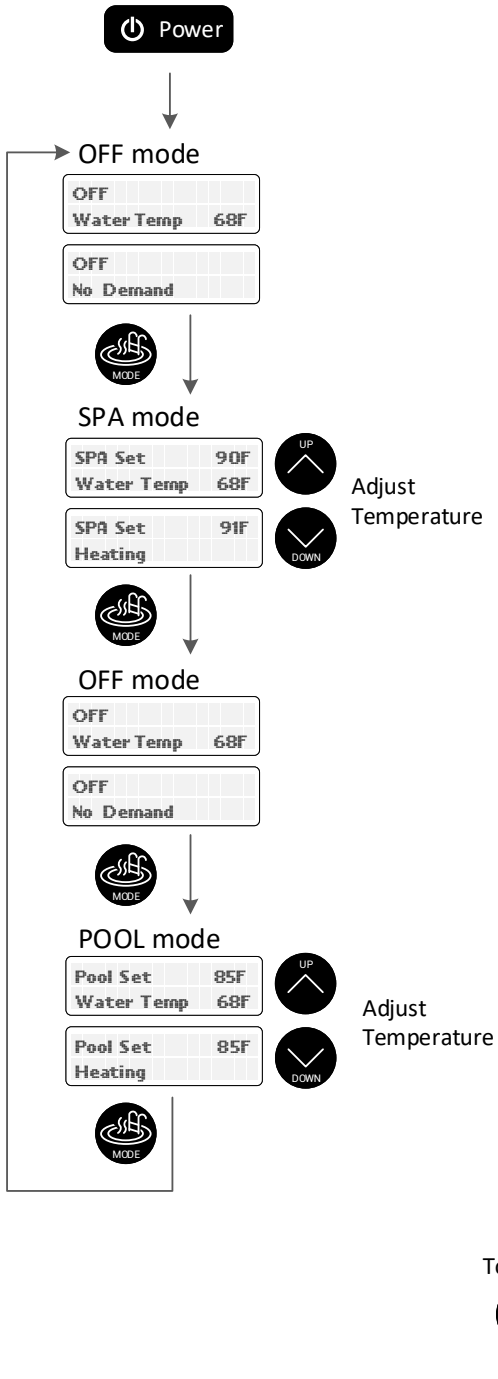
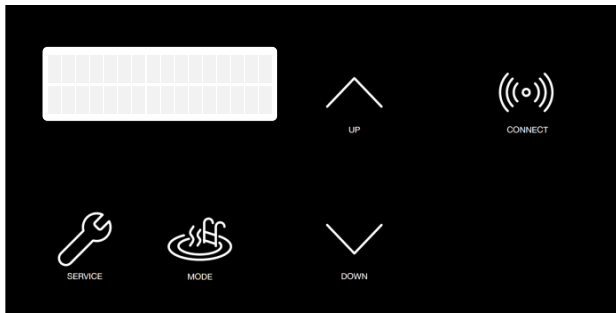


Figure 47. Operation and Service Screens

UNCONTROLLED DOCUMENT IF PRINTED

## Program Menu

To access PROGRAM menu, press and hold SERVICE and MODE keys simultaneously for 5 to 7 seconds until "Language" appears on the display.

**NOTE:** Changes to default program configurations could affect normal functionality of the heater.

Press the SERVICE key sequentially until the desired program event is reached. By default, there are 12 different settings that can be programmed. Additional configurations for Flow Sensor, Pump Control and Water Chemistry are displayed when enabled. **Figure 48** lists the default menus.

Language English	Lenguaje Español	Langue Français
Set Defaults	Defaults Set	
Reset Faults	Faults Cleared	
Temp Display Fahrenheit	Temp Display Celsius	
Spa Max Temp 50 F	Spa Max Temp 107 F	
Pool Max Temp 50 F	Pool Max Temp 107 F	
WiFi Reset	WiFi Initialized	
Automation Mode Enabled	Automation Mode Disabled	
Flow Monitoring Estimation	Flow Monitoring Flow Sensor	
Altitude Normal 0 to 4500 ft	Altitude High Above 4500ft	
Pump Control Disabled	Pump Control Enabled	
Water Chemistry Disabled	Water Chemistry Enabled	

## Language Selection

Initial display in PROGRAM Menus is "Language" selection.

The UP and DOWN keys will select English, Spanish or French language for all menus and Display messages.

## Set Factory Defaults

Press the SERVICE key until it appears on the digital display. Press and hold SERVICE and MODE keys simultaneously for 3 to 5 seconds until "Defaults Set" appears.

This operation resets the operating program to its factory default values.

Both the POOL and SPA setpoints will revert to 65°F (18°C) and both POOL and SPA maximum temperature settings will be 104°F (40°C). Language is set to English, temperature display is set to Fahrenheit, Automation Mode is enabled, Altitude to Normal, Flow monitoring is set to Estimate, Pump Control and Water Chemistry are disabled. The Control Lockout PIN will be cleared and the control will resume normal operation. See "Control Lockout" section on page 34.

## Reset Faults

Press the SERVICE key until "Clear Faults" appears on the digital display. Press and hold SERVICE and MODE keys simultaneously for 3 to 5 seconds until "Faults Cleared" appears.

This operation resets the Fault History file to "0" and clears all the stored faults.

## Temperature Display

Press the SERVICE key until "Temp Display" appears on the digital display. The UP or DOWN keys will select Fahrenheit or Celsius on the temperature display. Choose the desired temperature scale.

## Spa Setpoint Maximum Adjustment

Press the SERVICE key until "Spa Max. Temp" appears on the digital display. Using the UP and DOWN keys will change the Maximum Temperature Setting to your desired value. The control can be set for a maximum of 107°F (42°C).

## Pool Setpoint Maximum Adjustment

Press the SERVICE key until "Pool Max. Temp" appears on the digital display. Using the UP and DOWN keys will change the Maximum Temperature Setting to your desired value. The control can be set for a maximum of 107°F (42°C).

Figure 48. Programmable Events

## APPROVED

### Wi-Fi Reset

Press the SERVICE key until "Wi-Fi Reset" appears on the digital display. Press and hold SERVICE and MODE keys simultaneously for 3 to 5 seconds until "Wi-Fi Initialized" appears.

This operation resets the Wi-Fi credentials, leaving the unit ready to configure connection with the Raymote app. For details on how to connect your pool heater to Raymote, follow the instructions on page 58.

### Automation Mode

Press the SERVICE key until "Automation Mode" appears on the digital display. The UP or DOWN keys will select Enabled or Disabled Automation mode functionality. When an automation routine is active, the display shows an "@" at the end of Row 1.



Figure 49. Automation Mode Enabled

By default, Automation Mode is enabled. For details on how to configure scheduling and automation with Raymote, refer to page 58.

### Flow Monitoring

Press the SERVICE key until "Flow Monitoring" appears on the digital display. The UP or DOWN keys will select "Estimation" or "Flow Sensor" on the Flow Monitoring function.

By default, Flow Monitoring is set to "Estimated". This function estimates the flow when unit is in "Heating" status.

Flow Sensor is compatible with an optional 5 VDC hall-effect Flow Sensor. When Flow Sensor option is enabled, the flow sensor input (P11) translate pulse count of 1 Hz to 1 GPM. To calibrate, set a gain using the Flow Sensor Gain submenu.



Figure 50. Submenu - Flow Sensor Gain

### Pump Control

Press the SERVICE key until "Pump Control" appears on the digital display. The UP or DOWN keys will select "Enabled" or "Disabled". By default, Pump Mode is Disabled.

Pump Control is compatible with Raypak RVPSP1 pump.

When "Pump Control" is enabled, the speed configuration submenus are displayed. Use these submenus to set predefined pump speeds from 1 to 4.

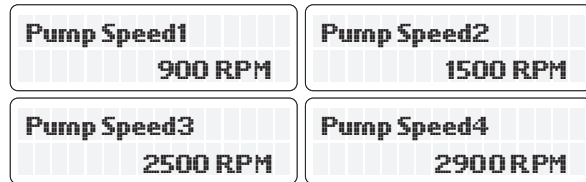


Figure 51. Submenu - Pump Speeds

### Water Chemistry

Press the SERVICE key until "Water Chemistry" appears on the digital display. The UP or DOWN keys will select "Enabled" or "Disabled". By default, Water Chemistry is "Disabled".

These features are compatible with the Raypak Water Chemistry kit.



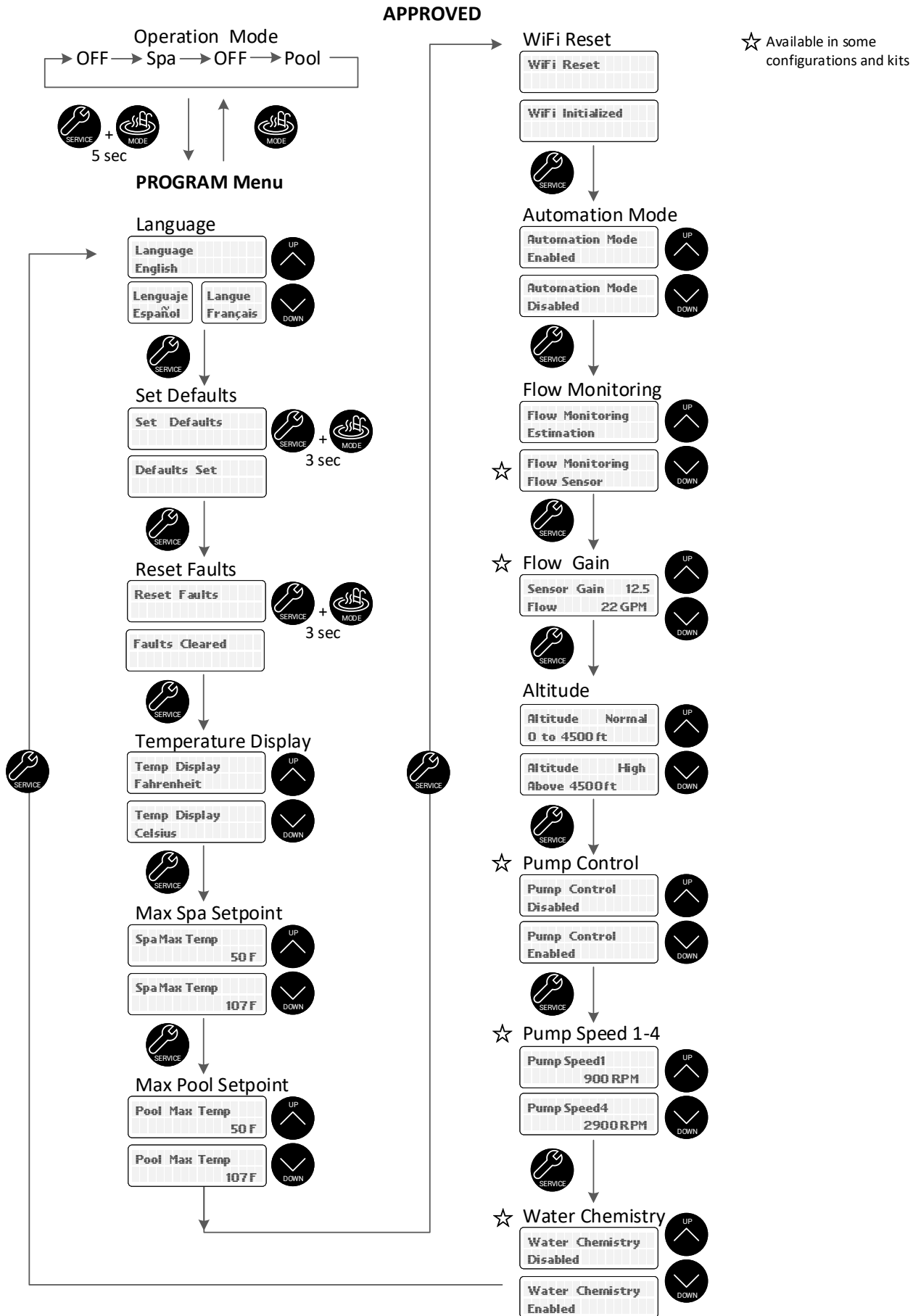


Figure 52. Program Menu Screens

**APPROVED**

## Status and Diagnostics

## Control Lockout

The heater is equipped with a Control Lockout feature to prevent unauthorized tampering or adjustment of the control settings. To lock out the controls, press the MODE and DOWN keys simultaneously for 5-seconds. Choose a three-digit PIN, using the UP and DOWN keys to select the digits and the MODE key to lock in selections. Confirm your selection and record your PIN.

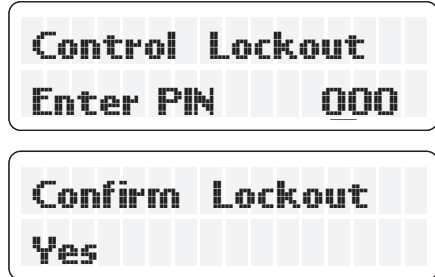


Figure 53. Control Lockout

To unlock the controls, press MODE, UP or DOWN key to bring up the ENTER PIN menu. Enter the PIN that was used to lock the control. Note that power cycling will not clear the lockout. Successfully unlocking the control will display "LOCKBOX CLEARED". Failure to enter the correct PIN will display "INVALID PIN".

In the event that the user-selected PIN is lost or does not clear the Control Lockout, use the Program Menu to SET FACTORY DEFAULTS. This will clear the PIN and allow normal operation and selection of a new PIN if desired. See the "Program Menu" section on page 31 for details.

**NOTE:** By setting FACTORY DEFAULTS, both the POOL and SPA setpoints will revert back to 65°F (18°C) and the POOL and SPA maximum temperature settings will be 104°F (40°C). These setpoints will need to be readjusted to desired settings. Other default configurations are also applied.

## Keypad Lockout

After 30-minutes of inactivity, the controller will automatically lockout all User Interface keys to avoid unintended key press. Follow on-screen instruction to unlock keys. Press UP key 3 times, followed by MODE key to unlock.

To lock keypad manually, press SERVICE, MODE and DOWN key simultaneously for 3 to 5 seconds.

The LCD displays a variety of status and diagnostic messages, depending on the operating conditions.

The following heat status messages are displayed in Pool, Spa, and Remote modes when there are no active fault conditions.

Display	Condition
No Demand	Water temperature is equal or above setpoint.
Pre-Purge	Call-for-heat established.
Spark	Spark operating.
Heating	Flame present. Unit is heating.
Post-Purge	Heating is terminated. Unit cool down.

Table O. Heater Status Messages

The following conditions are displayed in Pool, Spa and Remote modes when there are active fault conditions.

Display	Condition
<b>In Sensor Fault</b>	Water Inlet thermistor temperatures disagree by more than 3°F (1.5°C).
<b>In Sensor Open</b>	Water Inlet thermistor sensor failed open. Below 6°F (-14°C).
<b>In Sensor Short</b>	Water Inlet thermistor sensor failed short. Above 188°F (86.5°C).
<b>Out Sensor Open</b>	Water Outlet thermistor sensor failed open. Below 6°F (-14°C).
<b>Out Sensor Short</b>	Water Outlet thermistor sensor failed short. Above 188°F (86.5°C).
<b>Flue Sensor Open</b>	Flue temp sensor failed open. Above 464° F (240°C).
<b>Flue Sensor Shrt</b>	Flue temp sensor failed short. Below 7.5°F (-13.5°C).
<b>Flow Sensor Fail</b>	When equipped, Flow sensor readings are out of range (0 to 100 GPM).
<b>Flame w/o CFH</b>	Board is sensing flame when gas valve is commanded shut.
<b>Gas Valve Fault</b>	Gas valve is sensed to be ON when commanded OFF. 60-min. soft lockout.
<b>Pump Ctl Fail</b>	When equipped, Pump Control is enabled but not responding to commands.
<b>WChem Brd Fail</b>	When equipped, Chemistry board is enabled but not responding to commands.
<b>Diff Sw Closed</b>	Control is sensing Differential pressure switch closed when Fan is not commanded.
<b>Diff Sw Open</b>	Fan is commanded for 10-seconds without differential switch closing.
<b>Internal Fault or EEPROM Fault</b>	Memory fault. Reset setpoints or replace board if fault does not clear.
<b>Clock/Fireman Sw</b>	Time clock/fireman switch circuit is open.
<b>Low Temp Lockout</b>	Water temperature is below 36°F (2°C).
<b>Low Voltage</b>	Controller is receiving supply voltage below 17 VAC.

**Table P. Heater Status Messages - Active Faults**

The following conditions are displayed only while there is a demand for heat present.

Display	Condition
<b>Flame Lost</b>	Flame was not detected.
<b>Water Sw Open</b>	Water pressure switch open.
<b>Vent Sw Open</b>	Vent switch #1 open.
<b>Hi Limit 1 Fault</b>	High-Temp. limit 1 open. Press MODE key to remove lockout.
<b>Hi Limit 2 Fault</b>	High-Temp. limit 2 open. Press MODE key to remove lockout.
<b>Cabinet Temp Lm</b>	Cabinet Temp. limit open.
<b>Air SW Open</b>	Air pressure switch open.
<b>Fan Lockout</b>	3 air switch faults within same heat demand cycle. Power must be cycled to clear the fault.
<b>Diff Sw Fault</b>	Differential Pressure switch failed open.
<b>Ign Try Failure</b>	Unit failed to ignite on first or second try.
<b>Ign 60 min Delay</b>	Gas valve failed 3 times in single call-for-heat. Unit is locked out for 60-min.
<b>Ignition Lockout</b>	When available, Single-try ignition failed and Lockout. Power must be cycled to clear the fault.
<b>Flue Over Temp</b>	Flue temperature was higher than 390°F (199°C). Power must be cycled to clear the fault.
<b>Remote Wire Err</b>	While Remote mode is active, both Spa and Pool inputs are energized.
<b>Outlet Over Temp</b>	Outlet Temp was higher than 180°F (82.0°C).
<b>Low Flow Fault</b>	Low flow conditions are detected in the heater. Possible scaling.
<b>High Flow Fault</b>	High flow conditions are detected in the heater. Possible condensation.
<b>Flue Low Temp</b>	Flue temperature is below 175°F (79.5°C). Warning: Possible condensation.
<b>Flue Extreme Low</b>	Flue temperature is below 140°F (60 °C). Service required. Press MODE to remove lockout.
<b>Call Service</b>	Fan Lockout, Ignition Lockout or Flue Extreme Low Temperature occurred 3-times in 48-hours. Contact Service support.

**Table Q. Heater Status Messages - Demand for Heat**  
See Troubleshooting guides, on pages 48 and 49 for diagnosis.

**⚠ WARNING** The ability to properly perform service on this equipment requires certain expertise, mechanical skills, tools, and equipment. If you do not possess these, do not attempt to perform any service on this equipment other than those procedures recommended in this Manual.

APPROVED

## Activating the Remote

To activate or deactivate the remote function, press and hold the UP and DOWN arrow keys for 3 to 5 seconds.

The second line of the display will alternate even when the unit is off ("No Demand").

**NOTE:** When in remote operation, the keypad mode and temp buttons are disabled.

## Remote-Wired Control Installation and Operation

**⚠ CAUTION:** Before installing remote controls to the heaters, read the following: The Heater is remote-ready. The digital display shows the actual pool temperature, operating status, and service messages. See Figure 54. The touch keys on the control panel allows you to select the desired pool or spa temperature. It also indicates when a remote system is controlling the heater by displaying Remote in the display. When connecting the heater to a remote system, identify whether it is a two- or three-wire remote system. Select the appropriate instruction listed below to properly install the remote to the heater.

### Remote-Wired Operation Selector

The heaters are equipped with the ability to work with external remote controls. The supplied 3-pin remote wiring connector supplies power out to either a toggle switch or the switch contacts of a third-party remote. The remote works by either making or breaking the circuit created by the remote wiring. Typically, a remote does not supply power to the heater, it only provides a switching function to turn the heater On or Off. If your remote is supplying its own voltage to the heater, it will not work with this heater and may damage the digital circuit board.

For operation of the heater using the onboard thermostatic controls with a time clock see "Time Clock/Fireman's Switch" section on page 38.

### Off, SPA and POOL modes

OFF Water Temp 68F	OFF No Demand
SPA Set 90F Water Temp 68F	SPA Set 90F Heating
Pool Set 85F Water Temp 85F	Pool Set 85F No Demand

### REMOTE mode

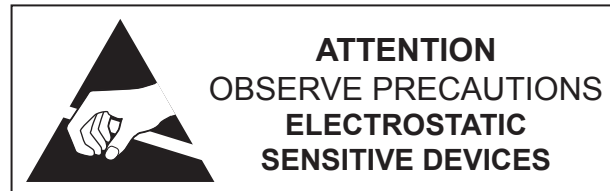
Remote OFF Water Temp 68F	Remote OFF No Demand
------------------------------	-------------------------

Figure 54. Operation Modes

Remote SPA 90F Water Temp 68F	Remote SPA 90F Heating
Remote Pool 85F Water Temp 85F	Remote Pool 85F No Demand

Figure 55. Remote Control Menu - Activation

### Remote Control Wiring



**⚠ CAUTION:** Electrostatic Discharge (ESD) damage can be caused by direct or indirect contact with the wiring or circuit board. When one walks to the heater area, an electrostatic charge accumulates on the body. Contact of a finger allows the body to discharge, possibly causing device damage. This damage can be limited if the service person discharges himself, following ESD preventive/removal practices, and holds on to the heater enclosure for 5-seconds before proceeding.

### Important Installation Notes for Remote or External Wiring Configuration:

- Remote wiring must be run in a separate conduit.
- Remote wiring must not be run parallel to high voltage lines.
- For runs of under 30' (9 m), remote wiring should have stranded conductors with a minimum of 22 AWG, 600V, cable twisting 1.5" to 2.5" (3.8 to 6.4 cm) lay and jacketed.
- For runs over 30' (9 m), the conductors should be a minimum of 20 AWG, 600V, cable twisting 1.5" to 2.5" (3.8 to 6.4 cm) lay that is shielded and jacketed.
- Maximum cable length is 200' (61 m).
- For both two- and three-wire remote systems, the provided 3-pin wiring connector must be utilized.

**NOTE:** The remote wires must be connected to the 3-pin connector before the connector is plugged into the board.

### 2-Wire Remote Control (On-Off)

This application assumes that only one heating function (pool or spa) is required.

1. Turn on power to the heater.
2. For a 2-Wire Remote Control from a remote without its own sensor, push the MODE key to the "POOL" or "SPA" mode and set the desired setpoint (e.g. 102°F (39°C) for Spa).
3. For a 2-Wire Remote Control from a remote with its own sensor, push the MODE key to select "POOL" or "SPA" mode and set the temperature to the highest setting available on the control. The actual setpoint will be controlled by the remote control.
4. Turn the MODE button to "OFF" and remove power from the heater.
5. On the "Remote Interface Harness", connect the BLUE wire to one side of the "REMOTE" switch and connect the other side to either the ORANGE/BLACK wire for "SPA" operation or the BLACK/ORANGE wire for "POOL" operation. See **Figure 57**.
6. Attach wire nut on the unused wire to the "Remote Interface Harness."
7. Install the "3-wire Remote Control Harness" to the P8 connector and turn power "ON" to the heater. See **Figure 57**.

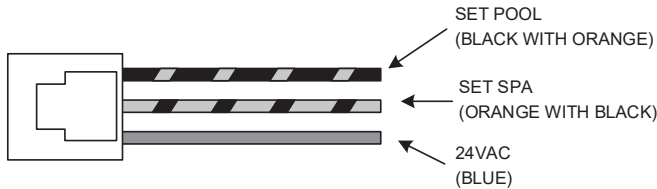


Figure 56. 3-Wire Remote Interface Harness

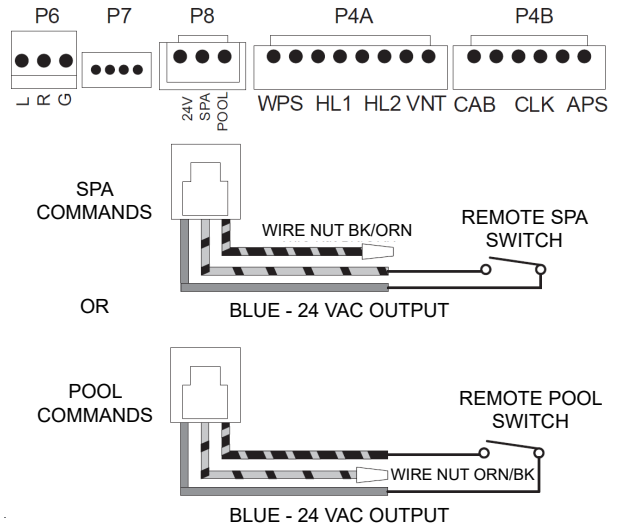


Figure 57. 2-Wire Remote Harness Installation

### 3-Wire Remote Control Using Three-Position Switch (Pool-Off-Spa, or Low-Off-High)

This application assumes that both heating functions (pool and spa) are required.

1. Turn on power to the heater.
2. Push the MODE key to the "POOL" or "SPA" mode and set the desired temperature for each (e.g. 80°F (27°C) for Pool and 102°F (39°C) for Spa).
3. Turn the MODE key to "OFF" and remove power from the heater.
4. On the "Remote Interface Harness" connect the BLUE wire to one side of the "REMOTE" switch and connect the ORANGE/BLACK wire for "SPA" operation and the BLACK/ORANGE wire for the "POOL" operation. See **Figure 57**.
5. Install the "Remote Interface Harness" to the P8 connector and turn power ON to the heater. See **Figure 58**.

For activation of the remote control, see "Activating the Remote" on page 36.

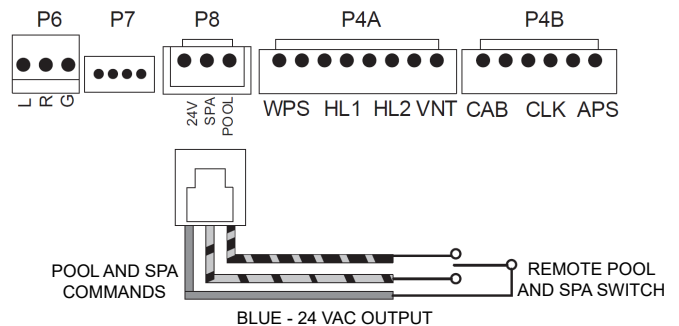


Figure 58. 3-Wire Remote Harness Installation

## Time Clock/Fireman's Switch

To operate the heater with a time clock, connect the timer to the clock/fireman's switch connection in the heater's wiring.

The time clock should be of the dual-switch type and set to "shutoff the call-for-heat" to the pool heater 15 to 20 minutes prior to shutting down the pool pump.

The fireman's switch connection is located at the power junction box. Splice into the Purple wire jumper tagged "Where necessary" add "Fireman's switch circuit here" to connect the time clock. See **Figure 59**.

**The fireman's switch connection must be a dry contact and must not supply power to the heater. Powering the fireman's switch connection externally may damage the heater, and is not covered by warranty.**

Do not exceed 50' (15 m) of total wiring using 18 AWG stranded copper wire rated for 221°F (105°C) minimum.

**NOTE: When using a time clock, the heater will display "Clock/Fireman Sw" when the fireman's switch is open, indicating that the time clock has shutoff the call-for-heat.**

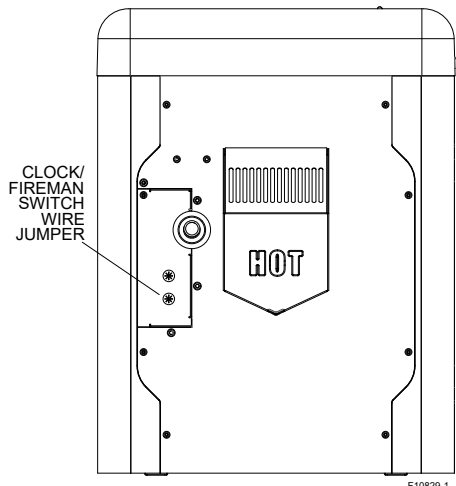


Figure 59. Clock/Fireman Switch Wire location

## Water Pressure Switch

The water pressure switch ensures that the heater operates only when the filter pump is in operation. It is located on the In/Out header. It is factory-set at 1.75 PSI for deck level installation.

### Water Pressure Switch Adjustment

When the heater is located below the level of the spa or pool, it may be necessary to adjust the pressure switch to compensate for the no-flow static head. If it is necessary to adjust the water pressure switch, do the following:

### APPROVED

1. Make sure the pool filter is clean before adjusting the switch.
2. Set the heater control to the OFF mode.
3. Turn the filter pump ON and confirm that the pressure switch is closed (use a multimeter to check). If the pressure switch fails to close, either the switch setting is too high or not enough pressure is being supplied by the filter pump.
4. Turn the heater ON.
5. Manually turn the pressure adjustment knob clockwise until the heater shuts off. (A flat screwdriver may be necessary if knob is too tight.)
6. Slowly turn the adjustment knob counter-clockwise until the heater calls for heat again.
7. Turn an additional 1/2 turn counter-clockwise.
8. While the heater is running, check the adjustment by turning the pump off and on several times. The burners should shut off immediately when the pump is turned off. If it does not, repeat the above steps until proper operation is observed.

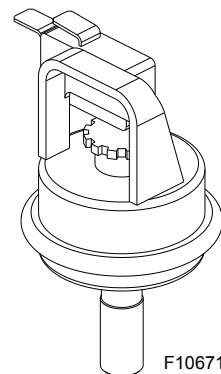


Figure 60. Water Pressure Switch Assembly

**NOTE: The sheet metal access panels should be in place at all times to protect the water pressure switch from rain and other environmental factors.**

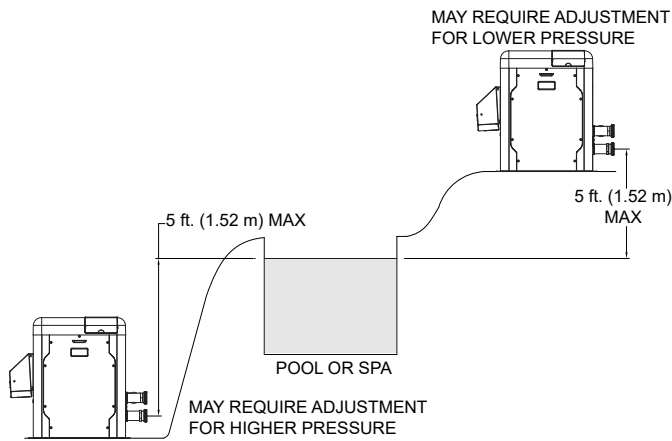


**APPROVED**

**High Limits**

The heater is equipped with two high limits, both are automatic and are located in the inlet/outlet header. Although both limits are preset to auto-reset, the control board will request the operator to press "mode" if either limit is tripped while the heater is running.

**NOTE:** An erratic high limit is often characteristic of an internal heat exchanger problem, e.g. scale build-up, or defective bypass. Refer to "Troubleshooting" on page 47.



**Figure 61. Pressure Switch Adjustment Requirements**

**NOTE:** If heater is installed outside of the limits shown, a higher-pressure rated (11 psi / 76 kPa) switch may be used. A flow switch, mounted and wired adjacent to the heater, may be used in place of the factory-mounted pressure switch. See "Illustrated Parts List" on page 66 for 11 psi / 76 kPa water pressure switch.

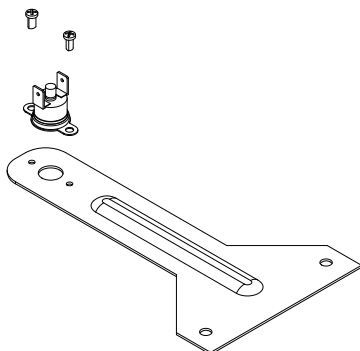
**Two-Speed Pumps**

In some cases, the flow on the low-speed is insufficient to operate the heater. This is apparent when the water pressure switch cannot be further adjusted or if the heater makes banging noises or shuts off on high limit. In these cases, the pump must be run at high speed when heating the water.

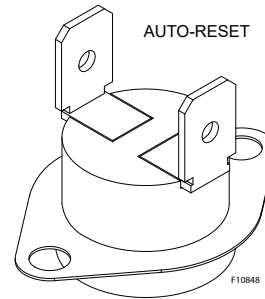
**CAUTION:** Do not operate the heater without the function of a properly-adjusted water pressure switch or flow switch.

**Cabinet Limit Switch**

Heaters are equipped with a cabinet limit switch to prevent the overheating of the components inside the cabinet in case of any flue gas leakage from combustion chamber. It is a "manual-reset" type switch that must be reset by the service technician after making sure any leaks or damage to the unit has been fixed.



**Figure 62. Cabinet Limit Switch – Manual-Reset**



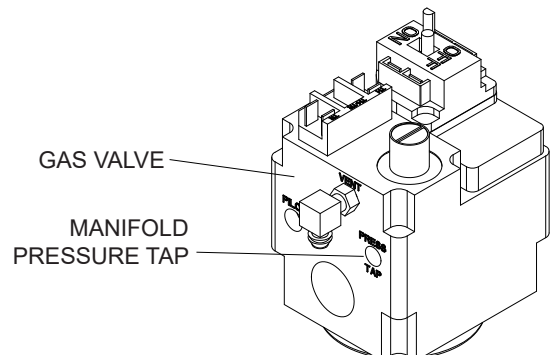
**Figure 63. High Limit Switch**

**High Limit Removal**

1. Shut off main electrical power switch to heater.
2. Remove inlet/outlet sheet metal access panel.
3. Remove defective high limit and replace with the correct, new high limit.
4. Replace access panel.

**Adjusting Valve Manifold Pressure**

1. Remove the cap to gain access to the adjustment screw.
2. Turn the adjustment screw clockwise to increase pressure. (For example, at -0.6" WC turning clockwise will increase the pressure to -0.5" WC, -0.4" WC, etc.)
3. The manifold pressure should be negative -0.30 "WC (+/- 0.20 "WC) while running. If a combustion analyzer is available, the O2 reading should be between 4.5 - 5.5% O2 while running.
4. Install the cap before reading the manifold pressure.

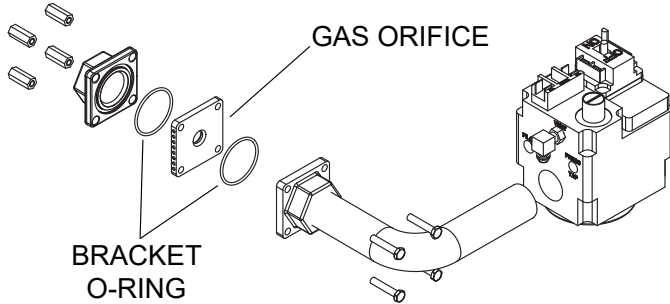


**Figure 64. Manifold Pressure Adjustment**

**APPROVED**

**Orifice Removal**

1. Locate and close the external manual shutoff valve.
2. Loosen the external gas union.
3. Locate and remove jacket top.
4. Locate and remove the four (4) bolts & nuts holding the gas orifice in place. See **Figure 65**.
5. Carefully remove the gas orifice and do not misplace the O-rings attached to the flanges.
6. Inspect and/or replace the orifice with the correct size.



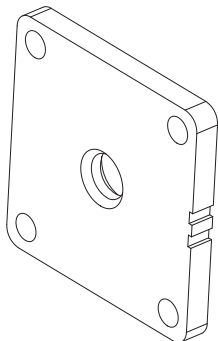
**Figure 65. Orifice Location**

**Gas and Orifice Selection**

The gas orifice and the air orifice **MUST** match to attain the correct air/fuel ratio. The orifices are matched when the number of pockets on the side of the gas orifice is the same as the number of notches on the edge of the air orifice. The orifice selection is based on elevation, not on the fuel used. See **Table R**.

The gas orifice is located on the gas train, between the gas valve and the combustion blower. The air orifice is located on the inlet side of the combustion blower.

**NOTE: Gas orifices for propane gas have a black oxide finish.**



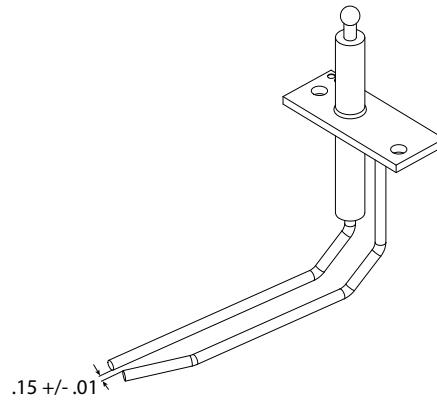
**Figure 66. Gas Orifice**

Pockets / Notches	Model	Gas Type	Finish
1	264	Natural	None
2	404		
1	264	Propane	Black
2	404		

**Table R. Orifice Usage**

**Igniter Removal.**

1. Remove top cover.
2. Disconnect spark cable from igniter.
3. Use M10 socket, remove the two nuts holding the igniter.
4. Carefully remove igniter and gasket.
5. When replacing igniter, be sure to add a new gasket when installing igniter.



**Figure 67. Igniter**

**Burner Removal**

1. See “Combustion Blower Removal” steps below. Must remove blower to reach the burner.
2. Once the blower is removed. Use an M10 socket to remove (16) nuts holding down the burner.
3. Be sure to install a new gasket before installing the burner.

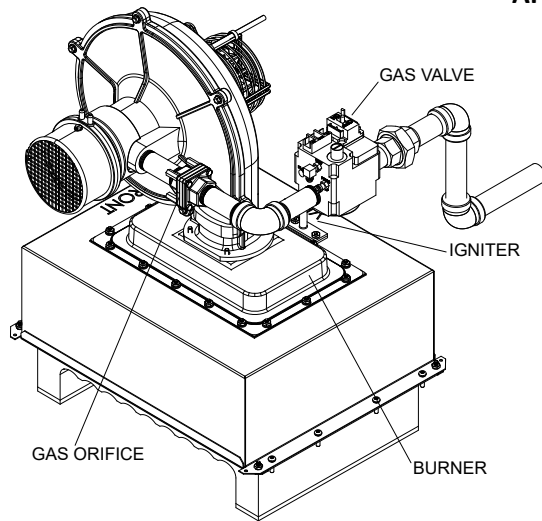


Figure 68. Burner/Gas Train

### Combustion Blower Removal

1. Shut off main electrical power switch to heater.
2. Shut off gas upstream of heater.
3. Remove top cover.
4. Disconnect gas line from gas valve by unscrewing union fitting along the gas train.
5. Disconnect the supply power connector from the blower.
6. Disconnect 24V power leads from gas valve.
7. Remove suction hoses from the venturi and blower.
8. Use M10 socket to remove (4) nuts from base of the blower. Then lift and remove blower.

### Gas Valve Removal

1. Shut off gas supply to heater.
2. Remove top cover.
3. Unscrew the union fitting on gas train.
4. Remove the 24V power leads from the gas valve.
5. Remove tracking hose from the gas valve to the venturi.
6. Use a pipe wrench to hold the other end of the gas train (pipe connected to blower), while using another pipe wrench to torque the gas valve counterclockwise and remove from assembly. Alternatively, you can remove the gas orifice flange to access the valve gas train.

### Heat Exchanger Removal

1. Shut off water, gas, and power to unit. Release any pressure in water lines. Then remove water connections to heater.

APPROVED

2. Remove top cover. Disconnect power leads from rocker switch along with the cable attached to the user interface. Then set cover aside. (\*It will be easier to work on heater with the cover totally removed but might not be necessary\*).
3. Perform the steps in "Combustion Blower Removal".
4. Use Philips head screwdriver to remove screws from all jacket panels.
5. Use a Philips head screwdriver to remove (8) machine screws along the side of the combustion chamber (there are 4 on each side), and the two (2) sheet metal pieces that hold the combustion box to the side panels.
6. Carefully lift top combustion chamber from the base and remove it from the heater.
7. Use 1/2" socket to remove (8) nuts from the side brackets that hold the heat exchanger onto the base (there are 2 nuts per bracket).
8. Use a crescent wrench to remove the (2) water temperature sensors on the side of the main header.
9. Remove the (4) wire leads connected to the high limit switches.
10. Lift the heat exchanger and remove from unit.

### Tube Cleaning Procedure

Establish a regular inspection schedule, the frequency depending on the local water conditions and the severity of service. Do not let the tubes clog up solidly. Clean out deposits over 1/16" (1.6 mm) in thickness.

The heater may be cleaned from the return header side, without breaking pipe connections. It is preferable, however, to remove both headers for better visibility through the tubes and to be sure the ground-up lime dust does not get into the system.

After reaming, mount the wire brush in place of the auger and clean out debris remaining in the tubes.

Another method is to remove the heat exchanger, ream tubes and immerse heat exchanger in non-inhibited de-scale solvent for severe scale build-up.

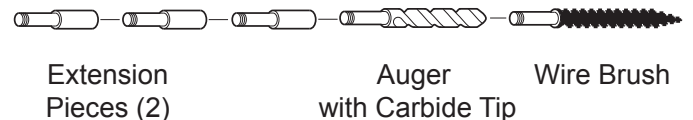


Figure 69. De-Liming Cleaning Kit (#052871F)

### Desooting Procedure

**WARNING: Soot Is Combustible. Exercise Extreme Care.**

Soot will clog areas between fins and cause eventual tube failure. Any sign of soot at the base of the burners or around the outer jacket indicates a need for cleaning.

APPROVED

1. Follow the heat exchanger removal process as shown in "Heat Exchanger Removal" section.
2. The heat exchanger has a baffle on the sides, or the bottom, depending on the model size, which has to be removed.
3. Remove the heat exchanger from the unit and wash with a garden hose, making sure soot is removed from the spaces between the fins.
4. Reverse the heat exchanger removal procedure to reinstall.

**NOTE:** In extreme cases it may be necessary to do steam cleaning at the local car wash. DO NOT WIRE BRUSH.

## Heat Exchanger Reinstall

It is highly recommended to replace the top combustion chamber with the refractory during the heat exchanger reinstallation process. Failing to do so can result in damage to the heater and potential dangerous operating conditions. See **Figure 70**.

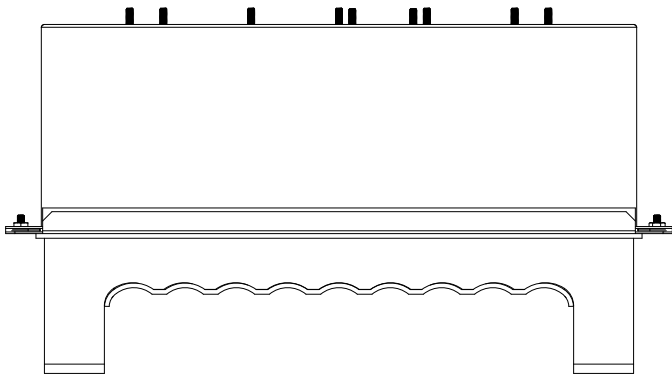


Figure 70. Top Combustion Chamber

## Unitherm Governor (U.G.) Replacement

1. Shut off water, gas and electricity, close valves and relieve pressure.
2. Drain heat exchanger.
3. Remove retainer plug located next to the outlet pipe connection.
4. Unsnap old U.G. to remove from retainer plug. Snap in new U.G.
5. Reinstall retainer plug, taking care to lubricate gasket with a non-petroleum based grease such as AquaLube.

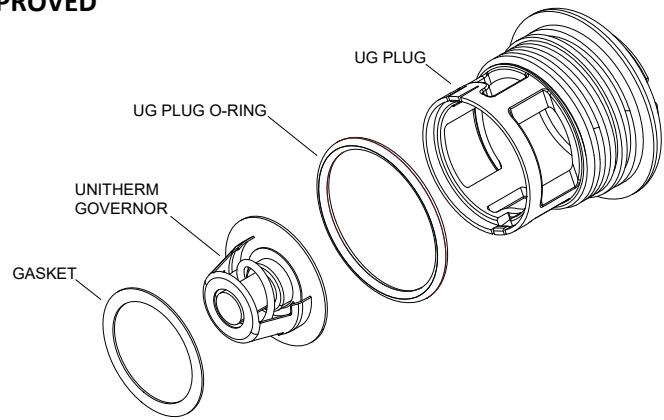


Figure 71. Unitherm Governor

To test the operation of the Unitherm Governor, place in hot water over 120°F (49°C), and watch for movement against spring. If there is no movement, replace the UG.

**WARNING:** When removing the burners or heat exchangers, take precautions to avoid creating airborne dust and avoid inhaling airborne fibers. When cleaning spills, use wet sweeping or High Efficiency Particulate Air (HEPA) filtered vacuum to minimize airborne dust. Use feasible engineering controls such as local exhaust ventilation or dust collecting systems to minimize airborne dust. Wear appropriate personal protective equipment including gloves, safety glasses with side shields, and appropriate NIOSH-certified respiratory protection, to avoid inhalation of airborne dust and airborne fiber particles.

## 8. OPERATING INSTRUCTIONS

### Before Start-Up

#### Burners

Keep heater area clear and free from combustibles, flammable liquids and chemicals. Do not obstruct the flow of combustion and ventilation air.

#### Water

Water must be flowing through the heater during operation. Ensure that the system is filled with water and that the pump is operating. The heater should always have a minimum of 40 GPM (151 lpm) water flowing through it.

### Start-Up Procedures

Your pool/spa heater has been designed for years of safe and reliable pool/spa water heating. It is available with electronic ignition only. This manual provides installation, operation, maintenance, and service information for these heaters.

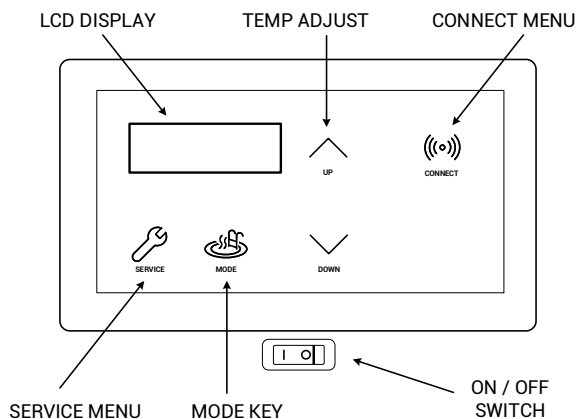


Figure 72. Heater Control Toggle Switch

If your heater has been installed correctly, operating the heater is an easy task. The upper front panel of the heater contains the control center that allows you to turn the heater On or Off and adjust the temperature settings for the pool or spa. The temperature range is factory-set from 65°F (18°C) to 104°F (40°C). See **Figure 72** for location of toggle switch to turn the heater On and Off.

See "**Controls**" section on page 27 for additional details about the use of the controls in the Control Adjustments subsection.

### After Start-Up

Feel the inlet and outlet pipes. Outlet pipe should be only slightly warmer than the inlet. It should not be hot.

**⚠ WARNING:** Should overheating occur or the gas supply fail to shut off, turn off the manual gas control to the appliance.

**⚠ AVERTISSEMENT:** En cas de surchauffe ou si l'alimentation en gaz ne s'arrete pas, fermez manueiement ie robinet d'arret de l'admission de gaz.

### Water Pressure Switch

A water pressure switch is provided in the heater to shut off the burners in the event that water supply is interrupted. It is very important to verify that the switch electrically opens and shuts off the gas valve when water flow to the heater is interrupted. Otherwise, rapid and severe damage will likely occur to the heater.

The water pressure switch should be checked and adjusted for proper operation by a qualified service person at the time of installation and periodically checked thereafter. Refer to "**Water Pressure Switch Adjustment**" on page 38.

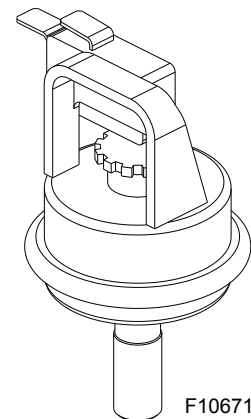


Figure 73. Water Pressure Switch

**⚠ WARNING:** Operation of the heater without water circulation will cause rapid and severe damage to the heater, which will not be covered under warranty.

**APPROVED**  
**OPERATING INSTRUCTIONS AND SHUTOFF PROCEDURES DIRECT IGNITION SYSTEMS**

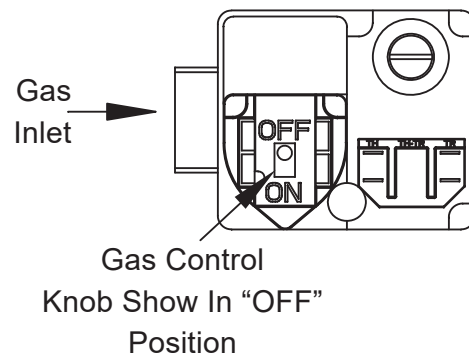
**FOR YOUR SAFETY READ BEFORE LIGHTING**

**▲ WARNING:** If you do not follow these instructions exactly, a fire or explosion may result causing property damage, personal injury or loss of life.

- A. This appliance does not have a pilot. It is equipped with an ignition device which automatically lights the burner. **DO NOT** try to light the burner by hand.
- B. **BEFORE OPERATING** smell all around the appliance area for gas. Be sure to smell next to the floor because some gas is heavier than air and will settle on the floor.
- WHAT TO DO IF YOU SMELL GAS:
- Do not try to light any appliance.
  - Do not touch any electric switch; do not use any phone in your building.
  - Immediately call your gas supplier from a neighbor's phone. Follow the gas supplier's instructions.
  - If you cannot reach your gas supplier, call the fire department.
- C. Use only your hand to turn the gas control ON or OFF. Never use tools. If you cannot change the ON/OFF setting by hand, do not try to repair it, call a qualified service technician. Force or attempted repair may result in a fire or explosion.
- D. Do not use this appliance if any part has been under water. Immediately call a qualified service technician to inspect the appliance and to replace any part of the control system and any gas control which has been under water.

**LIGHTING INSTRUCTIONS**

1. **STOP!** Read the safety information above on this label.
2. Set the thermostat to the lowest settings.
3. Turn off all electric power to the appliance.
4. This appliance does not have a pilot. It is equipped with an ignition device which automatically lights the burner. **Do not try to light the burner by hand.**
5. Remove the heater's top panel.
6. Pull toggle style switch away from you to turn gas "OFF".
7. Wait five (5) minutes to clear out any gas. Then smell for gas, including near the floor. If you smell gas **STOP!** Follow "B" in the safety information above on this label. If you don't smell gas, go to the next step.
8. Push the toggle switch towards you to turn the gas "ON".
9. Replace heater door panel.
10. Turn on all electric power to the appliance.
11. Set thermostat to desired setting.
12. If the appliance will not operate, follow the instructions "To Turn Off Gas To Appliance" and call your service technician or gas supplier.



**TO TURN OFF GAS TO APPLIANCE**

1. Set the thermostat at the lowest setting.
2. Turn off all the electrical power to the appliance if service is to be performed.
3. Remove the heater's top panel.
4. Pull toggle style switch away from you to turn gas "OFF".
5. Replace heater door panel.



APPROVED  
INSTRUCTIONS D'UTILISATION ET PROCÉDURES D'ARRÊT  
MODÈLES NUMÉRIQUES À ALLUMAGE ÉLECTRONIQUE  
SYSTÈME D'ALLUMAGE DIRECT

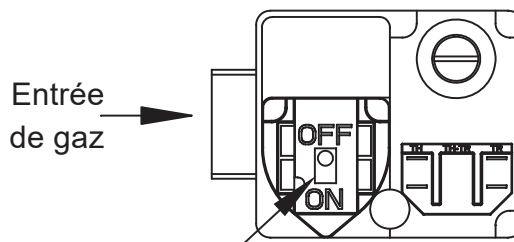
**POUR VOTRE SÉCURITÉ LISEZ AVANT DE METTRE EN MARCHÉ**

**AVERTISSEMENT:** Quiconque ne respecte pas à la lettre les instructions dans la présente notice risque de déclencher un incendie ou une explosion entraînant des dommages, des blessures ou la mort.

- A. Cet appareil ne comporte pas de veilleuse. Il est muni d'un dispositif d'allumage qui allume automatiquement le brûleur. Ne tentez pas d'allumer le brûleur manuellement.
- B. AVANT DE FAIRE FONCTIONNER, reniflez tout autour de l'appareil pour déceler une odeur de gaz. Reniflez près du plancher, car certains gaz sont plus lourds que l'air et peuvent accumuler au niveau du sol.  
  
QUE FAIRE SI VOUS SENTEZ UNE ODEUR DE GAZ:
  - Ne pas tenter d'allumer d'appareil. Ne touchez à aucun interrupteur; ne pas vous servir des téléphones se trouvant dans le bâtiment.
- C. Ne poussez ou tournez la manette d'admission du gaz qu'à la main; ne jamais utiliser d'outil. Si la manette reste coincée, ne pas tenter de la réparer; appelez un technicien qualifié. Le fait de forcer la manette ou de la réparer peut déclencher une explosion ou un incendie.
- D. N'utilisez pas cet appareil s'il a été plongé dans l'eau, même partiellement. Faites inspecter l'appareil par un technicien qualifié et remplacez toute partie du système de contrôle et toute commande qui ont été plongés dans l'eau.

**INSTRUCTIONS DE MISE EN MARCHÉ**

1. ARRETEZ! Lisez les instructions de sécurité sur la portion supérieure (à gauche) de cette étiquette.
2. Réglez le thermostat à la température la plus basse.
3. Coupez l'alimentation électrique de l'appareil.
4. Cet appareil ne comporte pas de veilleuse, il est muni d'un dispositif d'allumage qui allume automatiquement le brûleur. Ne tentez pas d'allumer le brûleur manuellement.
5. Retirez le panneau de porte du radiateur.
6. Tirez l'interrupteur à bascule loin de vous pour allumer le gaz "OFF".
7. Attendre cinq (5) minutes pour laisser échapper tout le gaz. Reniflez tout autour de l'appareil, y compris près du plancher, pour déceler une odeur de gaz. Si vous sentez une odeur de gaz, ARRETEZ! Passez à l'étape B des instructions de sécurité sur la portion supérieure (à gauche) de cette étiquette. S'il n'y a pas d'odeur de gaz, passez à l'étape suivante.
8. Poussez l'interrupteur à bascule vers vous pour tourner le gaz "ON".
9. Remplacez le panneau de porte du radiateur.
10. Mettez l'appareil sous tension.
11. Réglez le thermostat à la température.
12. Si l'appareil ne se met pas en marche, suivez les instructions intitulées "Comment couper l'admission de gaz de l'appareil" et appelez un technicien qualifié ou le fournisseur de gaz.



Le bouton de contrôle du gaz montre en position "OFF"

**COMMENT COUPER L'ADMISSION DE GAZ DE L'APPAREIL**

1. Réglez le thermostat au réglage le plus bas.
2. Coupez toute l'alimentation électrique de l'appareil si le service doit être effectué.
3. Retirez le panneau de porte du radiateur.
4. Tirez l'interrupteur à bascule loin de vous pour tourner le gaz "DÉSACTIVÉ".
5. Remplacez le panneau de porte du radiateur.

## 9. MAINTENANCE AND CARE

**⚠ WARNING:** Check the heater for possible rodent nests after long periods of non-use.

Perform the following maintenance operations one year after initial start-up and then semi-annually.

1. Inspect and operate all controls, gas valve and pressure relief valve (if equipped).
2. On indoor heaters, clean room intake openings to ensure adequate flow of combustion and ventilation air.

**⚠ CAUTION:** Combustion air must not be contaminated by corrosive chemical fumes which can damage the heater. Such damage will not be covered under warranty.

3. Keep area around heater clear and free from combustible materials, gasoline and other flammable and corrosive vapors and liquids.

### If Heater Will Not Fire:

If you have no electrical power, it may be that your "circuit breaker" has tripped. Try re-setting it.

If you have electrical power but the heater will not fire check the following or see "**Troubleshooting**" on page 47:

1. The time clock must be in the ON position.
2. Your pump strainer basket may be full. If so, remove debris.
3. Your filter may be dirty. If so, backwash or clean filter. (To tell if your filter is dirty, look to see if the filter pressure reading is higher than usual).
4. The pump may have lost its prime and be running dry. Check the pressure on the filter. If there is no pressure; then you are not moving water (or your gauge is broken). Try to get the pump to run at its normal flow rate.

## Cold Weather Operation

### Important Freeze Information

**MODERATE CLIMATE:** Heater operation can continue during short-term cold spells. When temperatures are between 0°F (-18°C) and 32°F (0°C), flow (continuous pump operation) must be maintained.

**⚠ CAUTION:** Do not use the heater to maintain water temperatures just above freezing or for freeze protection. When heater is used during freezing weather, care must be taken to avoid freeze-ups. Continuous pump operation is a must. Additional protection may be required. The heater is not warranted against freeze-ups.

**APPROVED COLD CLIMATE:** Prolonged operation with water temperatures below 50°F (10°C) is not recommended. When starting the heater with water temperatures below 50°F (10°C), operate the heater continuously until higher temperatures are reached. Operating the heater for prolonged periods with pool water below 50°F (10°C) can seriously damage the heater, and is not covered by the warranty. For cold climate areas, please follow the winterizing procedures listed below.

### Winterizing the Pool and Spa Heater

Heaters installed outdoors in freezing climate areas may be shut down for the winter. Observe the following procedure for winterizing the heater:

1. Turn off gas valve, manual gas valve, and electrical supply to the heater.
2. On the water connection, close any isolation valve to isolate the heater. Remove the lower right access panel to reveal the right side of the Inlet/Outlet header. The drain will be located underneath the header. Loosen and remove the drain plug. See **Figure 74**.

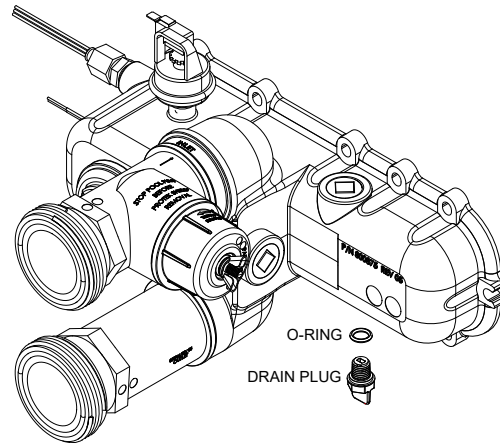


Figure 74. In/Out Header with Drain Plug

# 10. TROUBLESHOOTING APPROVED

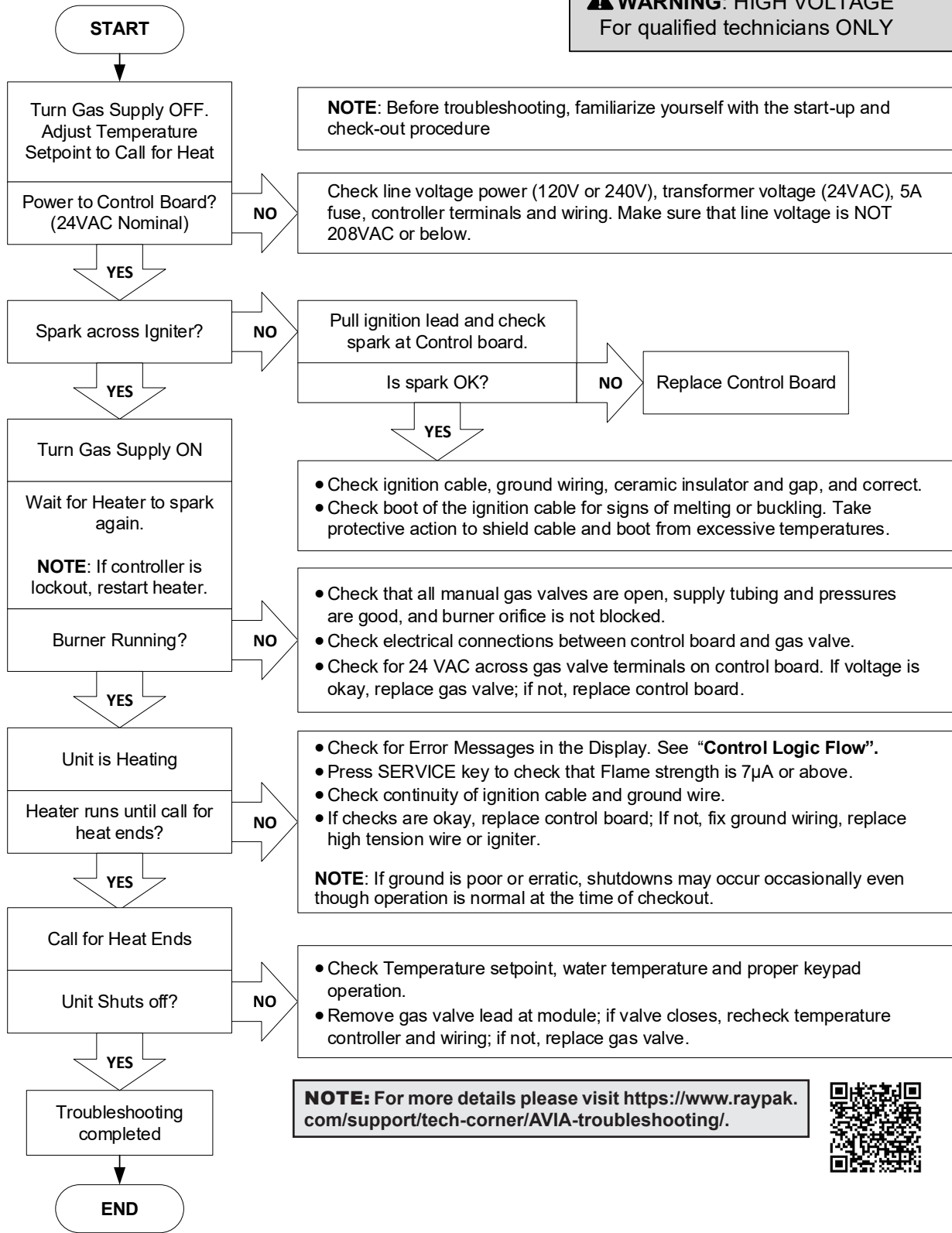
**IMPORTANT NOTICE:** These instructions are intended for the use of qualified personnel who are specifically trained and experienced in the installation of this type of heating equipment and related system components. Installation and service personnel may be required by some states to be licensed. Persons not qualified shall not attempt to install this equipment nor attempt repairs according to these instructions.

Problem	Possible Cause	Corrective Action
<b>Harmonics, or whining noise</b>	Unitherm governor inoperative.....	Check movement by putting in hot water (above 120°F [49°C] or higher)
	*Debris or restriction in system.....	Locate the restriction and remove. Flush system and clean
	*Debris in gas line.....	Remove debris or blow out gas line
	Low flow.....	Scale forming in heat exchanger - clean heat exchanger and check pool pH and total alkalinity
<b>Heater going on and off continuously</b>	Dirty filter .....	Clean or replace filter
	Low water level in pool .....	Raise water level
	External bypass setting out of adjustment.....	Adjust bypass
	Pressure switch out of adjustment.....	Adjust pressure switch
<b>Liming or scale forming in exchanger</b>	Pool water.....	See Water Chemistry on page 5
	Bypassing too much water .....	Inspect bypass for movement, if no movement, replace
	Unitherm governor not functioning .....	Replace if no movement when heated
<b>Sooting</b>	High flow rates.....	Reduce by adding manual bypass valve Adjust manual bypass valve until heater outlet water temp is between 105°F and 120°F (40°C and 49°C)
	Unitherm governor inoperative .....	Check movement by putting in hot water (above 120°F [49°C] or higher). If no movement, replace
	*Air starvation .....	Refer to installation instructions
	*Improper venting .....	Follow recommended installation instructions
	*Insects or debris clogging burner intake ports.....	Clean burners
<b>Takes too long to heat pool or spa</b>	Under-sized heater .....	Calculate heating capacity of heater $\frac{\text{Htr. output (BTUH)}}{\text{Pool gallonage} \times 8.33} = \text{approx. degF rise/hr}$ or refer to heater sizing chart This does not take into account heat loss due to weather
	Filter not running long enough.....	Reset time clock
	Dirty filter .....	Clean filter
	Gas line or meter undersized .....	Refer to installation instructions
<b>Leaking at heat exchanger</b>	Overacid .....	Replace heat exchanger and maintain proper water chemistry
<b>Gasket brittle and leaking - (overheated)</b>	Heater running after pump shuts off.....	See Pressure Switch Adjustment, See page 38.
	Refractory damage.....	Replace refractory
	Sooted heater .....	Determine cause of sooting and correct

\* Indicates symptom which usually occurs on initial start-up.

# APPROVED Operation and Troubleshooting - Flow Chart

**⚠ WARNING: HIGH VOLTAGE**  
For qualified technicians ONLY

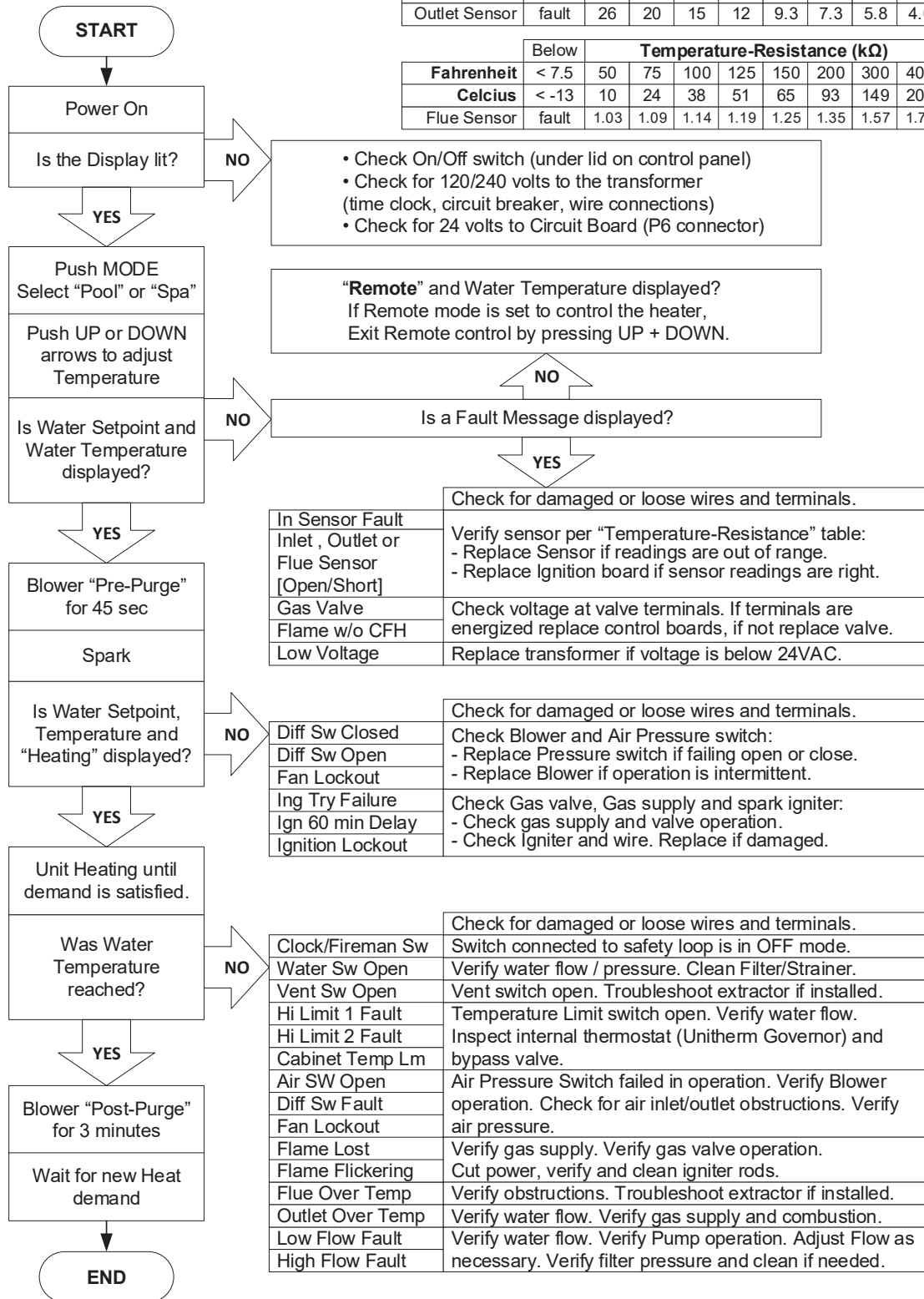


**NOTE: For more details please visit <https://www.raypak.com/support/tech-corner/AVIA-troubleshooting/>.**



# Control Logic - Flow Chart

## Control Logic – Flow Chart



	Below	Temperature-Resistance (kΩ)								Above
Fahrenheit	6.3	40	50	60	70	80	90	100	110	187
Celsius	-14	4	10	15	21	27	32	38	43	86
Inlet Sensor	fault	261	199	153	119	93	73	58	46	fault
Outlet Sensor	fault	26	20	15	12	9.3	7.3	5.8	4.6	fault

	Below	Temperature-Resistance (kΩ)								Above
Fahrenheit	< 7.5	50	75	100	125	150	200	300	400	464
Celsius	< -13	10	24	38	51	65	93	149	204	240
Flue Sensor	fault	1.03	1.09	1.14	1.19	1.25	1.35	1.57	1.77	fault

Check for damaged or loose wires and terminals.	
In Sensor Fault	Verify sensor per "Temperature-Resistance" table: - Replace Sensor if readings are out of range. - Replace Ignition board if sensor readings are right.
Inlet , Outlet or Flue Sensor [Open/Short]	
Gas Valve	Check voltage at valve terminals. If terminals are energized replace control boards, if not replace valve.
Flame w/o CFH	
Low Voltage	Replace transformer if voltage is below 24VAC.

Check for damaged or loose wires and terminals.	
Diff Sw Closed	Check Blower and Air Pressure switch: - Replace Pressure switch if failing open or close. - Replace Blower if operation is intermittent.
Diff Sw Open	
Fan Lockout	
Ing Try Failure	Check Gas valve, Gas supply and spark igniter: - Check gas supply and valve operation. - Check Igniter and wire. Replace if damaged.
Ign 60 min Delay	
Ignition Lockout	

Check for damaged or loose wires and terminals.	
Clock/Fireman Sw	Switch connected to safety loop is in OFF mode.
Water Sw Open	Verify water flow / pressure. Clean Filter/Strainer.
Vent Sw Open	Vent switch open. Troubleshoot extractor if installed.
Hi Limit 1 Fault	Temperature Limit switch open. Verify water flow.
Hi Limit 2 Fault	Inspect internal thermostat (Unitherm Governor) and bypass valve.
Cabinet Temp Lm	
Air SW Open	Air Pressure Switch failed in operation. Verify Blower operation. Check for air inlet/outlet obstructions. Verify air pressure.
Diff Sw Fault	
Fan Lockout	
Flame Lost	Verify gas supply. Verify gas valve operation.
Flame Flickering	Cut power, verify and clean igniter rods.
Flue Over Temp	Verify obstructions. Troubleshoot extractor if installed.
Outlet Over Temp	Verify water flow. Verify gas supply and combustion.
Low Flow Fault	Verify water flow. Verify Pump operation. Adjust Flow as necessary. Verify filter pressure and clean if needed.
High Flow Fault	

# 11. CONNECT TO WI-FI WITH RAYMOTE

Before initiating the provisioning process, make sure a reliable Wi-Fi access point is located near the unit or control room and a Wi-Fi network password is available.

Date: \_\_\_\_\_  
 Wi-Fi Network Name (SSID): \_\_\_\_\_  
 Wi-Fi Password: \_\_\_\_\_

## Raymote User Registration

Sign up from your mobile device with the Raymote App. Use your email to create a new account. You'll receive an email confirmation. See **Figure 75**.

**NOTE:** Check your email spam if you do not receive an email within 5-minutes in your inbox.

Use your email address as the Raymote user, then create a secure password. See **Figure 76**.

Once the user registration is complete, you can begin to add your AVIA heaters via the Raymote mobile app. See **Figure 81**.

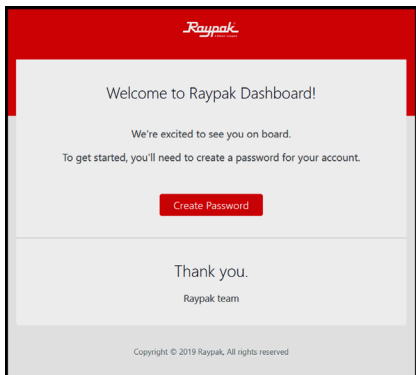


Figure 75. Welcome Raypak Dashboard

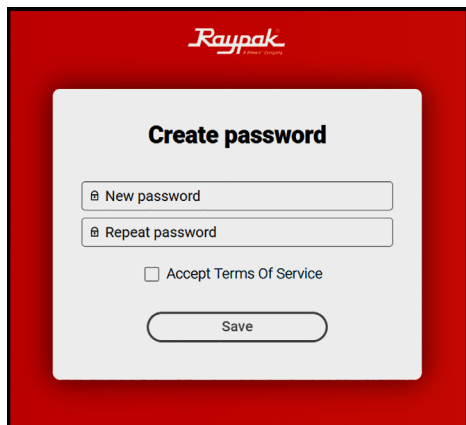


Figure 76. Create Password

## APPROVED

### Downloading the Raymote Mobile App

1. Download and install the Raymote mobile app from the Google Play ([Android](#)): or App Store ([iOS](#)): on your mobile device.
2. Find the Raymote mobile app icon on your device. See **Figure 77**.

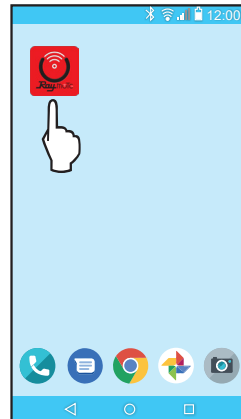


Figure 77. Find your Raymote Mobile App Icon

3. Open the Raymote mobile app and log in with your user name and password. See **Figure 78**.

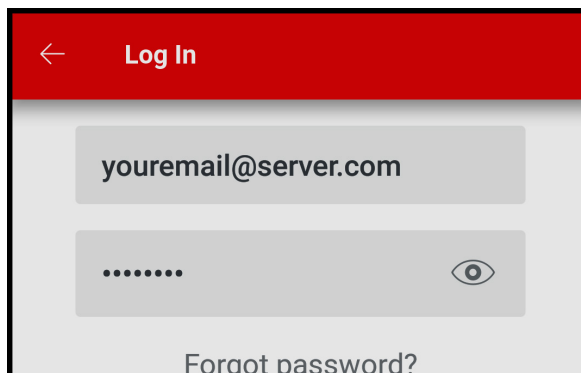


Figure 78. Log in the Raymote Mobile App

### Preparing the Unit for Connection

1. Stand near the display of the AVIA unit. Press the CONNECT key. See **Figure 79**.

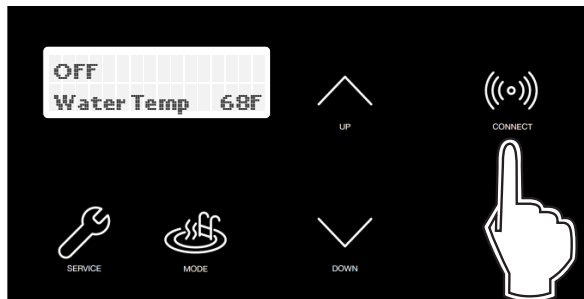
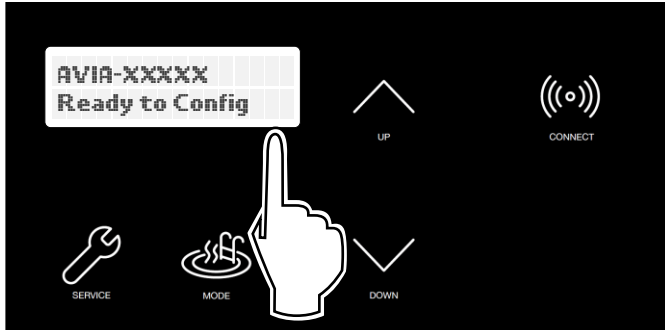



Figure 79. CONNECT Key



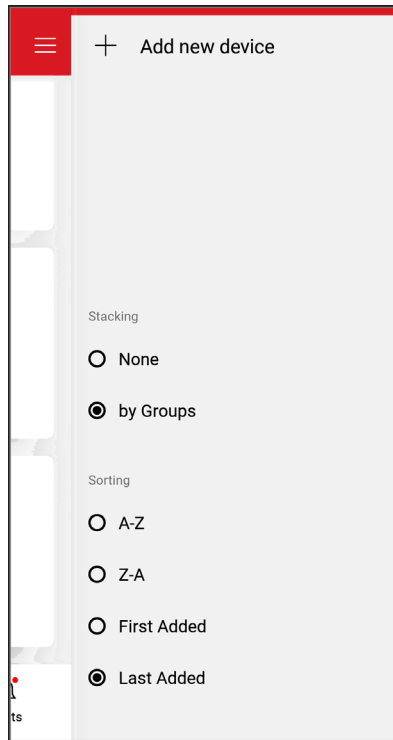
- The CONNECT menu should display the Wi-Fi State, indicating "Ready to Config" wireless connection, and also the HOTSPOT identifier. See **Figure 80**.



**Figure 80. Wi-Fi Ready to Configure and HOTSPOT Identifier**

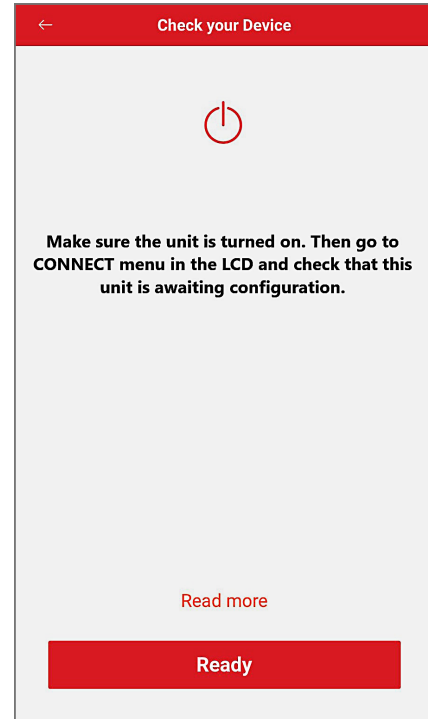
- At this point your unit is ready for connection.
- NOTE:** The following sections provide the instructions for Android and iPhone devices.
- In the Raymote app, press the menu button  located at the top left corner of the screen, then press "+ Add new device". See **Figure 81**.

### Add a New Device on your Android



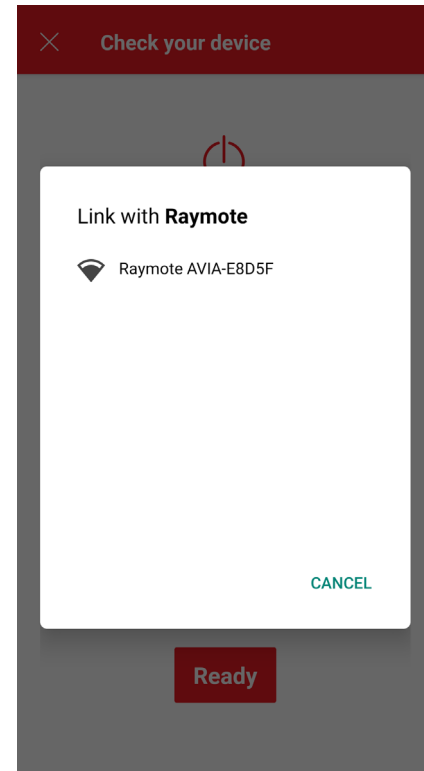
**Figure 81. Add New Device**

- "Check your Device" screen will appear. Ensure to have AVIA heater powered and Wi-Fi signal available in the area, then press "Ready" button. See **Figure 82**.



**Figure 82. Check your Device**

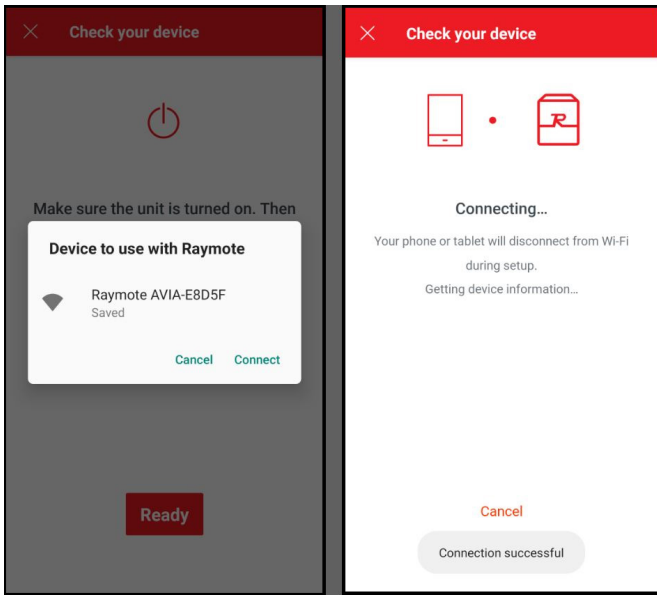
- Depending on your configuration, one or more devices will appear on the app. See **Figure 83**. Select the HOTSPOT identifier that matches the unit's display as shown in **Figure 83**.



**Figure 83. Link with Raymote**

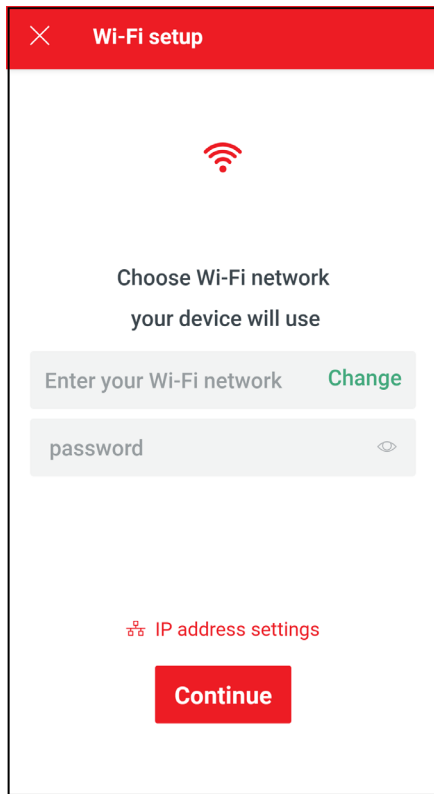
- 3. You may be prompted to confirm selected heater. Wait a few seconds while the Raymote app connects to your heater as shown in **Figure 84**.

**NOTE:** The first time you use a new phone, the Raymote mobile app will require you grant permission to access data. See **Figure 86**.

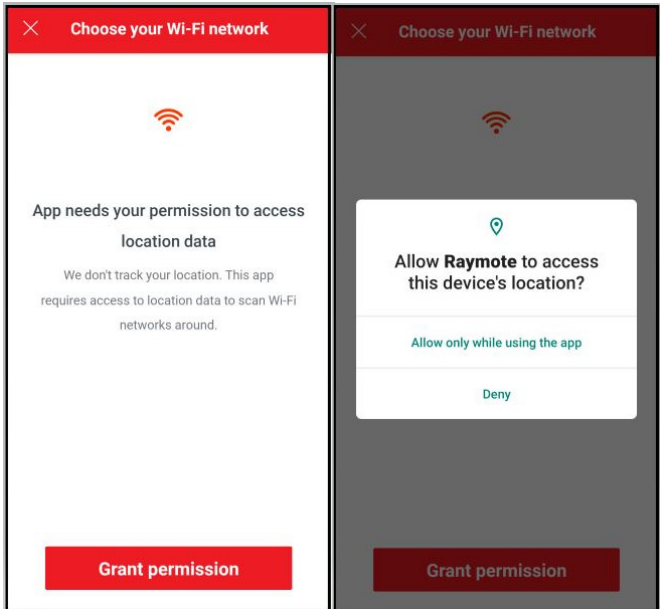


**Figure 84. Connecting**

- 4. The "Wi-Fi setup" screen will appear. Select or enter the Wi-Fi network you want your unit to be connected to and enter the network password. See **Figure 85**.

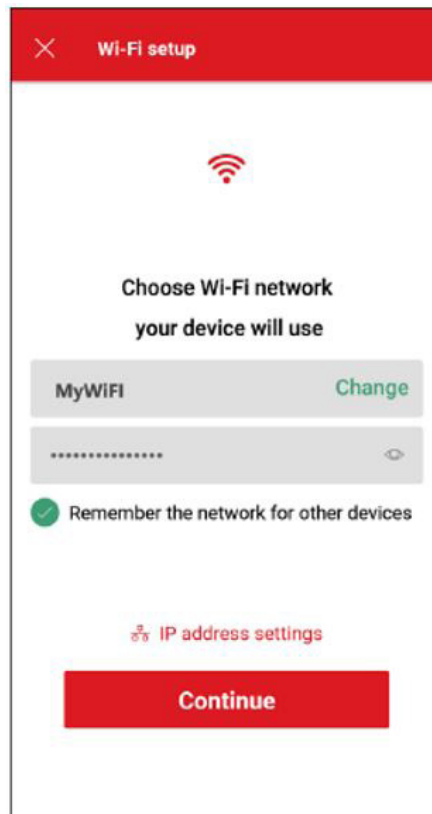


**Figure 85. Wi-Fi Setup**



**Figure 86. Grant Permission**

- 5. Press the "Continue" button and log into the Wi-Fi network.



**Figure 87. Choose Wi-Fi Network**

- 6. The Raymote mobile app will provide the Wi-Fi network credentials to your unit. See **Figure 88**.

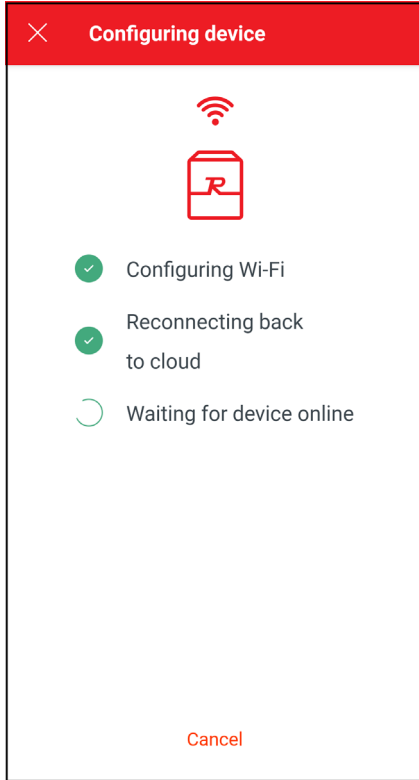


Figure 88. Configuring Device

- 2. Raymote app will start to scan nearby Heaters. Available heaters will be displayed.
- 3. Press "Join" to select the displayed heater or press "Cancel" to continue searching for another heater.

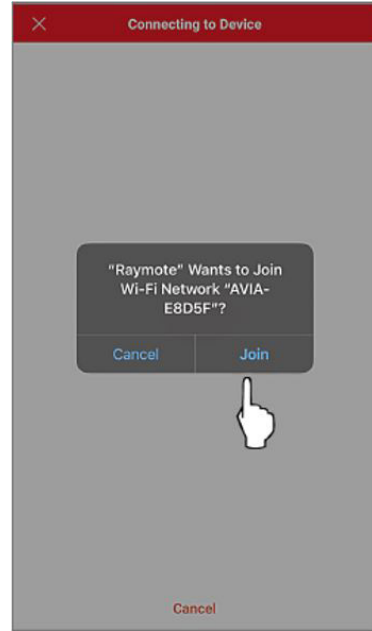


Figure 90. Connect to Device

**NOTE:** The first time you use a new phone, the Raymote mobile app will require you grant permission to access data. See Figure 91.

### Add a New Device on your iPhone

- 1. "Check your Device" screen will appear. Ensure to have AVIA heater powered and Wi-Fi signal available in the area, then press the "Ready" button.

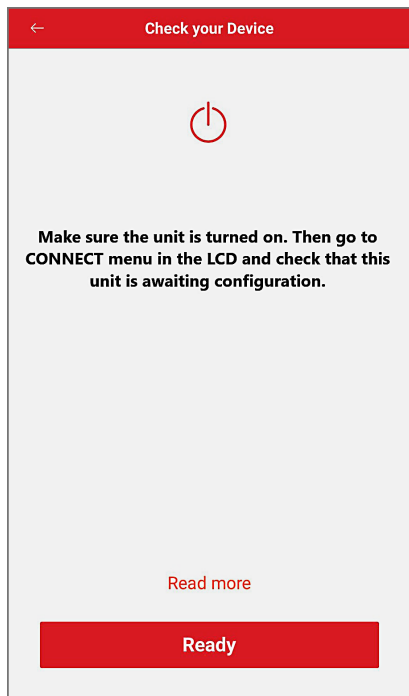


Figure 89. Check your Device

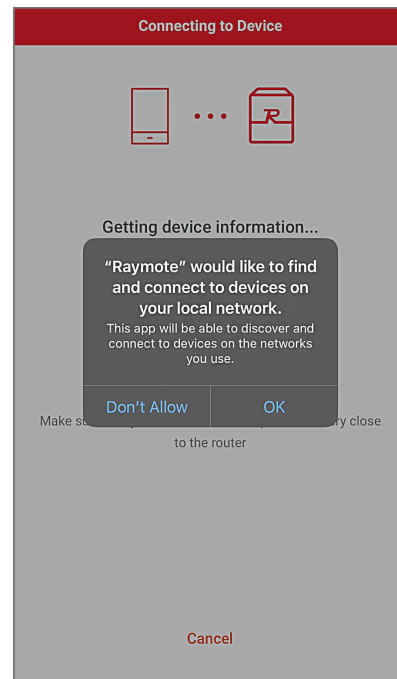


Figure 91. Grant Permission

- 4. The "Wi-Fi setup" screen will appear. Select or enter the Wi-Fi network you want your unit to be connected to and enter the network password. See **Figure 92**.
- 5. Press the "Continue" button.

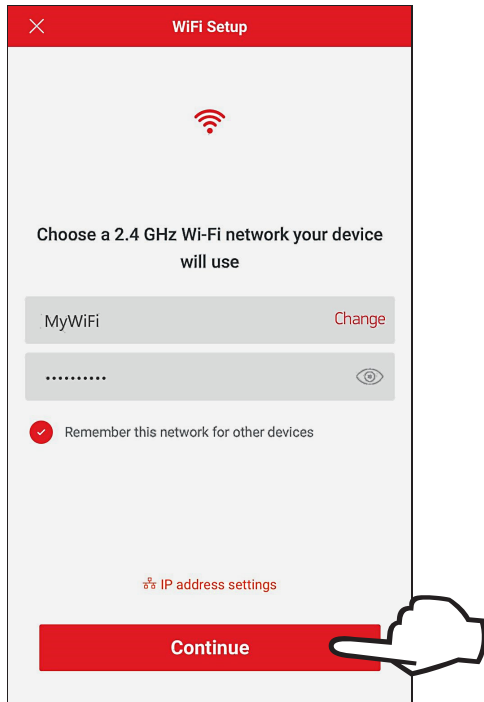


Figure 92. Wi-Fi Setup

APPROVED

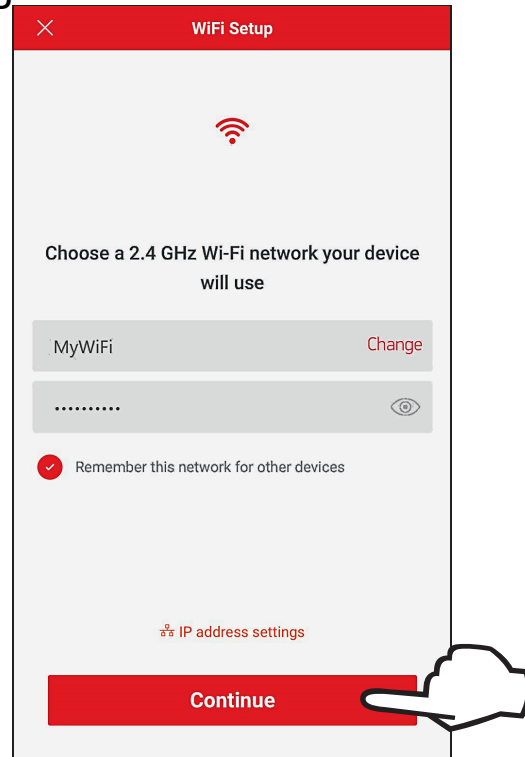


Figure 94. Wi-Fi Setup

6. The Raymote mobile app will provide the Wi-Fi network credentials to your unit. See Figure 93.

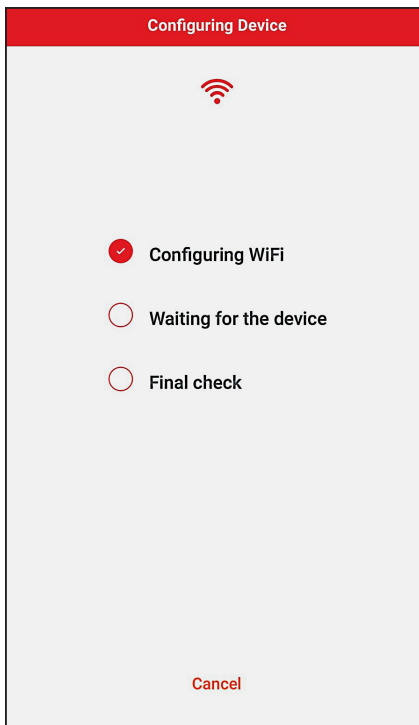


Figure 93. Configuring Device

3. "Check your Device" screen will appear. Ensure to have AVIA heater powered and Wi-Fi signal available in the area, then press the "Ready" button.

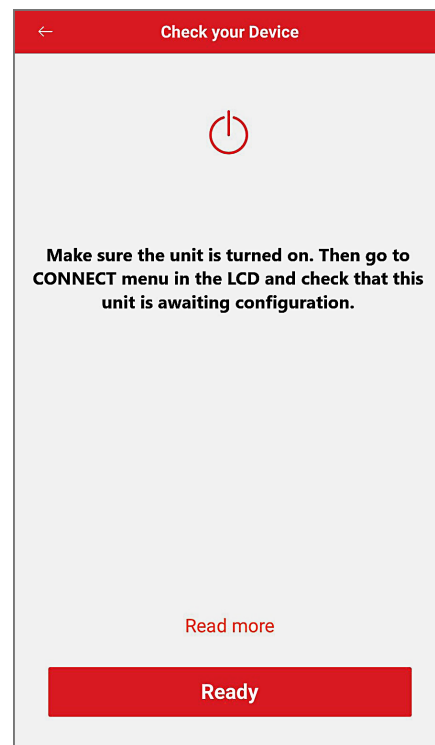


Figure 95. Check your Device

## For iPhone 6 and Earlier Versions

1. The "Wi-Fi setup" screen will appear. Select or enter the Wi-Fi network you want your unit to be connected to and enter the network password. See Figure 94.
2. Press the "Continue" button.

**NOTE:** The first time you use a new phone, the Raymote mobile app will require you grant permission to access data. See Figure 96.

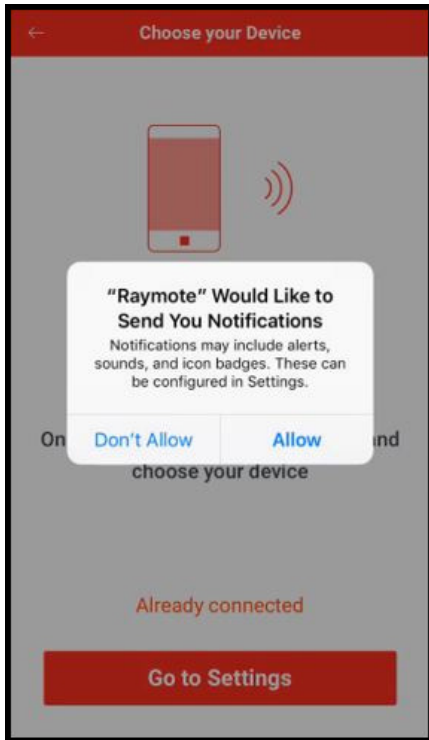


Figure 96. Grant Permission

- 4. Press the "Go to Settings" button on the "Choose your device" screen. See Figure 97.

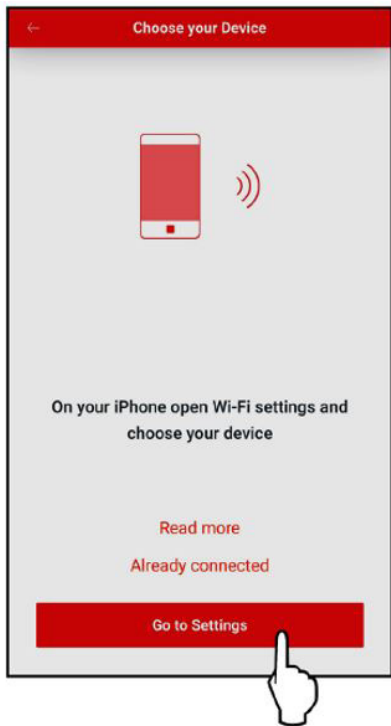


Figure 97. Go to Settings

- 5. On the top left corner of the screen, press the "Settings" button to go the Settings menu. See Figure 98.

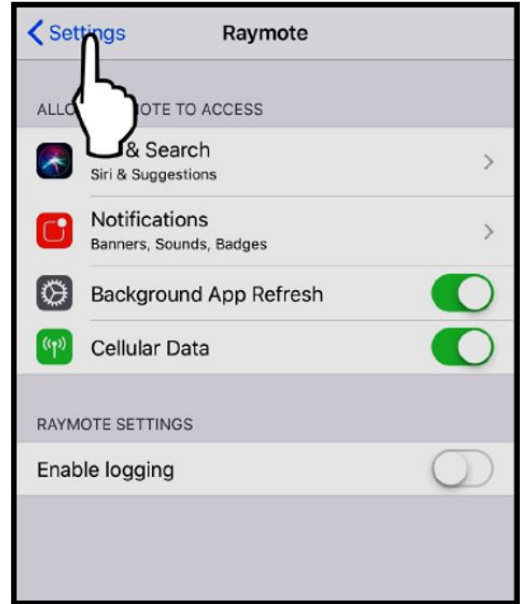


Figure 98. Select "Settings" Menu

- 6. Select the Wi-Fi network on the Settings menu. See Figure 99.



Figure 99. Select "Wi-Fi" Settings

- 7. Select the HOTSPOT identifier that matches the unit's Touchscreen as shown in Figure 100.



Figure 100. Select the HOTSPOT Identifier

8. A notification tab will confirm that iPhone is now connected to the unit. Press the notification tab or manually go back to the Raymote mobile iPhone app to continue. See Figure 101.



Figure 101. Connection Notification

**APPROVED**

9. The Raymote mobile app will provide the Wi-Fi network credentials to your unit. See Figure 102.

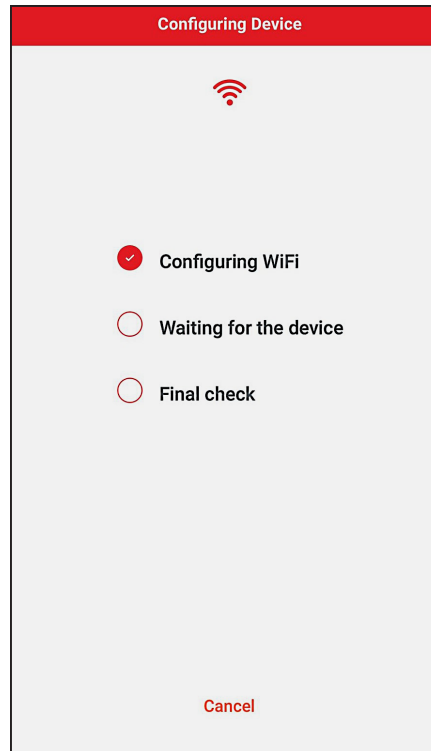


Figure 102. Configuring Device

## Configure your Device

1. Your device is now connected to Wi-Fi. You can change the name of your device here. See Figure 103.

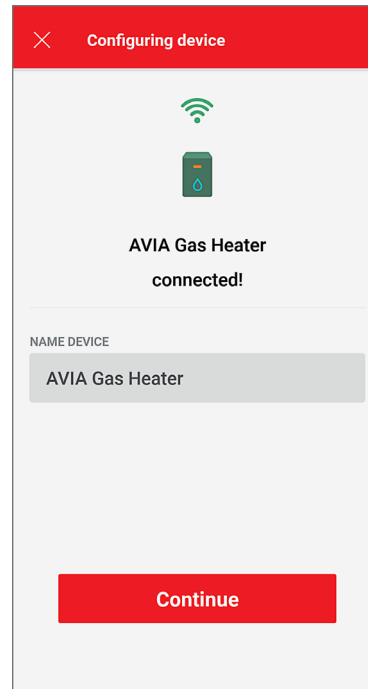


Figure 103. Device Name



2. Press the "Set up as new" button to enter new identification and service information. Press the "Apply recently used profile" button to use information already provided. See **Figure 104**.

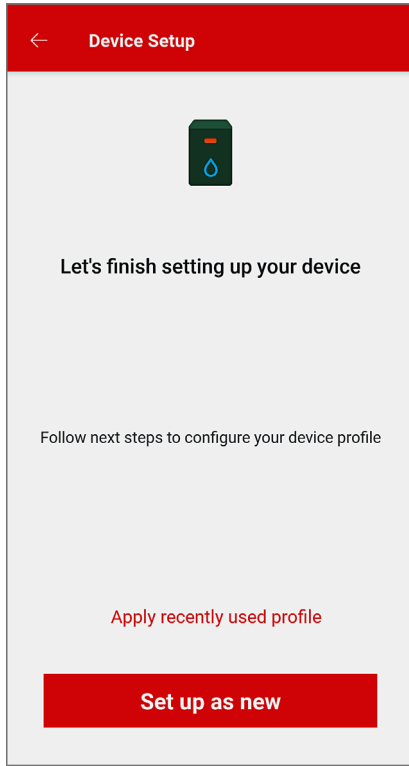


Figure 104. Device Setup as New

3. During device configuration, basic reference information about the unit will be requested, including service provider, site location, Pool and Spa size. See **Figure 105**.

**NOTE:** This information can be added at any time, and it is highly recommended to provide as much detail as possible to facilitate ease of use and customer service.

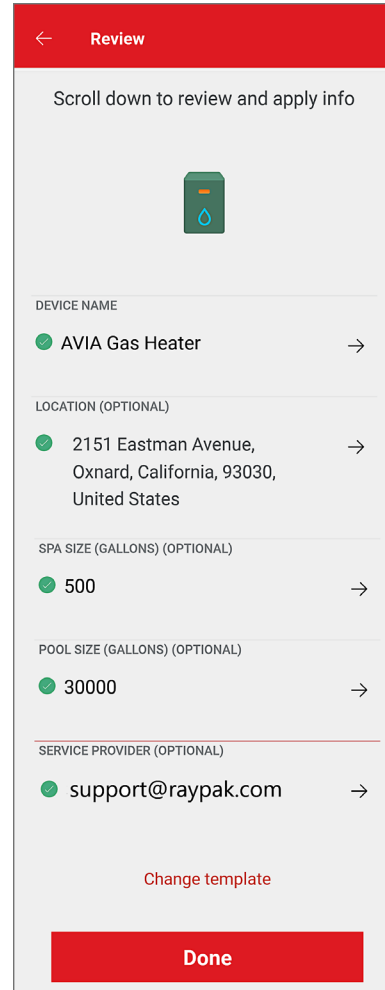


Figure 105. Device Setup Review

After completing the Raymote configuration, the unit will start broadcasting data to the Raymote cloud.

# 12. RAYMOTE MOBILE APP

## Raymote Mobile App Navigation

1. Open Raymote and Sign up or Log in. See **Figure 106**.
2. Once Raymote App is opened, click on top left icon. See **Figure 107**.
3. Main menu will appear to choose from options to view. **Figure 108**.
  - A. My Profile (i.e. Name, email, and time zone)
  - B. Heater "organization" name - Click to switch to another organizations (if available)
  - C. Settings (alerts and notification preference selection)
  - D. Help and Support link
  - E. About Raymote App
  - F. Session Log Out from Raymote App

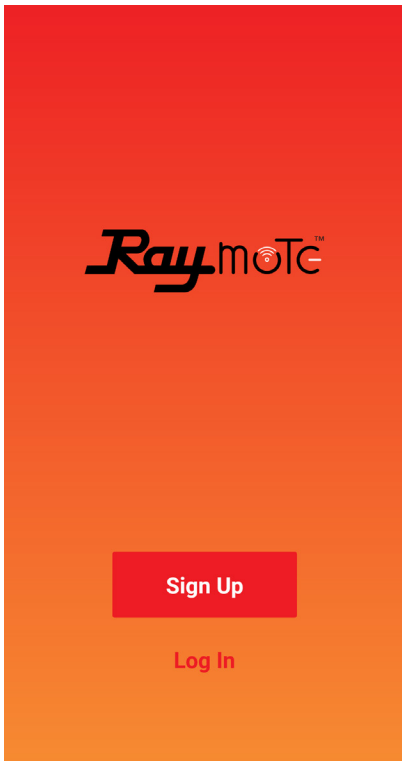


Figure 106. Initial Screen



Figure 107. Icon

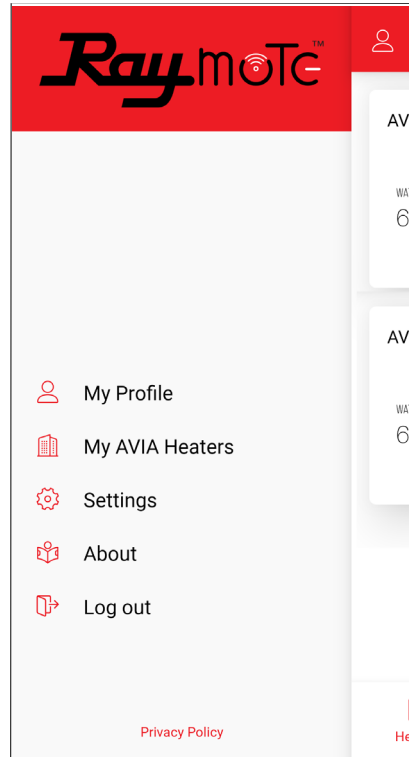


Figure 108. Left Panel Options

## Heater Selector

All registered Raypak heaters are listed on this screen as titles with the name of the unit and a quick overview of unit operation. By pressing one of the blocks, users can access that unit's information and can adjust some of its parameters. See **Figure 109**.

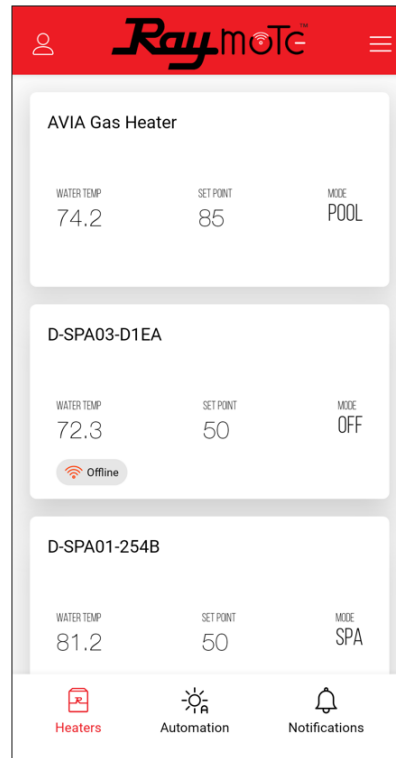
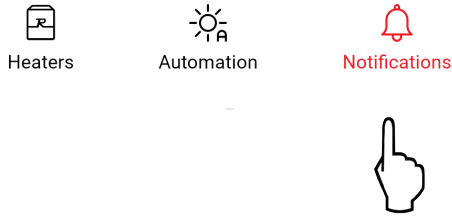


Figure 109. Heater Selector

At the bottom of the welcome screen is the notification access point. By pressing this icon, users can access a summary of alerts and events for a given time frame, for all the registered units. See **Figure 110**.



**Figure 110. Notification Screen**

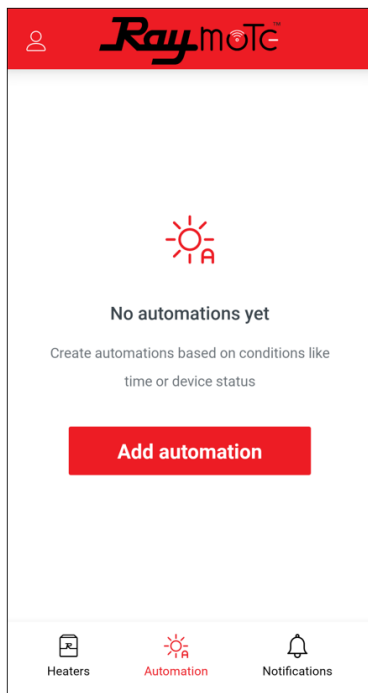
Alerts, events and diagnostic notifications are listed, with different colors for easy identification.

- Green – Device online
- Blue - OTA (Over The Air) update performed
- Yellow – Diagnostic warning
- Black – Device offline
- Red – Faults and Warnings notifications

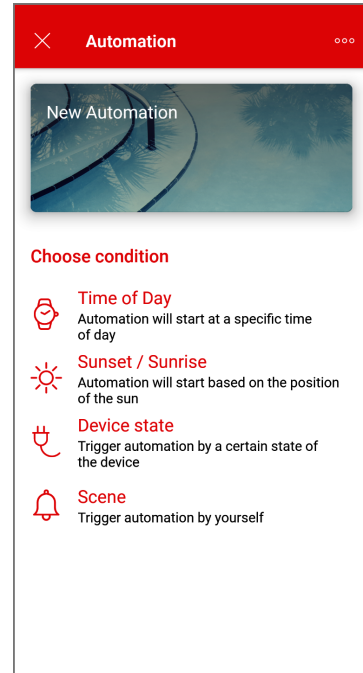
Each event can be selected to provide quick access to the mobile view page of the unit that presented the incident.

### Raymote Automation

Raymote automation offers the ability to select heater functions and customize a specific condition that could trigger a notification, or a control command like "operation mode" or "set point", programmed by schedule or triggered by a user-defined condition. See **Figure 111** and **Figure 112**.



**Figure 111. Automation**



**Figure 112. Automation Options**

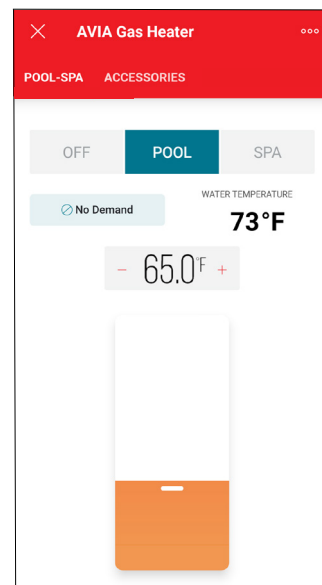
### Pool-Spa Mode Screen

The Mode Screen contains the main controls for the heater. Operation mode and setpoint can be selected from this screen.

This screen also provides the water temperature sensed by the heater, as well as its current operation status. See **Figure 113**.

**NOTE:** When OFF is selected, the setpoint slider is disabled.

**NOTE:** When unit is controlled with wired remote control, the operation options OFF, Pool and Spa are disabled in the App.



**Figure 113. Heater Controls**

## Accessories Screen

The accessories screen includes the auxiliary and extended heater controls in the Raymote mobile app. These controls allow users to command an Auxiliary relay that can be wired to turn on and off a pump, lights or water features. When unit is equipped with Water Chemistry board, up to 3 auxiliary outputs can be controlled.

This screen also provides control to Raypak Protege variable speed pump when connected to the heater. See **Figure 114**.

**⚠ WARNING:** Only authorized users have access to remotely control the heater, do not provide credentials to unauthorized users.

**⚠ WARNING:** Check "Auxiliary Output Control" section for details of wiring and rating of the built-in auxiliary relay.

Some controls are application dependent and may not be available on all units. When a control or set of controls are not available, these will be grayed out.

Raymote controls will reflect the actual status of the value on the local unit. When a change is applied to any control item, the position of the selector will reflect the confirmation value of the setting. See **Figure 114**.

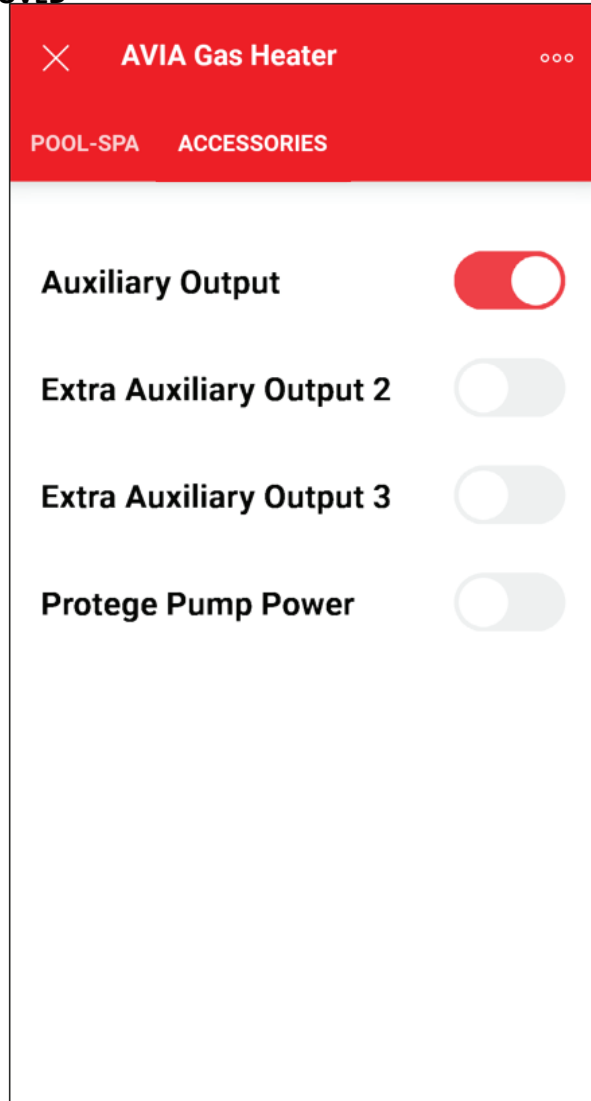


Figure 114. Accessories Screen

**NOTE:** Use your smartphone camera to open QR link below to access the latest instructions and detailed technical support for Raymote and AVIA.



## Reset Wi-Fi Credentials

Resetting the Wi-Fi is useful when the heater is trying to connect to a Wi-Fi signal that is not available or has been changed.

**NOTE:** After resetting Wi-Fi credentials, the heater needs to be manually connected again to Wi-Fi to work with Raymote features. Ensure to reconnect as existing unit in Raymote app or add it as a new device.

1. Press and hold the CONNECT key for 5 to 10 seconds.

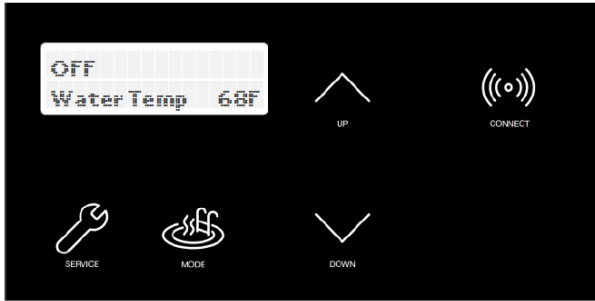


Figure 115. Wi-Fi Reset – Press and Hold CONNECT

2. The Display shows “Reset Wi-Fi?” in the top row and “No” in the second row.
3. To cancel and exit, press MODE.



Figure 116. Wi-Fi Reset Menu

4. To proceed with reset, press UP key.
5. Second row now shows “Yes”.

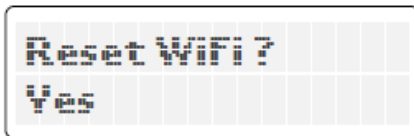


Figure 117. Wi-Fi Reset Confirmation

6. Now press Mode key to reset.
7. “Wi-Fi Initialized” message is displayed.



Figure 118. Wi-Fi Reset Completed

8. Now Connect again or reconfigure an existing heater.

## Reconnect to Wi-Fi

Follow the next steps to reconnect a Heater already registered in Raymote, to a new Wi-Fi network or after a change of Wi-Fi password.

1. Select the device that needs to be reconfigured.

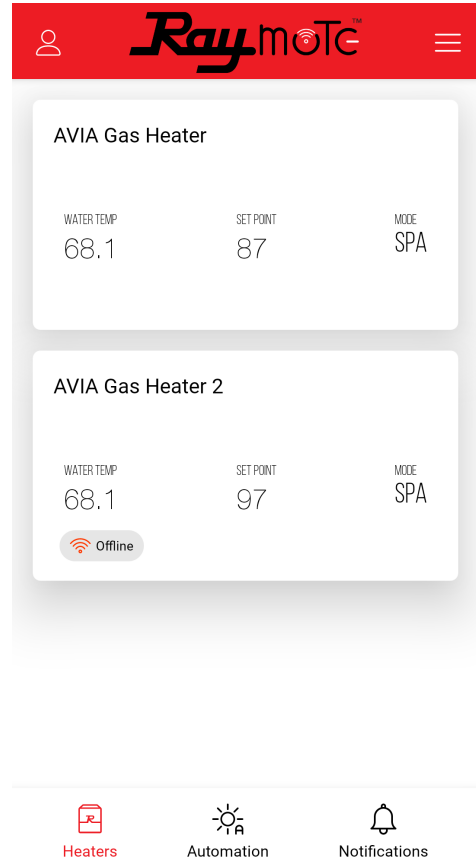


Figure 119. Select Heater to Reconfigure

2. Press the 3-dots button on top-right corner to open Configuration screen.

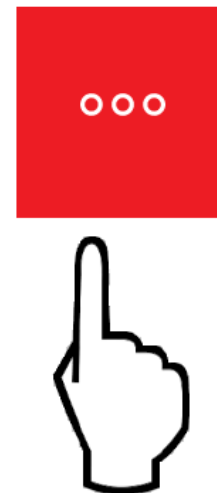


Figure 120. Open Configuration Screen

APPROVED

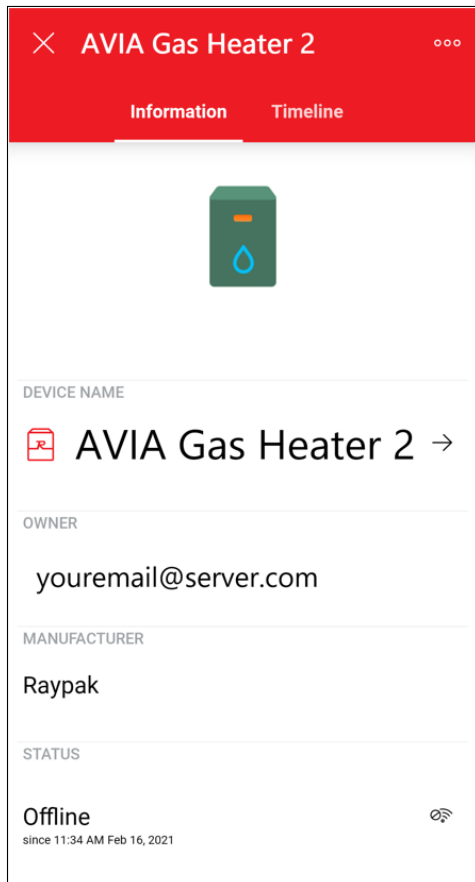


Figure 121. Open Actions Menu

3. In "Actions" menu, select the option "Reconfigure".

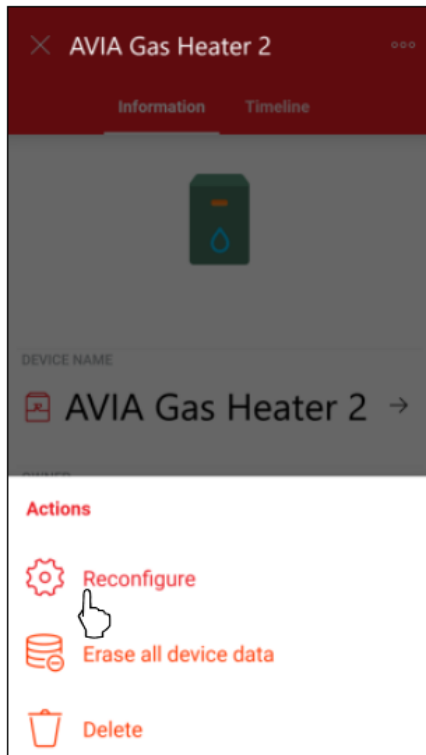


Figure 122. Select Reconfigure

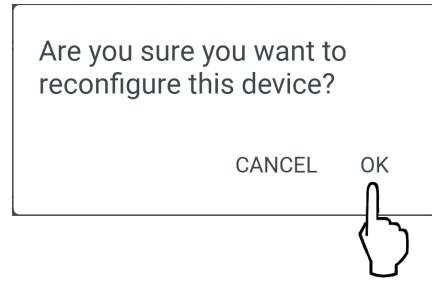


Figure 123. Confirm Selection

4. Now, standing near the heater, confirm device readiness and proceed with Wi-Fi configuration.

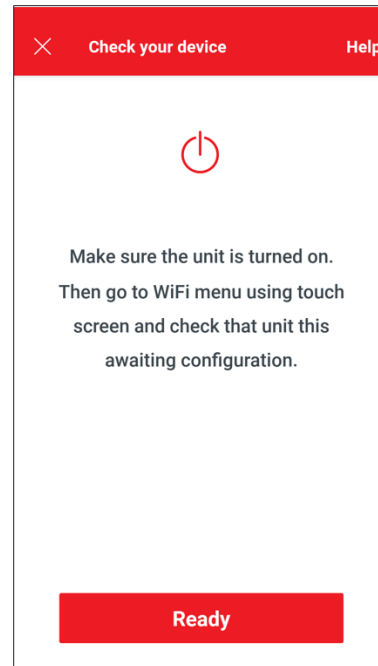


Figure 124. Start Selection

5. Wait a few seconds while heater identifier is detected.
6. Select the Device Identifier to continue.

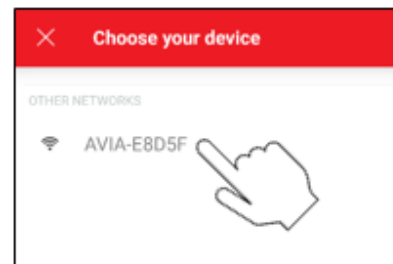


Figure 125. Choose the Device

7. When ready, press Continue.



APPROVED

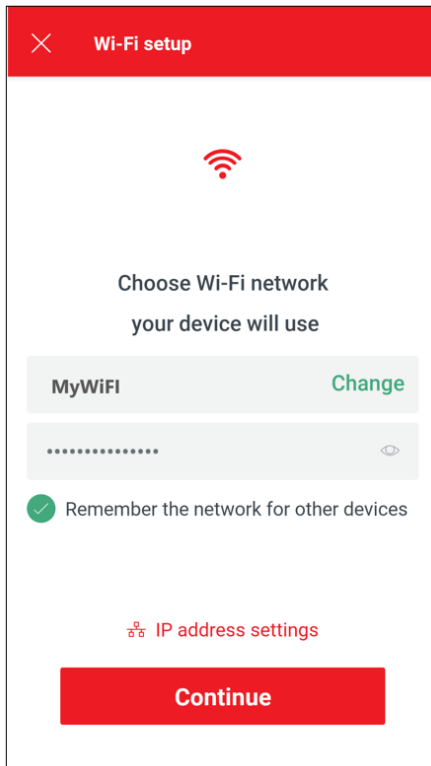


Figure 126. Set Wi-Fi Network and Password

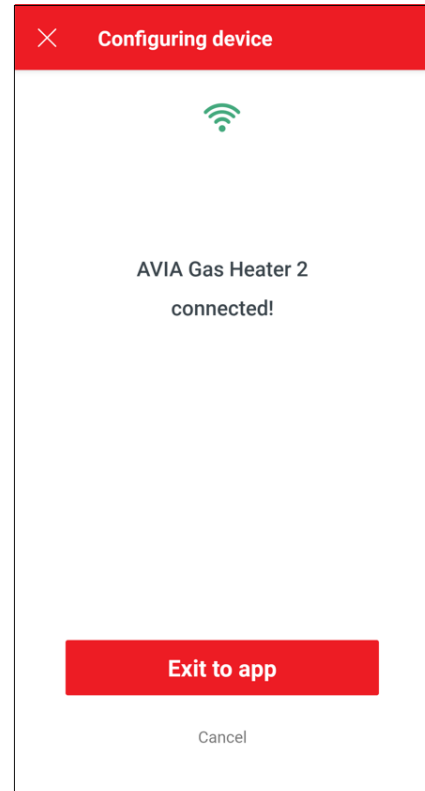


Figure 128. Exit to App

8. After this, Raymote will send the Wi-Fi configuration to the Heater.

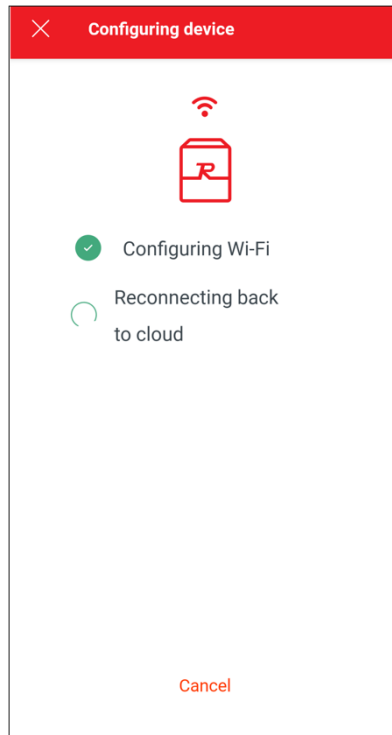


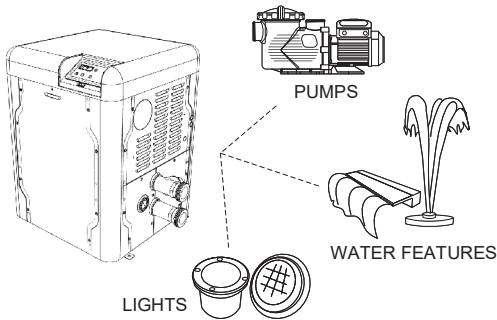
Figure 127. Configuring Device

# 13. AUXILIARY CONTROL OUTPUT

**NOTE:** Use your smartphone camera to access detailed instructions for Auxiliary output scheduling with Raymote.

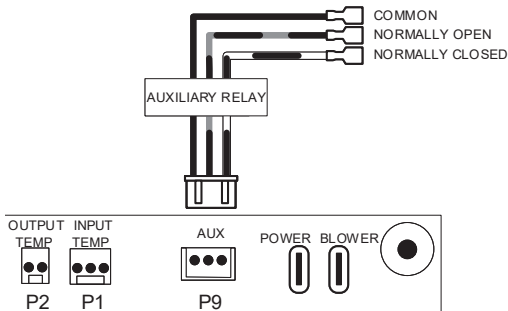


The AVIA heater offers an integrated dry contact relay for local and remote control of ON/OFF devices like pumps, water features, valves and lights.



**Figure 129. Device Relay Integration**

Auxiliary output is available in terminal P9 "AUX". Use the supplied harness to control ON/OFF functions or power switching.



**Figure 130. Auxiliary Terminal**

AUX terminal can be used as direct control or as pilot relay to a higher rating relay or power contactor. **Table S** describes Auxiliary output terminals and ratings.

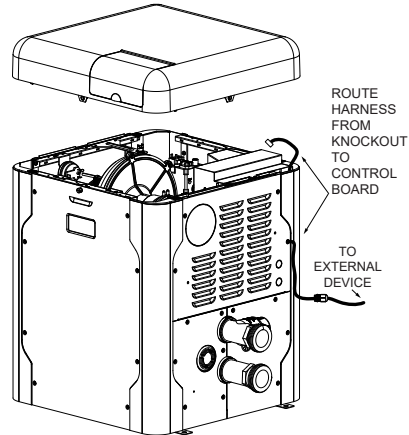
Terminal	Wire	AC Rating	DC Rating
Common	Black		
Normally Open	Black and Red	250V Max, 3A	30V Max, 3A
Normally Open	Black and Red		

**Table S. Auxiliary Terminals and Ratings**

**CAUTION:** Do not exceed Auxiliary relay rating. Check power requirements of any electric component connected to this device, following the applicable installation norms and requirements.

## APPROVED

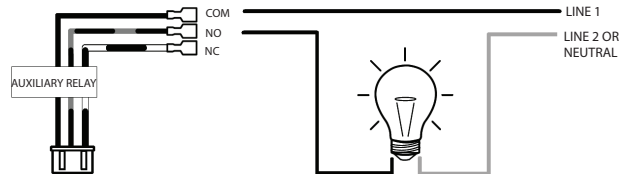
Use the knockout holes located next to water inlet panel to route Auxiliary harness inside the cabinet to the controller board. See **Figure 131**.



**Figure 131. Route Communication Harness**

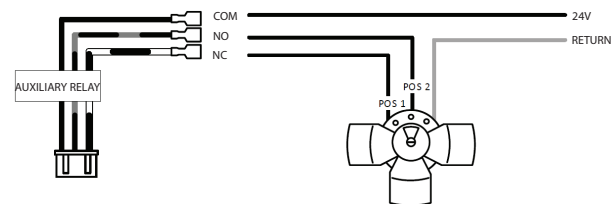
It is recommended to use a liquid tight cord grip inserted in the 0.875 inch diameter knockout hole for better sealing.

The built-in Auxiliary is a dry contact relay output that can be used as a switch to control valves, lights and other devices rated at 3 amps or below.



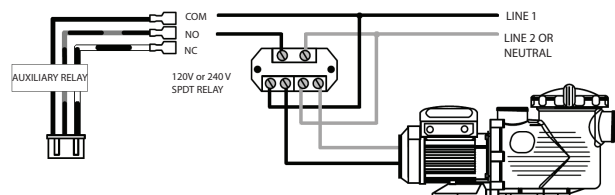
**Figure 132. Auxiliary Relay**

Use the Normally Closed (NC) and Normally Open (NO) terminals to drive the 3-way valve rated to 3 amps or below. This configurations typically uses an external 24V supply.



**Figure 133. 3-Way Valve**

For pumps, blowers and other applications rated above 3 amps use an external SPDT relay.



**Figure 134. SPDT Relay**

For a quick and clean installation use the "Relay Box" service kit 019268F.

## 14. REPLACEMENT PARTS

**NOTE:** To supply you with the correct part, it is important that you supply the heater model number, serial number and type of gas when applicable.

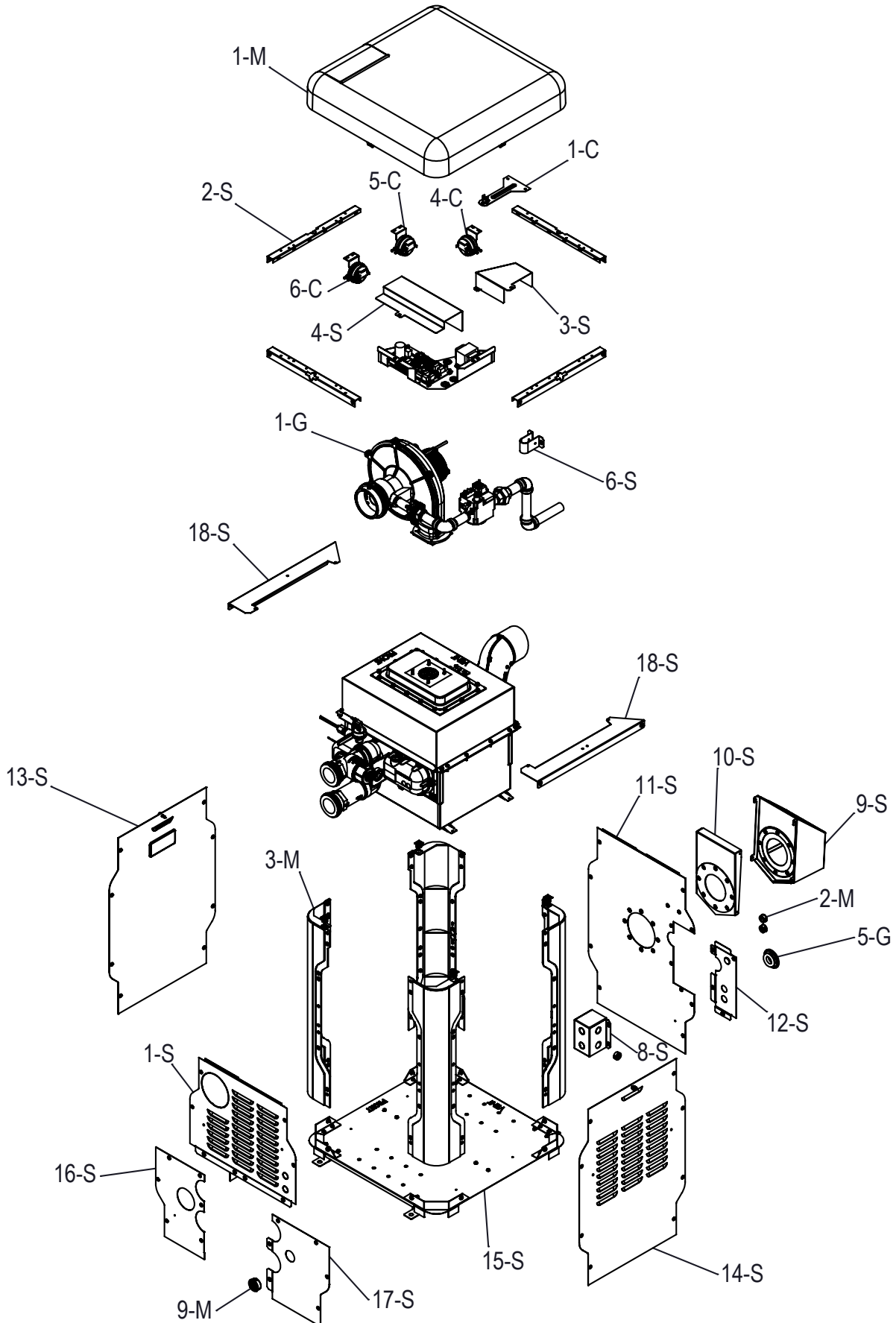
Any part returned for replacement under standard company warranties must be properly tagged with a return parts tag, completely filled in with the heater serial number, model number, etc., and shipped to the Company freight prepaid.

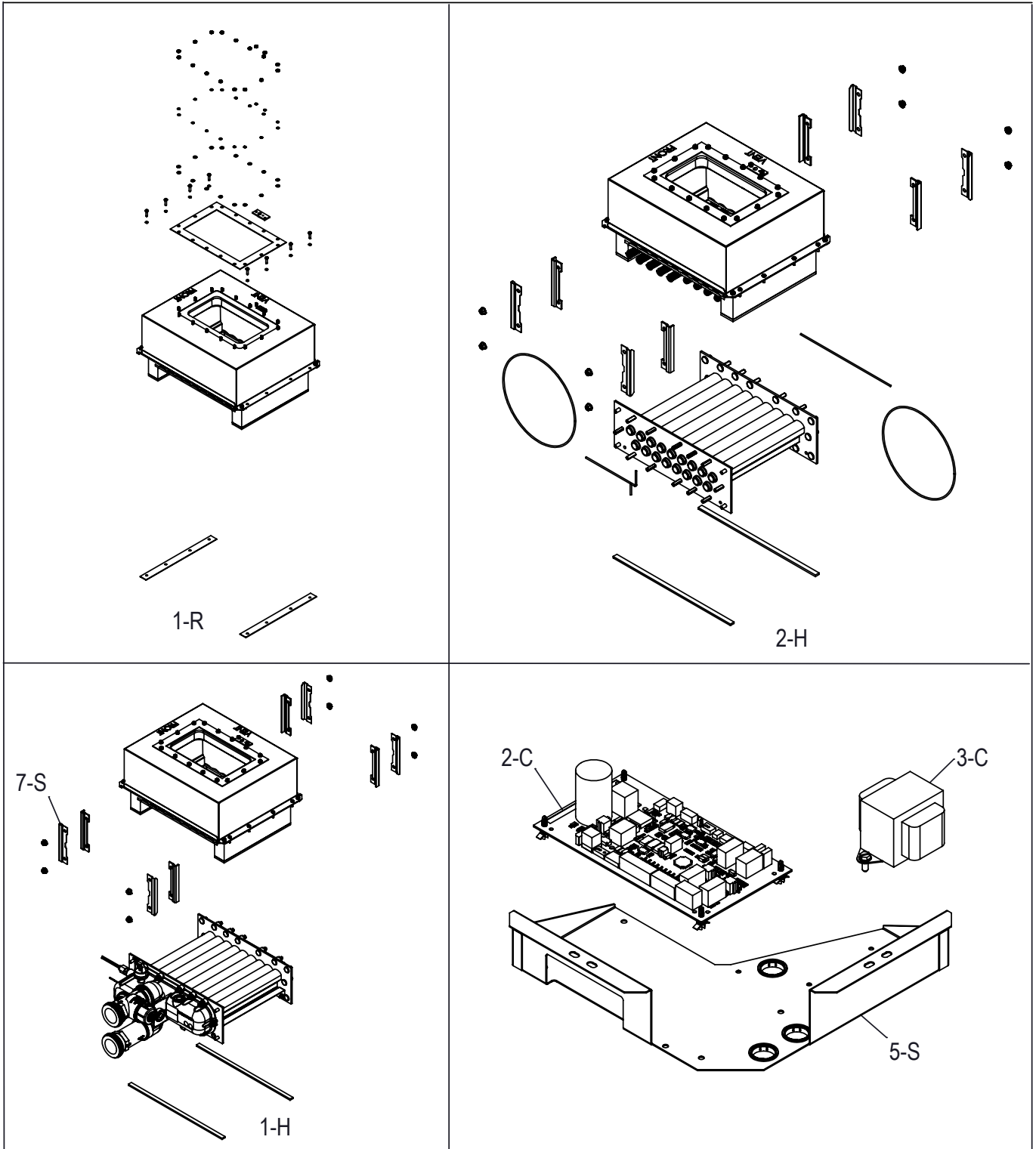
If determined defective by the Company and within warranty, a like part or equal substitution will be returned, freight collect. Credit will not be issued.

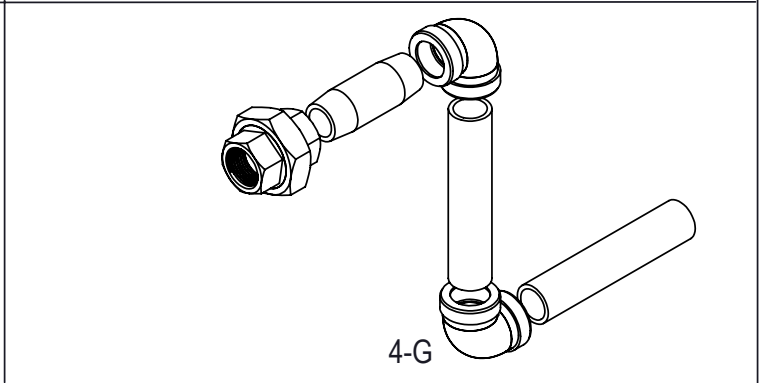
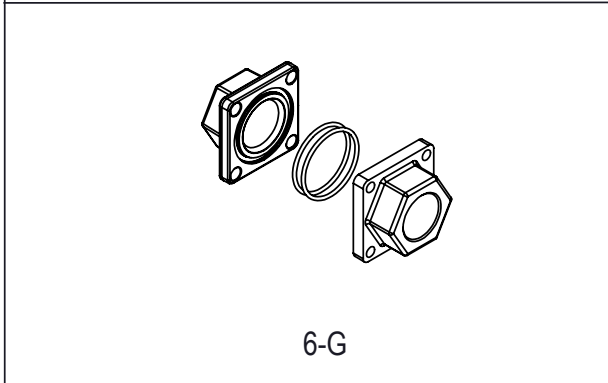
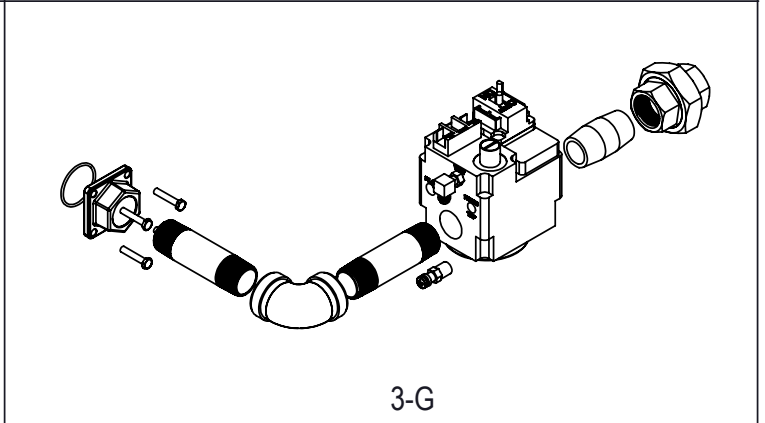
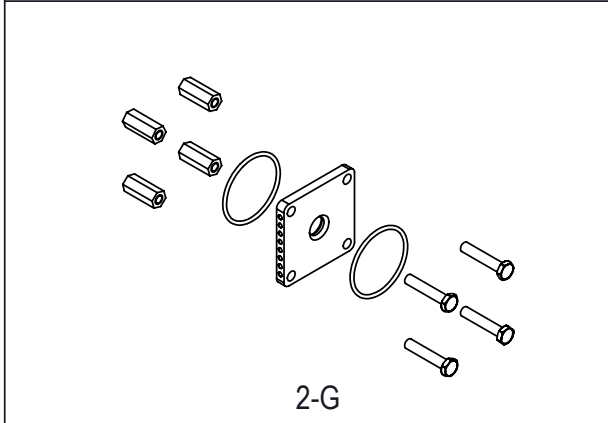
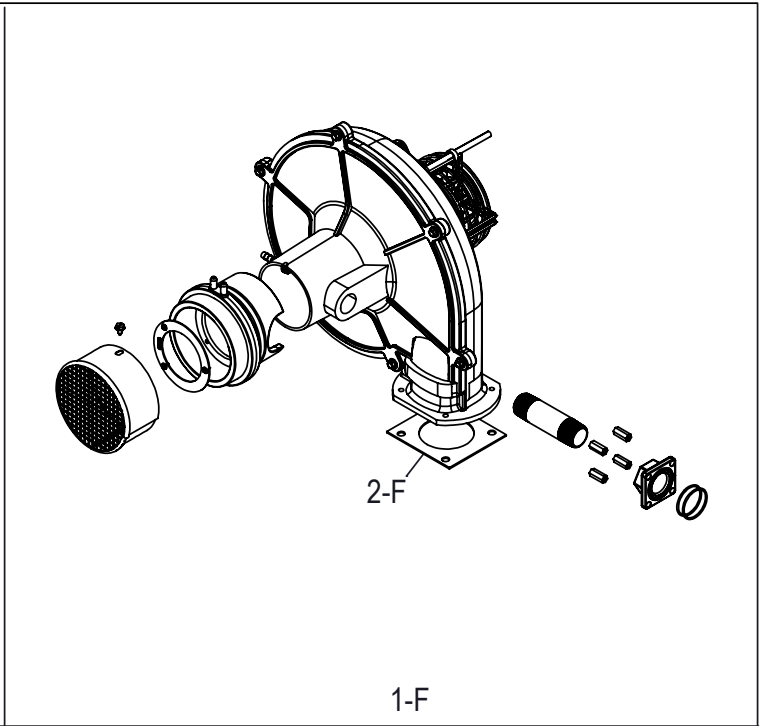
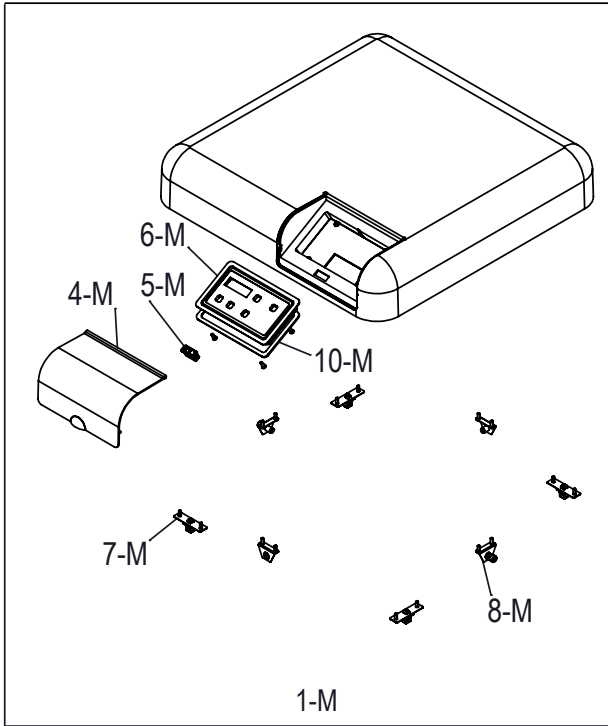
**MANUFACTURER:**

**Av. New York 207, Parque Industrial Oradel, C.P.  
88285 Nuevo Laredo Tamps. Mexico**

# 15. ILLUSTRATED PARTS LIST

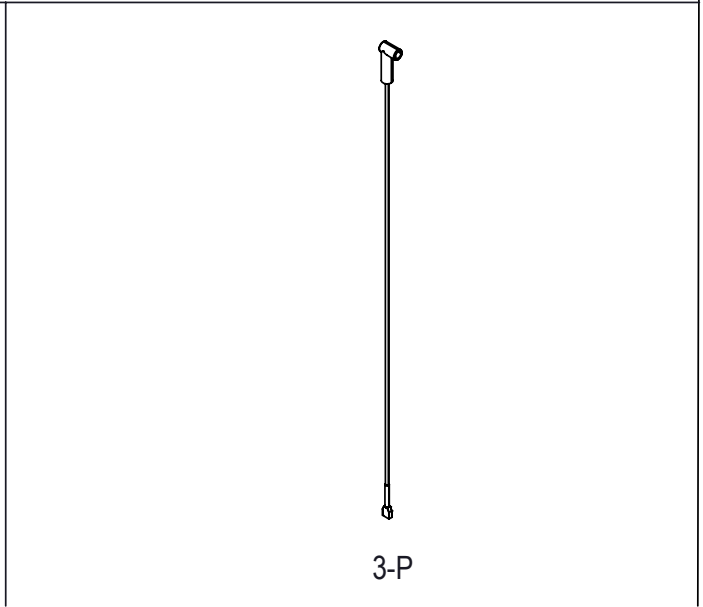
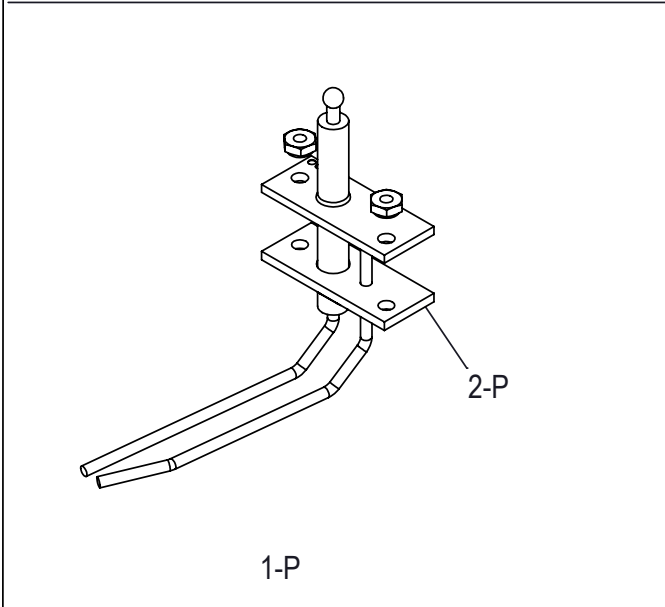
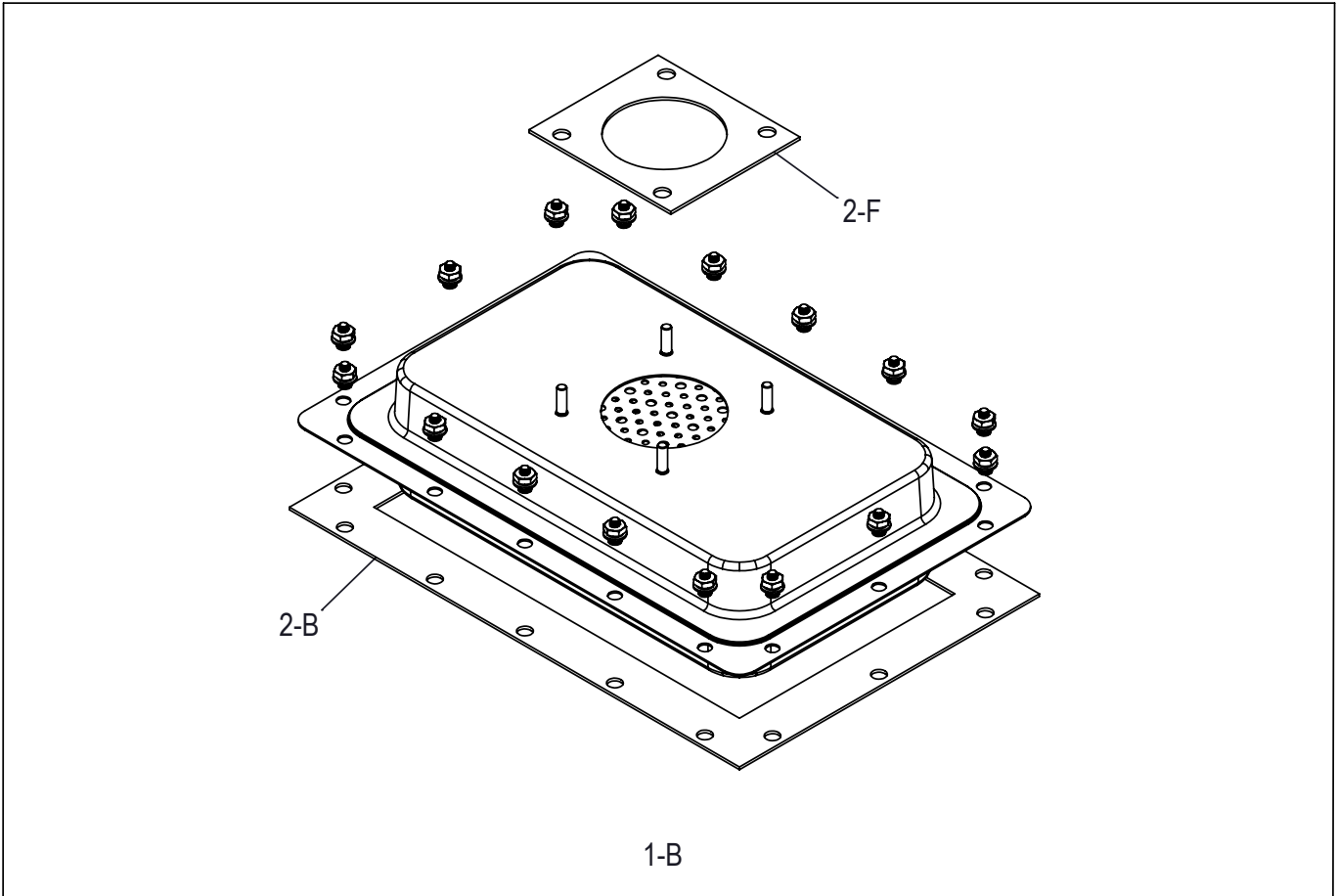




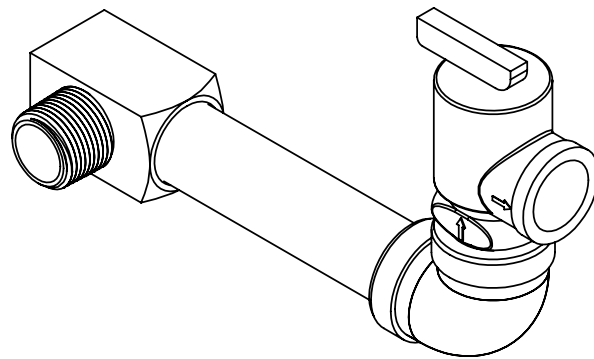
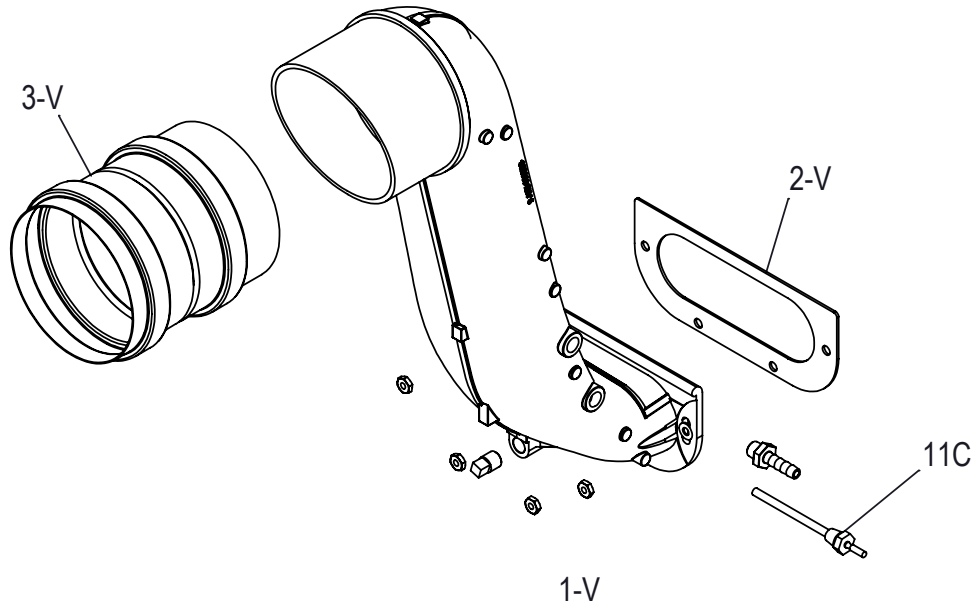




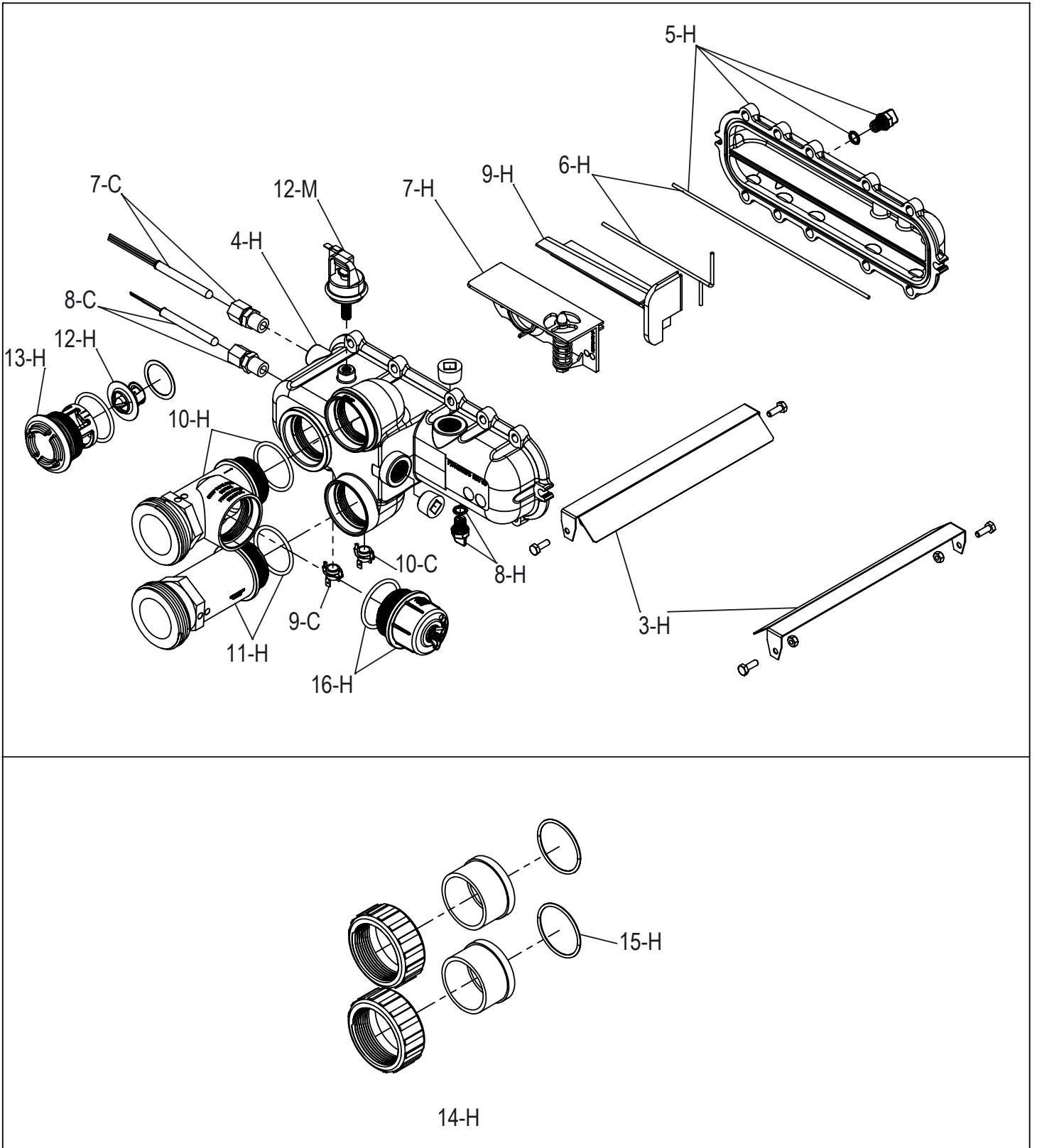
APPROVED



APPROVED



11-M (OPTIONAL)



**APPROVED**

<b>CALL OUT</b>	<b>DESCRIPTION</b>	<b>264A</b>	<b>404A</b>
<b>B</b>	<b>BURNER</b>		
1-B	Kit-Burner	018873F	018873F
2-B	Kit-Burner Gasket	018878F	018878F
<b>C</b>	<b>CONTROLS</b>		
1-C	Kit-Temp Sensor Limit	018853F	018853F
2-C	Kit-Ignition Board	018857F	018933F
3-C	Kit-Transformer 120/240/24V	018858F	018858F
4-C	Kit-Pressure Vent	018928F	018928F
5-C	Kit-Pressure Air	018929F	018929F
6-C	Kit-Pressure Differential	018930F	018931F
7-C	Kit-Temperature Inlet Sensor	019042F	019042F
8-C	Kit-Temperature Outlet Sensor	019043F	019043F
9-C	Kit-High Limit 2-HL2-Surface Mount	019044F	019044F
10-C	Kit-High Limit 1-HL1-Surface Mount	019045F	019045F
11-C	Kit-Temperature Vent Sensor	019046F	019046F
<b>F</b>	<b>FAN</b>		
1-F	Kit-Blower Comb Air	018865F	018961F
2-F	Kit-Blower Gasket	018898F	018898F
<b>G</b>	<b>GAS VALVE</b>		
1-G	Blower/Gas Train Assy		
	Kit-Blower/Gas Train Natural (0-4500 Ft)	018861F	018862F
	Kit-Blower/Gas Train Propane (0-4500 Ft)	018863F	018864F
2-G	Gas Orifice		
	Kit-Gas Orifice Natural (0-4500 Ft)	018866F	018867F
	Kit-Gas Orifice Propane (0-4500 Ft)	018868F	018869F
3-G	Kit-Gas Valve w/ Gas Line Half	018870F	018870F
4-G	Kit-Gas Line End	018871F	018871F
5-G	Kit-Gas Line Grommet	018886F	018886F
6-G	Kit-Adapter Gas Orifice	018926F	018926F
<b>H</b>	<b>HEAT EXCHANGER</b>		
1-H	Kit-Heat Exchanger (Includes Refractory)	018900F	018901F
2-H	Kit-Tube Bundle (Includes Refractory)*	018849F	018850F
3-H	Kit-Heat Exchanger Baffle	019047F	019048F
4-H	Kit-Inlet/Outlet Header Complete	019049F	019049F
	Kit-Inlet /Outlet Header	019050F	019050F
5-H	Kit-Return Header	019051F	019051F
6-H	Kit-Header Gasket (2)	019052F	019052F
7-H	Kit-Bypass Assy (w/Coils)		
	Level 0 Flow	019053F	019056F
	Level 1 Flow (Nominal)	019054F	019057F
	Level 2 Flow	019055F	019058F
8-H	Kit-Drain Plug Pool	006721F	006721F
9-H	Kit-Inlet/Outlet Header Dam	019059F	019059F
10-H	Kit-Inlet Header Adapter	019060F	019060F
11-H	Kit-Outlet Header Adapter	019061F	019061F
12-H	Kit-Unitherm Governor	019062F	019062F
13-H	Kit-Unitherm Governor Plug Polymer	019063F	019063F
14-H	Kit-2" CPVC Connector & Nut (2)	006723F	006723F
15-H	Kit-O Ring Inlet/Outlet Pool (2)	006724F	006724F
16-H	Kit-ProTek Shield Assy	017960F	017960F

\*WARNING: The Hydraulic conditions or water chemistry that caused the tube bundle to fail have very likely also damaged the bypass valve. We recommend to inspect the bypass assembly. Failure to do so could cause premature failure of this replacement part.

**APPROVED**

<b>M</b>	<b>MISCELLANEOUS COMPONENTS</b>		
1-M	Kit-Top Cover Assy	018852F	018852F
4-M	Kit-Top Lid	018902F	018902F
5-M	Kit-Power Switch	018903F	018903F
6-M	Kit-Bezel	018904F	018904F
7-M	Kit-Top Clip Assy	018905F	018905F
8-M	Kit-Top Knurled Screw Assy	018906F	018906F
10-M	Kit-Bezel Gasket	018921F	018921F
2-M	Kit-Power Cable Grommet	018884F	018884F
3-M	Kit-Corner Post	018891F	018891F
9-M	Kit-PRV Grommet	018920F	018920F
11-M	Kit-PRV Line	018936F	018936F
12-M	Kit-Pressure Switch 1.75 PSI	006737F	006737F
22-M	Kit-Pressure Switch 11 PSI Special-See Water Pressure Switch Adj. (Not Shown)	009133F	009133F
13-M	Kit-Wire Bonding 14/6 Connector	007155F	007155F
14-M	Kit-Tube Air Sample (Blower/Vent/Air Pressure Switch)	010348F	010348F
15-M	Kit-Wire/Harness (Not Shown)	019064F	019064F
16-M	Touch-up Paint (Not Shown)		
	Cool Dark Gray	750256	750256
	Warm Dark Gray	750258	750258
	Maroon	750265	750265
17-M	Kit-Delimiting (Not Shown)	052871F	052871F
18-M	RTV Sealant 2.8 oz (Not Shown)	008924F	008924F
19-M	RTV Sealant 10 oz (Not Shown)	005755F	005755F
20-M	Kit-Elevation Natural (Not Shown)	019065F	019066F
21-M	Kit-Elevation Propane (Not Shown)	019067F	019068F

**APPROVED**

<b>CALL OUT</b>	<b>DESCRIPTION</b>	<b>264A</b>	<b>404A</b>
<b>P</b>	<b>PILOT</b>		
1-P	Kit-Igniter Direct Spark	018874F	018874F
2-P	Kit-Igniter Gasket	018879F	018879F
3-P	Kit-Hi Tension Wire	018875F	018875F
<b>R</b>	<b>REFRACTORY</b>		
1-R	Kit-Refractory Assy	018848F	018848F
<b>S</b>	<b>SHEET METAL / CABINET</b>		
1-S	Kit-Top Right Panel Assy Raypak/Rheem/Ruud (Cool Dark Gray) Jacuzzi (Beige)	018851F 018973F	018851F 018973F
2-S	Kit-Cabinet Top Support	018854F	018854F
3-S	Kit-Transformer Cover	018855F	018855F
4-S	Kit-Ignition Board Cover	018856F	018856F
5-S	Kit-Ignition Board Mounting	018859F	018859F
6-S	Kit-Anti Rotation Gas Valve Bracket	018860F	018860F
7-S	Kit-Comb Chamber Seal	018872F	018872F
8-S	Kit-Junction Box	018876F	018876F
9-S	Kit-Vent Cover Assy	018881F	018881F
10-S	Kit-Vent Mounting Panel Raypak/Rheem/Ruud (Cool Dark Gray) Jacuzzi (Beige)	018882F 018977F	018882F 018977F
11-S	Kit-Panel Left Side Vent Raypak/Rheem/Ruud (Cool Dark Gray) Jacuzzi (Beige)	018883F 018976F	018883F 018976F
12-S	Kit-Panel Junction Box Cover Raypak/Rheem/Ruud (Cool Dark Gray) Jacuzzi (Beige)	018885F 018975F	018885F 018975F
13-S	Kit-Panel Front Raypak (Maroon) Rheem (Warm Dark Gray) Ruud (Cool Dark Gray) Jacuzzi (Beige)	018888F 018889F 018887F 018890F	018888F 018889F 018887F 018890F
14-S	Kit-Panel Rear Raypak (Maroon) Rheem/Ruud (Cool Dark Gray) Jacuzzi (Beige)	018893F 018894F 018895F	018893F 018894F 018895F
15-S	Kit-Base Assy	018892F	018892F
16-S	Kit-Bottom Right Panel UG Raypak/Rheem/Ruud (Cool Dark Gray) Jacuzzi (Beige)	018896F 018978F	018896F 018978F
17-S	Kit-Bottom Right Panel PRV Raypak/Rheem/Ruud (Cool Dark Gray) Jacuzzi (Beige)	018897F 018974F	018897F 018974F
18-S	Kit-Comb Chamber Support	018899F	018899F
<b>V</b>	<b>VENTING</b>		
1-V	Kit-Flue Exhaust	018877F	018877F
2-V	Kit-Flue Exhaust Gasket	018880F	018880F
3-V	Kit-Flue Adapter 4" SS	018932F	018932F
<b>CONVERSION KITS*</b>		<b>264</b>	<b>404</b>
	Nat. to Pro.	N/A	N/A
	Pro. to Nat.	N/A	N/A

\* Gas conversions are to be done only by a qualified agency.



# 16. IMPORTANT INSTRUCTIONS FOR THE COMMONWEALTH OF MASSACHUSETTS

The Commonwealth of Massachusetts requires compliance with regulation 248 CMR 4.00 and 5.00 for installation of through – the – wall vented gas appliances as follows:

(a) For all side wall horizontally-vented gas-fueled equipment installed in every dwelling, building or structure used in whole or in part for residential purposes, including those owned or operated by the Commonwealth and where the side wall exhaust vent termination is less than seven (7) feet above finished grade in the area of the venting, including but not limited to decks and porches, the following requirements shall be satisfied:

1. **INSTALLATION OF CARBON MONOXIDE DETECTORS.** At the time of installation of the side wall horizontally-vented gas-fueled equipment, the installing plumber or gasfitter shall observe that a hard wired carbon monoxide detector with an alarm and battery back-up is installed on the floor level where the gas equipment is to be installed. In addition, the installing plumber or gasfitter shall observe that a battery operated or hard wired carbon monoxide detector with an alarm is installed on each additional level of the dwelling, building or structure served by the side wall horizontal vented gas-fueled equipment. It shall be the responsibility of the property owner to secure the services of qualified licensed professionals for the installation of hard wired carbon monoxide detectors

a. In the event that the side wall horizontally-vented gas-fueled equipment is installed in a crawl space or an attic, the hard wired carbon monoxide detector with alarm and battery back-up may be installed on the next adjacent floor level.

b. In the event that the requirements of this subdivision can not be met at the time of completion of installation, the owner shall have a period of thirty (30) days to comply with the above requirements; provided, however, that during said thirty (30) day period, a battery operated carbon monoxide detector with an alarm shall be installed.

2. **APPROVED CARBON MONOXIDE DETECTORS.** Each carbon monoxide detector as required in accordance with the above provisions shall comply with NFPA 720 and be ANSI/UL 2034 listed and IAS certified.

3. **SIGNAGE.** A metal or plastic identification plate shall be permanently mounted to the exterior of the building at a minimum height of eight (8) feet above grade directly in line with the exhaust vent terminal for the horizontally-vented gas-fueled heating appliance or equipment. The sign shall read, in print size no less than one-half (1/2) inch in size, "GAS VENT DIRECTLY BELOW. KEEP CLEAR OF ALL OBSTRUCTIONS".

4. **INSPECTION.** The state or local gas inspector of the side wall horizontally-vented gas-fueled equipment shall not approve the installation unless, upon inspection, the inspector observes carbon monoxide detectors and signage installed in accordance with the provisions of 248 CMR 5.08(2)(a)1 through 4.

(b) **EXEMPTIONS:** The following equipment is exempt from 248 CMR 5.08(2)(a)1 through 4:

1. The equipment listed in Chapter 10 entitled "Equipment Not Required To Be Vented" in the most current edition of NFPA 54 as adopted by the Board; and

2. Product Approved side wall horizontally-vented gas-fueled equipment installed in a room or structure separate from the dwelling, building or structure used in whole or in part for residential purposes.

(c) **MANUFACTURER REQUIREMENTS - GAS EQUIPMENT VENTING SYSTEM PROVIDED.** When the manufacturer of Product Approved side wall horizontally-vented gas equipment provides a venting system design or venting system components with the equipment, the instructions provided by the manufacturer for installation of the equipment and the venting system shall include:

1. Detailed instructions for the installation of the venting system design or the venting system components; and

2. A complete parts list for the venting system design or venting system.

(d) **MANUFACTURER REQUIREMENTS - GAS EQUIPMENT VENTING SYSTEM NOT PROVIDED.** When the manufacturer of a Product Approved side wall horizontally-vented gas-fueled equipment does not provide the parts for venting the flue gases, but identifies "special venting systems", the following requirements shall be satisfied by the manufacturer:

1. The referenced "special venting system" instructions shall be included with the appliance or equipment installation instructions; and

2. The "special venting systems" shall be Product Approved by the Board, and the instructions for that system shall include a parts list and detailed installation instructions.

(e) A copy of all installation instructions for all Product Approved side wall horizontally-vented gas-fueled equipment, all venting instructions, all parts lists for venting instructions, and/or all venting design instructions shall remain with the appliance or equipment at the completion of the installation.

## GAS PRESSURE SUPERVISION

The Commonwealth of Massachusetts requires listed high and low gas pressure switches (manual-reset) for any model with a maximum firing input greater than 1,000,000 Btu/Hr in accordance with 248 CMR 7.04(11)(d).

A gas pressure regulator (field-supplied) is required in the gas train ahead of the heater, for heaters having input rates greater than 1,000,000 Btu/Hr, in accordance with 248 CMR 7.04 Figure 3B requirements.

# 17. WARRANTY

## LIMITED WARRANTY AVIA POOL AND SPA HEATERS Models: 264A, 404A

### SCOPE OF WARRANTY

Raypak, Inc. (Raypak) warrants to the original owner that the above model gas pool and spa heater (the "Heater") when installed in the contiguous 48 states of the United States of America with a pool or spa by a properly licensed installer will be free from defects in materials and workmanship under normal use and service for the Applicable Warranty Period. Under this Limited Warranty, Raypak will, at its option, repair or furnish a replacement for any defective part of the HEATER. The repair or replacement will be warranted for only the unexpired portion of the original Applicable Warranty Period or the Extended Warranty Period, as the case may be. This Limited Warranty does not apply to Heaters sold outside of the contiguous 48 states of the United States of America.

### EFFECTIVE DATE

All Applicable Warranty Periods specified in this Limited Warranty are measured from the Effective Date. The Effective Date of warranty coverage is the original date of purchase and/or installation if properly documented.

If proof of purchase and/or installation is not available, the Effective Date will be the date of manufacture plus 60 days.

### APPLICABLE WARRANTY PERIOD – UNREGISTERED AND/OR SELF INSTALLED

Except for HEATERS sold in California, if the HEATER is installed with a pool or spa, the Applicable Warranty Period is ninety (90) days from the Effective Date, parts and labor, for the HEATER and component parts.

### EXTENDED WARRANTY PERIOD – SERVICE PROFESSIONAL

Except for HEATERS sold in California, if, within 90 days of the Effective Date, (i) the HEATER is installed in a pool or spa at a single family residential dwelling by a properly licensed installer (in accordance with applicable state and local laws and regulations), and (ii) registered with Raypak ([www.raypak.com/warranty](http://www.raypak.com/warranty)) with an installation receipt attached to such registration, then the Applicable Warranty Period is two (2) years parts and labor, from the Effective Date for the HEATER and component parts. This warranty excludes heaters installed anywhere other than a single family residential dwelling, as this heater is not intended for installation in any other type of location.

### EXTENDED WARRANTY PERIOD – BUILDER, NEW CONSTRUCTION

Except for HEATERS sold in California, if, within 90 days of the Effective Date, (i) the HEATER is installed in a pool or spa at a single family residential dwelling by a properly licensed installer (in accordance with applicable state and local laws and regulations), (ii) registered with Raypak ([www.raypak.com/warranty](http://www.raypak.com/warranty)) with an installation receipt attached to such registration, then the Applicable Warranty Period is three (3) years parts and labor, from the Effective Date for the HEATER and component parts. This warranty excludes heaters installed anywhere other than a single-family residential dwelling, as this heater is not intended for installation in any other type of location.

### CALIFORNIA APPLICABLE WARRANTY PERIOD – SELF INSTALLED

For HEATERS sold in the state of California, if the HEATER is installed with a pool or spa, the Applicable Warranty Period is ninety (90) days from the Effective Date, parts and labor, for the HEATER and component parts.

### CALIFORNIA EXTENDED WARRANTY PERIOD – SERVICE PROFESSIONAL

For HEATERS sold in the state of California, if, within 90 days of the Effective Date, the HEATER is installed in a pool or spa at a single family residential dwelling by a properly licensed installer (in accordance with applicable state and local laws and regulations) then the Applicable Warranty Period is two (2) years parts and labor, from the Effective Date for the HEATER and component parts. This warranty excludes HEATERS installed anywhere other than a single family residential dwelling, as this heater is not intended for installation in any other type of location. Purchasers of HEATERS sold in California are not required to register with Raypak to activate this

## APPROVED

extended warranty. Failure to register your product will not diminish your warranty rights. Please keep your proof of purchase. If you choose to register your purchase with Raypak, you may do as at [www.raypak.com/warranty](http://www.raypak.com/warranty).

### **CALIFORNIA EXTENDED WARRANTY PERIOD – BUILDER, NEW CONSTRUCTION**

For HEATERS sold in the state of California, if, within 90 days of the Effective Date, the HEATER is installed in a pool or spa at a single family residential dwelling by a properly licensed installer (in accordance with applicable state and local laws and regulations) then the Applicable Warranty Period is three (3) years parts and labor, from the Effective Date for the HEATER and component parts. This warranty excludes heaters installed anywhere other than a single-family residential dwelling, as this heater is not intended for installation in any other type of location. Purchasers of HEATERS sold in California are not required to register with Raypak to activate this extended warranty. Failure to register your product will not diminish your warranty rights. Please keep your proof of purchase. If you choose to register your purchase with Raypak, you may do as at [www.raypak.com/warranty](http://www.raypak.com/warranty).

### **LABOR AND SHIPPING COSTS**

This Limited Warranty covers the reasonable cost of labor for repairs or replacements covered by this Limited Warranty, provided that said repairs or replacements are performed by a Raypak designated service provider during the Applicable Warranty Period and Raypak has pre-authorized said repair or replacement. This Limited Warranty does not cover any travel time or other labor costs. Furthermore, unless applicable state law provides otherwise, this Limited Warranty does not cover any shipping costs to and from the service provider or to or from the installation site. All of the foregoing costs and expenses are your responsibility.

### **WARRANTY EXCLUSIONS**

This Limited Warranty does **NOT** apply:

1. if the product has been moved from its original place of installation, or if the original owner no longer owns the property where the original installation was made;
2. if the product is not properly installed with a pool or spa by a properly licensed installer in accordance with applicable local codes and ordinances, good trade practices, and the manufacturer's installation instructions;
3. if the rating plate(s) or serial number(s) are altered or removed;
4. if the product is modified in any way, or non-factory authorized accessories or other components are used in conjunction with the product;
5. to damage, malfunctions or failures resulting from failure to properly install, operate or maintain the product in accordance with the manufacturer's instructions;
6. to damage, malfunctions or failures from abuse, act of nature, accident, fire, flood, freeze, misuse, lightning, earth grounding or the like;
7. to damage, malfunctions or failures resulting from [or due to] connected system control devices or third-party accessories;
8. to performance problems caused by improper sizing of the electric service voltage, wiring or fusing;
9. to performance problems caused by using the heater in undersized or oversized applications (using the right input rate heater for a given volume of water) and water temperatures below 50 F
10. to use of any attachment, including any energy saving device not authorized by the manufacturer.
11. to damage, malfunctions or failures from misuse or neglect, including but not limited to, freeze-ups, operating the heater with the cabinet panels or top off, having flow restrictions or obstructions between the heater outlet and the pool/spa, or not maintaining a proper chemical balance (pH level must be between 7.3 and 7.8 and total alkalinity between 80 and 150 PPM. Total dissolved solids (TDS) must be no greater than 3000 PPM. In saltwater chlorinated pools, TDS must be no greater than 6000 PPM).
12. to damage caused due to the presence of any corrosive or combustible chemicals in the vicinity of the heater
13. to Raypak supplied ProTek Shield™, which is not covered under warranty. The ProTek Shield is a sacrificial protection device and will need to be replaced as part of routine service. Damage caused to the heater due to a depleted ProTek Shield that has not been replaced may affect the warranty of the heat exchanger.

### **HOW TO MAKE A WARRANTY CLAIM**

You should immediately notify your dealer and provide proof of purchase, model number, serial number, and date of installation. Your dealer will contact Raypak for instructions regarding the claim and to determine the location of the nearest authorized service center. If the dealer is not available, please contact a Raypak warranty station at [www.raypak.com/find-a-warranty-station/](http://www.raypak.com/find-a-warranty-station/). When making a claim please be ready to supply the model number, serial number, date and proof of original

**APPROVED**

purchase and/or installation and a description of the problem. **Proper authorization MUST be obtained PRIOR to any repairs for the Limited Warranty to apply. This Limited Warranty is VOID if the Heater is repaired or altered in any way by ANY persons or agencies other than those authorized by Raypak.** Raypak reserves the right at all times to inspect, or require the return of, the defective Heater or component part and to verify warranty coverage at its factory.

**EXCLUSIVE WARRANTY-LIMITATION OF LIABILITY**

**THE LIMITED WARRANTY IS THE ONLY WARRANTY GIVEN BY RAYPAK IN CONNECTION WITH THE HEATER AND ITS COMPONENT PARTS. NO ONE IS AUTHORIZED TO MAKE ANY OTHER WARRANTIES ON RAYPAK'S BEHALF. ANY IMPLIED WARRANTIES, INCLUDING MERCHANTABILITY OR FITNESS FOR A PARTICULAR PURPOSE, SHALL NOT EXTEND BEYOND THE APPLICABLE WARRANTY PERIOD SPECIFIED ABOVE.**

**RAYPAK'S SOLE LIABILITY WITH RESPECT TO ANY DEFECT SHALL BE AS SET FORTH IN THIS LIMITED WARRANTY. IT IS AGREED THAT RAYPAK SHALL HAVE NO LIABILITY WHETHER UNDER THIS LIMITED WARRANTY OR IN CONTRACT, TORT OR NEGLIGENCE OR OTHERWISE FOR CLAIMS FOR SPECIAL, INCIDENTAL OR CONSEQUENTIAL DAMAGES (INCLUDING NO LIABILITY FOR DAMAGE FROM WATER LEAKAGE), ALL OF WHICH ARE EXPRESSLY EXCLUDED. SOME STATES DO NOT ALLOW LIMITATIONS ON HOW LONG AN IMPLIED WARRANTY LASTS, OR FOR THE EXCLUSION OF INCIDENTAL OR CONSEQUENTIAL DAMAGES, SO THE ABOVE LIMITATION OR EXCLUSION MAY NOT APPLY TO YOU. THIS LIMITED WARRANTY GIVES YOU SPECIFIC LEGAL RIGHTS, AND YOU MAY ALSO HAVE OTHER RIGHTS WHICH VARY FROM STATE TO STATE.**

We suggest you immediately record the model, serial number, date of original installation, receipt of purchase and proof of installation by a qualified technician and retain this Limited Warranty Certificate in the event warranty service is needed.

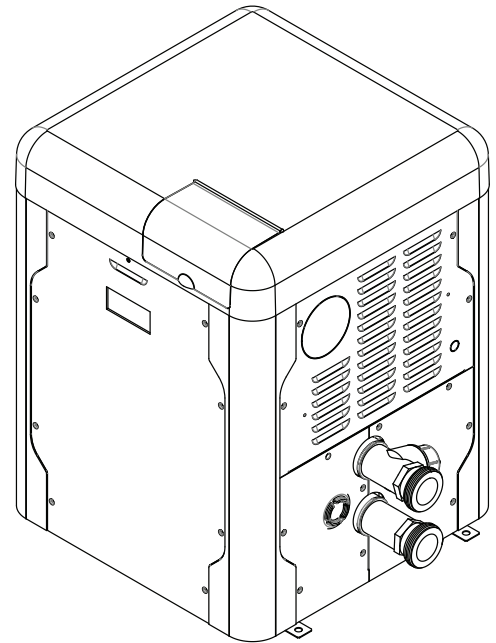
**DO NOT RETURN THIS DOCUMENT TO RAYPAK. KEEP IT WITH YOUR POOL HEATER OR BUSINESS RECORDS.**

**Registration of your product is required online at**  
**[www.raypak.com/warranty](http://www.raypak.com/warranty)**



APPROVED

# MANUEL D'INSTALLATION ET D'UTILISATION



## Chauffe-piscine et spa au gaz

Modèles 264 et 404



**AVERTISSEMENT:** tout manquement aux présentes directives peut causer un incendie ou une explosion entraînant des dommages matériels, des blessures ou la mort.

- Ne pas entreposer ni utiliser de l'essence ou d'autres liquides ou vapeurs inflammables à proximité de cet appareil ou de tout autre appareil. Le non-respect de cette directive peut causer un incendie ou une explosion.
- SI VOUS DÉTECTEZ UNE ODEUR DE GAZ
  - Ne mettez aucun appareil en marche.
  - Ne touchez à aucun interrupteur électrique; n'utilisez aucun téléphone dans votre bâtiment.
  - Déplacez-vous immédiatement chez un voisin, d'où vous appellerez votre distributeur de gaz; et suivez ses directives.
  - Si vous ne pouvez communiquer avec votre distributeur de gaz, appelez le Service des incendies.
- L'installation et la réparation de cet appareil doivent être effectuées par un installateur qualifié, un centre de service licencié ou le fournisseur de service du gaz.

Ce manuel doit rester lisible et être rangé à proximité de l'appareil ou dans un lieu sûr pour une utilisation ultérieure.

N° pièce: 241807 Rev. 7

UNCONTROLLED DOCUMENT IF PRINTED



**⚠ AVERTISSEMENT: Tout manquement aux présentes directives peut causer un incendie ou une explosion entraînant des dommages matériels, des blessures ou la mort.**

Ne pas entreposer ni utiliser de l'essence ou d'autres liquides ou vapeurs inflammables à proximité de cet appareil ou de tout autre appareil.

#### SI VOUS DÉTECTEZ UNE ODEUR DE GAZ:

- Ne mettez aucun appareil en marche.
- Ne touchez à aucun interrupteur électrique; n'utilisez aucun téléphone dans votre bâtiment.
- Déplacez-vous immédiatement chez un voisin, d'où vous appellerez votre distributeur de gaz; et suivez ses directives.
- Si vous ne pouvez communiquer avec votre distributeur de gaz, appelez le Service des incendies.

L'installation et la réparation de cet appareil doivent être effectuées par un installateur qualifié, un centre de service licencié ou le fournisseur de service du gaz.

## GUIDE SIMPLIFIÉ

### DISTANCES DE DÉGAGEMENT

- Emplacement d'installation: voir page 7-9.
- Dégagements minimum et d'entretien: voir p. 7.  
À noter: les codes locaux ont priorité.

### CONDUITES D'EAU

- Soupape de surpression: voir page 21 pour son orientation recommandée.
- Débits d'eau: voir page 19.

### GAZ

- Distance du régulateur (longueurs de tuyau) et diamètres: voir page 19.
- Pression requise pour le gaz naturel:  
min. = 3,5 po c.e. (dynamique); max. = 10,5 po c.e. (statique)
- Pression requise pour le propane:  
min. = 8,0 po c.e. (dynamique); max. = 13,0 po c.e. (statique)

- Un collecteur de sédiments est requis pour toutes les installations: voir page 18.

### PARAMÈTRES D'EAU

- Composition chimique de l'eau: voir page 5.

### ÉLECTRICITÉ

- Tension d'alimentation: voir page 25.

### VENTILATION

- Matériaux admissibles: voir pages 13, 15 et 16.

### MODULE DE COMMANDE

- Schémas de câblage: voir page 26.
- Interface utilisateur: voir page 27.
- Thermostat externe: voir page 36.

**La révision 7 inclut les changements suivants:** mise à jour du logo CSA sur la page couverture. Ajout d'un avertissement en français à la page 2. Ajout d'un avertissement en français dans la section "Codes d'installation". Ajout d'un avertissement en français dans la section "8.0 Instructions d'utilisation". Ajout d'un avertissement en anglais dans la section "Instructions d'utilisation et procédures d'arrêt". Ajout d'un avertissement en français dans la section "Instructions d'utilisation et procédures d'arrêt". Ajout d'une note et d'un code QR dans le tableau "Dépannage". Retrait de "Paramètres d'eau" des Figures 113 et 114. Ajout d'une note et d'un code QR dans la section « Écran Accessoires ». Ajout d'une note et d'un code QR dans la section "Sortie de contrôle auxiliaire". Ajout des Figures 132, 133 et 134, ainsi que du texte de soutien pour chacun.

# TABLEAU DES MATIÈRES

<b>1. AVERTISSEMENTS</b> .....	<b>4</b>	Menu programmation .....	<b>31</b>
Portez une attention particulière aux termes suivants .....	<b>4</b>	Verrouillage du module .....	<b>34</b>
Précautions générales .....	<b>5</b>	Statut et diagnostics.....	<b>34</b>
<b>2. PARAMÈTRES D'EAU</b> .....	<b>5</b>	Installation et fonctionnement d'un thermostat externe filaire.....	<b>36</b>
Chlorateurs et dispositifs d'alimentation automatique .....	<b>5</b>	Minuterie .....	<b>38</b>
<b>3. AVANT L'INSTALLATION</b> .....	<b>6</b>	<b>8. INSTRUCTIONS D'UTILISATION</b> .....	<b>43</b>
Réception de l'équipement.....	<b>6</b>	Avant la mise en marche.....	<b>43</b>
Homologations et certifications .....	<b>6</b>	Procédure de mise en marche .....	<b>43</b>
Altitude .....	<b>6</b>	<b>9. MAINTENANCE ET ENTRETIEN</b> .....	<b>46</b>
Alimentation électrique.....	<b>6</b>	Utilisation par temps froid.....	<b>46</b>
Température de l'air ambiant.....	<b>6</b>	<b>10. DÉPANNAGE</b> .....	<b>47</b>
<b>4. INSTALLATION</b> .....	<b>6</b>	Organigramme de dépannage .....	<b>48</b>
Codes d'installation .....	<b>7</b>	Organigramme de la logique de contrôle .....	<b>49</b>
Dégagements.....	<b>7</b>	<b>11. CONNECTIVITÉ WI-FI RAYMOTE</b> .....	<b>50</b>
Installation extérieure.....	<b>7</b>	Préparatifs avant la connexion.....	<b>50</b>
Air comburant et de ventilation.....	<b>10</b>	Ajouter un nouvel appareil sur Android .....	<b>51</b>
Ventilation directe (DV) et conduits d'apport d'air comburant .....	<b>10</b>	Ajouter un nouvel appareil sur iOS .....	<b>53</b>
Ventilation.....	<b>13</b>	iPhone 6 et versions antérieures.....	<b>54</b>
Raccordement du gaz.....	<b>18</b>	Configuration de l'appareil .....	<b>56</b>
Tableau des débits .....	<b>19</b>	<b>12. APPLI MOBILE RAYMOTE</b> .....	<b>58</b>
Assemblage ProTek Shield .....	<b>20</b>	Menu de l'appli mobile Raymote .....	<b>58</b>
Régulateur Unitherm .....	<b>20</b>	Sélection d'un appareil.....	<b>58</b>
Vanne de dérivation automatique interne.....	<b>21</b>	Mode automatisé.....	<b>59</b>
Vanne de dérivation auxiliaire externe .....	<b>21</b>	Écran Mode.....	<b>59</b>
Réglage de la vanne de dérivation auxiliaire .....	<b>21</b>	Écran Accessoires.....	<b>60</b>
Installation de la soupape de surpression.....	<b>21</b>	Réinitialisation Wi-Fi.....	<b>61</b>
Schéma de plomberie .....	<b>23</b>	Reconnexion au Wi-Fi.....	<b>61</b>
Inversion des raccords d'eau/de ventilation .....	<b>24</b>	<b>13. SORTIE DE CONTRÔLE AUXILIAIRE</b> .....	<b>64</b>
<b>5. CÂBLAGE ÉLECTRIQUE</b> .....	<b>24</b>	<b>14. PIÈCES DE RECHANGE</b> .....	<b>65</b>
Capacité électrique requise.....	<b>24</b>	<b>15. ILLUSTRATION DES PIÈCES</b> .....	<b>66</b>
Câblage du transformateur .....	<b>25</b>	<b>16. INSTRUCTIONS IMPORTANTES POUR LE COMMONWEALTH DU MASSACHUSETTS</b> ....	<b>75</b>
<b>6. SCHÉMA DE CÂBLAGE</b> .....	<b>26</b>	<b>17. GARANTIE</b> .....	<b>76</b>
<b>7. MODULE DE COMMANDE</b> .....	<b>27</b>		
Retrait du couvercle de l'appareil.....	<b>27</b>		
Réglages du module de commande .....	<b>27</b>		
Fonctionnement .....	<b>28</b>		
Menus d'entretien.....	<b>28</b>		

# 1. AVERTISSEMENTS

## Portez une attention particulière aux termes suivants

<b>⚠ DANGER</b>	Signale la présence de dangers immédiats qui causeront d'importants dommages matériels, de graves blessures ou la mort s'ils sont ignorés.
<b>⚠ AVERTISSEMENT</b>	Décrit des risques ou des pratiques non sécuritaires qui causeront d'importants dommages matériels, de graves blessures ou la mort s'ils sont ignorés.
<b>⚠ ATTENTION</b>	Décrit des risques ou des pratiques non sécuritaires qui causeront des dommages matériels, des blessures mineures ou endommageront le produit s'ils sont ignorés.
<b>ATTENTION</b>	ATTENTION utilisé sans le symbole d'alerte décrit une condition potentiellement dangereuse qui pourrait causer des dommages matériels, des blessures mineures ou endommager le produit si elle est ignorée.
<b>NOTE</b>	Décrit d'importantes instructions spéciales relatives à l'installation, l'utilisation ou l'entretien, mais qui ne risquent pas de causer de blessures.

**⚠ AVERTISSEMENT:** afin de minimiser les risques de dysfonctionnement, de graves blessures, d'incendie ou d'endommagement de la chaudière:

- Gardez les environs de la chaudière libre de toute matière combustible, d'essence, de tout autre liquide ou vapeurs inflammables.
- L'appareil ne doit jamais être couvert et il ne faut jamais restreindre son apport d'air frais.

**⚠ AVERTISSEMENT:** la chambre de combustion de cet appareil est isolée avec de la fibre céramique réfractaire. Cette fibre ne contient pas de silice cristalline inhalable. Cependant, à la suite d'une exposition prolongée à des températures très élevées [plus de 2192°F (1200°C)], cette fibre peut se transformer en silice cristalline (cristabolite). Le Centre international de recherche sur le cancer (CIRC) estime que l'inhalation de silice cristalline (cristabolite) est cancérigène pour l'homme.

Lors du retrait du brûleur ou de l'échangeur de chaleur, évitez de soulever de la poussière et d'inhaler d'éventuelles fibres en suspension dans l'air. Pour balayer un dégât, utilisez un balai humide ou un aspirateur muni d'un filtre à haute efficacité (HEPA) pour minimiser la mise en suspension de poussière dans l'air. Utilisez des techniques de contrôle de la poussière, comme l'utilisation d'un ventilateur d'extraction dans la pièce ou d'un système de collecte de la poussière pour minimiser la mise en suspension de poussière. Portez un équipement de protection individuelle approprié, y compris des gants, des lunettes de sécurité à protecteurs latéraux et une protection respiratoire certifiée NIOSH appropriée, afin d'éviter l'inhalation de poussière et de particules de fibres en suspension dans l'air.

**⚠ AVERTISSEMENT:** une installation, un réglage, une modification ou un entretien inadéquat peut causer des dommages matériels, des blessures ou la mort. L'installation et la réparation de cet appareil doivent être effectuées par un installateur qualifié, un centre de service licencié ou le fournisseur de service du gaz.

**⚠ AVERTISSEMENT:** la manutention d'essence ou de tout autre produit ou liquide inflammable (adhésifs, solvants, diluant, etc.), ou leurs dégagements de vapeurs inflammables sont extrêmement dangereux. **NE PAS** utiliser ou entreposer d'essence ni aucune autre matière inflammable ou combustible à proximité de l'appareil.

**⚠ AVERTISSEMENT:** une substance odoriférante est ajoutée au gaz naturel et au propane afin de faciliter la détection d'une éventuelle fuite. Certaines personnes ne reconnaissent pas cette odeur ou leur odorat ne fonctionne pas. Si cette odeur ne vous est pas familière, veuillez consulter votre fournisseur de gaz. En certaines circonstances cette odeur peut perdre son intensité, ce qui rend plus difficile la détection d'une fuite de gaz.

**⚠ AVERTISSEMENT:** il est recommandé d'installer un avertisseur de gaz naturel ou de propane homologué UL dans les lieux où une concentration explosive de gaz pourrait s'accumuler; veuillez l'installer en conformité avec les recommandations de leur fabricant et les exigences de la réglementation locale.

**⚠ AVERTISSEMENT:** ne pas installer à moins de 3 pieds (0,9 m) d'une pompe à chaleur ou d'une unité de condensation extérieure. Ce type d'équipement peut tirer un fort débit d'air et perturber la combustion dans l'appareil, ce qui pourrait causer des dommages ou des blessures.

**⚠ AVERTISSEMENT:** l'appareil ne doit pas être installé dans un lieu où des gicleurs ou d'autres dispositifs peuvent pulvériser de l'eau à travers les grilles à lattes et dans l'appareil. Cela pourrait entraîner la formation de corrosion ou endommager les composants électriques, causant ainsi des dommages non couverts par la garantie.

## Précautions générales

De l'eau chauffée constitue une source de danger. La Commission américaine sur la sécurité des produits de consommation (CPSC) émet les directives suivantes:

1. La température de l'eau d'un spa ne doit jamais dépasser 40°C (104°F). Une température de 38°C (100 °F) est considérée sécuritaire pour un adulte en bonne santé. Portez une attention particulière aux jeunes enfants.
2. La consommation de boissons alcoolisées avant ou pendant l'utilisation d'un spa peut entraîner de la somnolence qui pourrait causer une perte de conscience et par la suite une noyade.
3. Avis aux femmes enceintes! L'immersion dans de l'eau chauffée à plus de 39°C (102°F) peut causer des lésions foetales pendant les trois premiers mois de la grossesse, comme des dommages cérébraux ou des difformités physiques. Les femmes enceintes ne devraient pas s'immerger dans de l'eau chauffée à plus de 38°C (100°F).
4. Avant d'entrer dans un spa, chaque utilisateur doit vérifier la température de l'eau à l'aide d'un thermomètre précis; la température indiquée par le thermostat intégré d'un spa peut varier de jusqu'à 2,2°C (4°F) de la valeur réelle.
5. Les personnes ayant les antécédents médicaux suivants: maladies cardiaques, problèmes circulatoires, diabète ou haute tension artérielle doivent obtenir l'avis d'un médecin avant d'utiliser un spa ou un bain à remous.
6. Les personnes qui consomment des médicaments qui induisent la somnolence, comme des tranquillisants, antihistaminiques ou anticoagulants, ne devraient pas se baigner dans un spa.

## 2. PARAMÈTRES D'EAU

**NOTE: le contact avec de l'eau corrosive annule toute garantie.**

Un déséquilibre chimique peut gravement endommager la thermopompe et tout équipement qui y est raccordé. Maintenez les paramètres d'eau comme décrit au **Tableau A**. Si les teneurs en minéraux et en solides dissous dans l'eau sont supérieures aux valeurs recommandées, il se formera du tartre dans les tubes de l'échangeur de chaleur, cela réduira l'efficacité de la thermopompe et l'endommagera. Si le pH de l'eau est inférieur à 7,2, cela entraînera la corrosion de l'échangeur de chaleur et endommagera gravement la thermopompe. **Les**

Valeur recommandée	Piscine fibre verre	Spa fibre de verre	Autres pisc./spas
Température	20-31°C (68-88°F)	31-40°C (89-104°F)	20-40°C (68-104°F)
pH	7,3-7,4	7,3-7,4	7,6-7,8
Alcalinité totale (ppm)	120-150	120-150	80-120
Dureté calcaire (ppm)	200-300	150-200	200-400
Sel (ppm)	4500 max.	4500 max.	4500 max.
Chlore libre (ppm)*	2-3	2-3	2-3
Matières tot. dissoutes (ppm)	3000 max.**	3000 max.**	3000 max.**

\*La concentration de chlore libre **NE DOIT PAS EXCÉDER 5 ppm!**

\*\*Dans les piscines chlorées au sel, la TDS peut atteindre 6000 ppm.

**APPROVED** dommages causés à l'échangeur de chaleur résultant d'un déséquilibre chimique ne sont pas couverts par la garantie.

Pour votre santé et la protection de l'équipement de votre piscine, il est essentiel que votre eau soit chimiquement équilibrée. Voici les valeurs correspondant à une eau équilibrée.

**ATTENTION: la concentration de chlore libre ne peut être supérieure à 5 ppm, car cela peut causer des dommages non couverts par la garantie.**

- L'administration d'un traitement-choc occasionnel à l'eau de la piscine ou du spa ne devrait pas endommager la thermopompe lorsque la composition chimique de l'eau est équilibrée.
- Les distributeurs automatiques de produits chimiques et les chlorateurs au sel sont généralement plus efficaces dans l'eau chauffée; ils doivent être bien réglés car une concentration excessive de chlore qui peut endommager l'appareil.
- Un clapet anti-retour doit être installé entre la sortie de l'appareil et un chlorateur ou tout autre distributeur de produits chimiques.
- Veuillez obtenir des conseils supplémentaires auprès du fabricant de votre piscine ou spa, d'un détaillant autorisé de piscines ou du fabricant des produits chimiques pour connaître les valeurs d'équilibre de votre eau.

## Chlorateurs et autres distributeurs automatiques

Les produits chimiques doivent être entièrement dilués avant d'être recirculés dans l'appareil. Ne versez jamais de produits chimiques désinfectants dans l'écumoire, car cela peut entraîner la formation d'une concentration élevée de produits chimiques lorsque la pompe ne fonctionne pas (ex.: la nuit).

Le chlorateur doit se déverser en aval de l'appareil et doit être muni d'un dispositif anti-siphonnage ou d'un clapet anti-retour pour empêcher le refoulement de produits chimiques dans l'appareil lors de l'arrêt de la pompe de l'appareil. Voir "**Schéma de plomberie**" à la page 23.

**NOTE: la présence d'une concentration élevée de produits chimiques, notamment causée par le dérèglement d'un distributeur automatique, entraînera une corrosion rapide de l'échangeur de chaleur. Ces dommages ne sont pas couverts par la garantie.**

## 3. AVANT L'INSTALLATION

### Réception de l'équipement

Le fabricant recommande fortement de lire attentivement ce manuel avant d'entreprendre l'installation de l'appareil. Pour toute question sans réponse dans le manuel, veuillez joindre le fabricant ou votre représentant local.

À la réception de l'appareil, il est suggéré d'inspecter la caisse d'expédition afin de détecter d'éventuels dommages. Si la caisse est endommagée, ajoutez une note à cet effet sur le connaissance, avant de signer le bon de réception. Retirez l'appareil de la caisse. Signalez immédiatement tout dommage au transporteur. Conservez la caisse.

Articles dans la caisse d'expédition de l'appareil:

#### Appareil standard

1. (2) Embouts CPVC 2 po
2. (2) Raccords CPVC 2 po
3. (2) Joints toriques
4. (1) Adaptateur 120 V pour ventilateur
5. (1) Harnais de câble 3 fils pour thermostat externe
6. (1) Harnais auxiliaire
7. (1) Guide de démarrage Raymote

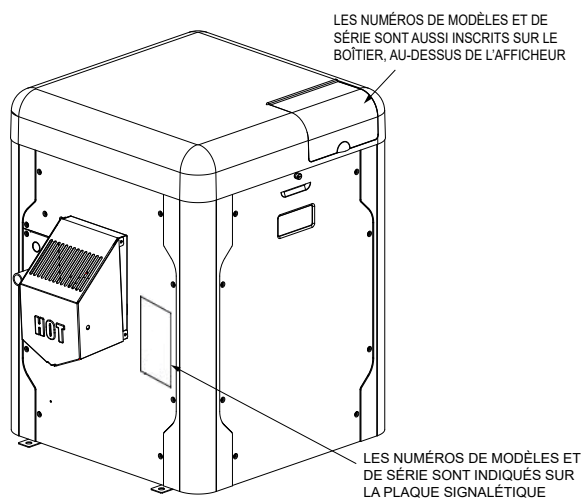


Figure 1. Plaque signalétique

Assurez-vous de recevoir le bon nombre de colis, tel qu'indiqué sur le connaissance.

### Homologations et certifications

Ces appareils sont conçus et testés selon les plus récentes exigences de la norme ANSI Z21.56/ CSA 4.7 pour les chauffe-piscine à gaz. Cet appareil est également certifié selon SCAQMD 1146.2 et SJVAPCD, Rule 4308. Cet appareil peut être utilisé à l'extérieur ou à l'intérieur lorsqu'il est ventilé de manière appropriée. Voir la section **Ventilation à la p.13** pour plus d'information. Le couvercle d'évacuation désigné pour chaque type d'utilisation doit être installé.

## APPROVED Altitude

**NOTE:** cet appareil est approuvé pour une installation jusqu'à une altitude de 4 500 pi, selon CAN/CGA-2.17-M91.

Les valeurs nominales de fonctionnement restent les mêmes jusqu'à une altitude de 4 500 pi (1 372 m).

### Alimentation électrique

Nécessite une alimentation 120 ou 240 VCA, 1 pH, 60 Hz. Ne pas raccorder à une alimentation 50 Hz.

### Température de l'air ambiant

#### Cotes de température des composants

-35°C à 79°C (-32°F à 175°F).

## 4. INSTALLATION

**⚠ AVERTISSEMENT:** la chambre de combustion de cet appareil est isolée avec de la fibre céramique réfractaire. Cette fibre ne contient pas de silice cristalline inhalable. Cependant, à la suite d'une exposition prolongée à des températures très élevées [plus de 2192°F (1200°C)], cette fibre peut se transformer en silice cristalline (cristaboliite). Le Centre international de recherche sur le cancer (CIRC) estime que l'inhalation de silice cristalline (cristaboliite) est cancérigène pour l'homme.

Lors du retrait du brûleur ou de l'échangeur de chaleur, évitez de soulever de la poussière et d'inhalier d'éventuelles fibres en suspension dans l'air. Pour balayer un dégât, utilisez un balai humide ou un aspirateur muni d'un filtre à haute efficacité (HEPA) pour minimiser la mise en suspension de poussière dans l'air. Utilisez des techniques de contrôle de la poussière, comme l'utilisation d'un ventilateur d'extraction dans la pièce ou d'un système de collecte de la poussière pour minimiser la mise en suspension de poussière. Portez un équipement de protection individuelle approprié, y compris des gants, des lunettes de sécurité à protecteurs latéraux et une protection respiratoire certifiée NIOSH appropriée, afin d'éviter l'inhalation de poussière et de particules de fibres en suspension dans l'air.

**NOTE IMPORTANTE:** Les présentes instructions sont destinées à des personnes qualifiées, spécialement formées et expérimentées dans l'installation et l'entretien de ce type d'appareil et de ses composantes connexes. Dans certaines régions, les techniciens d'entretien pour ce type d'équipement doivent détenir une licence. Si c'est le cas dans votre région, assurez-vous que votre entrepreneur détient la licence appropriée. Les personnes non qualifiées ne doivent pas tenter de réparer l'appareil ni d'effectuer les réparations décrites au présent manuel.



**⚠ AVERTISSEMENT:** une installation, un réglage, une altération, un entretien ou une maintenance inappropriés peuvent endommager l'équipement et créer un risque pouvant causer une asphyxie, une explosion, un incendie, ou des dommages non couverts par la garantie.

## Codes d'installation

L'installation doit être conforme aux exigences des codes locaux ou, en l'absence de codes locaux, à la plus récente édition du National Fuel Gas Code, ANSI Z223.1/NFPA54 et du National Electrical Code, ANSI/NFPA 70, et au Canada, à la plus récente édition des Codes d'installation CSA-B149 et du Code canadien de l'électricité, CSA C22.1, parties 1 et 2.

**⚠ AVERTISSEMENT:** Cet appareil doit être installé conformément aux exigences du National Fuel gas Code ANSI Z223.1 et à celle de toute autorité compétente.

## Dégagements

### Tous les modèles

Pour les dégagements aux surfaces combustibles, à l'intérieur comme à l'extérieur, voir Tableau B ci-dessous.

Emplacement d'installation	Installation intérieure
Dessus	Dégagé
Avant	0 po (0 mm)
Plancher	0 po (0 mm)
Arrière	0 po (0 mm)
Côté droit	3 po (76 mm) du panneau - Côté eau
Côté gauche	3 po (76 mm) du panneau - Côté ventilation

Emplacement d'installation	Installation extérieure
Dessus	Dégagé
Avant	0 po (0 mm)
Plancher	0 po (0 mm)
Arrière	0 po (0 mm)
Côté droit	3 po (76 mm) du panneau - Côté eau
Côté gauche	6 po (152 mm) du couvercle d'évacuation

Tableau B. Dégagements minimum aux matières combustibles

Pour faciliter l'entretien, nous recommandons un dégagement d'au moins 24" (610 mm) pour les côtés gauche et droit, ainsi qu'au-dessus. Cela permettra à l'appareil d'être entretenu sans désinstallation de composants.

Une installation avec des dégagements d'entretien inférieurs au minimum pourrait forcer la désinstallation de l'appareil lors d'un entretien de l'échangeur de chaleur ou du brûleur. De plus, l'appareil doit être installé de manière à permettre son entretien sans qu'il ne soit nécessaire de déplacer d'autres appareils installés à proximité.

## Revêtement de sol

Cet appareil peut être installé sur un plancher combustible.

## Installation extérieure

Ces appareils de chauffage sont conçus et certifiés pour une installation extérieure, lorsqu'ils sont équipés du couvercle d'évacuation désigné pour une utilisation extérieure.

**⚠ AVERTISSEMENT:** l'appareil ne doit pas être installé dans un lieu où des gicleurs ou d'autres dispositifs peuvent pulvériser de l'eau à travers les grilles à lattes et dans l'appareil. Cela pourrait entraîner la formation de corrosion ou endommager les composants électriques, causant ainsi des dommages non couverts par la garantie.

**⚠ AVERTISSEMENT:** ne pas installer à moins de 3 pieds (0,9 m) d'une pompe à chaleur ou d'une unité de condensation extérieure. Ce type d'équipement peut tirer un fort débit d'air et perturber la combustion dans l'appareil, ce qui pourrait causer des dommages ou des blessures.

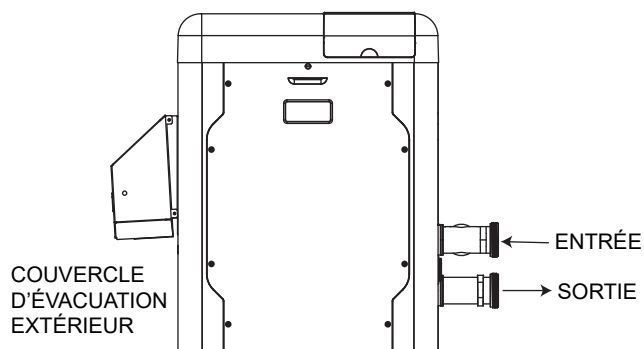
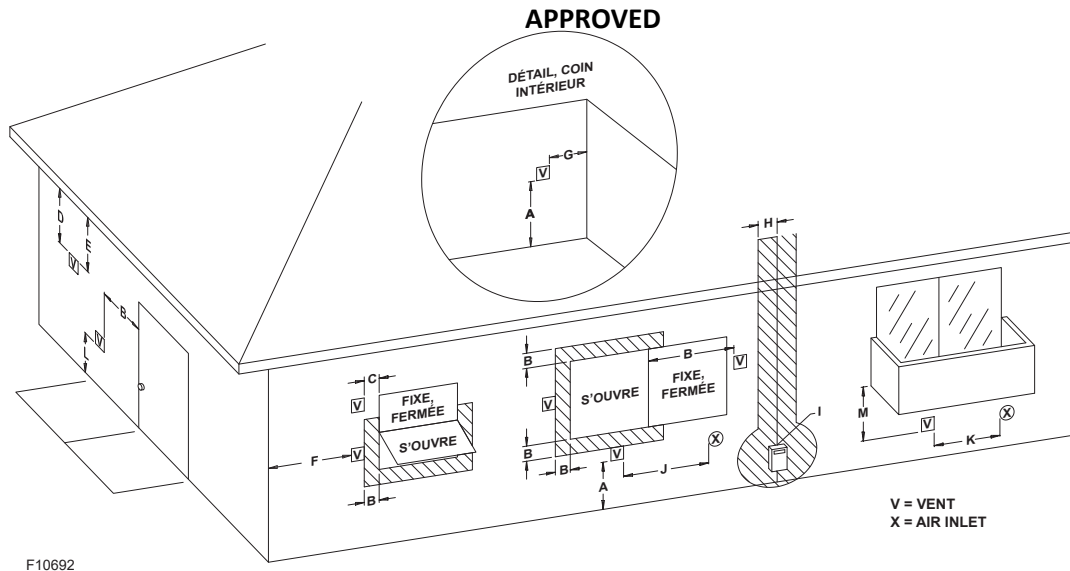


Figure 2. Devant de l'appareil Dégagements des terminaisons d'apport d'air et d'évacuation



**Figure 3. Dégagements minimum aux matières combustibles, terminaisons d'apport d'air et d'évacuation – Installation intérieure ou extérieure**

		Installation aux États-Unis <sup>1</sup>	Installation au Canada <sup>2</sup>
A	Dégagement au-dessus du sol, d'une véranda, d'un porche, d'une terrasse ou d'un balcon.	1' (30 cm)	1' (30 cm)
B	Dégagement autour des fenêtres ou des portes qui peuvent être ouvertes.	4' (1,2 m) au-dessous ou à côté d'une ouverture	3' (914 mm)
C	Dégagement d'une fenêtre qui ne s'ouvre pas	*	*
D	Dégagement vertical sous un soffite ventilé, si le centre de la terminaison est situé à une distance horizontale moindre que 2' (610 mm).	5' (1,5 m)	*
E	Dégagement de tout soffite non ventilé	*	*
F	Dégagement de tout coin extérieur	*	*
G	Dégagement de tout coin intérieur	6' (1,83 m)	*
H	Dégagement de chaque côté d'une ligne passant par le centre d'un compteur ou du régulateur d'abonné.	*	3' (914 mm) de dégagement horizontal d'un compteur ou d'un régulateur, jusqu'à une hauteur de 15' (4,57 m).
I	Dégagement de la soupape de décharge du régulateur d'abonné.	*	6' (1,83 m)
J	Dégagement d'une prise d'air non-mécanique d'un bâtiment ou d'une prise d'air comburant de tout autre appareil.	4' (1,2 m) au-dessous ou à côté de l'ouverture; 1" (305 mm) au-dessus de l'ouverture	3' (914 mm)
K	Dégagement de toute prise d'air mécanique	3' (914 mm) au-dessus, si à moins de 10 pi (3 m) horizontalement	6' (1,83 m)
L	Ne pas se terminer au-dessus d'un trottoir imperméable ou d'une allée imperméable	Risque de chute dû au gel de la condensation	Risque de chute dû au gel de la condensation
M	Dégagement sous une véranda, un porche, une terrasse ou un balcon	*	1' (30 cm) <sup>†</sup>

<sup>1</sup> Conformément à l'édition en vigueur de ANSI Z223,1/NFPA 54, National Fuel Gas Code.

<sup>2</sup> Conformément à l'édition en vigueur de CSA B149, Code d'installation du gaz naturel et du propane.

<sup>†</sup> Uniquement permis si la véranda, le porche, la terrasse ou le balcon est entièrement ouvert sur au moins deux côtés, sous le niveau du plancher et au-dessus de la terminaison, et si la hauteur libre sous la véranda, le porche, la terrasse ou le balcon est supérieure à 1 pi (30 cm).

\* Les dégagements doivent respecter les exigences des codes d'installation locaux et celles du fournisseur du service du gaz.



Description	Emplacement d'installation	Distance po (mm)
a. Murs de maçonnerie de 89 mm (3-1/2 po) d'épaisseur avec ventilation	Arrière	9 (229)
	Droite	9 (229)
	Gauche	9 (229)
	Évac.	5 (127)
	Dessus (int.)	39 (991)
b. Panneau isolant de 1/2" (13 mm) sur 1" (25 mm) d'isolant en fibres de verre ou laine minérale	Arrière	6 (152)
	Droite	6 (152)
	Gauche	6 (152)
	Évac.	3 (76)
	Dessus (int.)	30 (762)
c. Feuille métallique 0,024 sur 1" (25 mm) d'isolant en fibres de verre ou laine minérale avec ventilation	Arrière	4 (102)
	Droite	4 (102)
	Gauche	4 (102)
	Évac.	3 (76)
	Dessus (int.)	24 (610)
d. Murs de maçonnerie de 89 mm (3-1/2 po) d'épaisseur avec ventilation	Arrière	6 (152)
	Droite	6 (152)
	Gauche	6 (152)
	Évac.	6 (152)
	Dessus (int.)	39 (991)
e. Feuille métallique 0,024 avec ventilation	Arrière	4 (102)
	Droite	4 (102)
	Gauche	4 (102)
	Évac.	2 (51)
	Dessus (int.)	24 (610)
f. Panneau isolant de 13 mm (1/2 po) d'épaisseur avec ventilation	Arrière	4 (102)
	Droite	4 (102)
	Gauche	4 (102)
	Évac.	3 (76)
	Dessus (int.)	24 (610)
g. Feuille métallique 0,024 avec ventilation sur feuille métallique 0,024.	Arrière	4 (102)
	Droite	4 (102)
	Gauche	4 (102)
	Évac.	3 (76)
	Dessus (int.)	24 (610)
h. 25 mm (1 po) de fibres de verre ou de laine minérale entre deux feuilles de tôle 0,024 avec ventilation	Arrière	4 (102)
	Droite	4 (102)
	Gauche	4 (102)
	Évac.	3 (76)
	Dessus (int.)	24 (610)
	Dessus (ext.)	Dégagé

Tiré du National Fuel Gas Code, Tableau 10.2.3

**Tableau D. Réduction des dégagements par rapport aux surfaces protégées**

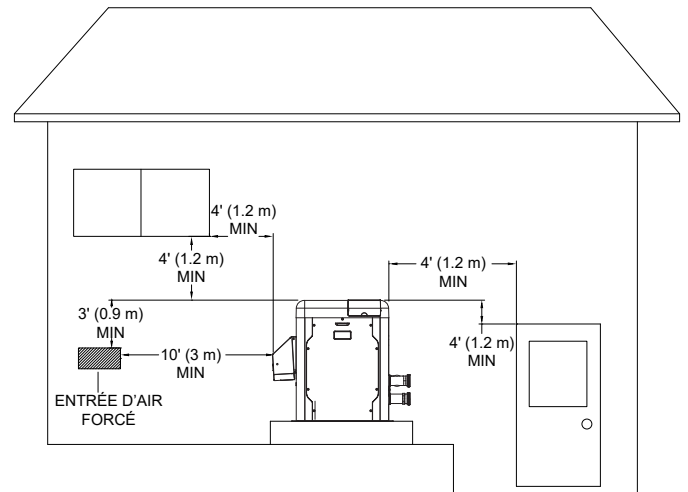
L'appareil ne doit pas être installé sous un surplomb de toit situé à moins de 3 pi (0,9 m) du haut de l'appareil. Sous un surplomb de toit, la chaudière doit être exposée sur trois de ses côtés. L'appareil doit être protégé contre toute eau pouvant s'écouler du toit, grâce à des gouttières.

**Installation aux États-Unis:** le point d'où les produits de combustion sont évacués de l'appareil doit se trouver à au moins 4 pi (1,2 m) au-dessous, 4 pi (1,2 m) horizontalement ou de 1 pi (0,3 m) au-dessus d'une porte, d'une fenêtre ou d'une ouverture d'air gravitaire d'un bâtiment. La surface supérieure de l'appareil doit se trouver à au moins 3 pi (0,9 m) au-dessus de toute entrée d'air forcée ou de conduits d'admission situés à moins de 10 pi (3 m) horizontalement.

**Installation au Canada:** l'appareil ne doit pas être installé de façon à ce que la partie supérieure du conduit d'évacuation se trouve à moins de 10 pi (3 m) au-dessous, ou de chaque côté, d'une ouverture d'un bâtiment. Reportez-vous à la plus récente édition de la norme CAN/CSA-B149.

Un minimum de 6 pi (1,8 m) est requis entre l'appareil et l'angle entrant d'un mur.

**Installation en Floride et au Texas:** doit être conforme aux exigences des codes du bâtiment de la Floride ou du Texas. Suivez les instructions de la **Figure 5** pour l'installation de supports anti-ouragan.



**Figure 4. Dégagements**

### Installation intérieure

Au Canada: une installation intérieure peut uniquement être effectuée une enceinte qui n'est pas occupée et qui ne communique pas directement avec une zone occupée. Reportez-vous à la plus récente édition de la norme CAN/CSA-B149 pour plus de détails. Positionnez l'appareil aussi près que possible d'une cheminée ou d'un conduit d'évacuation. L'appareil doit toujours être ventilé à l'extérieur du bâtiment. Lire la section **Ventilation à la p.13** pour plus de détails. Les dégagements sont indiqués sur la plaque signalétique.

## Air comburant et de ventilation

### Installation intérieure seulement

L'appareil doit être alimenté en air comburant et de ventilation. Les volumes minimaux sont décrits dans la plus récente édition du National Fuel Gas Code U.S. ANSI Z223.1 (CSA-B149 au Canada), ainsi que dans tout code local applicable. L'approche la plus courante est la méthode à "2 ouvertures"; l'ouverture d'air comburant se trouvant à au plus 12" (305 mm) du sol et l'ouverture de ventilation à moins de 12" (305 mm) du plafond. Pour connaître la taille des ouvertures pour cette méthode, voir ci-dessous.

#### Air tiré de l'intérieur du bâtiment:

Chaque ouverture doit avoir une surface nette minimale, comme indiqué:

Modèle	po <sup>2</sup> (m <sup>2</sup> )
264	264 (0,17)
404	399 (0,26)

Tableau E. Surface nette minimale des ouvertures - Air intérieur

#### Air tiré de l'extérieur du bâtiment:

Lorsque l'air est tiré directement de l'extérieur du bâtiment, chaque ouverture doit avoir une surface nette minimale comme indiqué:

Modèle	Ouverture libre po <sup>2</sup> (m <sup>2</sup> )	Ouverture grillagée ou à lattes po <sup>2</sup> (m <sup>2</sup> )	Ouverture grillagée et à lattes po <sup>2</sup> (m <sup>2</sup> )
264	66 (0.04)	99 (0.06)	132 (0.09)
404	100 (0.06)	150 (0.1)	200 (0.13)

Tableau F. Surface nette minimale des ouvertures - Air extérieur

**ATTENTION:** l'air comburant ne doit pas être contaminé par des vapeurs corrosives pouvant causer à l'appareil des dommages non couverts par la garantie. De tels dommages ne sont pas couverts par la garantie.

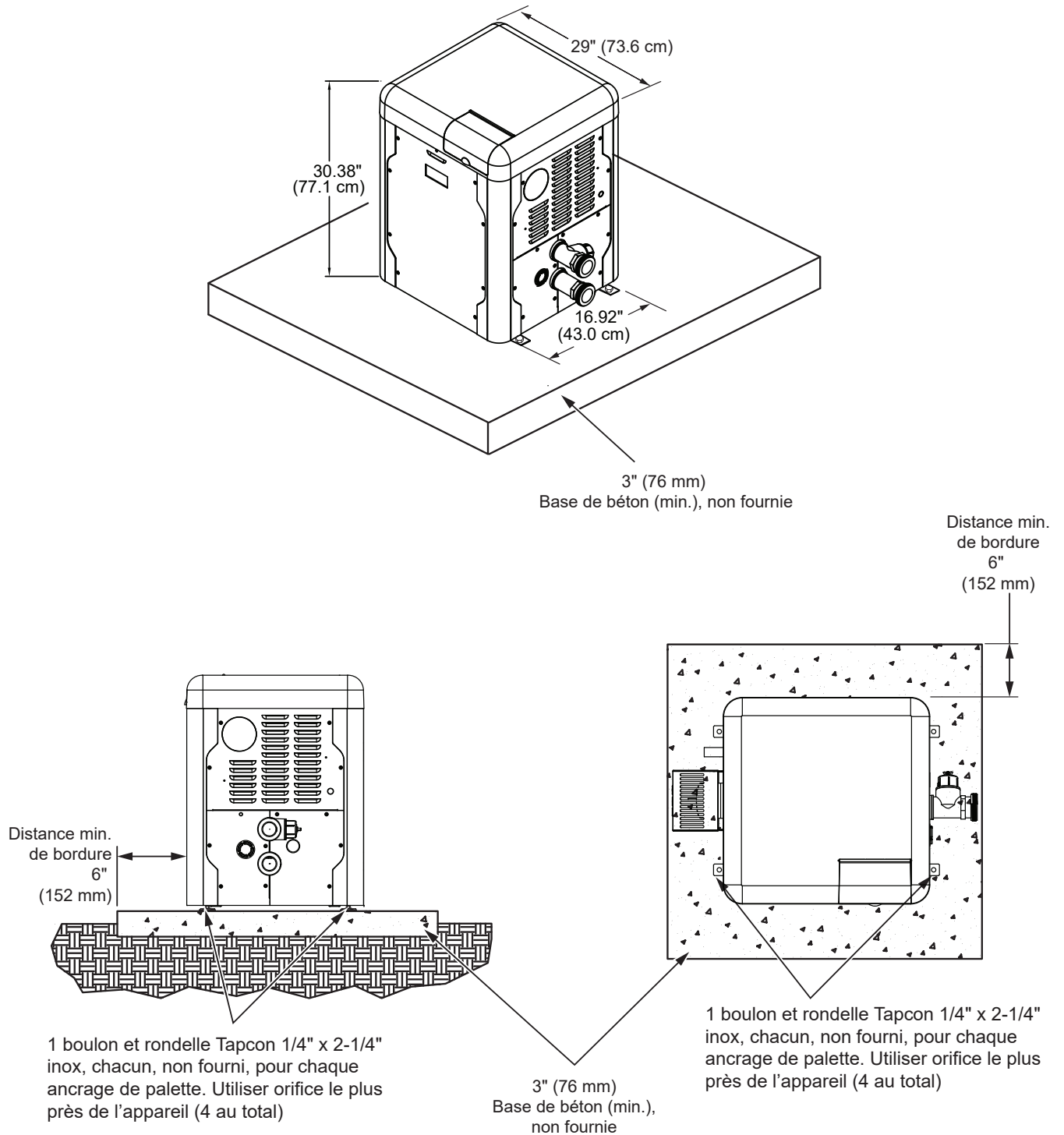
## Ventilation directe (DV) et conduits d'apport d'air comburant

Si l'air comburant extérieur est directement acheminé à l'appareil par un conduit:

- Retirez le couvercle grillagé et raccordez le conduit d'air comburant à l'appareil au raccord d'admission d'air. Étanchéifiez le conduit d'air comburant à l'adaptateur en PVC existant. Fixez-le en place à l'aide de colle ou de vis. Le couvercle grillagé qui a été retiré doit être réutilisé à l'extrémité du conduit d'apport d'air. Installez le conduit d'air comburant conformément à la **Figure 11** ou **Figure 12** du présent manuel.
- La pièce dans laquelle est installé l'appareil doit être bien ventilée par une ou plusieurs ouvertures de ventilation se trouvant au point le plus élevé communiquant avec l'extérieur.
  - Aux États-Unis, ces ouvertures doivent avoir une section libre d'au moins 1 po<sup>2</sup> par 20 000 BTU/h (111 mm<sup>2</sup> par kW) pour la puissance nominale totale de tous les équipements de la pièce, lorsque l'ouverture communique directement avec l'extérieur ou par l'entremise de conduits verticaux. Ces ouvertures doivent avoir une section libre d'au moins 1 po<sup>2</sup> par 10 000 BTU/h (222 mm<sup>2</sup> par kW) pour la puissance nominale totale de tous les équipements de la pièce, lorsque l'ouverture communique directement avec l'extérieur par l'entremise de conduits horizontaux.
  - Au Canada, il doit y avoir une ou plusieurs ouvertures permanentes d'alimentation en air ayant une section libre d'au moins 1 po<sup>2</sup> par 30 000 BTU/h (70 mm<sup>2</sup> par kW) pour la puissance nominale totale de tous les équipements de la pièce. Ces ouvertures doivent être positionnées de façon à ne pas être obstruées.
- Dans les climats froids, pour atténuer le risque de gel, Raypak recommande fortement l'installation d'un registre automatique pour empêcher la circulation d'air froid à travers l'appareil, lorsqu'il est à l'arrêt.

**APPROVED**

**Code du bâtiment de la Floride et du Texas:  
Vitesse du vent = 180 mi/h, rafale de 3 secondes  
Exposition = C**



**Figure 5. Installation de supports anti-ouragan  
UNCONTROLLED DOCUMENT IF PRINTED**

Dimensions et poids

Ampérage	
120 VCA, 1 Ph, 60 Hz	240 VCA, 1 Ph, 60 Hz
1,6 A	1,2 A

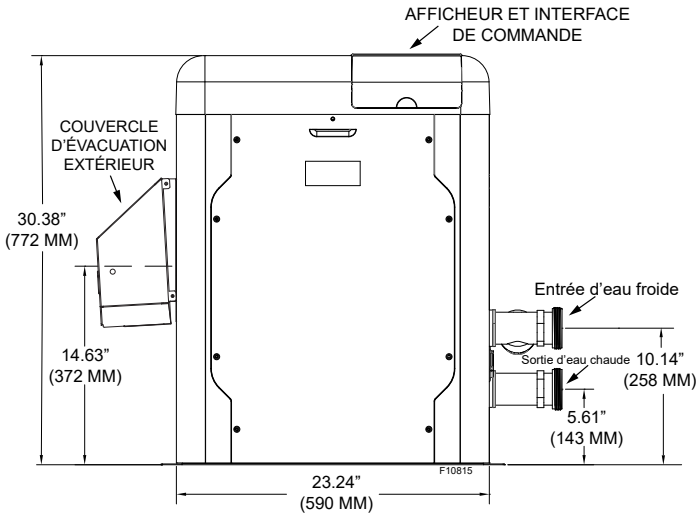


Figure 6. Vue avant

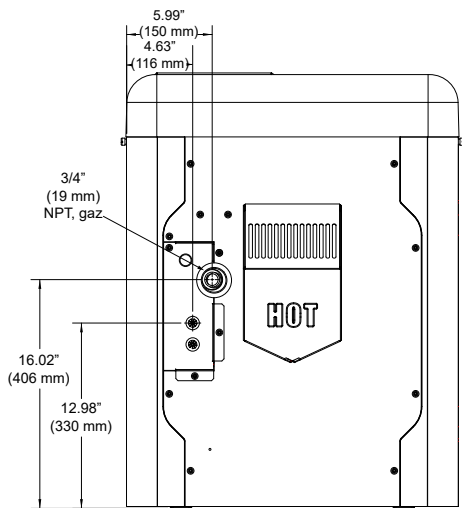


Figure 7. Vue de gauche avec distances de connexion du gaz et de l'électricité

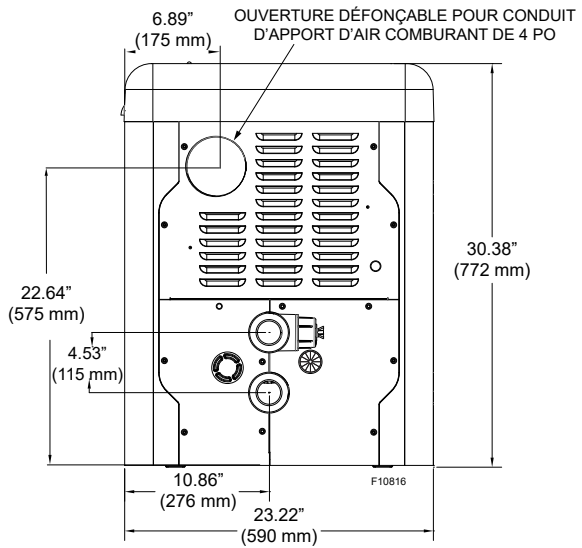


Figure 8. Vue de droite

**AVERTISSEMENT:** le Commonwealth of Massachusetts exige que les appareils de chauffage ventilés à travers le mur installés dans une habitation, un bâtiment ou une structure utilisés en tout ou en partie à des fins résidentielles, soient installés selon les dispositions spéciales décrites à la page 50 du présent manuel.

N° modèle	Puis. BTU/h (kW)	Dia. évac. po (mm)	Raccord d'eau po (mm)	Poids à l'expédition - lb (kg)
				Modèle standard
264	264 (77,4)	4 (101,6)	2 (51)	135 (61,2) +20 (9) emballage
404	399 (116,9)			

Tableau G. Dimensions et poids de l'appareil

## Ventilation

**ATTENTION:** l'installation appropriée du conduit d'évacuation est essentielle au fonctionnement sûr et efficace de l'appareil.

**NOTE:** pour plus d'informations sur la catégorisation des appareils, consultez la norme ANSI Z21,13 appropriée et le code NFGC (É.-U.) ou le B149.1 (Canada), ou les codes locaux applicables.

### Généralités

#### Catégories d'appareils

Les appareils de chauffage sont divisés en quatre catégories, en fonction de la pressurisation des gaz de combustion et de la production de condensation.

**Catégorie I** – Appareil qui fonctionne avec une pression statique au conduit d'évacuation non positive et avec une perte par les gaz de combustion d'au moins 17%.

**Catégorie II** – Appareil qui fonctionne avec une pression statique au conduit d'évacuation non positive et avec une perte par les gaz de combustion de moins de 17 %.

**Catégorie III** – Appareil qui fonctionne avec une pression statique au conduit d'évacuation positive et avec une perte par les gaz de combustion d'au moins 17%.

**Catégorie IV** – Appareil qui fonctionne avec une pression statique au conduit d'évacuation positive et avec une perte par les gaz de combustion de moins de 17%.

Voir **Tableau H** pour les exigences relatives à chaque catégorie d'appareils.

**AVERTISSEMENT:** communiquez avec le fabricant des tuyaux de ventilation pour toute question relative à la catégorisation de l'appareil et à la conformité d'un matériau de ventilation avec un appareil de Catégorie I. La réalisation d'un système de ventilation avec des matériaux inappropriés peut causer des dommages matériels, de graves blessures ou la mort.

Description (Terminations)	Fabricant	N° modèle du fabricant
Évacuation murale	Duravent	FSTB4
Té horizontal	Duravent	FSTT4
Té horizontal	Z-Flex	2SVSTTF04
Solin mural avec registre	Duravent	PRTFSWTT4
Coude 90°	Z-Flex	2SVSTEX0490
D15 - Chapeau horizontal vertical	Raypak	014289

Tableau I. Terminaisons d'évacuation

Alimentation d'air comburant	Configuration d'évacuation	Catégorie d'appareil	Matériaux évac. certifiés	Matériaux apport d'air
Tiré de l'intérieur du bâtiment	Ventilation verticale	I ventilateur	B-Vent équivalent	
	Ventilation murale	III	UL 1738 Conduit métallique (comme AL29-4C)	
De l'extérieur du bâtiment (ventilation directe (DV) ou conduits d'apport d'air comburant)	Ventilation verticale avec conduits d'apport d'air comburant	I Compensation	B-Vent équivalent	Acier galvanisé, PVC, ABS, CPVC
	Verticale Ventilation directe (DV)	III	UL 1738 Conduit métallique (comme AL29-4C)	
	Horizontale Ventilation directe (DV)	III	UL 1738 Conduit métallique (comme AL29-4C)	

Tableau H. Exigences de ventilation, catégorie IV

**Note:** utiliser Duravent FSAU4 comme adaptateur de ventilation.

## Support du système de ventilation

Le poids des conduits de ventilation ou de la cheminée ne doit pas reposer sur le raccord d'évacuation de l'appareil. Le système de ventilation doit être supporté conformément aux exigences des codes applicables. Les conduits doivent aussi respecter les distances de dégagements applicables aux matériaux combustibles. Utilisez des entretoises isolées pour conduit d'évacuation lorsque celui-ci passe à travers un toit ou un mur combustible.

## Emplacement des terminaisons

1. La condensation peut geler sur la terminaison d'évacuation et former un bouchon pouvant empêcher le bon fonctionnement du système.
2. Inspectez attentivement les environs de la terminaison d'évacuation pour éliminer tout risque de dommages matériels ou de blessures.
3. La terminaison d'évacuation peut émettre un panache de vapeur en hiver. Cette vapeur peut former du frimas sur une fenêtre si la terminaison est installée trop près.
4. Par temps froid et dans des conditions favorables de vent, la vapeur émise par la terminaison d'évacuation peut se déposer et geler sur les bâtiments, les végétaux et même sur les toits.
5. La base de la terminaison doit se trouver à au moins 305 mm (12 po) au-dessus du sol ou de la limite anticipée de neige.
6. Dans les climats froids, il n'est pas permis d'utiliser des conduits d'évacuation en acier à paroi simple à l'extérieur.
7. La terminaison murale d'un appareil de Catégorie II ou IV et d'appareils à condensation non catégorisés ne doit pas se trouver au-dessus de tout passage public ou au-dessus de tout lieu où la formation de condensation ou de vapeur pourrait constituer une nuisance, poser un risque ou affecter le fonctionnement d'un régulateur de gaz, d'une vanne de surpression ou d'autres équipements. Lorsque la formation de condensation risque de causer un problème, dans le cas d'appareils de Catégorie I et III, cette disposition s'applique également.
8. Positionnez et protégez la terminaison d'évacuation de façon à prévenir tout contact accidentel, par une personne ou un animal.
9. NE PAS positionner une terminaison d'évacuation dans un puits de fenêtre, une cage d'escalier, une alcôve, une cour intérieure ou tout autre lieu enclavé.
10. NE PAS positionner une terminaison d'évacuation au-dessus d'une porte, d'une fenêtre, ou d'une prise d'air gravitaire, car il pourrait se former des glaçons à l'extrémité du conduit.
11. Positionnez la terminaison de façon à ce que la condensation s'en échappant ne risque pas d'endommager l'enveloppe extérieure du bâtiment. Pour protéger un mur de briques ou de maçonnerie, installez un solin métallique résistant à la corrosion.

## APPROVED

12. La longueur extérieure de la terminaison d'évacuation ne doit pas être supérieure à la longueur minimale à l'écart du mur. La condensation pourrait geler et bloquer le conduit d'évacuation.

## Installation aux États-Unis

Reportez-vous à la plus récente édition du National Fuel Gas Code.

Exigences d'installation de la terminaison d'évacuation:

1. La terminaison doit se trouver à au moins 4 pi (1,2 m) en dessous ou 4 pi (1,2 m) horizontalement ou 12 po (305 mm) de toute fenêtre ou prise d'air gravitaire du bâtiment.
2. La terminaison doit se trouver à au moins 7 pi (2,1 m) au-dessus du sol lorsqu'elle se trouve au-dessus d'un passage public.
3. Positionnez la terminaison à au moins 3 pi (915 mm) au-dessus d'une prise d'air forcée, à une distance horizontale d'au moins 10 pi (3 m).
4. La terminaison doit se trouver à une distance horizontale d'au moins 4 pi (1,2 m) de tout compteur électrique ou de gaz, d'un régulateur de gaz ou d'une soupape de décharge, et jamais au-dessus ou en dessous de ceux-ci, sauf si une distance horizontale d'au moins 4 pi (1,2 m) est maintenue avec eux.
5. Positionnez la terminaison à au moins 6 pi (1,8 m) de tout mur adjacent.
6. NE positionnez PAS la terminaison à moins de 5 pi (1,5 m) sous un surplomb du toit.
7. La terminaison d'évacuation doit se trouver à au moins 12 po (305 mm) d'un mur.
8. La terminaison doit se trouver à au moins 1 pi (305 mm) au-dessus du sol et de la limite de neige anticipée.
9. Dans le cas d'une installation multi-appareils à ventilation directe (DV), prévoyez un dégagement horizontal d'au moins 4 pi (1,2 m) entre les terminaisons d'évacuation.

## Installation au Canada

Reportez-vous à l'édition en vigueur du code d'installation B149.1.

La terminaison d'un conduit d'évacuation ne doit pas se trouver:

1. Directement au-dessus d'un trottoir ou d'une entrée pavée située entre deux logements unifamiliaux et qui les dessert tous les deux.
2. À moins de 7 pi (2,1 m) au-dessus d'un trottoir pavé ou d'une entrée pavée pour véhicules situés sur une propriété publique.
3. À moins de 6 pi (1,8 m) d'une prise d'air mécanique d'un bâtiment.
4. Au-dessus d'un régulateur, à moins de 3 pi (915 mm) horizontalement de l'axe vertical du régulateur de gaz.
5. À moins de 3 pi (1,8 m) de la sortie d'évent d'un régulateur d'abonné.
6. À moins de 12 po (305 mm) au-dessus du niveau du sol.



7. À moins de 3 pi (915 mm) de toute fenêtre ou porte d'un bâtiment pouvant être ouverte, ainsi que de toute prise d'air non-mécanique d'un bâtiment ou d'une prise d'air comburant de tout autre appareil.
8. Sous le plancher d'une véranda, d'un porche, d'une terrasse ou d'un balcon dont au moins deux côtés sont ouverts; - et - dont la distance entre la partie supérieure de la terminaison et la surface intérieure du plancher de la véranda, du porche, de la terrasse ou du balcon est d'au moins 0,3 m (1 pi).

### Conseils de ventilation

Supports de conduits:

- sections horizontales, au moins tous les 5 pi (1,5 m)
- sections verticales — utiliser des ancrages muraux
- sous ou à proximité des coudes

### Configurations de ventilation

Le système de ventilation d'un appareil doit être conforme aux exigences du NFGC (É.-U.) ou de la norme B149.1 (Canada) ou des codes locaux.

### Ventilation verticale (Catégorie I) assistée par ventilateur

#### Installation

L'évacuation à tirage naturel utilise la tendance naturelle des gaz de combustion chauffés à monter, jusqu'à ce qu'ils soient expulsés par la cheminée. Le tirage naturel doit être d'au moins -0,01 à -0,08 po c.e., lorsque mesuré à une distance de 12 po (305 mm) au dessus du raccord d'évacuation de l'appareil, pour assurer un bon fonctionnement. Les tubes composant le conduit d'évacuation doivent être homologués par un organisme d'essai reconnu au niveau national.

Le conduit d'évacuation doit être de type B à double paroi pour générer un meilleur tirage d'air et minimiser la formation de condensation dans celui-ci.

Cet appareil ne nécessite aucun coupe-tirage. L'installation d'un registre barométrique automatique à un seul sens de rotation est requise si la hauteur d'évacuation dépasse 25 pieds (7,6 m).

La distance entre le raccord d'évacuation de l'appareil et la cheminée doit être aussi court que possible. Toute section horizontale d'un conduit d'évacuation doit maintenir une pente ascendante d'au moins 1/4" par pied linéaire, entre l'appareil et la terminaison. Le poids de toute section

horizontale d'un conduit d'évacuation doit aussi être convenablement et entièrement supporté afin d'éviter l'ouverture des joints, ce qui pourrait compromettre le respect des distances de dégagement ou causer des dommages.

#### Terminaison

Une terminaison verticale doit se terminer à l'extérieur du bâtiment, à au moins 2 pi (0,6 m) au-dessus du point le plus élevé du toit, dans un rayon de 8 pi (2,4 m). La terminaison doit se trouver à une distance horizontale d'au moins 4 pi (1,2 m) de tout compteur électrique ou de gaz, d'un régulateur de gaz ou d'une soupape de décharge, et jamais au-dessus ou en dessous de ceux-ci, sauf si une distance horizontale d'au moins 4 pi (1,2 m) est maintenue avec eux. La distance entre la terminaison d'évacuation et un passage public, les bâtiments adjacents, les fenêtres ouvertes et les ouvertures de bâtiments doit être conforme aux exigences de la norme NFGC (É.-U.) ou B149 (Canada). Un conduit d'évacuation uniquement supporté par un solin soit surplomber le toit d'au moins 5 pi (1,5 m) et doit être solidement haubané ou contreventé afin de résister aux charges de vent et de neige.

Pour connaître les chapeaux de terminaison approuvés par le fabricant, reportez-vous à la liste de pièces illustrée du présent manuel. Voir page 66.

**ATTENTION: le conduit d'évacuation doit comporter un chapeau homologué, correctement dimensionné et convenable pour l'évacuation des gaz de combustion.**

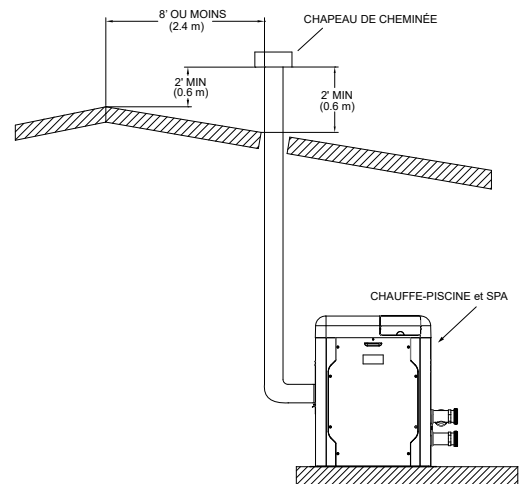


Figure 9. Ventilation verticale

N° de modèle	Matériau d'évac. certifié	Diamètre po (mm)	Hauteur de l'évacuation pi (m)*	
			Min.	Max.
264/404	Catégorie I (Type B équivalent) Assisté par ventilateur	4 (101,6)	5 (1,5)	25 (7,6)

Ces hauteurs d'évacuation admissibles considèrent une section horizontale de 2 pi (0,6 m). Reportez-vous à l'édition en vigueur du NFGC pour plus de détails. Si la hauteur d'évacuation est supérieure à 25 pi (7,6 m), consulter le fabricant avant l'installation.

\*Soustraire 12 pi (3,6 m) par coude.



## Ventilation murale pour appareils de Catégorie III

### Installation

Cet appareil est équipé d'un ventilateur intégré qui évacue les gaz de combustion à l'extérieur du bâtiment. L'air comburant peut être tiré de l'intérieur de la pièce et le conduit d'évacuation est acheminé à l'extérieur à travers le mur. La salle mécanique doit fournir un apport d'air comburant et de ventilation adéquat, conformément aux NFGC (É.-U.) ou au code B149.1 (Canada).

La longueur équivalente des conduits de ventilation murale ne doit pas être supérieure à 75 pieds-équivalents (22,9 m). Si la longueur équivalente est supérieure à 75 pieds-équivalents (22,9 m), il faut ajouter un ventilateur d'extraction correctement dimensionné. Un coude possède une longueur équivalente de 12 pi (3,6 m).

Il n'est pas requis de considérer la terminaison d'évacuation pour établir la longueur équivalente du système de ventilation.

La conduite d'évacuation ne doit pas laisser s'échapper de gaz de combustion dans le bâtiment. Lors de l'assemblage, veillez à ce que tous les joints soient solides et étanches. Le conduit d'évacuation doit maintenir une pente ascendante empêchant une éventuelle accumulation de condensation. Il est fortement recommandé d'isoler le conduit d'évacuation. Il est requis d'isoler le conduit d'évacuation s'il est exposé à des températures froides (moins de 40°F ou 4°C). En particulier:

Le conduit d'évacuation doit comporter un drain d'évacuation de la condensation installé à proximité de l'appareil, tel qu'exigé par le fabricant des tuyaux d'évacuation.

Le conduit d'évacuation doit maintenir une pente ascendante minimale de 1/4 po par pied, vers la terminaison d'évacuation.

### Terminaison

La terminaison d'évacuation DOIT se trouver à l'extérieur du bâtiment. La terminaison d'évacuation ne peut être installée dans un puits ou au-dessous du niveau du sol. Elle doit se trouver à au moins 1 pi (305 mm) au-dessus du sol et de la limite de neige anticipée. L'extrémité de la terminaison d'évacuation doit se trouver à AU MOINS 12 po (305 mm) de la surface du mur.

Pour connaître les chapeaux de terminaison approuvés par le fabricant, reportez-vous à la liste de pièces illustrée du présent manuel. Voir page 66.

APPROVED

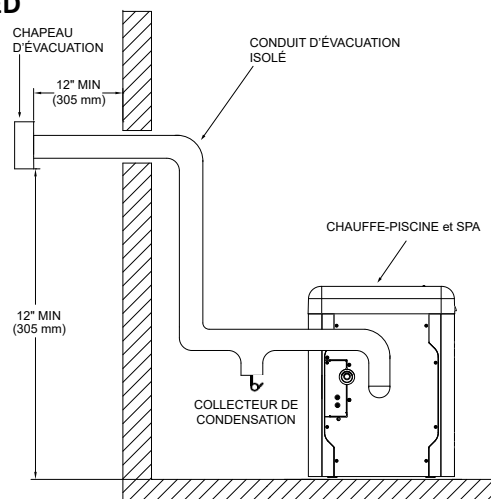


Figure 10. Ventilation murale et horizontale

**ATTENTION:** le conduit d'évacuation de ce système de ventilation nécessite un drain de condensation, installé conformément aux instructions du fabricant de tuyaux d'évacuation. Le défaut d'installer un drain de condensation dans un système de ventilation causera des dommages non couverts par la garantie.

**AVERTISSEMENT:** aucune substitution de matériau n'est permise pour le conduit ou le couvercle d'évacuation. Toute substitution mettrait en péril la sécurité et la santé des habitants.

## Ventilation directe (DV) murale et horizontale

### Installation

Cet appareil est équipé d'un ventilateur intégré qui extrait l'air comburant de l'extérieur du bâtiment et évacue les gaz de combustion vers l'extérieur, voir **Tableau K**.

**NOTE:** il n'est pas permis d'utiliser des tubes de type B-Vent sur un tel système.

Les conduits d'apport d'air et d'évacuation doivent maintenir une pente ascendante empêchant une éventuelle accumulation de condensation. Il est fortement recommandé d'isoler les deux conduits. Il est requis d'isoler les conduits s'ils sont exposés à des températures froides (moins de 40°F ou 4°C).

Il n'est pas requis de considérer la terminaison d'évacuation pour établir la longueur équivalente du système de ventilation.

N° de modèle	Matériau d'évac. certifié	Long. évac. pi (m)	Long. max. d'évacuation pi (m)*	Matériau du conduit d'apport d'air comburant**	Long. max. apport d'air* pi (m) 4 po Ø
264/404	Catégorie III	4 (1,2)	75 (22,86)	Acier galvanisé, PVC, ABS, CPVC	75 (22.86)

\*Soustraire 12 pi (3,6 m) par coude.

\*\* PVC ou CPVC Schedule 40.

Tableau K. Appareil de catégorie III, évacuation à l'horizontale et ventilation directe à l'horizontale

Lors de l'assemblage, veillez à ce que tous les joints soient solides et étanches.

Le conduit d'évacuation doit maintenir une pente ascendante empêchant une éventuelle accumulation de condensation. Il est fortement recommandé d'isoler le conduit d'évacuation. Il est requis d'isoler le conduit d'évacuation s'il est exposé à des températures froides (moins de 40°F ou 4°C).

Pour les installations dans des climats extrêmement froids, les mesures suivantes sont requises:

1. Le conduit d'évacuation doit maintenir une pente ascendante minimale de 1/4 po par pied, vers la terminaison d'évacuation. Un collecteur de condensation approuvé doit être installé conformément aux codes applicables.
2. La section horizontale du conduit d'apport d'air doit être isolée sur toute sa longueur.

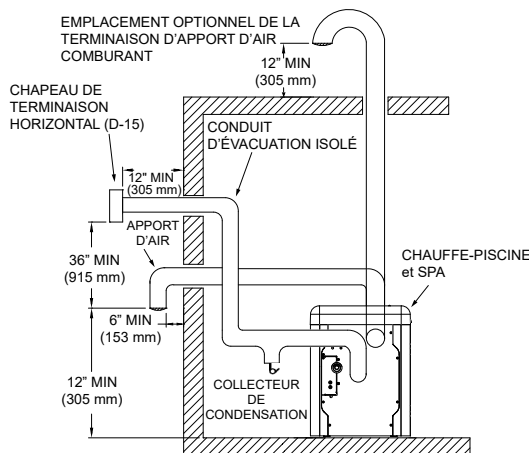


Figure 11. Ventilation directe (DV) murale et horizontale

### Terminaison

La terminaison d'évacuation DOIT se trouver à l'extérieur du bâtiment et ne peut pas être installée dans un puits ou au-dessous du niveau du sol. Elle doit se trouver à au moins 12 po (305 mm) au-dessus du sol et de la limite de neige anticipée.

La terminaison d'évacuation NE DOIT PAS être installée en dessous ou à moins de 3 pi (0,9 m) de la prise d'air, afin d'éviter la recirculation des gaz de combustion dans l'appareil.

Ce type d'installation peut causer une défaillance non couverte par la garantie et un mauvais fonctionnement de l'appareil en raison de la recirculation des produits de combustion. Si plusieurs terminaisons d'évacuation doivent être installées côte à côte, prévoyez un dégagement horizontal d'au moins 4 pi (1,2 m) entre celles-ci. Voir **Figure 11**.

L'air comburant tiré de l'extérieur du bâtiment doit être exempt de particules et de contaminants chimiques. Pour éviter l'arrêt du système en raison d'un blocage, la terminaison d'évacuation ne doit pas être surexposée à la neige, la glace, les feuilles, débris, etc.

Utilisez uniquement un système d'évacuation spécial certifié et désigné pour être utilisé avec un appareil de Catégorie III, ex.: système en acier inoxydable AL29-4C offert par

DuraVent ([www.duravent.com](http://www.duravent.com)). Suivez les instructions d'installation de son fabricant.

**AVERTISSEMENT:** aucune substitution de matériau n'est permise pour le conduit ou le couvercle d'évacuation. Toute substitution mettrait en péril la sécurité et la santé des habitants.

**ATTENTION:** le condensat est acide et très corrosif.

## Ventilation directe (DV) verticale

### Installation

Cet appareil est équipé d'un ventilateur intégré qui extrait l'air comburant de l'extérieur du bâtiment et évacue les gaz de combustion vers l'extérieur, sous pression positive. Les conduits de ventilation doivent être fabriqués d'un matériau approuvé dans les présentes instructions (conduits homologués par un organisme d'essai reconnu au niveau national).

Le conduit entre le raccord d'évacuation de l'appareil et la cheminée doit être aussi court que possible et du même diamètre que ce raccord d'évacuation.

Il est fortement recommandé d'isoler le conduit d'apport d'air dans un climat froid.

**NOTE:** il n'est pas permis d'utiliser des tubes de type B-Vent sur un tel système.

### Terminaison

Une terminaison verticale doit se terminer à l'extérieur du bâtiment, à au moins 2 pi (0,6 m) au-dessus du point le plus élevé du toit, dans un rayon de 10 pi (3,0 m). La terminaison d'évacuation doit se trouver à une distance horizontale d'au moins 4 pi (1,2 m), sur toute la hauteur du bâtiment, de tout compteur électrique ou de gaz, d'un régulateur de gaz ou d'une soupape de décharge. La distance entre la terminaison d'évacuation et un passage public, les bâtiments adjacents, les fenêtres ouvertes et les ouvertures de bâtiments doit être conforme aux exigences de la norme NFGC (É.-U.) ou B149 (Canada).

Un conduit d'évacuation uniquement supporté par un solin soit surplomber le toit d'au moins 5 pi (1,5 m) et doit être solidement haubané ou contreventé afin de résister aux charges de vent et de neige.

La terminaison d'apport d'air DOIT être installée à 1 pi (305 mm) au-dessus du toit ou au-dessus de la limite anticipée de neige, afin d'éviter un éventuel blocage. Le respect de cette directive est essentiel pour éviter un blocage par la neige et assurer le bon fonctionnement de l'appareil. Il doit y avoir un dégagement vertical d'au moins 3 pi (0,9 m) entre la terminaison d'évacuation et la prise d'air comburant.

Utilisez uniquement un système d'évacuation spécial certifié et désigné pour être utilisé avec un appareil de Catégorie III, ex.: système en acier inoxydable AL29-4C offert par DuraVent ([www.duravent.com](http://www.duravent.com)). Les joints des conduits doivent être étanchéifiés sous pression positive. Suivez les instructions d'installation de son fabricant.

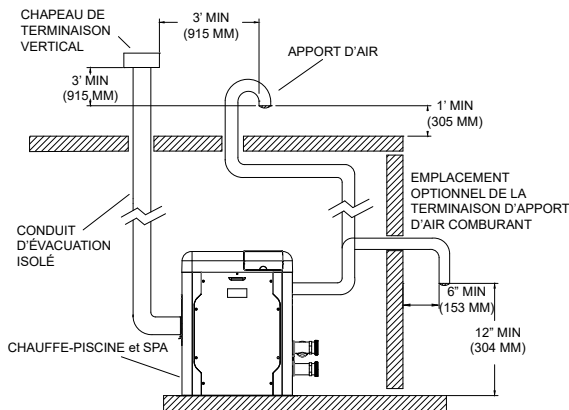


Figure 12. Ventilation directe (DV) verticale

**AVERTISSEMENT:** aucune substitution de matériel n'est permise pour le conduit ou le couvercle d'évacuation. Toute substitution mettrait en péril la sécurité et la santé des habitants.

## Installation extérieure

Dans une installation extérieure, il faut utiliser le couvercle d'évacuation extérieur fourni.

Portez une attention particulière à l'emplacement de l'appareil lors d'une installation extérieure, car les gaz de combustion peuvent se condenser sur des surfaces adjacentes. Une installation à un emplacement inapproprié pourrait endommager des structures adjacentes ou la finition du bâtiment. Prenez les précautions suivantes pour maximiser l'efficacité et minimiser les risques:

1. Inspectez périodiquement le système de ventilation. Les ouvertures de ventilation de l'appareil ne doivent jamais être obstruées et les dégagements minimaux doivent être respectés, pour éviter de restreindre l'apport d'air comburant ou de ventilation. Le lieu d'installation ne doit pas contenir de matériaux combustibles et inflammables.
2. Ne positionnez pas l'appareil à proximité d'une fenêtre, d'une porte, d'un passage public ou d'une prise d'air gravitaire. Le couvercle d'évacuation doit se trouver à une distance horizontale d'au moins 1,2 m (4 pi) de telles ouvertures.
3. La bouche d'évacuation doit se trouver au-dessus du niveau du sol et de la limite de neige anticipée.
4. La terminaison doit se trouver à au moins 3 pi (915 mm) au-dessus d'une prise d'air forcée et à une distance horizontale d'au moins 10 pi (3 m).
5. Les surfaces murales adjacentes en brique ou en maçonnerie doivent être protégées avec un solin métallique résistant à la corrosion.

**NOTE:** la condensation peut geler sur le couvercle d'évacuation et former un bouchon pouvant empêcher le bon fonctionnement du système.

APPROVED

## Raccordement du gaz

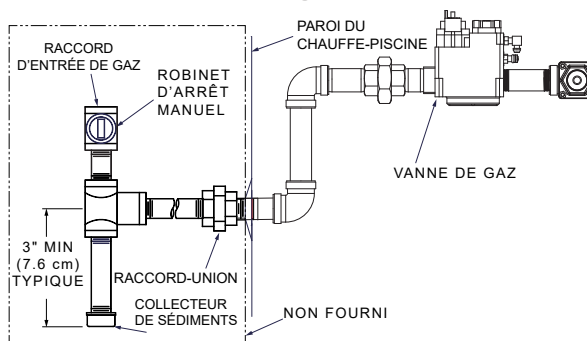


Figure 13. Alimentation en gaz

La tuyauterie d'alimentation en gaz doit comporter un collecteur de sédiments et un robinet d'arrêt manuel en aval de la commande du gaz. L'étanchéité de la tuyauterie de gaz doit être testée après l'installation, conformément aux codes locaux.

**ATTENTION:** l'appareil et son robinet d'arrêt manuel doivent être débranchés du réseau d'alimentation en gaz lors de tout essai d'étanchéité effectué à une pression supérieure à 1/2 psi (3,5 kPa). Assurez-vous de libérer la pression de l'essai d'étanchéité de la conduite d'alimentation en gaz avant de raccorder le robinet d'arrêt manuel et l'appareil au réseau d'alimentation. **LE NON-RESPECT DE CETTE DIRECTIVE RISQUE D'ENDOMMAGER LA VANNE DE GAZ. LES DOMMAGES CAUSÉS À LA VANNE DE GAZ EN RAISON D'UNE SURPRESSURISATION NE SONT PAS COUVERTS PAR LA GARANTIE.** L'appareil et les raccords de tuyauterie l'alimentant doivent subir un essai d'étanchéité avant la mise en service. Utilisez de l'eau savonneuse pour effectuer l'essai d'étanchéité. **NE PAS utiliser une flamme nue.**

## Pression d'alimentation

**ATTENTION:** ne pas appliquer de ruban Téflon sur les raccords de gaz. Utilisez uniquement un ruban ou un composé approuvé pour étanchéifier les raccords de gaz naturel et de propane. Appliquez avec parcimonie uniquement sur les filets mâles, en laissant les deux premiers fils nus.

La pression d'alimentation statique et dynamique en gaz naturel doit s'élever à au moins 4 po c.e. et ne pas dépasser 10,5 po c.e. Pression requise pour le propane: min. = 8,0 po c.e. (dynamique); max. = 13,0 po c.e. (statique).

## Régulateur de pression du gaz

La pression de distribution du gaz est pré-réglée à l'usine à -0,30 po c.e. Si un réglage est requis, retirez le couvercle de la vanne de gaz et tournez la vis de réglage dans le sens horaire ↻ pour augmenter la pression ou dans le sens antihoraire ↻ pour réduire la pression. Si la vanne comporte un tel réglage, la concentration d'O<sub>2</sub> doit être réglée entre 4,5 et 5,5%; à l'aide d'un analyseur de combustion étalonné.

APPROVED

## Tableau des débits

Modèle	Dia. conduit po (mm)	Min. GPM (lpm)	Max. GPM (lpm)
264/404	2 (50,8)	40 (151)	100 (379)

\* Lorsque les débits dépassent la valeur maximale, une vanne de dérivation auxiliaire externe est requise. Voir section Vanne de dérivation externe à la page 21 pour les détails.

Tableau M. Débits Min./Max.

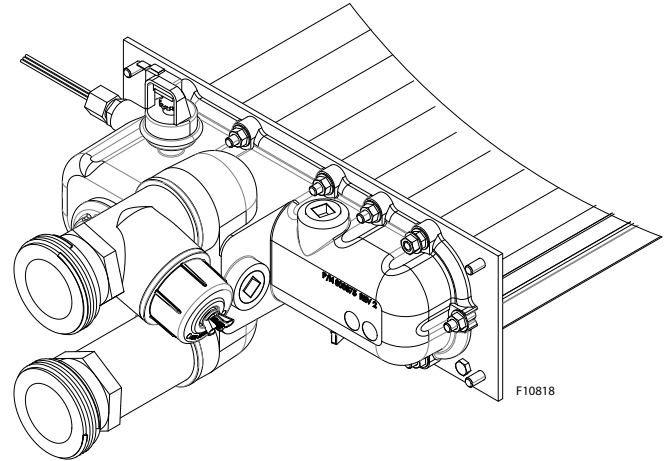


Figure 16. Alimentation d'eau

Débit GPM (lpm)	Perte de charge pi (m)	
	264	404 (avec bobine)
40 (151)	7,2 (2,2)	13,4 (4,1)
50 (189)	10,0 (3,1)	16,5 (5,0)
60 (227)	12,6 (3,8)	19,5 (5,9)
70 (265)	17,0 (5,2)	23,7 (7,2)
80 (303)	24,0 (7,3)	28,3 (8,6)
90 (341)	30,3 (9,2)	33,2 (10,1)
100 (379)	36,0 (10,9)	37,0 (11,3)

Tableau N. Perte de charge dans l'échangeur de chaleur

**NOTE:** ces capacités sont basées sur l'utilisation de tubes 2 po Schedule 40.

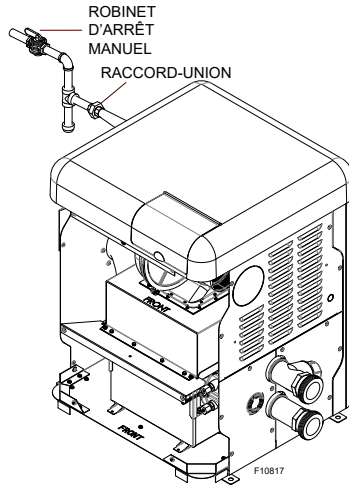


Figure 14. Installation du robinet d'arrêt manuel

## Dispositifs de réglage de la pression du gaz

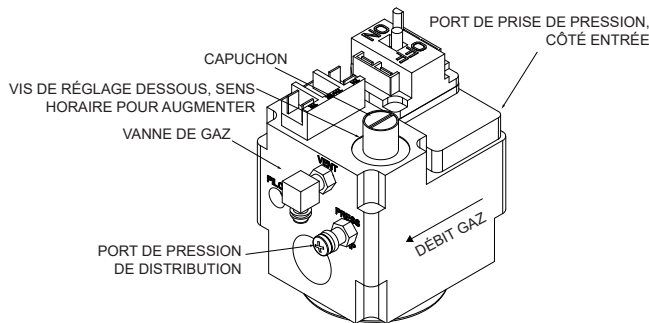


Figure 15. Réglage de la vanne du gaz

## Dimensionnement de la tuyauterie de gaz

Les capacités indiquées ci-dessous considèrent des tubes en fonte Schedule 40. Pour la capacité de tubes fabriqués en d'autres matériaux, consultez vos codes locaux.

Longueur équivalente maximale pi (m)								
Gaz naturel - 1 000 BTU/pi³, densité de 0,60 à perte de charge de 0,5" c.e. Propane - 1 000 BTU/pi³, densité de 0,60 à perte de charge de 0,5" c.e.								
N° modèle	Dia. 3/4"		Dia. 1"		Dia. 1-1/4"		Dia. 1-1/2"	
	NAT	PRO	NAT	PRO	NAT	PRO	NAT	PRO
264	15 (4,6)	35 (10,7)	50 (12,2)	125 (38,1)	210 (64,0)	480 (146,3)	445 (135,6)	
404	*	15 (4,6)	20 (8,8)	55 (16,8)	95 (29,0)	225 (68,6)	215 (65,5)	280 (85,3)

\* La longueur maximale d'une conduite de gaz de 3/4 po est de 5 pi (1,5 m), plus un collecteur de sédiments.

Tableau L. Dimensions des conduites de gaz



## APPROVED

Le distributeur est muni de raccords en CPVC haute température et d'écrous de raccords correspondants. S'il y a une possibilité de siphonnage lorsque la pompe s'arrête, il est fortement recommandé d'installer un clapet anti-retour dans le système. Il est également recommandé un robinet sphérique ou à vanne en aval du système pour réguler le débit et la pression dans l'appareil.

Avant de fixer les raccords-unions de 2 po au distributeur d'entrée/sortie, assurez-vous que les joints toriques sont correctement insérés dans les rainures correspondantes. Appliquez de l'Aqualube ou un lubrifiant équivalent sans produit pétrolier sur le joint torique. **Serrez tous les joints à la main.** Collez la tuyauterie PVC directement aux raccords-unions.

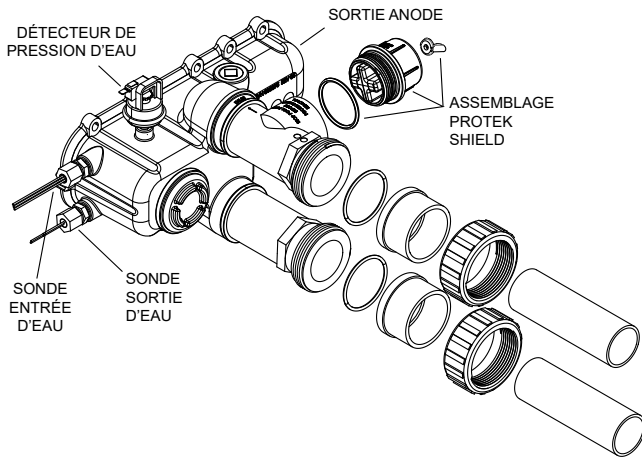


Figure 17. Distributeur d'entrée/sortie

## Assemblage ProTek Shield

Cet appareil est équipé d'un assemblage ProTek Shield, installé à l'horizontale sur le côté droit du raccord d'entrée d'eau.

Ce dispositif sert à protéger l'échangeur de chaleur contre la corrosion galvanique, lorsqu'il est électriquement en contact avec lui. Le ProTek Shield doit être remplacé lorsque son poids atteint environ 40% de son poids initial (1,46 lb).

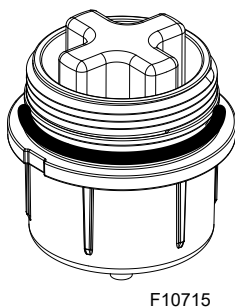


Figure 18. Assemblage ProTek Shield

**ATTENTION:** ARRÊTEZ la pompe avant de tenter de retirer le ProTek Shield. Le maintien en charge de la pompe risque d'endommager le ProTek Shield, une perte d'eau du système ou des blessures corporelles.

**ATTENTION:** n'utilisez pas d'outils pour enlever (dévisser) le ProTek Shield ou son écrou à oreilles. Les dommages causés par l'utilisation d'outils ne sont pas couverts par la garantie.

Directives de remplacement du ProTek Shield:

1. Arrêtez la pompe et dissipez la pression du système.
2. Fermez les vannes d'isolement pour éviter les pertes d'eau de piscine/spa.
3. Retirer l'écrou à oreilles du goujon inférieur du ProTek Shield.
4. Retirez l'anneau-terminal de continuité électrique du goujon.
5. Faites pivoter le ProTek Shield dans le sens antihoraire (à la main) pour le dévisser de l'assemblage.
6. Inspecter et remplacer si nécessaire et inverser la procédure ci-dessus pour réinstaller. **Serrez uniquement à la main!** N'utilisez pas d'outils.

**NOTE:** assurez-vous que le joint torique est correctement inséré dans sa rainure avant l'installation.

## Régulateur Unitherm

**ATTENTION:** le régulateur Unitherm breveté est une vanne thermostatique spécialement conçue pour maintenir la température interne de l'appareil entre 120°F (49°C) et 135°F (57°C), à tous les débits de filtration et à toutes les températures d'eau. Le maintien d'une telle température interne permet de réduire le volume de condensation émis par le tube à ailettes lorsque l'appareil est alimenté en eau de piscine à une température inférieure à 100°F (38°C). Le maintien de ce niveau de température inhibe aussi la formation de tartre dans les tubulures internes.

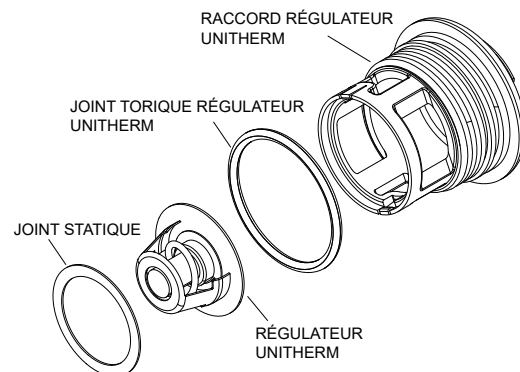


Figure 19. Régulateur Unitherm

## Vanne de dérivation automatique interne

En plus du régulateur Unitherm, une vanne de dérivation automatique interne se trouve dans le distributeur d'entrée/sortie. Alors que le régulateur Unitherm réagit aux changements de température de l'eau, la vanne de dérivation interne réagit automatiquement aux changements de pression dans la tuyauterie d'eau. Le débit d'eau approprié est maintenu à travers l'appareil sous des conditions de pression variable, selon l'état du filtre et de la pompe.

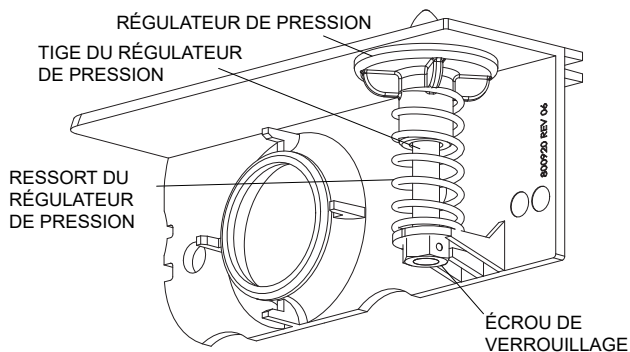
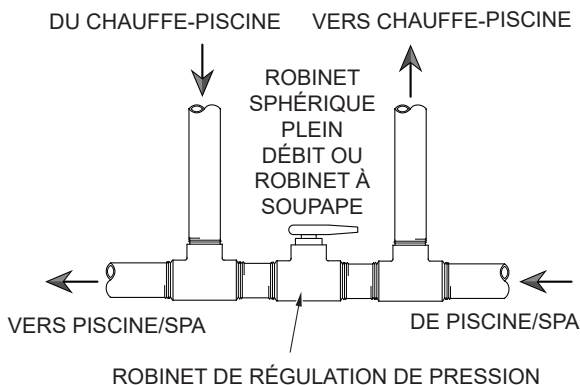


Figure 20. Vanne de dérivation automatique interne

## Vanne de dérivation auxiliaire externe

**Quand utiliser** - Une vanne de dérivation auxiliaire doit être utilisée lorsque le débit dépasse 100 GPM (379 LPM). L'utilisation d'une pompe haute performance de plus de deux h.p. produit un débit supérieur à cette valeur. Cette vanne est un complément à la vanne de dérivation automatique, en particulier lors du démarrage de l'appareil en hiver ou au début du printemps lorsque la température du spa ou de la piscine est inférieure à 50°F (10°C). Elle permet également de réduire la perte de charge à travers l'appareil et à réduire le débit des jets thermaux.



\*NOTE: ne pas utiliser de robinet-vanne.

Figure 21. Vanne de dérivation auxiliaire

## Réglage de la vanne de dérivation auxiliaire

**Réglage** - Alors que le filtre est propre, touchez les conduites d'entrée et de sortie de l'appareil. Les raccords de sortie doivent être légèrement plus chauds que ceux d'entrée et confortables au toucher. S'ils sont trop chauds, refermez la vanne; s'ils sont trop froids, ouvrez la vanne.

## Installation de la soupape de surpression

Le distributeur d'entrée/sortie comporte aussi un raccord 3/4" NPT pour l'installation d'une soupape de surpression. Cette soupape doit être installée à la verticale. La soupape de surpression peut fuir et ne pas fonctionner correctement si elle est installée dans une orientation différente. Ne serrez pas trop. Serrez légèrement la soupape de surpression à la main, plus un demi-tour. Utilisez le kit 018936F et **Figure 23** ci-dessous pour correctement aligner la soupape.

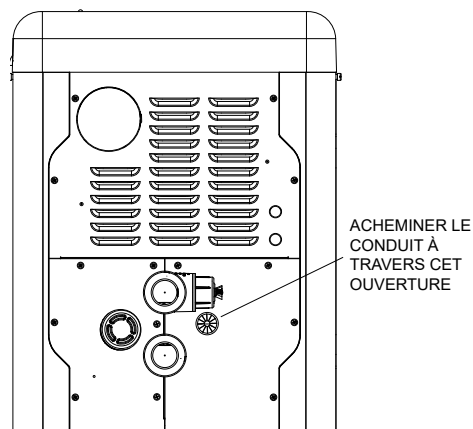


Figure 22. Emplacement de la soupape

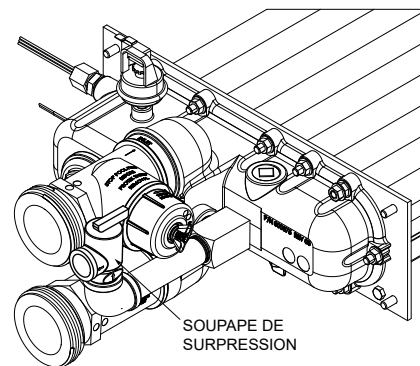


Figure 23. Soupape de surpression installée

**NOTE:** afin d'éliminer tout risque de dégât d'eau ou d'ébouillantage lors du déclenchement de la soupape de surpression, celle-ci doit être raccordée à un tuyau d'écoulement acheminant l'eau chaude à un endroit de décharge sécuritaire. Le tuyau d'écoulement doit être de la même taille, sur toute sa longueur, que le raccord de la soupape de surpression et doit maintenir une pente descendante. N'installez aucune robinetterie entre l'appareil et la soupape de surpression ou dans le tuyau d'écoulement. Soulevez le levier de la soupape au moins une fois par an pour assurer qu'elle demeure fonctionnelle.

L'appareil doit être traversé par un débit d'eau suffisant et soumis à une pression positive suffisante pour s'allumer et correctement fonctionner. Il doit donc être installé en aval du raccord de refoulement de la pompe du filtre. Voir **Figure 24** et **Figure 25**

Schéma de plomberie typique:

1. Le raccord d'entrée du filtre est directement relié au raccord de refoulement de la pompe;
2. Le raccord de sortie du filtre est ensuite relié au raccord d'entrée de l'appareil;
3. Le raccord de sortie de l'appareil est relié à la ligne de retour de la piscine ou du spa. La pompe, le filtre et l'appareil sont ainsi reliés en série (installez un générateur de sel ou un distributeur automatique en aval de l'appareil).

**ATTENTION:** le raccordement d'une source supplémentaire d'eau chauffée (ex.: système de chauffage solaire), doit s'effectuer en amont du raccord d'entrée de l'appareil de chauffage. Si cette source de chaleur est suffisante pour atteindre le point de consigne du système, l'appareil de chauffage ne se mettra pas en marche. Dans un tel cas, le panneau de commande de l'appareil affichera la température de l'eau chauffée par la source supplémentaire.

L'appareil doit être positionnée de façon à ce que toute fuite d'eau ne cause pas de dégât d'eau. Les conduites de CPVC ou de PVC peuvent être directement collées aux raccords-unions fournis.



# Schéma de plomberie

## Raccords d'eau

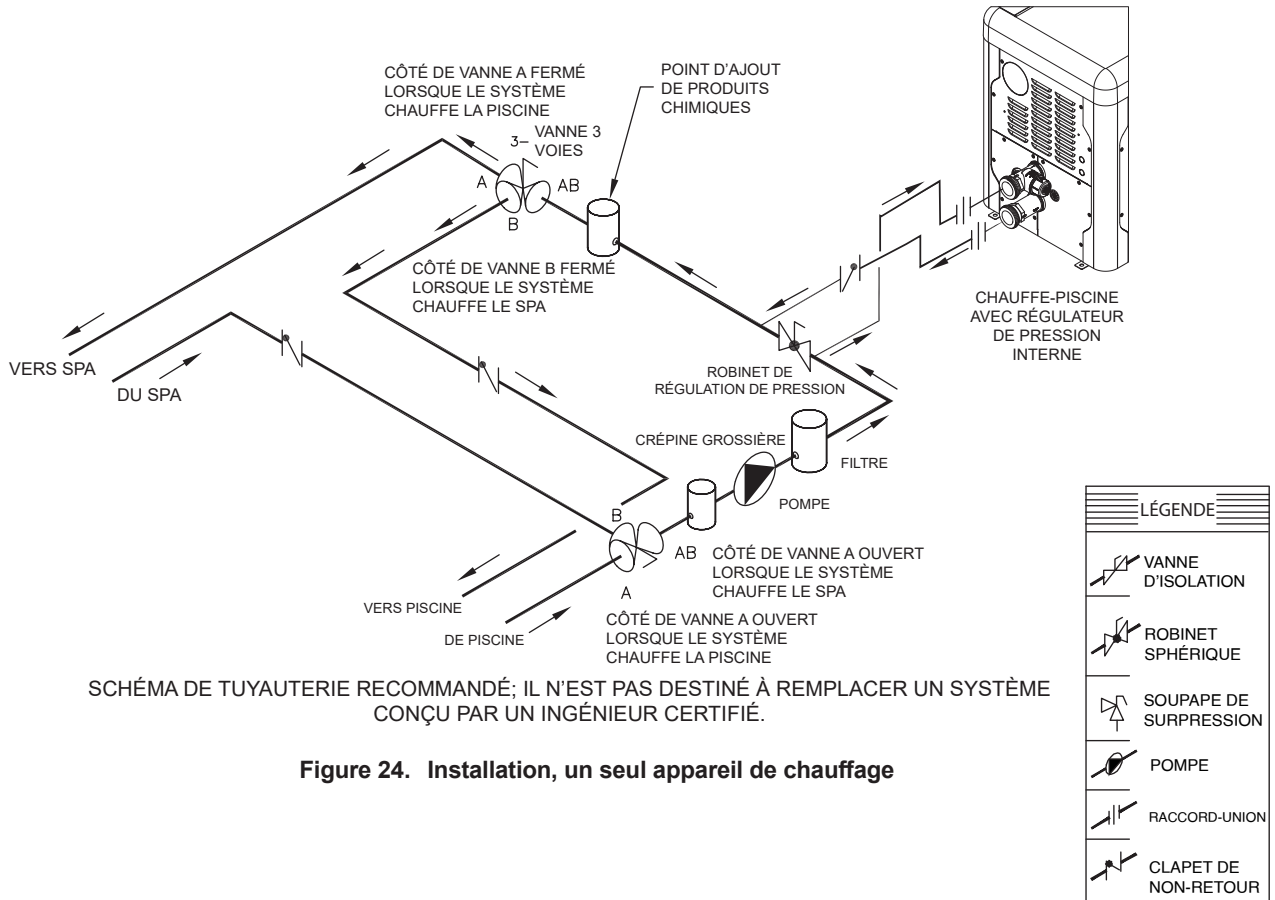


SCHÉMA DE TUYAUTERIE RECOMMANDÉ; IL N'EST PAS DESTINÉ À REMPLACER UN SYSTÈME CONÇU PAR UN INGÉNIEUR CERTIFIÉ.

Figure 24. Installation, un seul appareil de chauffage

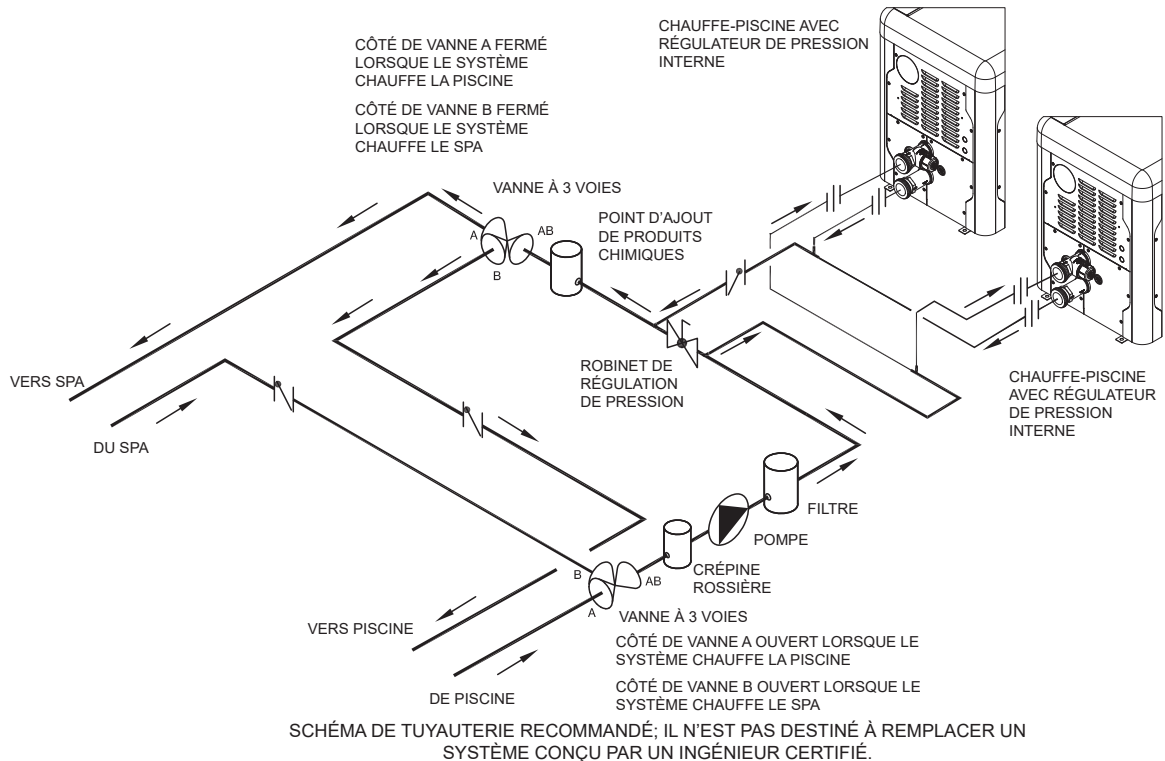


Figure 25. Installation, multi-appareils de chauffage  
UNCONTROLLED DOCUMENT IF PRINTED

APPROVED

## 5. ALIMENTATION ÉLECTRIQUE

### Inversion des raccords d'eau/de ventilation

Cet appareil est conçu de façon à que son panneau de commande ainsi que son couvercle puissent être pivotés par incréments de 90°, selon les besoins d'installation.

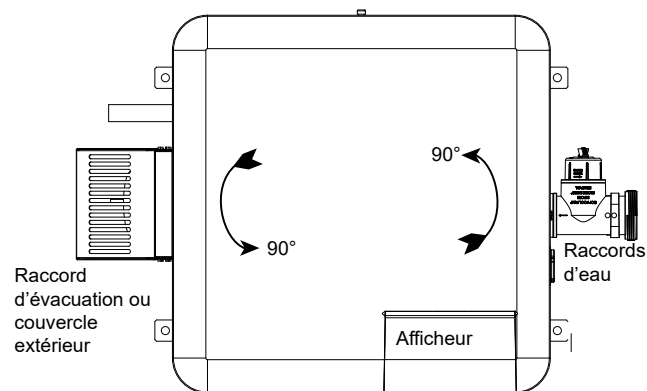


Figure 26. Inversion des raccords

Pour faire pivoter le couvercle, retirez les (2) vis moletées qui l'unissent à la paroi de l'appareil, comme indiqué ci-dessous. Faites pivoter le couvercle à la position désirée et réinstallez les vis moletées pour le fixer à la paroi de l'appareil. Voir **Figure 34**, page 27.

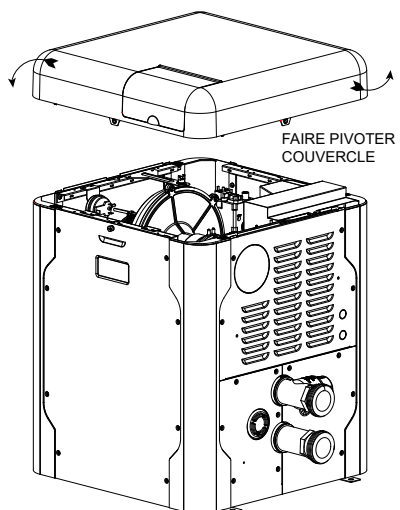


Figure 27. Rotation du couvercle

**NOTE:** en cas de remplacement d'un câble d'origine, utilisez uniquement un conducteur à température nominale de 150°C ou l'équivalent.

**AVERTISSEMENT:** l'appareil est câblé en usine pour une alimentation à 240 VCA, 1Ph, 60 Hz. NE PAS alimenter l'appareil à 208 VCA ou moins.

**NOTE:** les ouvertures non utilisées de la paroi et du boîtier de commande peuvent servir au montage d'une minuterie ou d'un module de commande auxiliaire.

### Capacité électrique requise

**ATTENTION:** une cosse de continuité des masses se trouve sous la boîte de jonction. Le défaut de ne pas correctement mettre l'appareil à la terre pourrait affecter les composants électroniques.

**NOTE:** voir "Minuterie" à la page 38 pour plus de détails sur le câblage d'une minuterie.

Le dispositif d'allumage électronique allume automatiquement le brûleur lors d'un appel de chaleur. L'appareil est équipé d'un transformateur à double tension d'entrée de 120 et 240 VCA.

Lorsqu'alimenté à 120 VCA, l'appareil tire 1,6 A. Lorsqu'alimenté à 240 VCA, l'appareil tire 1,2 A.

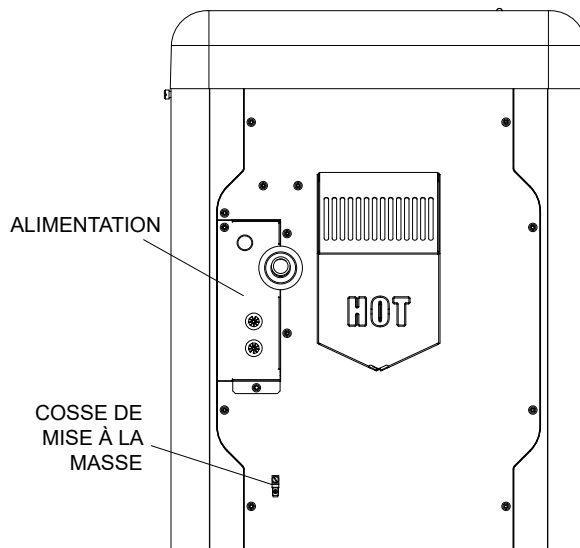


Figure 28. Emplacement du câblage

## Câblage du transformateur

### Câblage 120 VCA

Lorsque l'appareil est alimenté à 120 VCA, connectez le fil noir (L1) (non fourni) aux deux fils noirs de l'appareil. Connectez le fil blanc et le fil rouge/blanc au neutre de l'alimentation. **Il n'y a aucun raccordement à effectuer au fil rouge avec une alimentation 120 VCA.** Insérez une marquette sur le fil rouge.

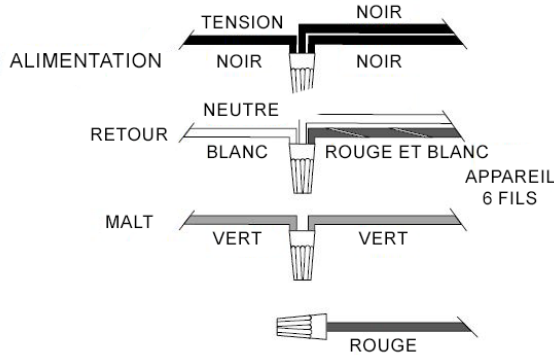


Figure 29. Raccordements à 120 VCA

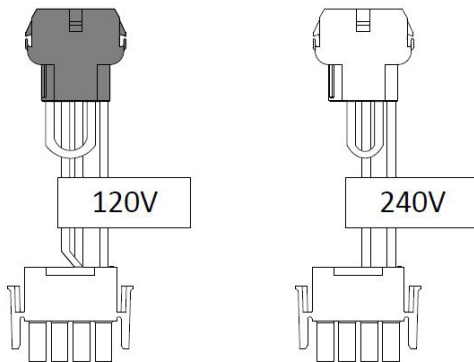


Figure 30. Cavaliers de ventilateur 120/240 VCA

**ATTENTION:** le ventilateur de l'appareil est précâblé à 240 V. Si l'appareil est alimenté à 120 V, alimentez le ventilateur avec le connecteur rouge à 120 V (fourni). L'alimentation du ventilateur avec le mauvais connecteur causera des dommages électriques.

### Câblage 240 VCA

Lorsque l'appareil est alimenté à 240 VCA, connectez le fil noir (L1) (non fourni) de l'alimentation aux deux fils noirs de l'appareil. Connectez le second fil sous tension (L2) de l'alimentation au fil blanc et au fil rouge/blanc de l'appareil. **Il n'y a aucun raccordement à effectuer au fil blanc avec une alimentation 240 VCA.** Insérez une marquette sur le fil blanc.

**AVERTISSEMENT:** NE PAS alimenter l'appareil à 208 VCA.

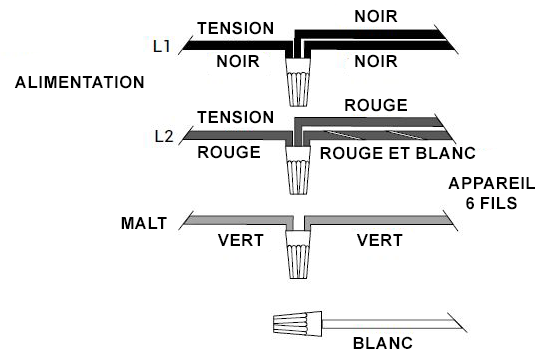


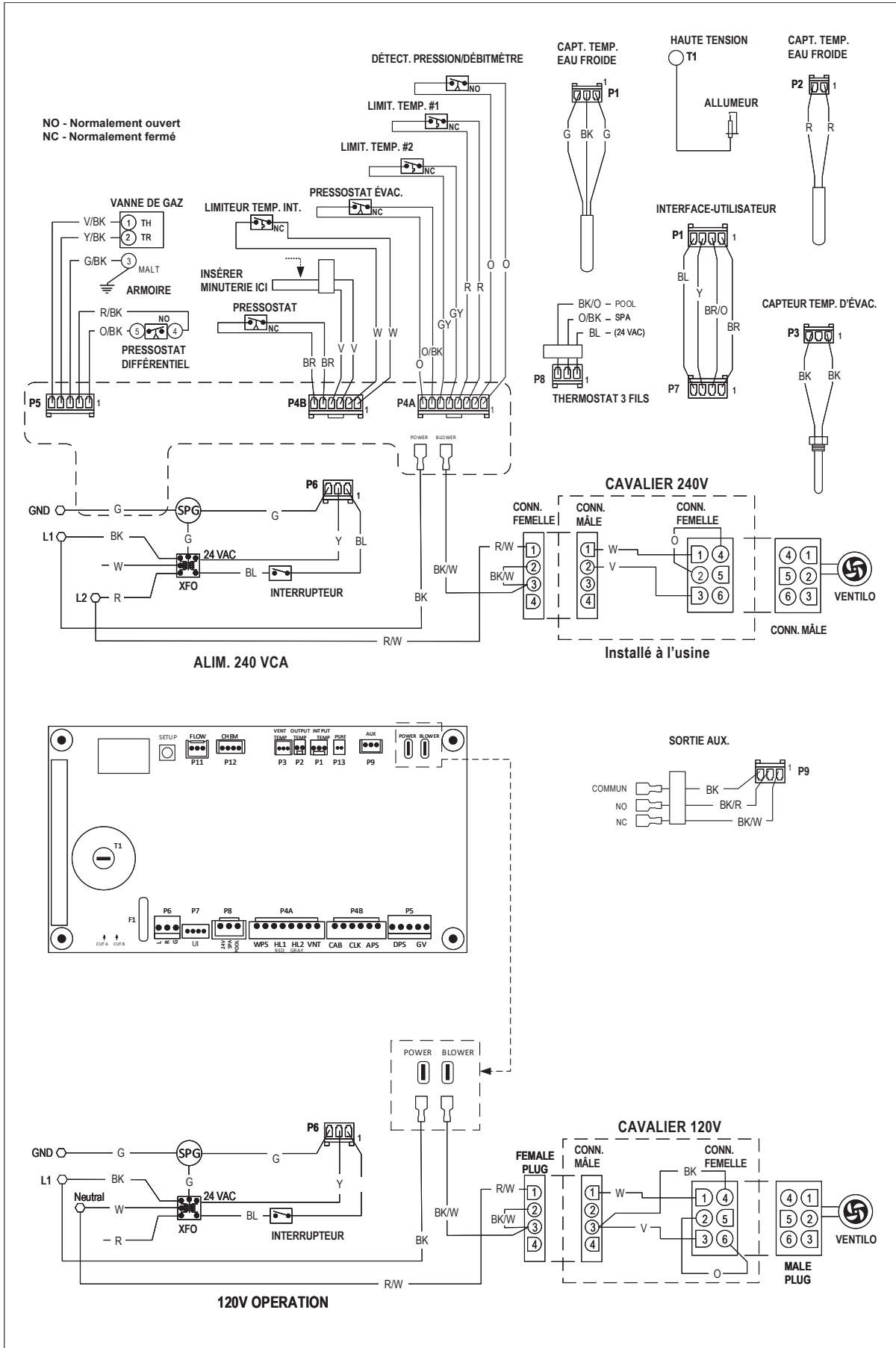
Figure 31. Raccordements à 240 VCA

Avant d'être mis en service, l'appareil doit être mis à la terre et à la masse en conformité avec les codes locaux ou, en l'absence de codes locaux, en conformité avec le « National Electrical Code, ANSI/NFPA 70 » aux États-Unis, ou le « Code canadien de l'électricité CSA C22.1 », parties 1 et 2, au Canada.

**ATTENTION:** si le primaire du transformateur est câblé pour le 120 VCA et qu'une tension de 240 VCA lui est appliquée, le transformateur et la carte électronique risquent d'être endommagés. Ces dommages ne sont pas couverts par la garantie limitée du fabricant.

**NOTE:** l'alimentation de l'appareil (120 ou 240 VCA) peut provenir du côté charge (côté pompe, en aval de la minuterie) ou directement à partir d'une source à DDFT. Il est préférable que l'appareil soit alimenté en continu par une source à DDFT et que la mise en marche de l'appareil soit commandée par la minuterie ou un thermostat externe à deux ou trois fils. Si l'appareil est alimenté par une source à DDFT commutée, le module de commande pourrait afficher des codes d'erreurs incorrects lors de l'arrêt de la pompe.

# 6. SCHÉMA DE CÂBLAGE



## 7. MODULE DE COMMANDE

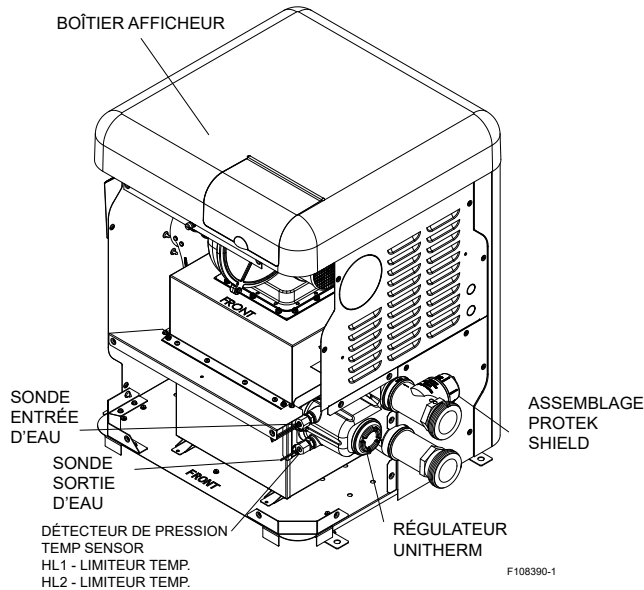


Figure 32. Emplacement des commandes (1)

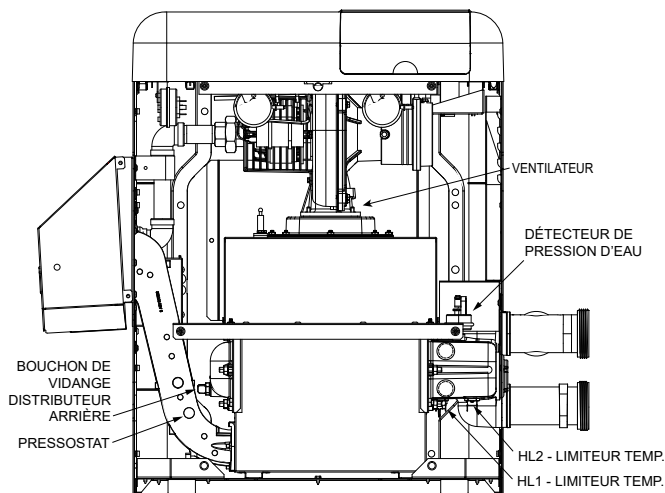


Figure 33. Emplacement des commandes (2)

### Retrait du couvercle de l'appareil

1. Retirez les vis moletées des faces avant et arrière. Voir Figure 34. Déposez le couvercle à l'écart pendant l'entretien.
2. Soulevez le couvercle supérieur pour le séparer de l'appareil. Laissez le faisceau de câbles de l'interface utilisateur connecté à la carte de l'allumeur.

**NOTE:** prenez garde de ne pas endommager les commandes ou le câblage.

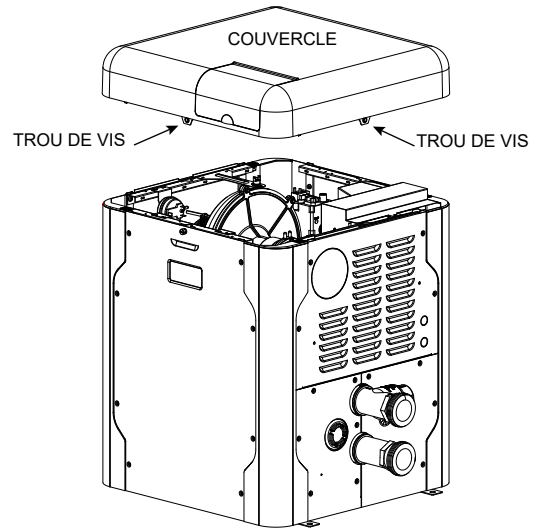


Figure 34. Retrait du couvercle de l'appareil

### Réglages du module de commande

L'interface tactile, située sur le panneau avant supérieur de l'appareil permet à l'utilisateur de sélectionner le mode POOL ou SPA et de régler la température de consigne. L'écran ACL indique le mode (OFF, SPA, POOL) et la température réelle de l'eau. On retrouve sous l'interface tactile un interrupteur d'alimentation manuel qui permet de mettre sous tension ou d'éteindre le module de commande. Voir Figure 35.

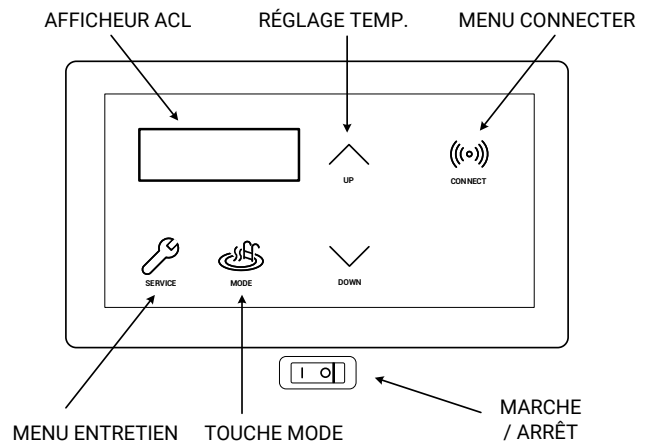


Figure 35. Réglages du module de commande

#### Touche Mode

La touche Mode permet de sélectionner POOL ou SPA. Elle permet également de sélectionner le mode, pendant lequel l'écran ACL affiche OFF et la température de l'eau.

#### Touches UP et DOWN

Si l'appareil est en mode POOL ou SPA, la température de consigne (SETPOINT) s'affiche et peut être réglée à l'aide des touches UP ou DOWN.

## Utilisation

Aux modes POOL ou SPA, la température réelle de l'eau et la température de consigne (SETPPOINT) s'affichent. Lorsque la température de l'eau est supérieure au point de consigne, "Water Temp" et "No Demand" s'affichent en alternance. Lorsque la température de l'eau est inférieure au point de consigne, "Water Temp" et "Heating" s'affichent en alternance.

Pour régler la température de consigne, assurez-vous que le mode approprié (POOL ou SPA) est sélectionné et appuyez sur la touche UP ou DOWN.

La plage de réglage par défaut est de 50 à 104°F (10 à 40°C). Voir "**Menu programmation**" à la page 31 pour augmenter la valeur MAX, si requis.

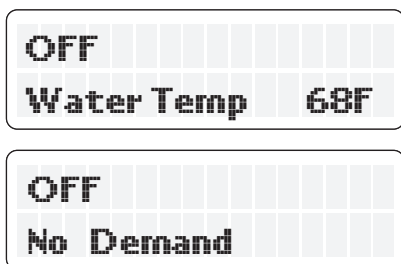


Figure 36. Alternance de l'affichage pendant le chauffage

## Menus d'entretien

Pour accéder au menu d'entretien et à l'historique des pannes, appuyez sur la touche SERVICE à une reprise. L'appareil continue à fonctionner normalement quand le menu Service est sélectionné.

Le premier écran affiche l'intensité du signal généré par le détecteur de flamme. Un signal inférieur à 1,0 µA est faible et peut nécessiter un entretien. Reportez-vous à "**Dépannage**" à la page 47 pour connaître les causes possibles et les correctifs.

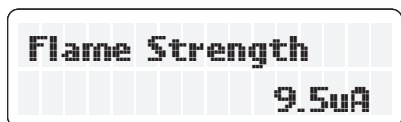


Figure 37. Intensité du signal de flamme

Appuyez sur la touche DOWN. Cet écran indique la tension mesurée à la carte de commande. Les valeurs normales sont de 24 à 30 V.

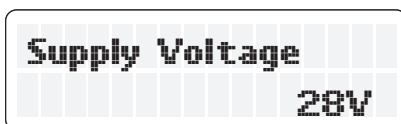


Figure 38. Tension d'alimentation

## APPROVED

Appuyez sur la touche DOWN. Cet écran affiche le nombre total d'heures de fonctionnement de l'appareil (durée d'alimentation de la vanne de gaz). Le nombre de cycles correspond au nombre de cycles marche/arrêt de l'appareil (nombre de mises sous tension de la vanne de gaz).



Figure 39. Durée et cycles de fonctionnement

Appuyez sur la touche DOWN. L'historique des 10 plus récents codes d'erreur s'affichent. Le plus récent code d'erreur est celui indiqué par "Last Err"; les codes suivants s'affichent en ordre chronologique inversé. La durée de fonctionnement au moment du déclenchement de l'erreur est affichée à la fin de la première ligne. La deuxième ligne affiche le message d'erreur. S'il n'y a pas d'erreur en mémoire, la deuxième ligne indique "All Faults Clear".

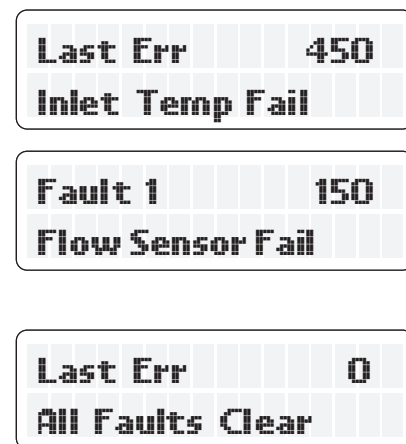


Figure 40. Historique des codes d'erreurs

Appuyez à nouveau sur la  touche Service. Le menu d'entretien avancé s'affiche.

## Température d'entrée et de sortie

Cet écran indique la température détectée aux raccords d'entrée et de sortie de l'appareil.

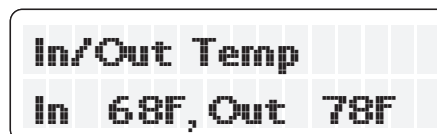


Figure 41. Température d'entrée et de sortie

## APPROVED

### Température d'évacuation

Appuyez sur la touche DOWN. Cet écran affiche la température détectée dans le conduit d'évacuation.



Figure 42. Température d'évacuation

**NOTE:** lorsqu'une température de 390°F (199°C) est détectée dans le conduit d'évacuation, l'appareil s'arrête et émet un code de surchauffe. Lorsque la température est intérieure à 175°F (79°C), l'appareil peut générer de la condensation.

### Surveillance du débit

Appuyez sur la touche DOWN. Par défaut, cet écran affiche le débit estimé lorsque l'appareil chauffe.

Lorsque le débitmètre optionnel est installé, cet écran peut être configuré pour afficher les lectures de ce débitmètre. Voir la page 32 pour configurer le signal du débitmètre.

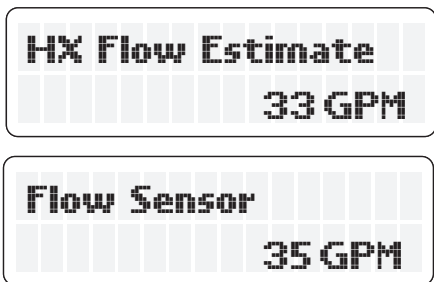


Figure 43. Surveillance du débit

### Volume estimé et durée de chauffe

Appuyez sur la touche DOWN. Cet écran indique le volume estimatif de la piscine en gallons et la durée de chauffe en minutes.

Appuyez sur la touche DOWN. Cet écran indique le volume estimatif du spa en gallons et la durée de chauffe en minutes.

Tout volume égal ou inférieur à 3000 gallons est indiqué comme spa, tandis que tout volume estimé au-dessus de 3000 gallons est considéré comme une piscine.



Figure 44. Volume estimé et durée de chauffe

**NOTE:** les estimations de volume et de durée de chauffage sont basées sur la production d'eau chaude à un rythme constant par un seul appareil. L'utilisation de plusieurs appareils ou sources de chaleur, ou le chauffage de plusieurs plans d'eau peut donner des estimations erronées.

### Statut pompe

Appuyez sur la touche DOWN. Lorsque cette option est activée, cet écran indique la vitesse actuelle de la pompe.

Ce contrôleur de pompe est compatible avec les pompes à vitesse variable Raypak.

Par défaut, le contrôleur de pompe est désactivé. Voir la page 32 pour configurer le contrôleur de pompe.

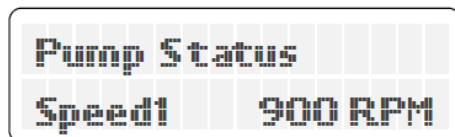


Figure 45. Statut pompe

### Sortie auxiliaire

Appuyez sur la touche DOWN. Cet écran indique l'état actuel de la sortie de relais auxiliaire.

Appuyez simultanément sur les touches SERVICE et MODE pendant 3 secondes pour activer et désactiver cette sortie de relais.

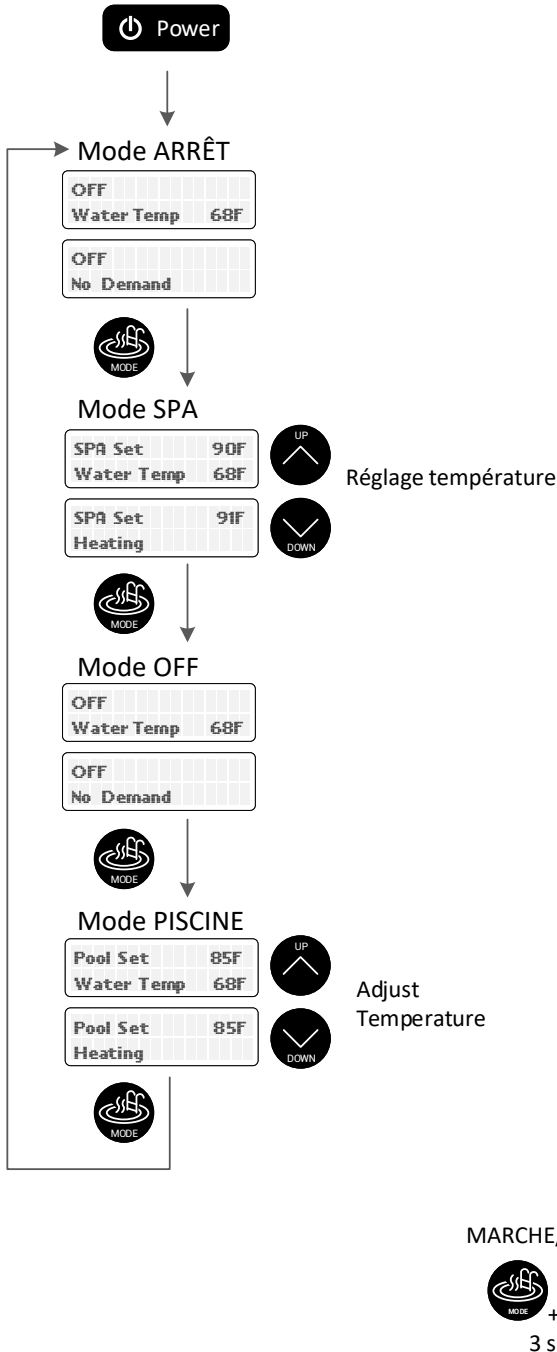
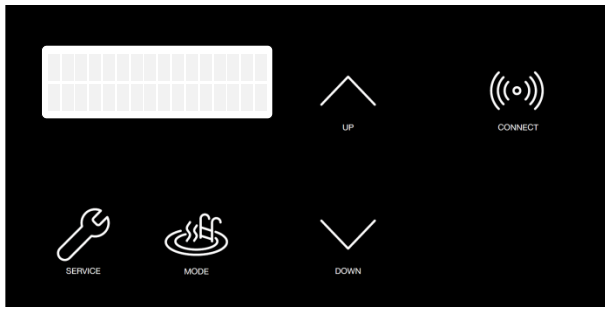
Valeurs nominales, normalement ouvert: 10A@120 V, 5A@240V  
normalement fermé: 3A@120V, 2A@240V



Figure 46. Sortie de relais auxiliaire



APPROVED



☆ Certaines configurations seulement

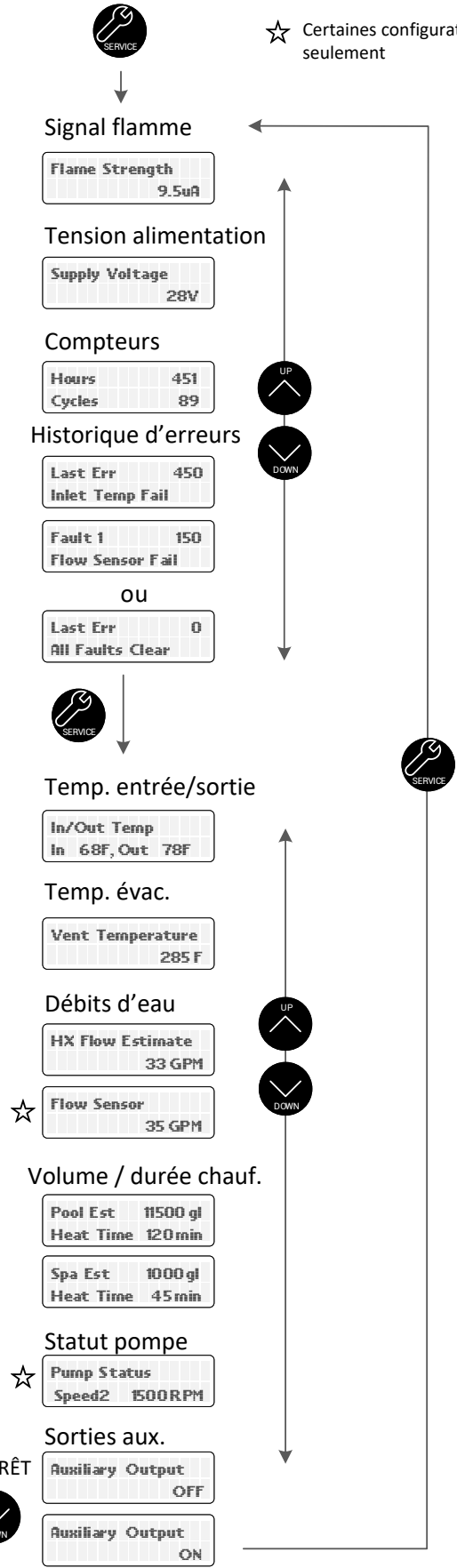


Figure 47. Écrans de fonctionnement et d'entretien

UNCONTROLLED DOCUMENT IF PRINTED

## Menu programmation

Pour accéder au menu de programmation, maintenez simultanément enfoncées les touches SERVICE et MODE pendant 5 à 7 secondes, jusqu'à ce que "Language" s'affiche à l'écran.

**NOTE:** toute modifications aux paramètres par défaut peut affecter le bon fonctionnement de l'appareil.

Appuyez séquentiellement sur la touche SERVICE jusqu'au menu désiré. Par défaut, il y a 12 paramètres programmables. Des paramètres additionnels pour le débitmètre, le contrôle de pompe et la qualité de l'eau peuvent aussi être activés et s'afficher. **Figure 48** présente les menus par défaut.

Language English	Lenguaje Español	Langue Français
Set Defaults	Defaults Set	
Reset Faults	Faults Cleared	
Temp Display Fahrenheit	Temp Display Celsius	
Spa Max Temp 50F	Spa Max Temp 107F	
Pool Max Temp 50F	Pool Max Temp 107F	
WiFi Reset	WiFi Initialized	
Automation Mode Enabled	Automation Mode Disabled	
Flow Monitoring Estimation	Flow Monitoring Flow Sensor	
Altitude Normal 0 to 4500ft	Altitude High Above 4500ft	
Pump Control Disabled	Pump Control Enabled	
Water Chemistry Disabled	Water Chemistry Enabled	

Figure 48. Paramètres programmables

## Sélection de langue

Le tout premier paramètre permet de sélectionner la langue d'affichage.

Appuyez sur les touches UP ou DOWN pour passer de l'anglais, à l'espagnol et au français.

## Réinitialiser les valeurs par défaut

Appuyez sur la touche SERVICE jusqu'à ce que ce menu s'affiche à l'écran. Maintenez simultanément enfoncées les touches SERVICE et MODE pendant 3 à 5 secondes jusqu'à ce que "Defaults Set" s'affiche.

Cette manipulation réinitialise les paramètres d'usine par défaut.

Par exemple, les points de consigne POOL et SPA reviennent à 18°C (65°F) et les réglages de température maximale POOL et SPA à 104°F (40°C). La langue par défaut est Anglais, la température en Fahrenheit, le mode automatisé est activé, l'altitude est à Normale, la surveillance du débit est à Estimer, le contrôle de la pompe et des paramètres d'eau sont désactivés. Le code NIP de verrouillage du module de commande est effacé et le module retourne à son mode de fonctionnement normal. Voir "Verrouillage du module" à la page 34.

## Réinitialisation des codes d'erreurs

Appuyez sur la touche SERVICE jusqu'à ce que "Clear Faults" s'affiche à l'écran. Maintenez simultanément enfoncées les touches SERVICE et MODE pendant 3 à 5 secondes jusqu'à ce que "Faults Cleared" s'affiche.

Cette manipulation efface l'historique des erreurs.

## Affichage de la température

Appuyez sur la touche SERVICE jusqu'à ce que "Temp Display" s'affiche à l'écran. Les touches UP ou DOWN permettent de basculer entre Fahrenheit et Celsius. Sélectionnez l'unité de température souhaitée.

## Réglage maximum du point de consigne spa

Appuyez sur la touche SERVICE jusqu'à ce que "Spa Max. Temp" s'affiche à l'écran. Appuyez sur les touches UP ou DOWN pour régler la température maximale à la valeur souhaitée. La valeur maximum admissible est de 107 °F (42°C).

## Réglage maximum du point de consigne piscine

Appuyez sur la touche SERVICE jusqu'à ce que "Pool Max. Temp" s'affiche à l'écran. Appuyez sur les touches UP ou DOWN pour régler la température maximale à la valeur souhaitée. La valeur maximum admissible est de 107 °F (42°C).

## Réinitialisation Wi-Fi

Appuyez sur la touche SERVICE jusqu'à ce que "Wi-Fi Reset" s'affiche à l'écran. Maintenez simultanément enfoncées les touches SERVICE et MODE pendant 3 à 5 secondes jusqu'à ce que "Wi-Fi Reset" s'affiche.

Cette manipulation réinitialise les identifiants Wi-Fi et

permet la configuration avec l'application Raymote. Pour plus de détails sur la façon de connecter l'appareil à Raymote, suivez les instructions à la page 58.

**Mode automatisé**

Appuyez sur la touche SERVICE jusqu'à ce que "Automation Mode" s'affiche à l'écran. Appuyez sur les touches UP ou DOWN pour activer ou désactiver le mode automatisé. Lorsqu'une routine automatisée est active, l'écran affiche "@" à la fin de la ligne 1.



Figure 49. Mode automatisé activé

Par défaut, le mode automatisé est activé. Pour plus de détails sur la configuration d'un horaire et de l'automatisation avec Raymote, voir page 58.

**Surveillance du débit**

Appuyez sur la touche SERVICE jusqu'à ce que "Flow Monitoring" s'affiche à l'écran. Appuyez sur les touches UP ou DOWN pour sélectionner "Estimation" ou "Flow Sensor".

Le paramètre par défaut est "Estimated". Cette fonction estime le débit lorsque l'appareil chauffe l'eau.

Ce signal peut être généré par un débitmètre optionnel à effet Hall de 5 VCC. Lorsque le débitmètre optionnel est utilisé, une fréquence de 1 Hz correspond à 1 GPM. Pour calibrer, définissez un gain dans le sous-menu "Flow Sensor Gain".



Figure 50. Sous-menu Flow Sensor Gain

**Commande de la pompe**

Appuyez sur la touche SERVICE jusqu'à ce que "Pump Control" s'affiche à l'écran. Appuyez sur les touches UP ou DOWN pour activer ou désactiver ce mode. Par défaut, le contrôleur de pompe est désactivé.

Ce contrôleur de pompe est compatible avec la pompe à vitesse variable Raypak RPVSP1.

Lorsque "Pump Control" est activé, les sous-menus de configuration de la vitesse s'affichent. Ces sous-menus permettent de sélectionner des vitesses de pompe prédéfinies de 1 à 4.

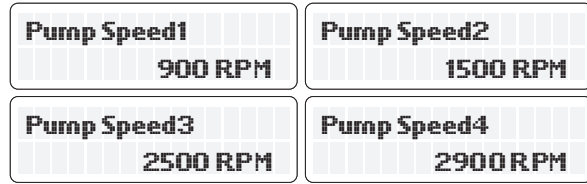


Figure 51. Sous-menu Pump Speed

**Paramètres d'eau**

Appuyez sur la touche SERVICE jusqu'à ce que "Water Chemistry" s'affiche à l'écran. Appuyez sur les touches UP ou DOWN pour activer ou désactiver ce mode. Par défaut, Water Chemistry est désactivé.

Ces fonctions sont compatibles avec le kit de surveillances des paramètres d'eau de Raypak.

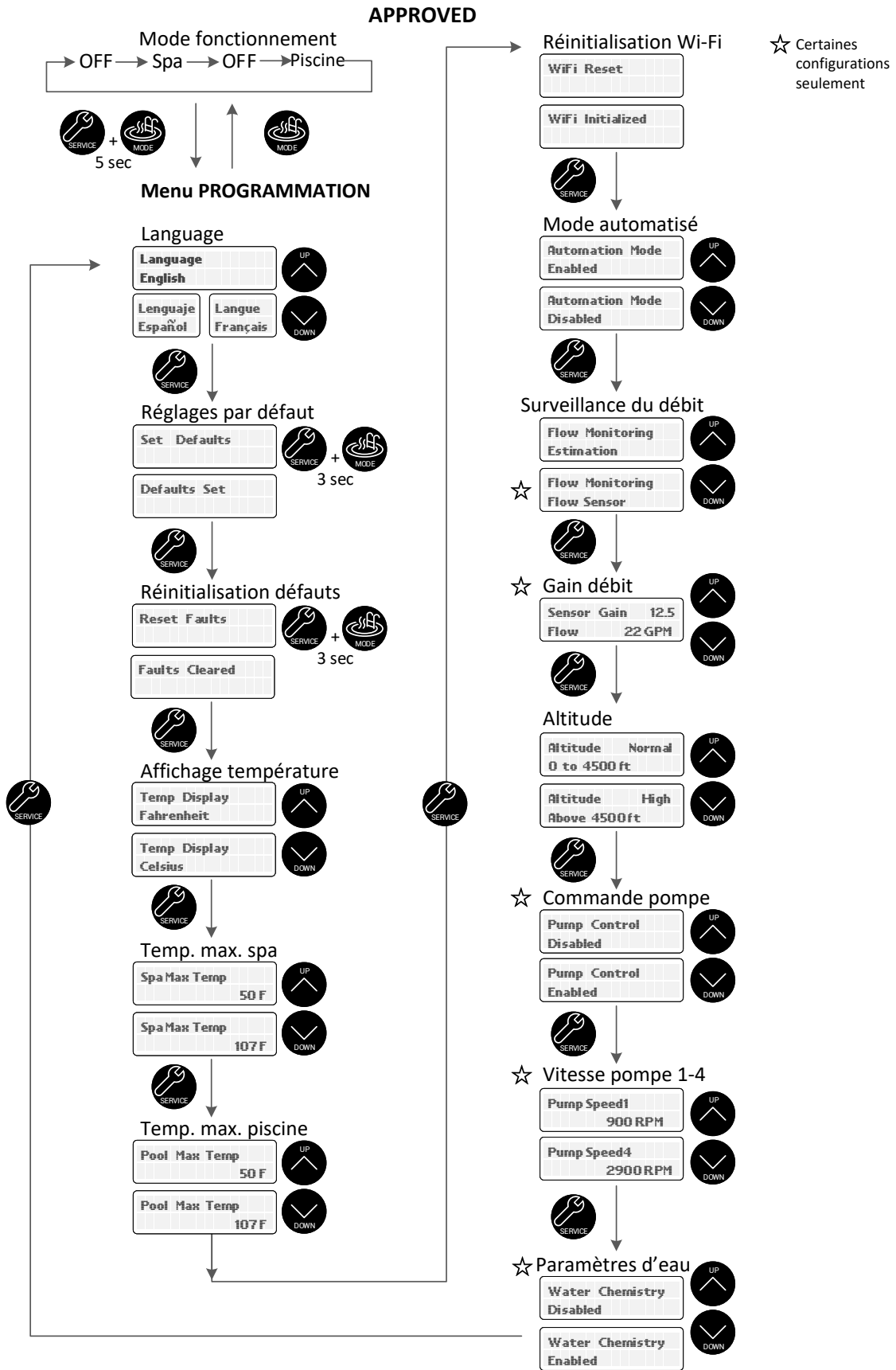


Figure 52. Écrans du menu de programmation

## Statut et diagnostic

L'écran ACL affiche une variété de messages d'état et diagnostiques.

Les messages de statut suivants s'affichent aux modes Pool, Spa et Remote lorsqu'il n'y a aucun message d'erreur actif.

Afficheur	Condition
No Demand	La température de l'eau est égale ou supérieure au point de consigne.
Pre-Purge	Appel de chaleur déclenché.
Spark	Allumage en cours.
Heating	Flammes présentes, l'appareil chauffe.
Post-purge	Cycle de chauffage terminé, l'appareil refroidit.

Tableau O. Message de statut

## Verrouillage de la commande

La commande de l'appareil est équipée d'une fonction de verrouillage empêchant toute altération ou réglage non autorisé des paramètres. Pour verrouiller la commande, appuyez simultanément sur les touches MODE et DOWN pendant 5 secondes. Définissez un code NIP à trois chiffres, en utilisant les touches haut et bas pour sélectionner les chiffres et la touche MODE pour confirmer les sélections. Confirmez votre sélection pour enregistrer le NIP.

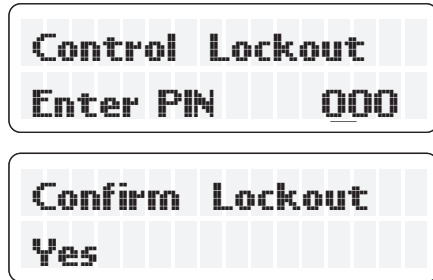


Figure 53. Verrouillage de la commande

Pour déverrouiller la commande, appuyez simultanément sur la touche MODE, UP ou DOWN pour afficher le menu ENTER PIN. Entrez le code NIP utilisé pour verrouiller la commande. À noter: la coupure de l'alimentation électrique ne réinitialise pas le verrouillage. À la suite du déverrouillage, l'écran affiche "LOCKBOX CLEARED". À la suite de l'entrée d'un NIP invalide, l'écran affiche "INVALID PIN".

En cas de perte du code NIP, sélectionnez SET FACTORY DEFAULTS dans le menu de programmation. Cela réinitialisera le NIP, lancera le fonctionnement normal de l'appareil et permettra la sélection d'un nouveau code NIP, si désiré. Lire la section Menu de programmation à la p.31 pour plus de détails.

**NOTE:** à la suite de la sélection de FACTORY DEFAULTS, les points de consigne POOL et SPA reviennent à 18°C (65°F) et les réglages de température maximale POOL et SPA à 104°F (40°C). Ces paramètres doivent être réglés à nouveau, au besoin. Les autres paramètres par défaut sont également appliqués.

## Verrouillage du clavier

Après 30 minutes d'inactivité, le module de commande verrouille automatiquement toutes les touches de l'interface utilisateur pour éviter un dérèglement involontaire. Suivez les instructions à l'écran pour déverrouiller le clavier. Appuyez sur la touche UP à 3 reprises, suivie de la touche MODE pour le déverrouiller.

Pour verrouiller manuellement le clavier, appuyez simultanément sur la touche SERVICE, MODE et DOWN pendant 3 à 5 secondes.

Les messages de statuts suivants s'affichent aux modes Pool, Spa et Remote lorsqu'il y a des messages d'erreurs actifs.

Afficheur	Condition
<b>In Sensor Fault</b>	Écart entre les températures des thermistances d'entrée d'eau supérieur à 3°F (1,5°C).
<b>In Sensor Open</b>	Échec thermistance d'entrée d'eau en position ouverte. Sous 6°F (-14°C).
<b>In Sensor Short</b>	Échec thermistance d'entrée d'eau en court-circuit. Au-dessus de 188°F (86,5°C).
<b>Out Sensor Open</b>	Échec thermistance de sortie d'eau en position ouverte. Sous 6°F (-14°C).
<b>Out Sensor Short</b>	Échec thermistance de sortie d'eau en court-circuit. Au-dessus de 188°F (86,5°C).
<b>Flue Sensor Open</b>	Échec d'ouverture du capteur de temp. d'évacuation. Au-dessus de 464°F (240°C).
<b>Flue Sensor Shrt</b>	Échec du capteur de temp. d'évacuation en court-circuit. Sous 7,5°F (-13,5°C).
<b>Flow Sensor Fail</b>	Lorsqu'équipé, lecture débitmètre hors plage (0 à 100 GPM).
<b>Flame w/o CFH</b>	Carte détecte la flamme lorsque la vanne à gaz est supposée être fermée.
<b>Gas Valve Fault</b>	La vanne de gaz est détectée ouverte alors qu'elle devrait être fermée. Verrouillage temporaire de 60 mins.
<b>Pump Ctl Fail</b>	Lorsqu'équipé, le contrôleur de pompe est activé mais ne répond pas aux commandes.
<b>WChem Brd Fail</b>	Lorsqu'équipé, le contrôleur chimique est activé mais ne répond pas aux commandes.
<b>Capt diff fermé</b>	Le module de commande détecte la fermeture du pressostat différentiel lorsque le ventilateur n'est pas alimenté.
<b>Diff Sw Open</b>	Le ventilateur est alimenté pendant 10 secondes sans fermeture du pressostat différentiel.
<b>Internal Fault ou EEPROM Fault</b>	Erreur mémoire. Réinitialiser consignes ou remplacer la carte.
<b>Clock/Fireman Sw</b>	Le circuit de la minuterie est ouvert.
<b>Low Temp Lockout</b>	La température de l'eau est inférieure à 36°F (2°C).
<b>Low Voltage</b>	Le contrôleur est alimenté à moins de 17 VCA.

Tableau P. Messages de statuts - Erreurs actives

Les messages suivant s'affichent uniquement lors d'un appel de chaleur.

Afficheur	Condition
<b>Flame Lost</b>	Flammes non détectées.
<b>Water Sw Open</b>	Détecteur de pression d'eau ouvert.
<b>Vent Sw Open</b>	Pressostat d'évacuation #1 ouvert.
<b>Hi Limit 1 Fault</b>	Limiteur de temp. #1 ouvert. Appuyer sur touche MODE pour relancer.
<b>Hi Limit 2 Fault</b>	Limiteur de temp. #2 ouvert. Appuyer sur touche MODE pour relancer.
<b>Cabinet Temp Lm</b>	Limiteur température interne ouvert.
<b>Air SW Open</b>	Pressostat ouvert.
<b>Fan Lockout</b>	3 erreurs pressostat lors du même appel de chaleur. Couper brièvement l'alimentation pour réinitialiser.
<b>Diff Sw Fault</b>	Échec pressostat différentiel ouvert.
<b>Ign Try Failure</b>	Échec d'allumage, première ou deuxième tentative.
<b>Ign 60 min Delay</b>	3 échecs vanne de gaz lors du même appel de chaleur. Verrouillage de 60 mins.
<b>Ignition Lockout</b>	Un seul essai d'allumage et verrouillage. Couper brièvement l'alimentation pour réinitialiser.
<b>Flue Over Temp</b>	Température d'évacuation supérieure à 390°F (199°C). Couper brièvement l'alimentation pour réinitialiser.
<b>Remote Wire Err</b>	Lorsque le mode Remote est actif, les entrées Spa et Pool sont sous tension.
<b>Outlet Over Temp</b>	Température de sortie supérieure à 180°F (82°C).
<b>Low Flow Fault</b>	Débit insuffisant dans l'appareil. Possibilité d'entartrage excessif.
<b>High Flow Fault</b>	Débit excessif dans l'appareil. Possibilité de condensation.
<b>Flue Low Temp</b>	Température d'évacuation inférieure à 175°F (80°C). Avertissement: possibilité de condensation.
<b>Flue Extreme Low</b>	Température d'évacuation inférieure à 140°F (60°C). Réparation requise. Appuyer sur touche MODE pour relancer.
<b>Call Service</b>	3 verrouillages du ventilateur, de l'allumage ou de basse température en 48 heures. Appeler réparateur.

Tableau Q. Messages de statuts - Appel de chaleur  
Voir guides de dépannage, pages 48 et 49 pour poser diagnostic.



**⚠ AVERTISSEMENT:** l'entretien approprié de cet appareil nécessite une certaine expertise, des habiletés mécaniques, des outils et de l'équipement appropriés. Si vous ne possédez pas ces outils et compétences, ne tentez pas de réparer cet appareil; effectuez uniquement les procédures d'entretien recommandées au présent manuel.

APPROVED

## Activation du thermostat

Pour activer ou désactiver le thermostat externe, appuyez et maintenez enfoncées les touches UP et DOWN pendant 3 à 5 secondes.

La 2e ligne de l'écran s'affiche même lorsque l'appareil est éteint ("No Demand").

**NOTE:** lorsque l'appareil est commandé par un thermostat externe, les touches Mode et du réglage de la température sont désactivées.

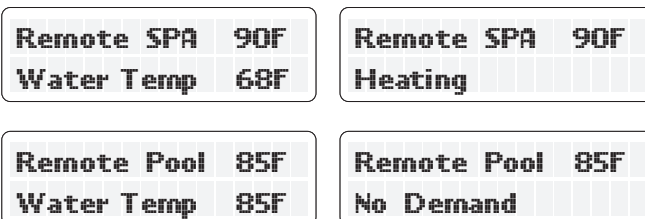
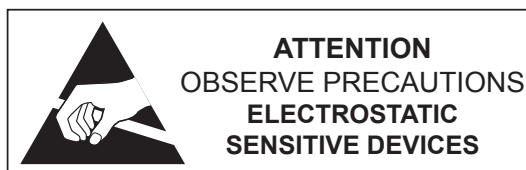


Figure 55. Menu thermostat externe - Activation

## Câblage d'un thermostat externe



**⚠ ATTENTION:** une décharge électrostatique peut endommager le câblage ou la carte électronique par contact direct ou indirect. Une personne à proximité de l'appareil pourrait avoir accumulé une charge électrostatique. Un éventuel contact d'un doigt pourrait causer une décharge et endommager l'appareil. Pour éviter ce type de dommage, la personne effectuant l'entretien doit se décharger, par exemple en touchant au boîtier métallique de l'appareil pendant 5 secondes avant de procéder.

### Notes d'installation importantes pour le câblage d'un thermostat externe:

- Le câblage du thermostat externe doit être acheminé dans un conduit séparé.
- Le câblage du thermostat externe ne doit pas être acheminé dans un conduit contenant des câbles sous tension.
- Pour une distance d'acheminement inférieure à 30 pi (9 m), utilisez des conducteurs torsadés (spires de 1,5 à 2,5 po) et gainés de calibre minimum 22 AWG, 600 V.
- Pour une distance d'acheminement supérieure à 30 pi (9 m), utilisez des conducteurs torsadés (spire de 1,5 à 2,5 po) et gainés de calibre minimum 20 AWG, 600 V.
- Longueur maximale de câble admissible: 200 pi (61 m).
- Qu'il s'agisse d'un thermostat à deux ou trois fils, il faut le raccorder au connecteur à trois broches qui équipe l'appareil.

## Installation et utilisation d'un thermostat externe

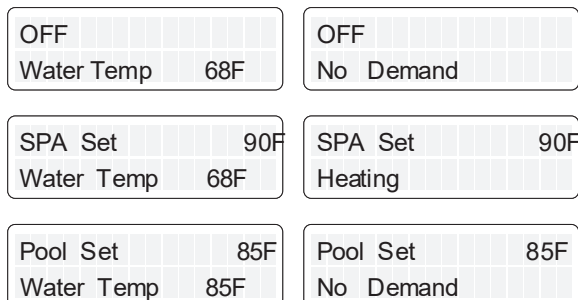
**⚠ ATTENTION:** avant de raccorder un thermostat externe à l'appareil, lisez ce qui suit: Cet appareil peut être commandé par un thermostat externe. L'écran affiche la température actuelle de la piscine, l'état de fonctionnement et les messages d'entretien. Voir Figure 54. Les touches du panneau de commande permettent de sélectionner la température de consigne de la piscine ou du spa. Le cas échéant, l'écran de l'appareil indique qu'il est commandé à distance. Avant de raccorder l'appareil à un thermostat externe, vérifiez s'il s'agit d'un système à deux ou trois fils. Suivez les instructions appropriées ci-dessous pour correctement raccorder le thermostat externe à l'appareil.

### Sélection d'un thermostat externe compatible

Cet appareil est équipé d'une interface permettant le raccordement à un thermostat externe. Il est équipé d'un connecteur à 3 broches dont l'un des câbles peut alimenter un interrupteur externe ou l'interrupteur intégré du thermostat externe. Il s'agit d'un simple circuit de commande en série qui peut être ouvert ou fermé. Le thermostat externe ne doit pas envoyer de tension à l'appareil, il doit seulement effectuer la fonction de commutation marche/arrêt. Les thermostats externes qui envoient une tension à l'appareil ne sont pas compatibles car cela risque d'endommager la carte électronique de l'appareil.

Pour faire fonctionner l'appareil à l'aide des signaux des sondes internes et d'une minuterie, voir la section "Minuterue" à la page 38.

### Modes Off, SPA, PISCINE



### Mode Ctrl distant



Figure 54. Modes de fonctionnement



**NOTE:** les câbles du thermostat externe doivent être raccordés au connecteur à 3 broches avant le raccordement du connecteur à la carte.

### Thermostat à deux fils (marche/arrêt)

Ces instructions supposent qu'une seule fonction de chauffage est requise (piscine ou spa).

1. Mettez le chauffe-piscine/spa en marche.
2. Dans le cas d'un thermostat à 2 fils sans capteur de température, appuyez sur la touche MODE pour atteindre le mode "POOL" ou "SPA" et sélectionnez la température de consigne souhaitée.
3. Dans le cas d'un thermostat à 2 fils avec capteur de température, appuyez sur la touche MODE pour atteindre le mode "POOL" ou "SPA" et réglez la température de consigne à sa plus haute valeur. Dans ce cas, c'est le thermostat externe qui régulera la température de consigne.
4. Mettez l'appareil à l'arrêt (touche MODE OFF) et coupez l'alimentation électrique.
5. Depuis le harnais de câble à 3 fils pour thermostat externe, connectez le fil BLEU d'un côté de l'interrupteur "REMOTE" et connectez l'autre côté de l'interrupteur au fil ORANGE/NOIR dans le cas d'un SPA ou au fil NOIR/ORANGE pour une piscine. Voir **Figure 57**.
6. Utilisez l'écrou pour raccorder le fil inutilisé au harnais de câble 3 fils pour thermostat externe.
7. Connectez le harnais de câble 3 fils pour thermostat externe au connecteur P8 et mettez l'appareil à ON. Voir **Figure 57**.

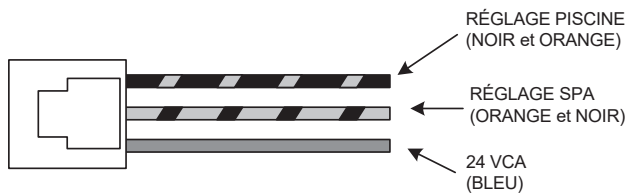


Figure 56. Harnais de câble 3 fils pour thermostat externe

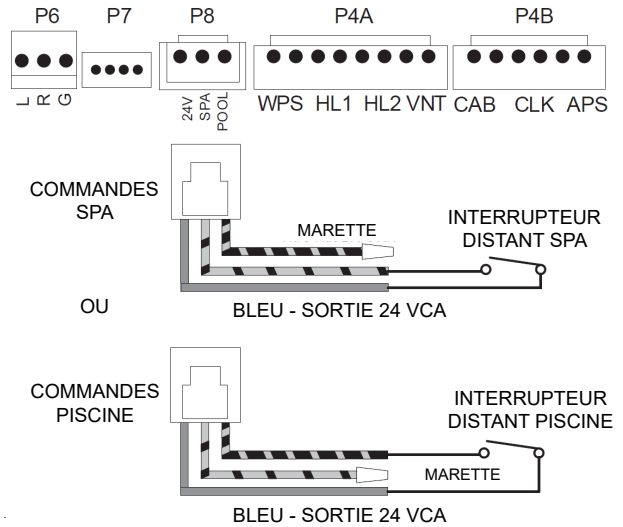


Figure 57. Harnais de câble 2 fils pour thermostat externe

### Thermostat externe à 3 fils et interrupteur à 3 positions (Pool-Off-Spa ou Low-Off-High)

Ces instructions supposent que les deux fonctions de chauffage sont requises (piscine et spa).

1. Mettez l'appareil en marche.
2. Appuyez sur la touche MODE pour sélectionner POOL ou SPA et réglez la température désirée pour chacun (ex.: 80°F (27°C) pour la piscine et 102°F (39°C) pour le spa).
3. Mettez l'appareil à l'arrêt (touche MODE OFF) et coupez l'alimentation électrique.
4. Depuis le harnais de câble à 3 fils pour thermostat externe, connectez le fil BLEU d'un côté de l'interrupteur "REMOTE" et connectez l'autre côté de l'interrupteur au fil ORANGE/NOIR dans le cas d'un SPA ou au fil NOIR/ORANGE pour une piscine. Voir **Figure 57**.
5. Connectez le harnais de câble 3 fils pour thermostat externe au connecteur P8 et mettez l'appareil à ON. Voir **Figure 58**.

Pour activer le thermostat externe, reportez-vous à la section **Activation du thermostat à la page 36**.

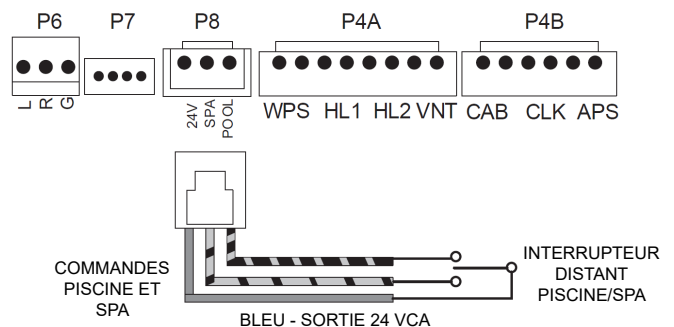


Figure 58. Harnais de câble 3 fils pour thermostat externe

## APPROVED

### Réglage du détecteur de pression d'eau

Lorsque l'appareil est positionné sous le niveau du spa ou de la piscine, il peut être nécessaire de régler le détecteur pour compenser la pression statique. Procédure de réglage du détecteur de pression (si requis):

1. Assurez-vous que le filtre de piscine est propre avant de régler le détecteur de pression.
2. Réglez la commande de chauffage à OFF.
3. Mettez la pompe en marche et confirmez la fermeture du détecteur de pression, à l'aide d'un multimètre). Si le détecteur de pression ne se ferme pas, soit le réglage du détecteur est trop élevé, soit la pompe de filtration fournit une pression insuffisante.
4. Mettez l'appareil en marche.
5. Faites pivoter le bouton de réglage de la pression dans le sens horaire jusqu'à ce que l'appareil s'éteigne (un tournevis plat peut être requis si le bouton est trop serré).
6. Faites lentement pivoter le bouton de réglage dans le sens antihoraire jusqu'au déclenchement d'un appel de chaleur.
7. Faites pivoter sur un demi-tour supplémentaire dans le sens antihoraire.
8. Pendant que l'appareil fonctionne, vérifiez le réglage en éteignant et en allumant la pompe à plusieurs reprises. Les brûleurs doivent s'éteindre immédiatement lorsque la pompe s'arrête. Si ce n'est pas le cas, répétez les étapes ci-dessus jusqu'à l'observation du fonctionnement approprié.

## Minuterie

Pour faire fonctionner l'appareil à l'aide d'une minuterie, connectez-la au connecteur correspondant.

La minuterie doit être à interrupteur double et doit éteindre l'appel à la chaleur de 15 à 20 minutes avant l'arrêt de la pompe de piscine.

Le connecteur de minuterie se trouve dans la boîte de jonction. Raccordez la minuterie au fil cavalier violet marqué "Where necessary" et "Fireman's switch circuit here". Voir **Figure 59**.

**La minuterie doit être à contact sec et ne doit pas alimenter l'appareil de chauffage. L'utilisation d'une minuterie avec source d'alimentation externe peut cause des dommages qui ne sont pas couverts par la garantie.**

La longueur du câblage ne peut être supérieure à 50 pi (15 m) avec un câble en cuivre torsadé de 18 AWG, température nominale de 221°F (105°C).

**NOTE:** lors de l'utilisation d'une minuterie, l'appareil affiche "Clock/Fireman Sw" lorsque le circuit est ouvert, ce qui indique que la minuterie bloque les appels de chaleur.

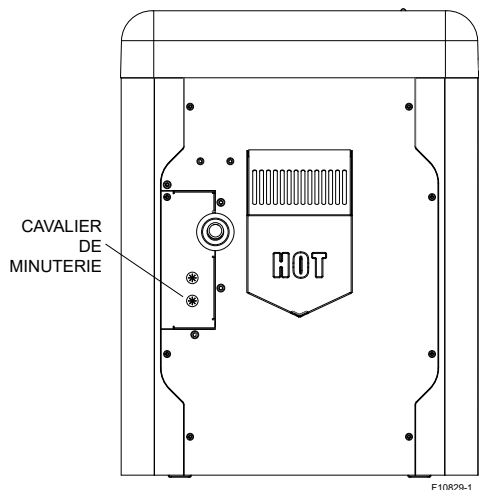


Figure 59. Emplacement des câbles de minuterie

## Détecteur de pression d'eau

Le détecteur de pression d'eau assure que l'appareil fonctionne uniquement lorsque la pompe de filtration fonctionne. Il se trouve sur le distributeur d'entrée/sortie. Il est réglé en usine à 1,75 PSI pour une installation près du niveau d'eau.

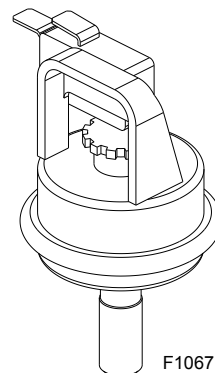


Figure 60. Assemblage du détecteur de pressions d'eau

**NOTE:** les panneaux d'accès en métal doivent être en place en tout temps pour protéger détecteur de pression d'eau de la pluie et des éléments.

## APPROVED

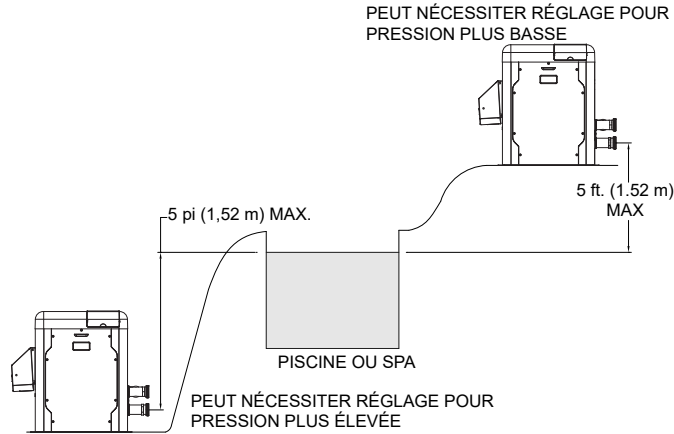


Figure 61. Configurations nécessitant un réglage

**NOTE:** si l'appareil est installé au-delà des limites indiquées, un détecteur de pression d'eau plus puissant (11 psi/76 kPa) peut être requis. Il est aussi possible d'utiliser un débitmètre monté à proximité de l'appareil, au lieu du détecteur de pression d'eau monté en usine. Voir "Liste des pièces illustrée" à la page 66 pour le détecteur de pression d'eau de 11 psi/76 kPa).

### Pompes à deux vitesses

Dans certains cas, le débit à basse vitesse est insuffisant pour faire fonctionner l'appareil. Cela est évident lorsque les limites du détecteur de pression d'eau sont atteintes ou si l'appareil émet des bruits sourds ou s'éteint à la limite supérieure. Dans ces cas, la pompe doit être mise en marche à grande vitesse lors du chauffage de l'eau.

**ATTENTION:** ne faites pas fonctionner l'appareil sans détecteur de pression d'eau ou débitmètre correctement calibré.

### Limiteur de température interne

L'appareil est équipé d'un limiteur de température interne pour éviter la surchauffe des composants à l'intérieur de l'armoire en cas de fuite des gaz de combustion. C'est un limiteur à réarmement manuel qui doit être remis à zéro par le technicien d'entretien après la réparation de toute éventuelle fuite ou dommage.

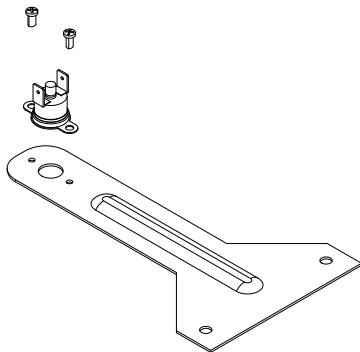


Figure 62. Limiteur de température interne - Réarmement manuel

## Limiteurs de température

Le distributeur d'entrée/sortie est aussi équipé de deux limiteurs à réarmement automatique. Même si les deux limiteurs sont pré-réglés pour automatiquement de réinitialiser, l'appareil demandera à l'opérateur d'appuyer sur MODE si l'un ou l'autre des limiteurs se déclenche pendant que l'appareil fonctionne.

**NOTE:** l'ouverture erratique du limiteur de température peut être un symptôme d'un problème d'échangeur de chaleur (ex.: entartrage) ou d'une vanne de dérivation défectueuse. Reportez-vous à "Troubleshooting" à la page 47.

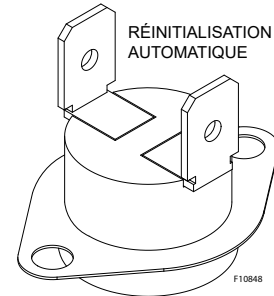


Figure 63. Limiteur de température

### Retrait du limiteur de température

1. Coupez l'alimentation électrique de l'appareil.
2. Retirez le panneau d'accès entrée/sortie en métal.
3. Enlevez le limiteur défectueux et remplacez-le.
4. Réinstallez le panneau d'accès.

### Réglage de la pression du distributeur

1. Retirez le couvercle pour accéder à la vis de réglage.
2. Faites tourner la vis de réglage dans le sens horaire pour augmenter la pression (ex.: -0,6 po c.e., une rotation horaire augmente la pression à -0,5 po c.e., -0,4 po c.e., etc.).
3. La pression au distributeur doit être de -0,30 po c.e. (+/- 0,20 po c.e.) lorsque l'appareil fonctionne. Si vous disposez d'un analyseur de combustion, la concentration d'O<sub>2</sub> doit être réglée entre 4,5 et 5,5% lorsque l'appareil chauffe.
4. Réinstallez le couvercle avant de lire la pression au distributeur.

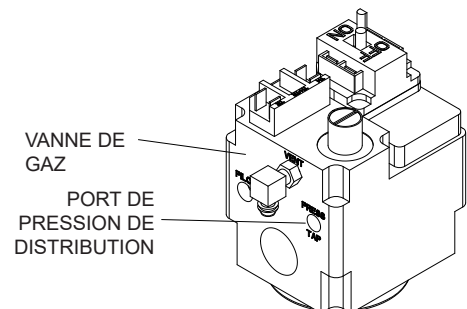
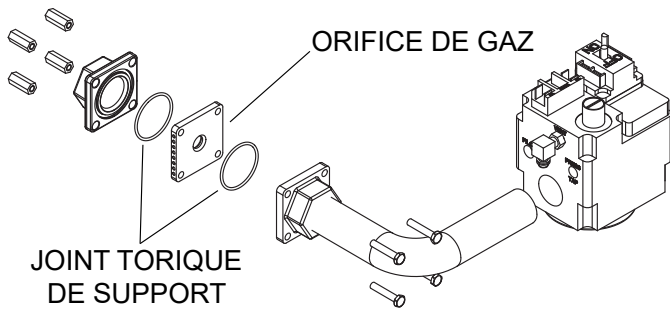


Figure 64. Réglage de pression au distributeur

**APPROVED**

**Retrait de l'orifice**

1. Fermez le robinet d'arrêt manuel externe.
2. Desserrez le raccord-union du gaz.
3. Retirez le couvercle de l'appareil.
4. Retirez les quatre boulons et écrous qui maintiennent l'orifice de gaz en place. Voir **Figure 65**.
5. Retirez délicatement l'orifice de gaz et n'égarez pas les joints toriques apposés aux brides.
6. Inspectez ou remplacez l'orifice.



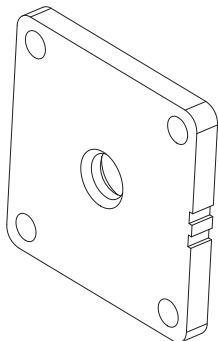
**Figure 65. Emplacement de l'orifice**

**Sélection du gaz et de l'orifice**

La taille des orifices d'admission d'air et de gaz DOIVENT correspondre pour obtenir le ratio air/gaz approprié. Les orifices sont correctement appariés lorsque le nombre de poches sur le côté de l'orifice de gaz est le même que le nombre d'encoches sur la bordure de l'orifice d'air. La sélection de l'orifice est basée sur l'altitude et non sur le carburant utilisé. Voir **Tableau R**.

L'orifice de gaz est situé sur le train de gaz, entre la vanne de gaz et le ventilateur de combustion. L'orifice d'air est situé près du raccord d'entrée du ventilateur à combustion.

**NOTE:** les orifices pour le gaz propane ont un fini oxyde noir.



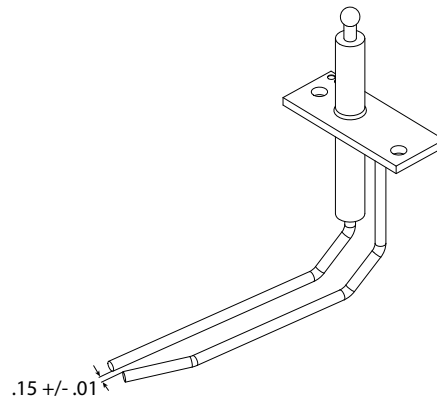
**Figure 66. Orifice de gaz**

Poches/ encoches	Modèle	Type gaz	Fini
1	264	Naturel	Aucune
2	404		
1	264	Propane	Noir
2	404		

**Tableau R. Sélection de l'orifice de gaz**

**Retrait de l'allumeur.**

1. Retirez le couvercle supérieur.
2. Déconnectez le câble de l'allumeur.
3. Utilisez une clé M10 pour retirer les deux écrous retenant l'allumeur.
4. Retirez soigneusement l'allumeur et le joint d'étanchéité.
5. Lors du remplacement de l'allumeur, assurez-vous de réinstaller un joint d'étanchéité neuf.



**Figure 67. Allumeur**

**Retrait du brûleur**

1. Lire la procédure Retrait du ventilateur de combustion ci-dessous. Il faut retirer le ventilateur pour atteindre le brûleur.
2. Une fois le ventilateur est retiré, utilisez une clé M10 pour enlever les écrous du brûleur.
3. Assurez-vous de réinstaller un joint d'étanchéité neuf lors de la réinstallation du brûleur.

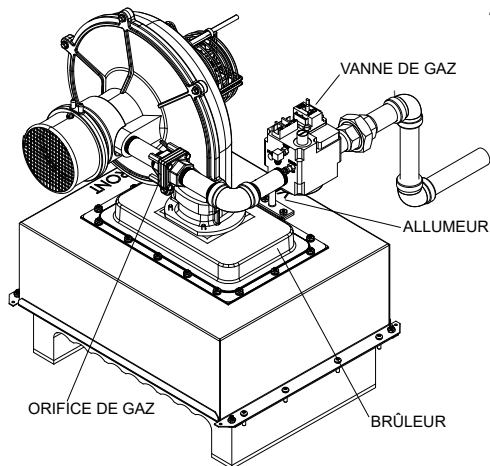


Figure 68. Brûleur/Train à gaz

### Retrait du ventilateur de combustion

1. Coupez l'alimentation électrique de l'appareil.
2. Coupez l'alimentation en gaz en amont de l'appareil.
3. Retirez le couvercle supérieur.
4. Déconnectez la conduite de gaz de la vanne de gaz en ouvrant le raccord-union de la conduite d'alimentation en gaz.
5. Déconnectez le connecteur d'alimentation électrique du ventilateur.
6. Déconnectez le câble d'alimentation 24 V de la vanne à gaz.
7. Retirez les tubes d'aspiration du venturi et du ventilateur.
8. Utilisez une clé M10 pour enlever les 4 écrous de la base du ventilateur. Soulevez et retirez le ventilateur.

### Retrait de la vanne de gaz

1. Coupez l'alimentation en gaz de l'appareil.
2. Retirez le couvercle supérieur.
3. Ouvrez le raccord-union de la conduite d'alimentation en gaz.
4. Retirez les câbles d'alimentation 24V de la vanne de gaz.
5. Retirez le tub entre la vanne de gaz et le venturi.
6. Utilisez une clé à tuyau pour maintenir l'autre extrémité du train de gaz (tuyau relié au ventilateur), tout en utilisant une autre clé à tuyau pour faire pivoter la vanne de gaz dans le sens antihoraire et la retirer. Il est aussi possible de retirer la bride d'orifice de gaz pour accéder à la vanne de gaz.

### Retrait de l'échangeur de chaleur

1. Coupez l'alimentation en eau, gaz et électricité de l'appareil. Libérez la pression dans les conduites d'eau. Ensuite, retirez les conduites d'eau de l'appareil.
2. Retirez le couvercle supérieur. Déconnectez les fils d'alimentation de l'interrupteur à bascule, qui provient de l'interface-utilisateur. Mettez le couvercle de côté.

### APPROVED

Il est plus facile de travailler sur l'appareil lorsque le couvercle est totalement enlevé, non obligatoire.

3. Effectuez la procédure Retrait du ventilateur de combustion.
4. Utilisez un tournevis Philips pour enlever les vis de tous les panneaux externes.
5. Utilisez un tournevis à tête Philips pour enlever les 8 vis à tôle de la chambre de combustion (il y en a 4 de chaque côté), et les 2 pièces de tôle qui maintiennent la chambre de combustion sur les panneaux latéraux.
6. Soulevez délicatement la chambre de combustion supérieure de la base et retirez-la de l'appareil.
7. Utilisez une clé de ½ po pour retirer les 8 écrous des supports latéraux qui maintiennent l'échangeur de chaleur sur la base (2 écrous par support).
8. Utilisez une clé à molette pour retirer les (2) capteurs de température situés sur le côté du distributeur d'entrée/sortie.
9. Retirez les 4 fils connectés aux limiteurs de température.
10. Soulevez l'échangeur de chaleur et retirez-le de l'appareil.

### Nettoyage de la tubulure interne

Établissez une routine d'inspection périodique, en fonction de la qualité de l'eau et de l'intensité d'utilisation. Il s'agit d'éviter l'encrassement des tubulures internes; nettoyez les dépôts de plus de 1/16 po (1,6 mm) d'épaisseur.

Il est possible de nettoyer l'appareil depuis le raccord de retour du distributeur d'entrée/sortie. Il est toutefois préférable d'ouvrir les deux raccords pour obtenir un meilleur accès à la tubulure interne et éviter la dispersion du tartre dans le système.

Après la première passe de nettoyage, montez la brosse métallique et nettoyez tout débris restant dans les tubes.

Une autre méthode consiste à enlever l'échangeur de chaleur, nettoyer les tubes et à immerger l'échangeur de chaleur dans une solution de détartrage non inhibée.

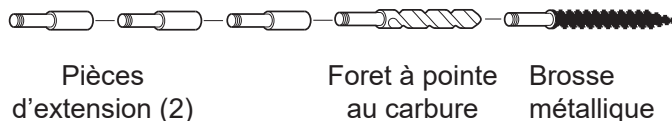


Figure 69. Kit de nettoyage du tartre (#052871F)

### Procédure de ramonage

**AVERTISSEMENT:** la suie est combustible. Procédez avec précaution.

La suie peut obstruer les ailettes et provoquer une surchauffe et causer une défaillance des tubulures internes. La présence de suie à la base des brûleurs ou autour des panneaux externes signale un besoin de nettoyage.



1. Retirez l'échangeur de chaleur comme indiqué dans la section "Retrait de l'échangeur de chaleur".
2. On retrouve sur les parois ou le fond de l'échangeur de chaleur (varie selon le modèle) un déflecteur qui doit être enlevé.
3. Retirez l'échangeur de chaleur de l'appareil et rincez-le avec un boyau d'arrosage, en veillant à éliminer la suie entre les ailettes.
4. Inversez la procédure de retrait de l'échangeur de chaleur pour réinstaller.

**NOTE:** dans les cas d'extrême encrassement, il peut être nécessaire de nettoyer l'échangeur à la vapeur sous pression. NE PAS UTILISER DE BROSSE MÉTALLIQUE.

## Réinstallation de l'échangeur de chaleur

Assurez-vous que le matériau réfractaire de la chambre de combustion supérieure est bien positionné lors de la réinstallation de l'échangeur de chaleur. Une négligence à cet effet risque d'endommager l'appareil et de causer des conditions de fonctionnement potentiellement dangereuses. Voir **Figure 70**.

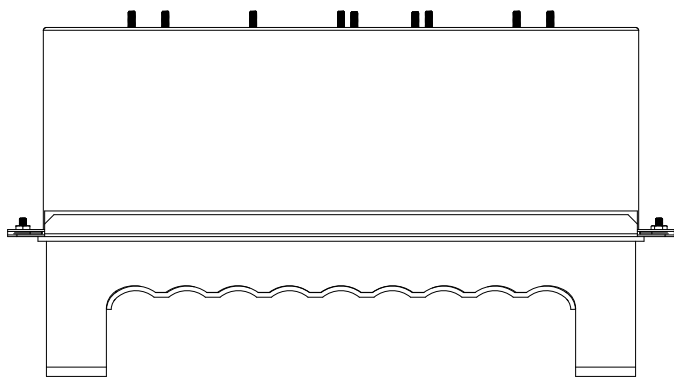


Figure 70. Chambre de combustion supérieure

## Remplacement du régulateur Unitherm

1. Coupez l'alimentation en eau, en gaz et en électricité, fermez les vannes et libérez la pression du système.
2. Drainez l'échangeur de chaleur.
3. Retirez le bouchon de vidange situé à côté du raccord de sortie.
4. Retirez l'ancien régulateur pour retirer le bouchon de vidange. Insérez le nouveau régulateur.
5. Réinstallez le bouchon de vidange, en prenant soin de lubrifier le joint d'étanchéité avec une graisse non pétrolière, ex.: AquaLube.

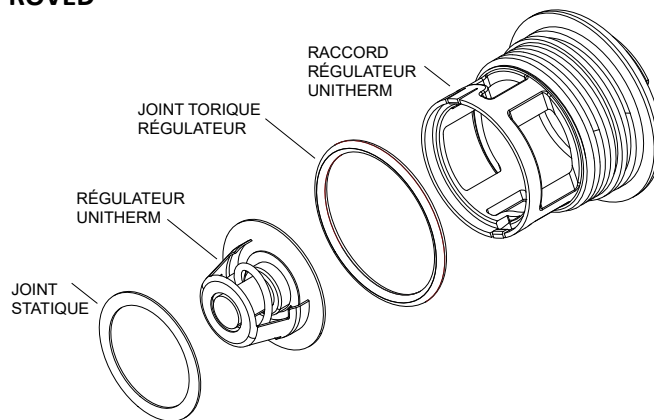


Figure 71. Régulateur Unitherm

Pour vérifier le bon fonctionnement du régulateur Unitherm, placez-le dans de l'eau chaude à plus de 49°C (120 °F) et surveillez le mouvement du ressort. S'il n'y a aucun mouvement, remplacez-le.

**AVERTISSEMENT:** lors du retrait du brûleur ou de l'échangeur de chaleur, évitez de soulever de la poussière et d'inhaler d'éventuelles fibres en suspension dans l'air. Pour balayer un dégât, utilisez un balai humide ou un aspirateur muni d'un filtre à haute efficacité (HEPA) pour minimiser la mise en suspension de poussière dans l'air. Utilisez des techniques de contrôle de la poussière, comme l'utilisation d'un ventilateur d'extraction dans la pièce ou d'un système de collecte de la poussière pour minimiser la mise en suspension de poussière. Portez un équipement de protection individuelle approprié, y compris des gants, des lunettes de sécurité à protecteurs latéraux et une protection respiratoire certifiée NIOSH appropriée, afin d'éviter l'inhalation de poussière et de particules de fibres en suspension dans l'air.



## 8. INSTRUCTIONS D'UTILISATION

### Avant la mise en marche

#### Brûleurs

Assurez-vous que les lieux d'installation de l'appareil sont exempts de matières combustibles, de liquides inflammables et de produits chimiques. NE PAS restreindre l'apport d'air comburant ou de ventilation.

#### Alimentation en eau

L'eau doit circuler à travers l'appareil pendant son fonctionnement. Assurez-vous que le système est rempli d'eau et que la pompe fonctionne. Le débit minimal assurant le bon fonctionnement de l'appareil est de 40 GPM (151 lpm).

### Procédure de mise en marche

Cet appareil a été conçu pour chauffer de façon sûre et fiable l'eau de votre piscine/spa pendant de nombreuses années. Il est équipé d'un système d'allumage électronique. Ce manuel fournit des informations sur l'installation, le fonctionnement, l'entretien et la réparation de cet appareil.

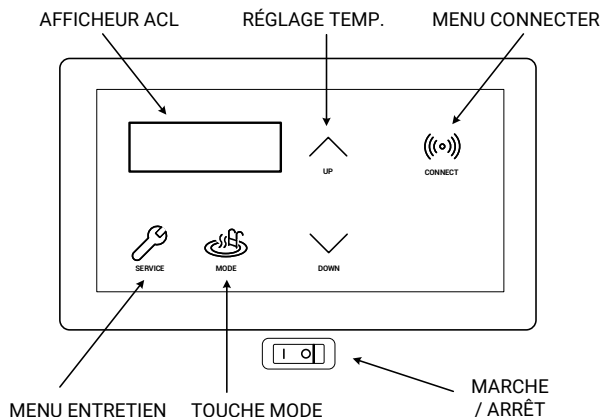


Figure 72. Interrupteur de l'appareil

Si l'appareil est correctement installé, il est très facile de le faire fonctionner. On retrouve au haut du panneau avant une interface de commande qui permet d'allumer ou d'éteindre l'appareil et de sélectionner les paramètres de fonctionnement de la piscine ou du spa. La plage de réglage de la température est définie en usine entre 65°F (18°C) et 104°F (40°C). Voir **Figure 72** pour connaître l'emplacement de l'interrupteur de mise en marche et d'arrêt de l'appareil.

Reportez-vous à la section **Module de commande** de la page 27 pour plus de détails sur son utilisation et ses réglages.

### Après la mise en marche

Touchez aux tuyaux d'entrée et de sortie d'eau. Le tuyau de sortie doit être légèrement plus chaud que le tuyau d'entrée. Il ne devrait PAS être chaud.

**AVERTISSEMENT:** en cas de surchauffe ou si l'alimentation en gaz ne se referme pas automatiquement, fermez le robinet d'arrêt manuel situé sur la canalisation d'alimentation en gaz du chauffe-eau.

**AVERTISSEMENT:** en cas de surchauffe ou si l'alimentation en gaz n'est pas coupée, fermez le robinet d'arrêt manuel de la conduite d'alimentation en gaz.

### Détecteur de pression d'eau

Cet appareil est équipé d'un détecteur de pression permettant d'éteindre les brûleurs en cas d'interruption de l'alimentation en eau. Il est très important de s'assurer que ce détecteur puisse activer ou désactiver la vanne de gaz en fonction du débit qui traverse l'appareil. Un débit insuffisant risque de rapidement et irrémédiablement endommager l'appareil.

Le bon fonctionnement du détecteur de pression d'eau doit être vérifié et réglé par un technicien d'entretien qualifié lors de l'installation et périodiquement par la suite. Reportez-vous à "**Réglage du détecteur de pression d'eau**" à la page 38.

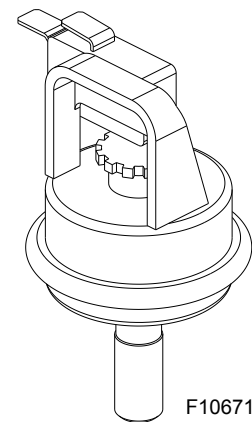


Figure 73. Détecteur de pression d'eau

**AVERTISSEMENT:** le fonctionnement de l'appareil en l'absence de circulation d'eau lui causera des dommages rapides et graves, qui ne sont pas couverts par la garantie.

APPROVED  
INSTRUCTIONS D'UTILISATION ET PROCÉDURES D'ARRÊT - SYSTÈMES À ALLUMAGE DIRECT

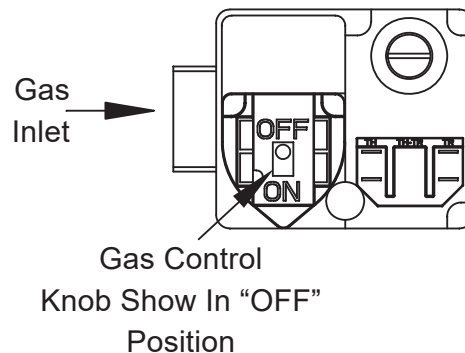
FOR YOUR SAFETY READ BEFORE LIGHTING

**⚠ WARNING:** If you do not follow these instructions exactly, a fire or explosion may result causing property damage, personal injury or loss of life.

- A. This appliance does not have a pilot. It is equipped with an ignition device which automatically lights the burner. **DO NOT** try to light the burner by hand.
- B. **BEFORE OPERATING** smell all around the appliance area for gas. Be sure to smell next to the floor because some gas is heavier than air and will settle on the floor.
- WHAT TO DO IF YOU SMELL GAS:
- Do not try to light any appliance.
  - Do not touch any electric switch; do not use any phone in your building.
  - Immediately call your gas supplier from a neighbor's phone. Follow the gas supplier's instructions.
  - If you cannot reach your gas supplier, call the fire department.
- C. Use only your hand to turn the gas control ON or OFF. Never use tools. If you cannot change the ON/OFF setting by hand, do not try to repair it, call a qualified service technician. Force or attempted repair may result in a fire or explosion.
- D. Do not use this appliance if any part has been under water. Immediately call a qualified service technician to inspect the appliance and to replace any part of the control system and any gas control which has been under water.

LIGHTING INSTRUCTIONS

1. STOP! Read the safety information above on this label.
2. Set the thermostat to the lowest settings.
3. Turn off all electric power to the appliance.
4. This appliance does not have a pilot. It is equipped with an ignition device which automatically lights the burner. **Do not try to light the burner by hand.**
5. Remove the heater's top panel.
6. Pull toggle style switch away from you to turn gas "OFF".
7. Wait five (5) minutes to clear out any gas. Then smell for gas, including near the floor. If you smell gas STOP! Follow "B" in the safety information above on this label. If you don't smell gas, go to the next step.
8. Push the toggle switch towards you to turn the gas "ON".
9. Replace heater door panel.
10. Turn on all electric power to the appliance.
11. Set thermostat to desired setting.
12. If the appliance will not operate, follow the instructions "To Turn Off Gas To Appliance" and call your service technician or gas supplier.



TO TURN OFF GAS TO APPLIANCE

1. Set the thermostat at the lowest setting.
2. Turn off all the electrical power to the appliance if service is to be performed.
3. Remove the heater's top panel.
4. Pull toggle style switch away from you to turn gas "OFF".
5. Replace heater door panel.

APPROVED  
INSTRUCTIONS D'UTILISATION ET D'ARRÊT - SYSTÈMES À ALLUMAGE DIRECT  
MODÈLES NUMÉRIQUES À ALLUMAGE ÉLECTRONIQUE  
SYSTÈME À ALLUMAGE DIRECT

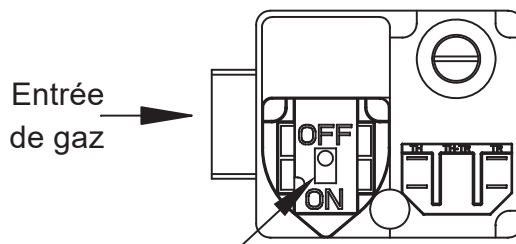
POUR VOTRE SÉCURITÉ, LISEZ AVANT DE METTRE EN MARCHÉ

**AVERTISSEMENT:** tout manquement aux présentes directives peut causer un incendie ou une explosion résultant en des dommages matériels, des blessures ou la mort.

- A. Cet appareil n'est pas équipé d'une veilleuse. Le brûleur est plutôt muni d'un dispositif d'allumage automatique. Ne pas tenter d'allumer le brûleur manuellement.
  - B. AVANT LA MISE EN MARCHÉ, humez tout autour de l'appareil afin de déceler une éventuelle odeur de gaz. Sentez aussi près du sol, car certains gaz sont plus lourds que l'air et s'y accumulent.  
SI VOUS DÉTECTEZ UNE ODEUR DE GAZ:
    - Ne mettez aucun appareil en marche. Ne pas toucher à aucun interrupteur; ne pas se servir des téléphones se trouvant dans le bâtiment.
- Appelez immédiatement votre fournisseur de service du gaz de chez un voisin et suivez ses directives.
  - Si vous ne pouvez communiquer avec votre fournisseur de gaz, appelez le Service des incendies.
- C. Servez-vous uniquement de vos mains pour faire tourner le bouton de réglage du gaz, n'utilisez jamais d'outils. Si vous n'arrivez pas à le faire tourner à la main, ne tentez pas de le réparer; appelez un technicien d'entretien qualifié. Si vous le forcez ou tentez de le réparer, il a risque d'explosion ou d'incendie.
  - D. N'utilisez pas cet appareil même s'il n'a été que partiellement submergé dans l'eau. Appelez immédiatement un technicien d'entretien qualifié afin qu'il inspecte le chauffe-eau et remplace toute composante ayant été plongée dans l'eau.

INSTRUCTIONS D'ALLUMAGE

1. ARRÊTEZ! Lisez les directives de sécurité au haut de cette étiquette.
2. Réglez le thermostat à son plus bas point de consigne.
3. Coupez l'alimentation électrique de l'appareil.
4. Cet appareil n'est pas équipé d'une veilleuse. Le brûleur est plutôt muni d'un dispositif d'allumage automatique. Ne tentez pas d'allumer le brûleur manuellement.
5. Retirez le panneau supérieur de l'appareil.
6. Poussez sur l'interrupteur vers l'intérieur de l'appareil pour couper le gaz.
7. Attendez cinq minutes afin de laisser se dissiper tout gaz ayant pu s'accumuler. Puis sentez pour tenter de détecter une odeur de gaz, y compris près du sol. Si vous détectez une odeur de gaz, ARRÊTEZ! Suivez la directive de sécurité "B" au haut de cette étiquette. Si vous ne détectez pas une odeur de gaz, passez à l'étape suivante.
8. Déplacez l'interrupteur vers vous pour ouvrir le gaz.
9. Remplacez le panneau de l'appareil.
10. Réalimentez l'appareil en électricité.
11. Réglez le thermostat à la température requise.
12. Si l'appareil ne se met pas en marche, suivez la directive "Couper l'alimentation en gaz de l'appareil" ci-dessous et appelez un technicien d'entretien qualifié ou le fournisseur du gaz.



Le bouton de contrôle du gaz montre en position "OFF"

COUPER L'ALIMENTATION EN GAZ DE L'APPAREIL

1. Réglez le thermostat à son plus bas point de consigne.
2. Coupez l'alimentation électrique de l'appareil lors de tout entretien.
3. Retirez le panneau supérieur de l'appareil.
4. Poussez sur l'interrupteur vers l'intérieur de l'appareil pour couper le gaz.
5. Remplacez le panneau de l'appareil.

## 9. MAINTENANCE ET ENTRETIEN

**⚠ AVERTISSEMENT:** inspectez l'appareil pour détecter d'éventuels nids de rongeurs après de longues périodes d'inutilisation.

Effectuez les opérations de maintenance suivantes un an après le démarrage initial, puis aux six mois par la suite.

1. Inspecter et faites fonctionner toutes les commandes, la vanne de gaz et la soupape de surpression (si équipé).
2. Dans le cas d'une installation intérieure, dégagez toutes les ouvertures d'admission d'air pour assurer un apport adéquat d'air comburant et de ventilation.

**⚠ ATTENTION:** l'air comburant ne doit pas être contaminé par des vapeurs corrosives pouvant causer à l'appareil des dommages non couverts par la garantie. De tels dommages ne sont pas couverts par la garantie.

3. Les environs de l'appareil doivent être libres de tout matériau combustible, d'essence, ainsi que de liquides et vapeurs inflammables.

### Si l'appareil ne s'allume pas:

Si l'appareil n'est pas alimenté en électricité, il se peut que le disjoncteur du circuit se soit déclenché. Tentez de le réenclencher.

Si l'appareil est alimenté en électricité, mais qu'il ne se met pas en marche, vérifiez les éléments suivants ou consultez **Dépannage à la page 47:**

1. La minuterie doit être active.
2. La crépine de la pompe de filtration peut être pleine. Le cas échéant, retirez les débris.
3. Le filtre peut être encrassé. Le cas échéant, effectuez un lavage à contre-courant (backwash). Pour savoir si le filtre est sale, vérifiez si la pression du filtre est plus élevée que d'habitude.
4. La pompe peut s'être désamorcé et tourner à sec. Vérifiez la pression au filtre. S'il n'y a pas de pression, le débit est inexistant ou le manomètre est défectueux. Tentez de faire fonctionner la pompe à son débit normal.

## Utilisation par temps froid

### Renseignements importants à propos du gel

**CLIMAT TEMPÉRÉ:** laissez l'appareil fonctionner pendant un court épisode de temps froid. Lorsque la température est comprises entre 0°F (-18°C) et 32°F (0°C), laissez la pompe fonctionner.

**⚠ ATTENTION:** ne pas utiliser l'appareil pour maintenir la température de l'eau juste au-dessus du point de congélation ou pour la protection contre le gel. Lorsque l'appareil est utilisé pendant le temps glacial, il ne doit jamais geler. Pour ce faire, laissez la pompe tourner en continu. Des mesures de protection supplémentaire peuvent être requises. L'appareil n'est pas garanti contre les dommages causés par le gel.

**CLIMAT FROID:** un fonctionnement prolongé à une température d'eau inférieure à 50°F (10°C) n'est pas recommandé. Si vous faites démarre l'appareil à une température d'eau inférieure à 50°F (10°C), faites fonctionner l'appareil en continu jusqu'à l'atteinte d'une température supérieure à cette valeur. L'utilisation prolongée de l'appareil lorsque la température de l'eau est inférieure à 50°F (10°C) peut sérieusement l'endommager l'appareil. De tels dommages ne sont pas couverts par la garantie. Pour les zones à climat froid, veuillez suivre les procédures d'hivernage décrites ci-dessous.

### Hivernage de l'appareil

Les appareils installés à l'extérieur dans les régions à climat glacial doivent être fermés pour l'hiver. Procédure d'hivernage de l'appareil:

1. Fermez la vanne à gaz, le robinet d'arrêt manuel et l'alimentation électrique de l'appareil.
2. Fermez les vannes d'isolement (conduites d'eau) pour isoler l'appareil. Retirez le panneau d'accès inférieur droit pour atteindre le côté droit du distributeur d'entrée/sortie. Le drain est situé sous le distributeur d'entrée/sortie. Desserrez et retirez le bouchon de vidange. Voir **Figure 74**.

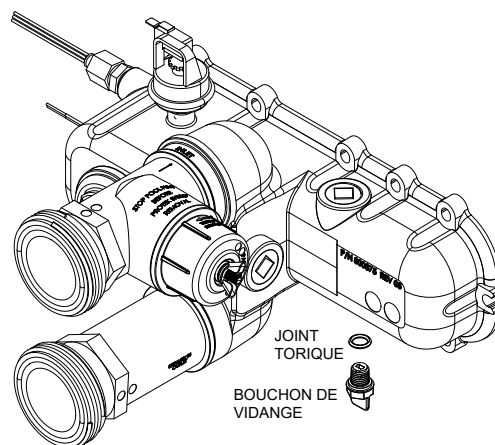


Figure 74. Distributeur d'entrée/sortie avec bouchon de vidange.

# 10. DÉPANNAGE

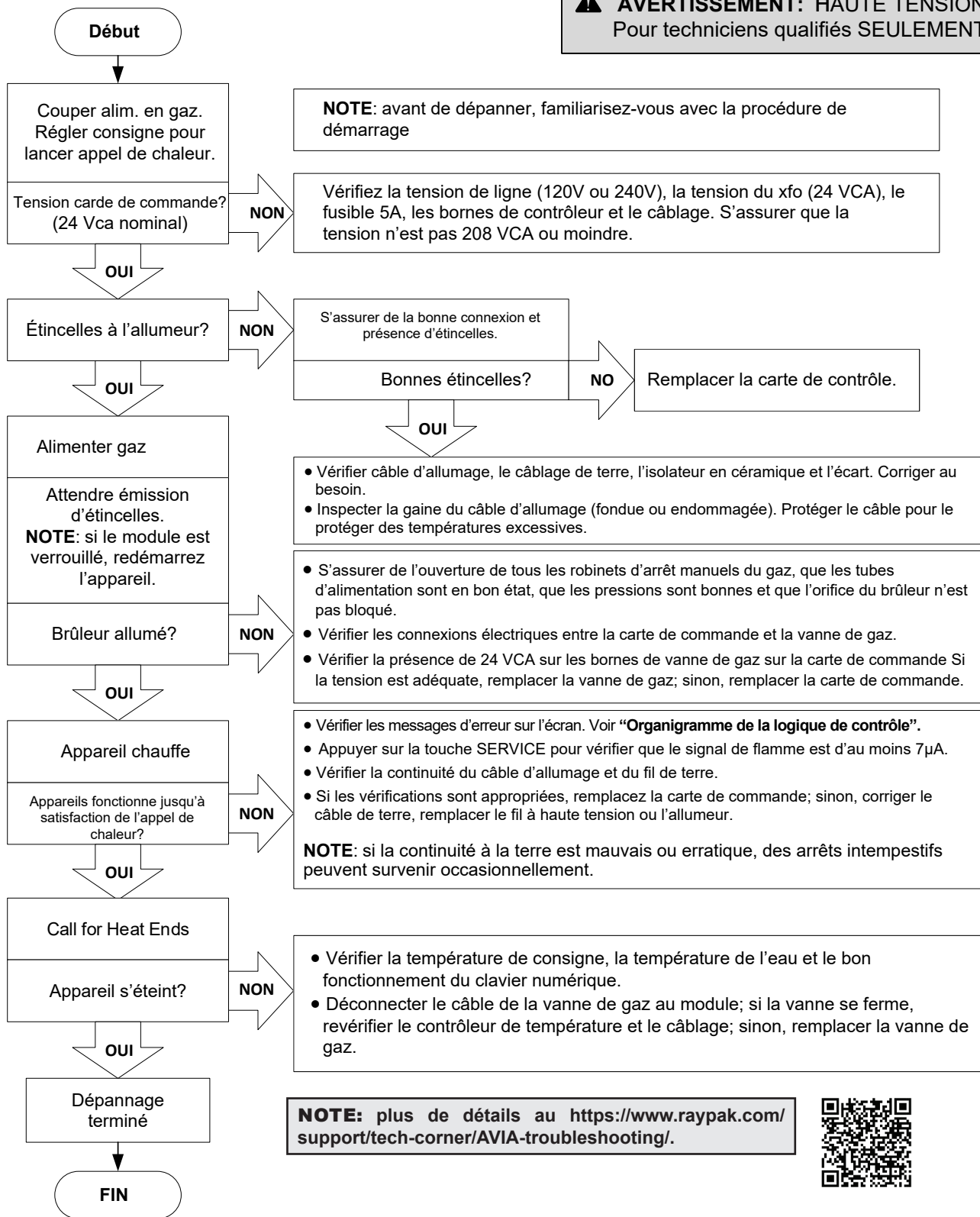
**NOTE IMPORTANTE:** les présentes instructions sont destinées à des personnes qualifiées, spécialement formées et expérimentées dans l'installation et l'entretien de ce type d'appareil et de ses composantes connexes. Dans certaines régions, les techniciens d'entretien pour ce type d'équipement doivent détenir une licence. Les personnes non qualifiées ne doivent pas tenter de réparer l'appareil ni d'effectuer les réparations décrites au présent manuel.

Problème	Cause possible	Mesures correctives
<b>Harmoniques ou scintillement</b>	Régulateur Unitherm ne fonctionne pas..	Vérifier fonctionnement en le plongeant dans l'eau chaude >120°F (49°C)
	*Débris ou restriction dans le système ...	Localiser et éliminer la restriction. Rincer et nettoyer système.
	*Débris dans la conduite de gaz.....	Éliminer les débris (souffler dans la conduite).
	Débit insuffisant .....	Tartre dans l'échangeur de chaleur: nettoyer l'échangeur, vérifier le pH et l'alcalinité totale.
<b>Appareil s'allume et s'éteint à répétition</b>	Filtre sale .....	Nettoyer ou remplacer filtre.
	Faible niveau d'eau .....	Ajouter de l'eau.
	Dérèglement vanne de dérivation externe.....	Régler la vanne de dérivation.
	Détecteur de pression d'eau déréglé.....	Régler le détecteur de pression d'eau.
<b>Accumulation de tartre dans l'échangeur</b>	Qualité de l'eau.....	Voir Paramètres d'eau, p. 5
	Dérivation d'eau excessive.....	Inspecter la vanne de dérivation; si bloquée, remplacer.
	Régulateur Unitherm ne fonctionne pas.	Remplacer si ne s'allonge pas lorsque chauffé.
<b>Formation de suie</b>	Débit élevé.....	Réduire en ajoutant une vanne de dérivation manuelle. Régler la vanne de dérivation manuelle jusqu'à ce que la température de l'eau de sortie soit comprise entre 105°F et 120°F (40°C et 49°C).
	Régulateur Unitherm ne fonctionne pas.	Vérifier fonctionnement en le plongeant dans l'eau chaude >120°F (49°C) Si ne s'allonge pas, remplacer.
	*Manque d'air .....	Lire instructions d'installation.
	*Mauvaise ventilation.....	Lire instructions d'installation. = hausse approx. degF/h
	*Insectes ou débris obstruant les ports d'admission du brûleur .....	Nettoyer les brûleurs.
	<b>Chauffage d'eau trop lent</b>	Appareil sous-dimensionné .....
Système ne fonctionne pas suffisamment .....		Allonger la minuterie.
Filtre sale .....		Nettoyer le filtre.
Alimentation en gaz insuffisante.....		Lire instructions d'installation.
<b>Fuites à l'échangeur de chaleur</b>	Exposition excessive aux acides .....	Remplacer l'échangeur de chaleur et ajuster les paramètres d'eau.
<b>Joint ébréché et fuit - (surchauffe)</b>	Appareil fonctionne après l'arrêt de la pompe.....	Voir Réglage du détecteur de pression d'eau, à la page 38.
	Enduit réfractaire endommagé .....	Remplacer enduit réfractaire
	Appareil encrassé par la suie .....	Déterminer la cause de la suie et corriger.

\*Symptôme habituellement détecté au démarrage initial.

# Organigramme de fonctionnement et de dépannage

**⚠ AVERTISSEMENT: HAUTE TENSION**  
Pour techniciens qualifiés SEULEMENT



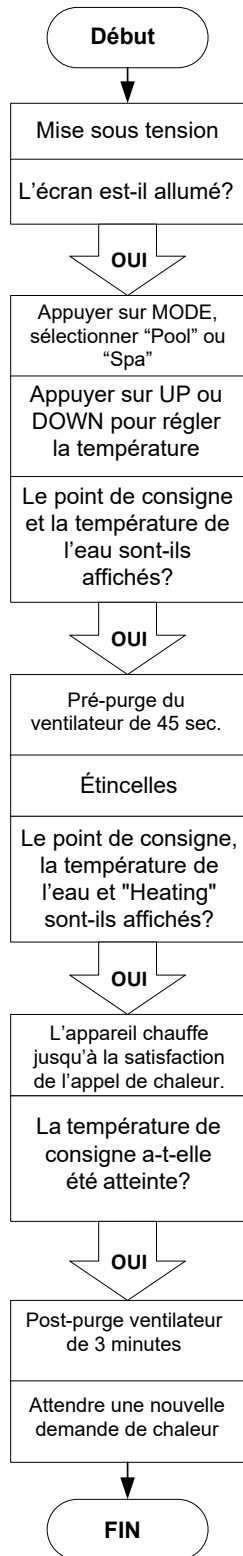
**NOTE: plus de détails au <https://www.raypak.com/support/tech-corner/AVIA-troubleshooting/>.**





# Organigramme de la logique de contrôle

## Organigramme de la logique de contrôle



	Sous	Température-résistance (kΩ)								Au-delà
Fahrenheit	6.3	40	50	60	70	80	90	100	110	187
Celsius	-14	4	10	15	21	27	32	38	43	86
Sonde d'entrée	err.	261	199	153	119	93	73	58	46	err.
Sonde de sortie	err.	26	20	15	12	9.3	7.3	5.8	4.6	err.

Fahrenheit	< 7.5	50	75	100	125	150	200	300	400	464
Celsius	< -13	10	24	38	51	65	93	149	204	240
Capt. évac.	err.	1.03	1.09	1.14	1.19	1.25	1.35	1.57	1.77	err.

• Vérifier interrupteur marche/arrêt (panneau de commande)  
 • Mesurer 120/240 V au xfo (horloge, disjoncteur, connexions de fil)  
 • Mesurer 24 V à la carte de commande (connecteur P6)

**"Remote"** temp. de l'eau s'affichent?  
 Si le mode Remote est sélectionné, désactiver le mode thermostat en appuyant sur UP + DOWN.

Message d'erreur affiché?

Inlet Temp Fail	Vérifier fils et bornes endommagés ou desserrés.
Inlet, Outlet or Vent Temp [Open/Short]	Vérifier capteur selon tableau Température-résistance: - Remplacer capteur si lectures hors-plage. - Remplacer carte d'allumage si lectures sont adéquates.
Gas Valve	Mesurer la tension aux bornes de la vanne de gaz. Si les bornes sont sous tension, remplacer carte de commande, sinon remplacer vanne.
Flame w/o CFH	
Low Voltage	Remplacer xfo si la tension est inférieure à 24 VCA.

Air Sw Closed	Vérifier fils et bornes endommagés ou desserrés.
Air Sw Open	Check Blower and Air Pressure switch: - Replace Pressure switch if failing open or close. - Replace Blower if operation is intermittent.
Fan Lockout	
Ignition Failure	Check Gas valve, Gas supply and spark igniter: - Check gas supply and valve operation. - Vérifier allumeur et fil. Remplacer si endommagé
Ign 60 min Delay	
Ignition Lockout	

Clock/Fireman Sw	Check for damaged or loose wires and terminals. Minuterie est à OFF.
Water Sw Open	Vérifier débit/pression d'eau. Nettoyer le filtre/crépine.
Vent/Field Sw #1	Pressostat d'évacuation ouvert. Dépanner ventilateur si installé.
Hi Limit 1 Fault	Limiteur de température ouvert. Vérifier débit d'eau.
Hi Limit 2 Fault	Inspecter thermostat interne (régulateur Unitherm) et la vanne de dérivation.
Cabinet Temp	
Switch #2	Échec pressostat en fonctionnement. Vérifier alimentation en gaz. Vérifier fonctionnement vanne du gaz. Couper alimentation, vérifier et nettoyer les tiges d'allumage.
Airflow Sw Fault	
Fan Lockout	
Flame Lost	Verify gas supply. Verify gas valve operation. Cut power, verify and clean igniter rods.
Flame Flickering	
Vent Over Temp	Confirmer absence d'obstruction. Dépanner ventilateur si installé.
Outlet Over Temp	Vérifier débit d'eau. Vérifier l'alimentation en gaz et la combustion.
Low Flow Fault	Vérifier débit d'eau. Vérifier fonctionnement pompe, régler débit si requis.
High Flow Fault	

# 11. CONNECTIVITÉ WI-FI RAYMOTE

Avant de lancer la configuration, assurez-vous de la présence d'un point d'accès Wi-Fi fiable à proximité de l'appareil et que vous en connaissez le mot de passe.

Date: _____
Nom réseau Wi-Fi (SSID): _____
Mot de passe Wi-Fi: _____

## Enregistrement d'utilisateur Raymote

Inscrivez-vous depuis votre appareil mobile avec l'application Raymote. Entrez votre adresse courriel pour créer un nouveau compte. Vous recevrez un courriel de confirmation. Voir **Figure 75**.

**NOTE:** vérifiez votre courrier indésirable si vous ne recevez pas le courriel dans les 5 minutes.

Entrez votre adresse courriel Raymote, puis créez un mot de passe sécurisé. Voir **Figure 76**.

Une fois l'enregistrement de l'utilisateur effectué, commencez à ajouter vos appareils de chauffage AVIA via l'application mobile Raymote. Voir **Figure 81**.

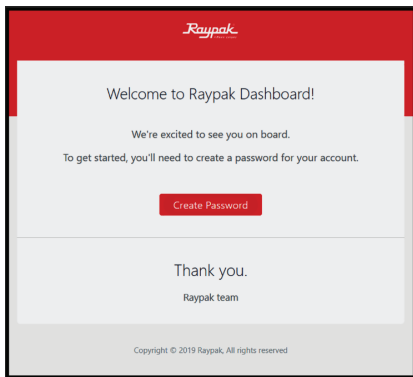


Figure 75. Écran d'accueil Raypak



Figure 76. Créer mot de passe

## APPROVED

### Télécharger l'appli mobile Raymote

1. Téléchargez et installez l'application mobile Raymote depuis Google Play ([Android](#)) ou App Store ([iOS](#)) sur votre appareil mobile.
2. Trouvez l'icône de l'application mobile Raymote sur votre appareil. Voir **Figure 77**.

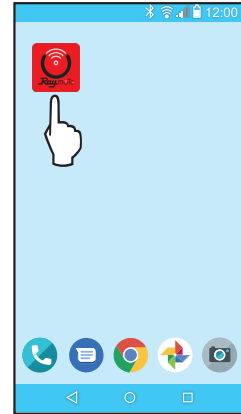


Figure 77. Localisez l'icône de l'appli Raymote

3. Ouvrez l'application mobile Raymote et connectez-vous avec votre nom d'utilisateur et votre mot de passe. Voir **Figure 78**.

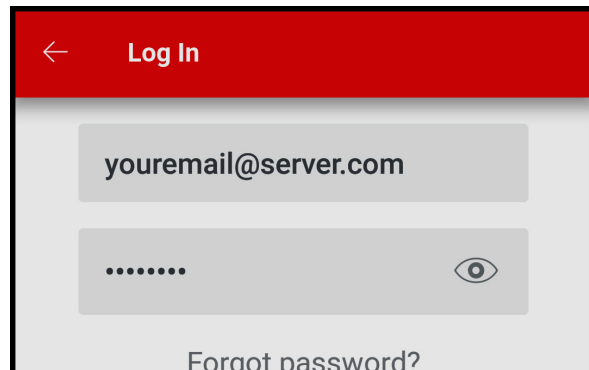


Figure 78. Connexion à l'appli mobile Raymote

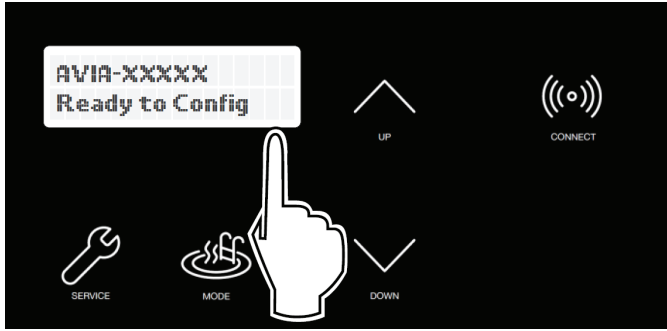
### Préparatifs avant la connexion

1. Tenez-vous près de l'affichage de l'appareil AVIA. Appuyez sur la touche CONNECT. Voir **Figure 79**.



Figure 79. Touche CONNECT

- Le menu CONNECT affiche l'état de l'interface Wi-Fi, indiquant "Ready to Config", ainsi que l'identifiant du réseau. Voir **Figure 80**.



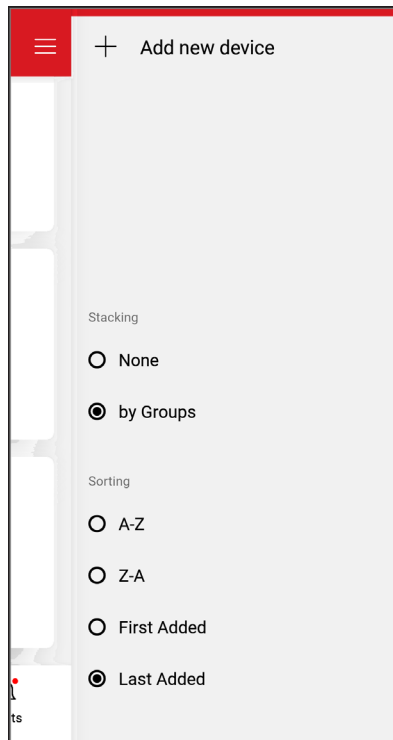
**Figure 80.** Wi-Fi prêt à être configuré et identifiant du réseau

3. Votre appareil est prêt à être connecté.

**NOTE:** les sections suivantes incluent les instructions pour Android et iPhone.

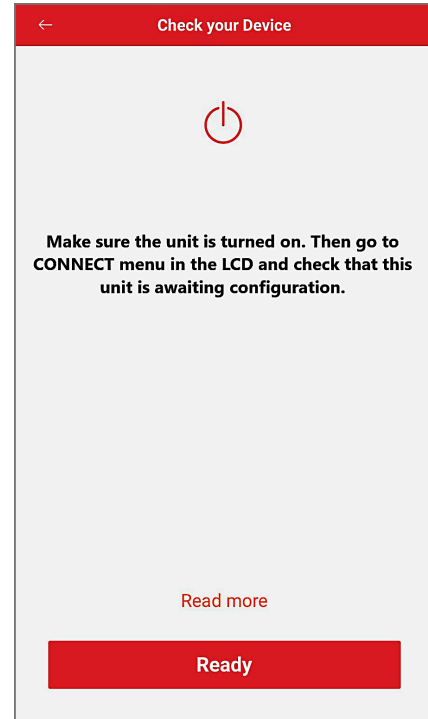
4. Dans l'application Raymote, appuyez sur le bouton de menu ☰ situé dans le coin supérieur gauche de l'écran, puis appuyez sur "+ Add new device". Voir **Figure 81**.

## Ajouter un appareil sur Android



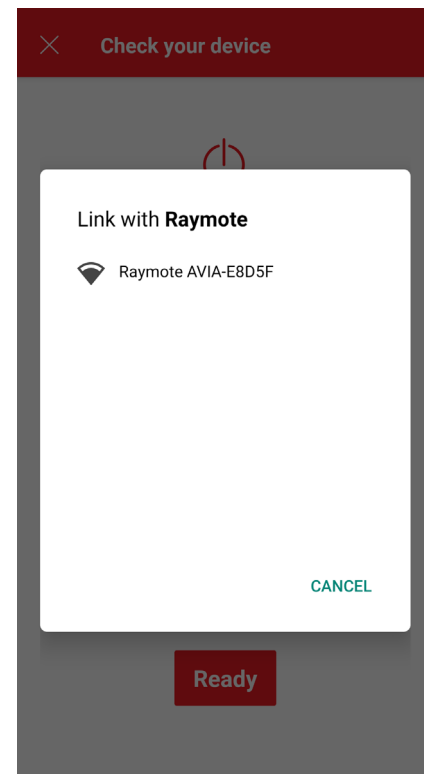
**Figure 81.** Ajouter un appareil

1. L'écran "Check your Device" s'affiche. Assurez-vous que l'appareil AVIA est sous tension et que le signal Wi-Fi est présent, puis appuyez sur le bouton "Ready". Voir **Figure 82**.



**Figure 82.** Écran de vérification

2. Selon votre configuration, un ou plusieurs appareils apparaîtront sur l'application. Voir **Figure 83**. Sélectionnez l'identifiant correspondant au nom de l'appareil, comme indiqué à la **Figure 83**.



**Figure 83.** Lien Raymote

- Vous serez invité à confirmer l'appareil sélectionné. Attendez quelques secondes pendant que l'application Raymote se connecte à votre appareil, comme indiqué à la **Figure 84**.

**NOTE:** lors de la première installation sur un téléphone, l'application Raymote demande d'autoriser l'accès aux données. Voir Figure 86.

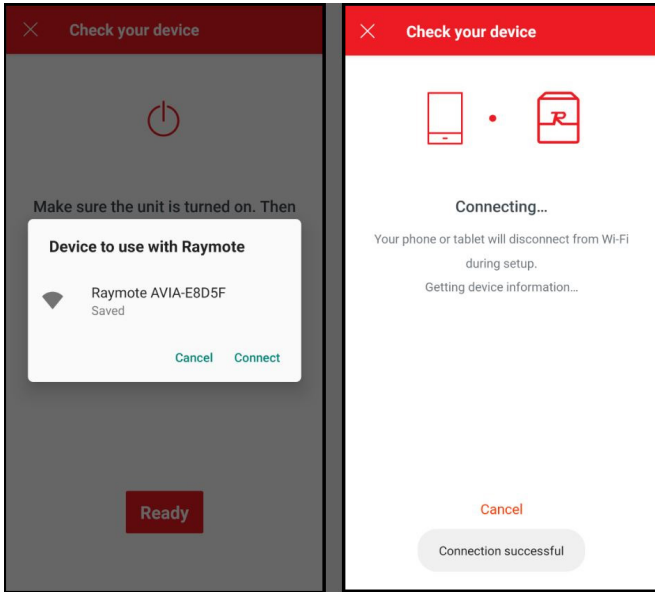


Figure 84. Connexion

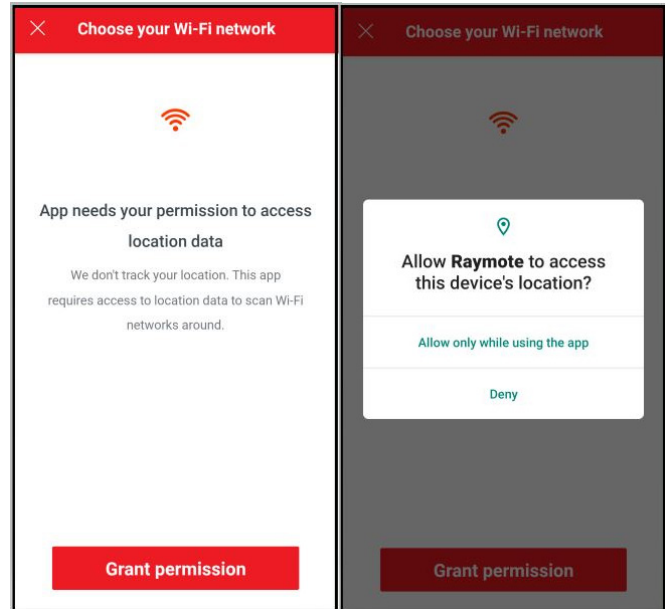


Figure 86. Accorder permissions

- L'écran "Wi-Fi setup" s'affiche. Sélectionnez ou entrez le réseau Wi-Fi auquel vous souhaitez connecter votre appareil et saisissez le mot de passe réseau. Voir **Figure 85**.

- Appuyez sur le bouton "Continuer" et connectez-vous au réseau Wi-Fi.

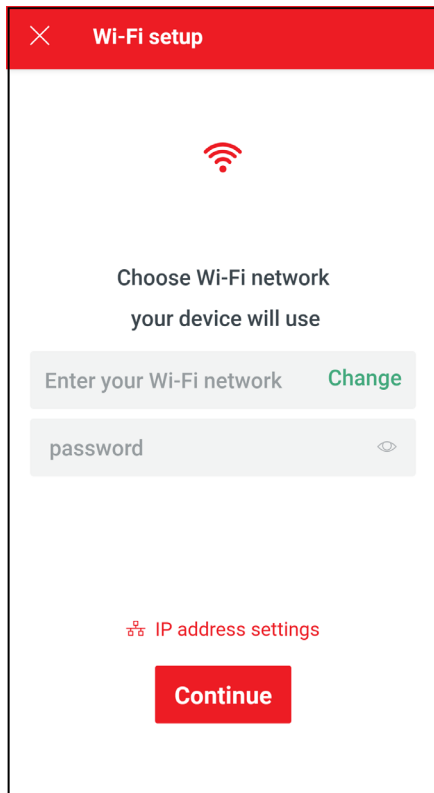


Figure 85. Configuration Wi-Fi



Figure 87. Sélection réseau Wi-Fi

6. L'application mobile Raymote transmettra les identifiants réseau Wi-Fi à votre appareil. Voir **Figure 88**.
2. L'application Raymote recherche les appareils à proximité. Les appareils disponibles s'affichent.
3. Appuyez sur "Join" pour sélectionner l'appareil ou sur "Cancel" pour rechercher un autre appareil.

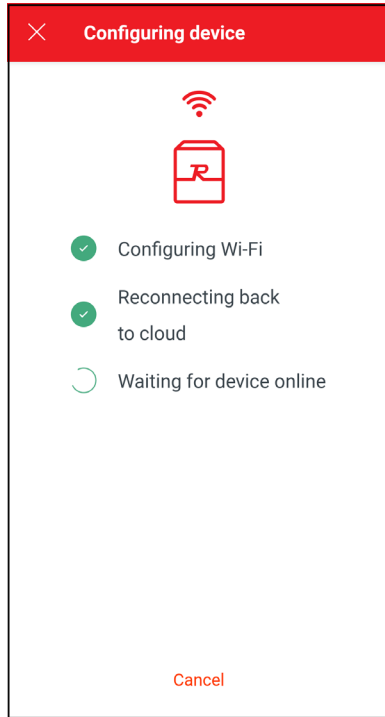


Figure 88. Configuration de l'appareil

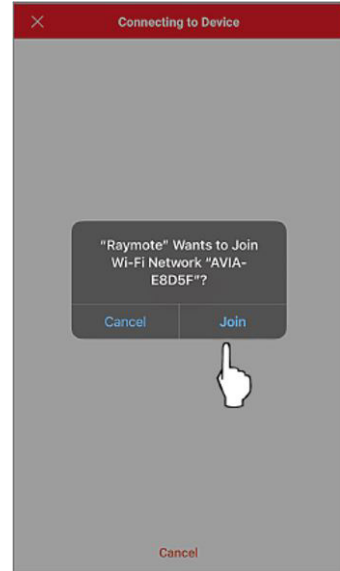


Figure 90. Connexion à l'appareil

**NOTE:** lors de la première installation sur un téléphone, l'application Raymote demande d'autoriser l'accès aux données. Voir Figure 91.

## Ajouter un appareil sur iOS

1. L'écran "Check your Device" s'affiche. Assurez-vous que l'appareil AVIA est sous tension et que le signal Wi-Fi est présent, puis appuyez sur le bouton "Ready".

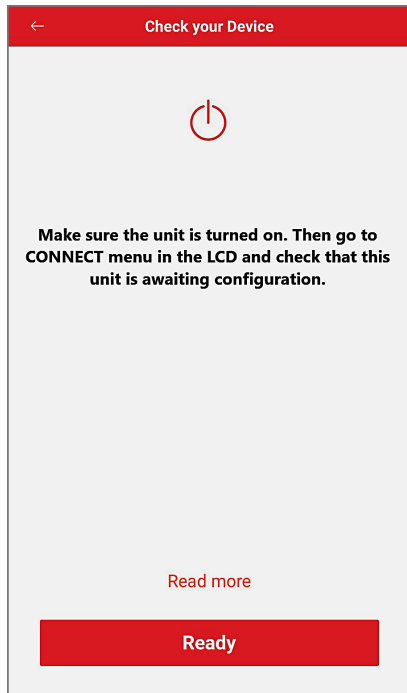


Figure 89. Écran de vérification

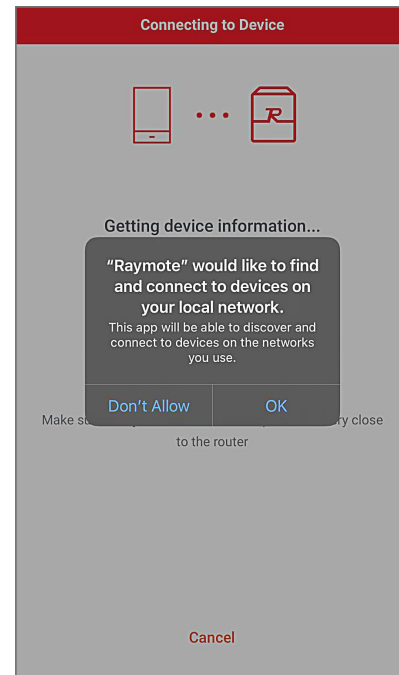


Figure 91. Accorder permissions

4. L'écran "Wi-Fi setup" s'affiche. Sélectionnez ou entrez le réseau Wi-Fi auquel vous souhaitez connecter votre appareil et saisissez le mot de passe réseau. Voir **Figure 92**.
5. Appuyez sur le bouton "Continue".

APPROVED

2. Appuyez sur le bouton "Continue".

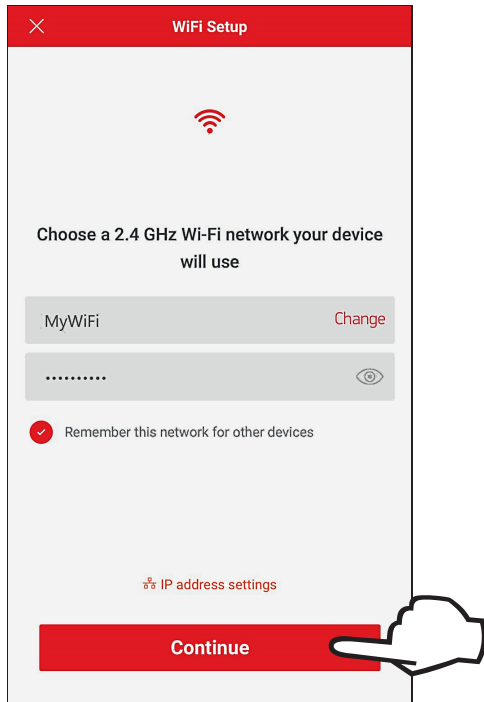


Figure 92. Configuration Wi-Fi

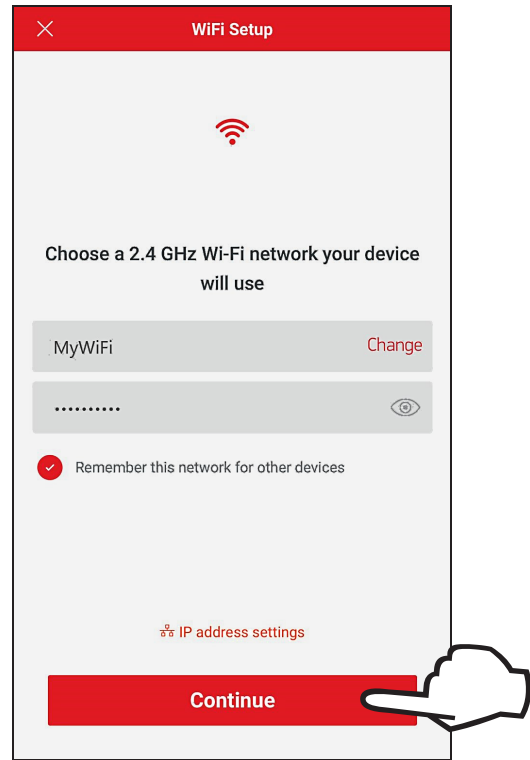


Figure 94. Configuration Wi-Fi

6. L'application mobile Raymote transmettra les identifiants réseau Wi-Fi à votre appareil. Voir **Figure 93**.

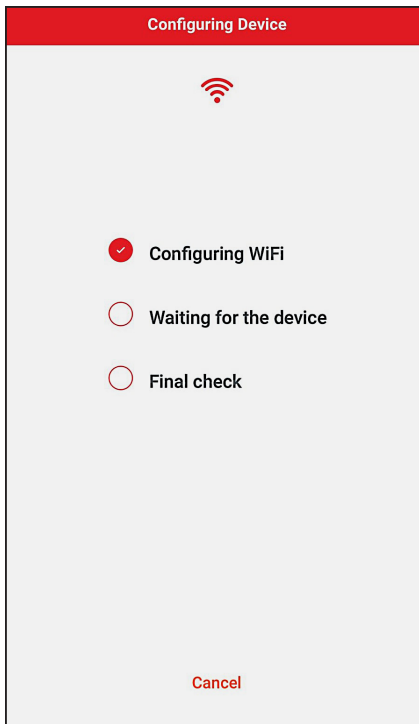


Figure 93. Configuration de l'appareil

3. L'écran "Check your Device" s'affiche. Assurez-vous que l'appareil AVIA est sous tension et que le signal Wi-Fi est présent, puis appuyez sur le bouton "Ready".

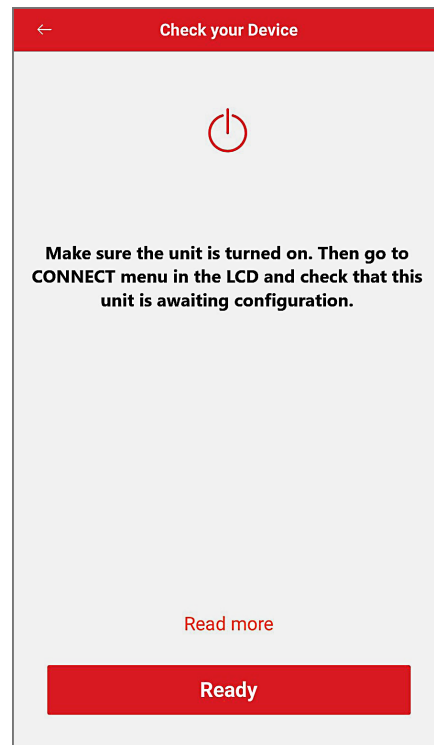


Figure 95. Écran de vérification

## iPhone 6 et versions antérieures

1. L'écran "Wi-Fi setup" s'affiche. Sélectionnez ou entrez le réseau Wi-Fi auquel vous souhaitez connecter votre appareil et saisissez le mot de passe réseau. Voir **Figure 94**.



**NOTE:** lors de la première installation sur un téléphone, l'application Raymote demande d'autoriser l'accès aux données. Voir Figure 96.

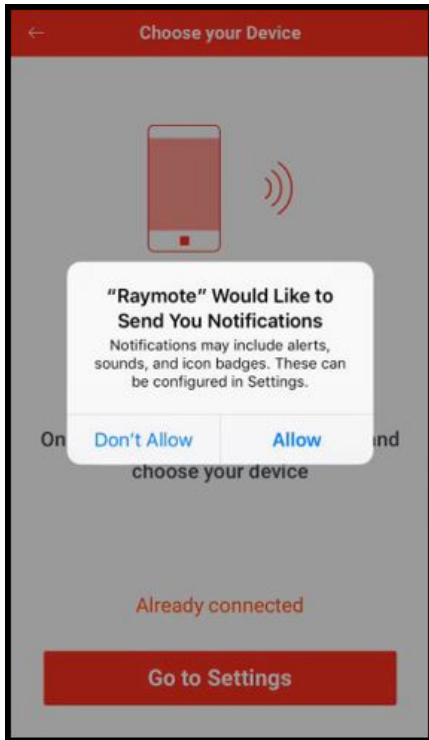


Figure 96. Accorder permissions

4. Appuyez sur le bouton "Go to Settings" sur l'écran "Choose your Device". Voir Figure 97.

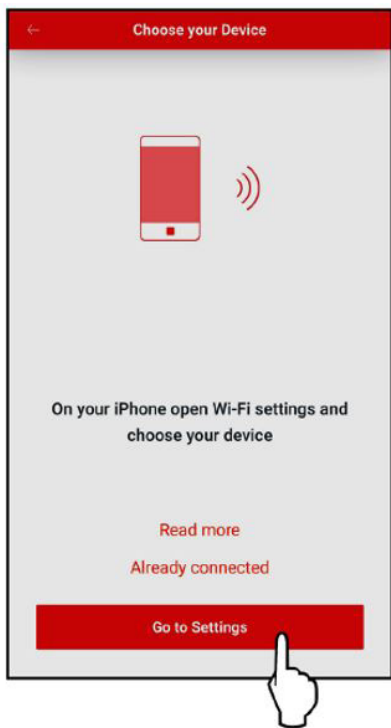


Figure 97. Sélectionner les paramètres

5. Dans le coin supérieur gauche de l'écran, appuyez sur le bouton "Settings" pour afficher le menu des paramètres. Voir Figure 98.

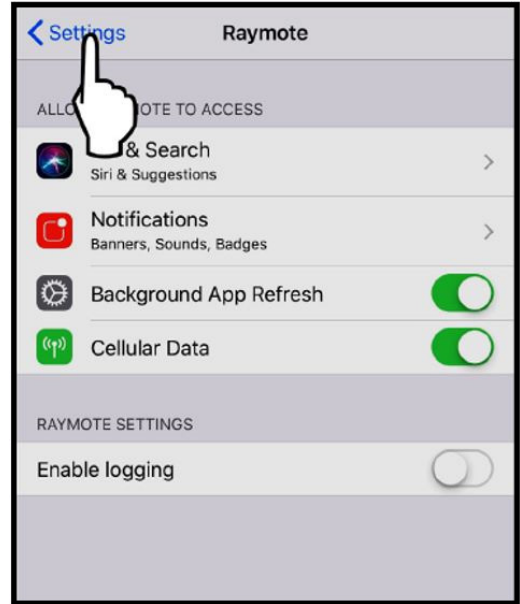


Figure 98. Sélectionnez menu "Settings"

6. Sélectionnez le réseau Wi-Fi dans le menu paramètres. Voir Figure 99.



Figure 99. Sélection des paramètres Wi-Fi

7. Sélectionnez l'identifiant correspondant au nom de l'appareil, comme indiqué à la Figure 100.

APPROVED

9. L'application mobile Raymote transmettra les identifiants réseau Wi-Fi à votre appareil. Voir **Figure 102.**



Figure 100. Sélectionnez de l'identifiant

8. Un onglet de notification confirmera que l'iPhone est maintenant connecté à l'appareil. Appuyez sur l'onglet de notification ou retournez manuellement à l'application Raymote pour iPhone. voir **Figure 101.**



Figure 101. Notification de connexion

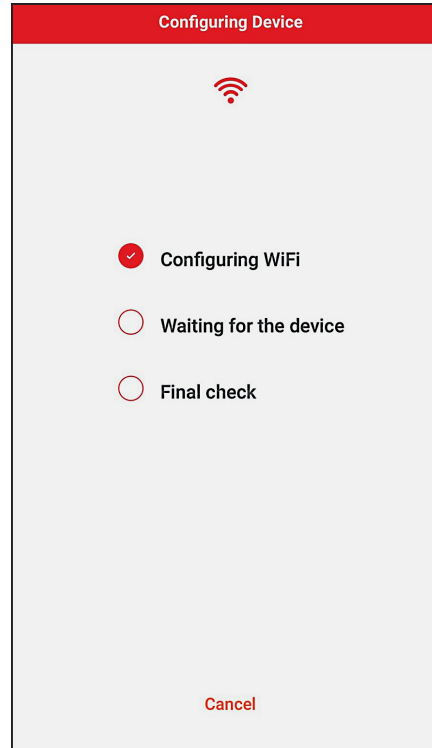


Figure 102. Configuration de l'appareil

## Configuration de l'appareil

1. Votre appareil est maintenant connecté au Wi-Fi. Vous pouvez modifier le nom de votre appareil ici. Voir **Figure 103.**

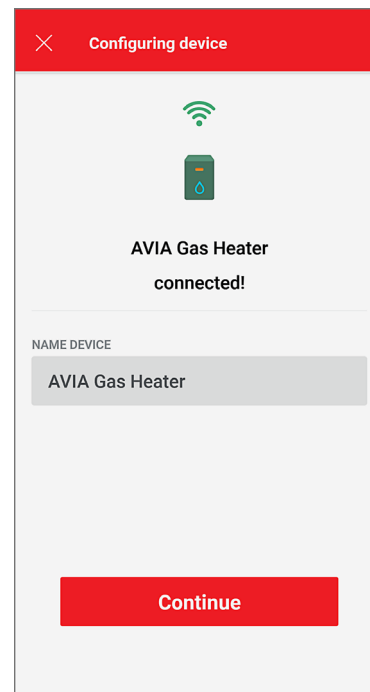
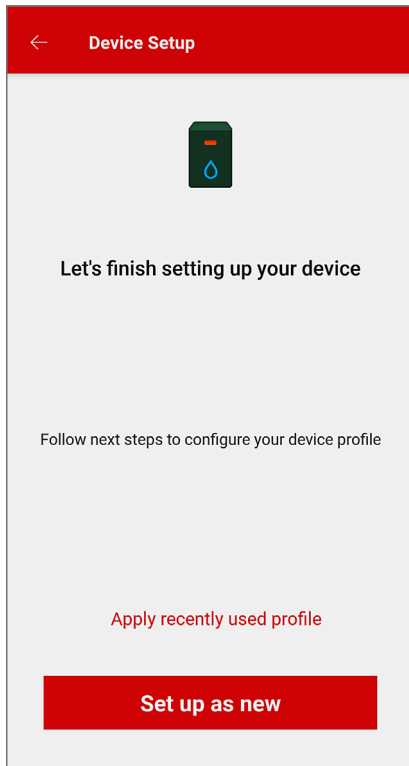


Figure 103. Nom de l'appareil

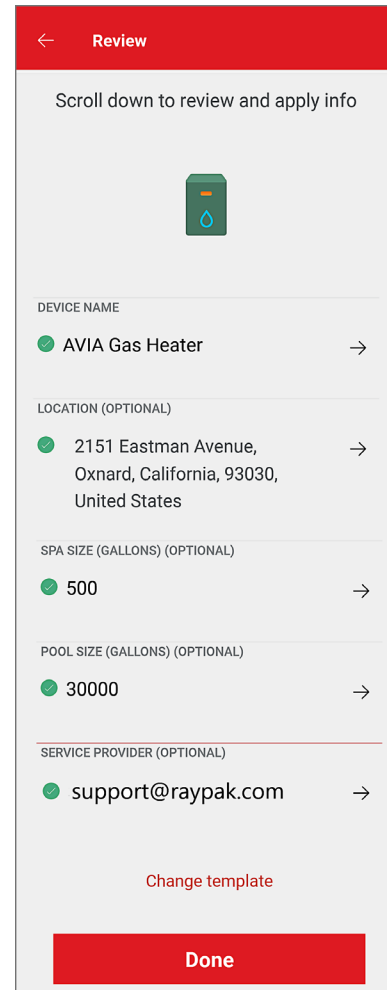
- Appuyez sur le bouton "Set up as new" pour entrer les nouveaux identifiants et les informations d'entretien. Appuyez sur le bouton "Apply recently used profile" pour appliquer des renseignements déjà en mémoire. Voir **Figure 104**.



**Figure 104. Configuration nouvel appareil**

- Pendant la configuration de l'appareil, entrez les données signalétiques de l'appareil, y compris l'installateur, l'emplacement d'installation, la taille de la piscine et du spa. Voir **Figure 105**.

**NOTE:** ces renseignements peuvent être ajoutés à tout moment, et il est fortement recommandé de fournir autant de détails que possible pour faciliter l'utilisation et le service à la clientèle.



**Figure 105. Revue de configuration**

Après avoir terminé la configuration Raymote, l'appareil commencera à transmettre des données vers le nuage Raymote.

## 12. APPLI MOBILE RAYMOTE

### Menu de l'appli mobile Raymote

1. Ouvrez Raymote et inscrivez-vous ou connectez-vous. Voir **Figure 106**.
2. Une fois l'appli Raymote ouverte, cliquez sur l'icône en haut à gauche. Voir **Figure 107**.
3. Le menu principal s'affiche. **Figure 108**.
  - A. Mon profil (nom, courriel et fuseau horaire)
  - B. Nom de l'organisation - Cliquez pour basculer vers une autre organisation (s'il y a lieu)
  - C. Paramètres (préférences d'alertes et de notifications)
  - D. Lien d'aide et soutien
  - E. À propos de l'appli Raymote
  - F. Déconnexion de session

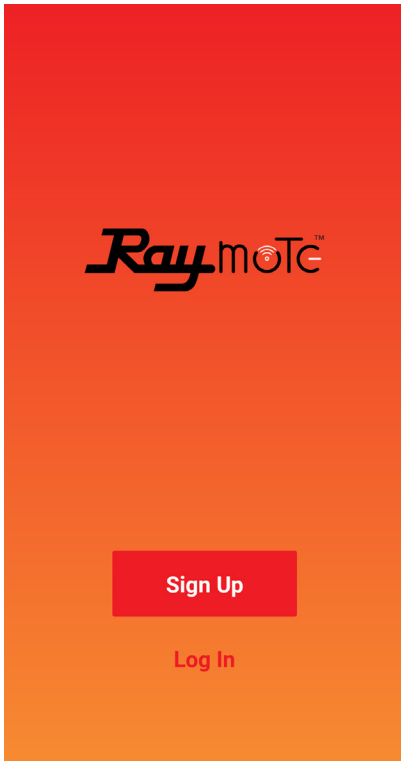


Figure 106. Écran initial



Figure 107. Icône

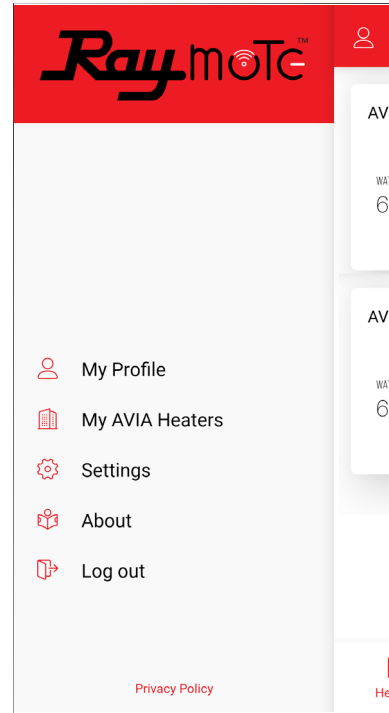


Figure 108. Options du panneau de gauche

### Sélection d'un appareil

Tous les appareils Raypak enregistrés sont répertoriés sur cet écran (nom de l'appareil et aperçu rapide de l'état de l'appareil). En appuyant sur l'un des blocs, vous pouvez accéder aux informations de l'appareil et régler certains de ses paramètres. Voir **Figure 109**.

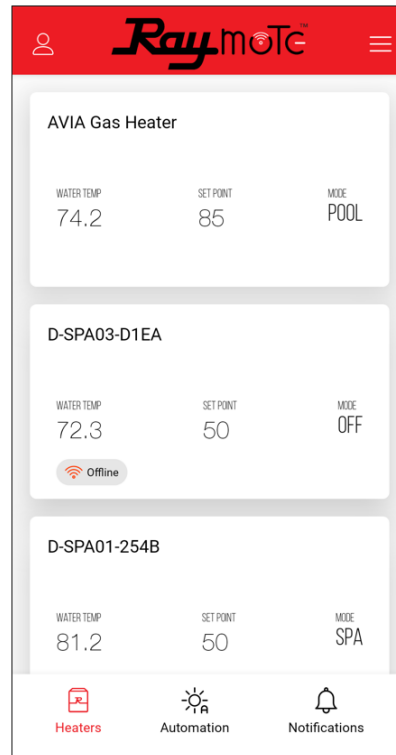
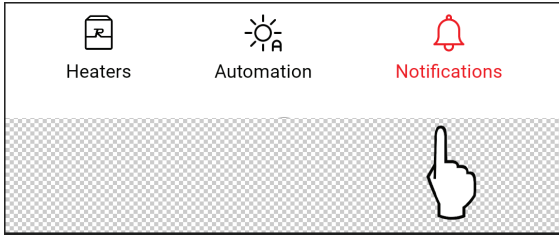


Figure 109. Sélection d'un appareil

Au bas de l'écran d'accueil se trouve le point d'accès aux notifications. En appuyant sur cette icône, vous pouvez consulter un sommaire des alertes et des événements pour une période donnée, pour toutes les unités enregistrées. Voir **Figure 110**.



**Figure 110. Écran de notifications**

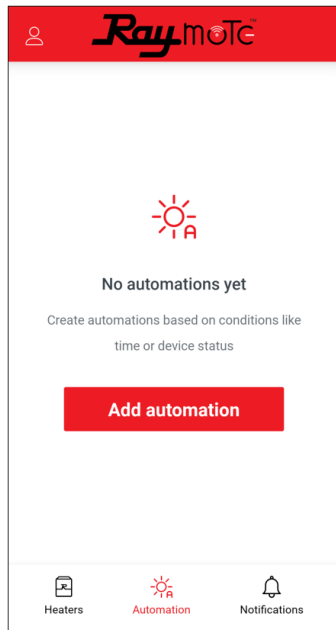
Les alertes, événements et notifications de diagnostic sont répertoriés, avec différentes couleurs pour faciliter la gestion.

- Vert – Appareil en ligne
- Bleu – Mise à jour effectuée
- Jaune – Avertissement diagnostique
- Black – Appareil hors ligne
- Rouge – Notifications d'erreurs et avertissements

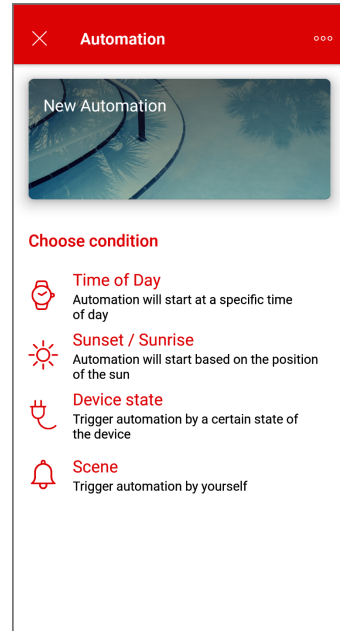
Sélectionnez un événement pour consulter les détails de l'incident.

## Mode automatisé Raymote

Le mode automatisé Raymote permet de régler les fonctions de chauffage et de configurer des paramètres d'envoi de notification ou d'activation de commande, comme le mode de fonctionnement ou la température de consigne, selon un calendrier ou une condition définie par l'utilisateur. Voir **Figure 111** et **Figure 112**.



**Figure 111. Mode automatisé**



**Figure 112. Options du mode automatisé**

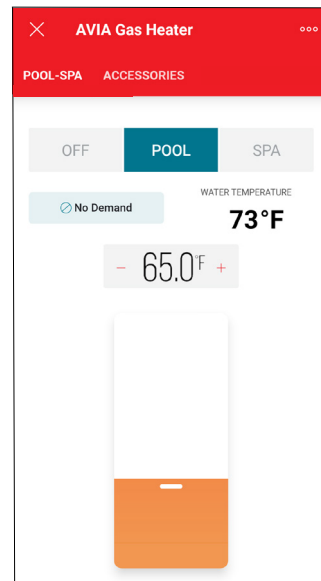
## Écran Mode Piscine-Spa

L'écran Mode inclut les principales commandes de l'appareil. Le mode de fonctionnement et le point de consigne peuvent être sélectionnés sur cet écran.

Cet écran fournit également la température de l'eau détectée par l'appareil, ainsi que l'état de fonctionnement actuel. Voir **Figure 113**.

**NOTE:** lorsque OFF est sélectionné, le curseur de température de consigne est désactivé.

**NOTE:** lorsque l'appareil est commandé par un thermostat externe filaire, les options OFF, Piscine et Spa sont désactivées dans l'application.



**Figure 113. Commandes de l'appareil**

## Écran Accessoires

L'écran des accessoires comprend les commandes des accessoires auxiliaires et les fonctionnalités étendues. Ces commandes permettent de commander un relais auxiliaire (ex.: allumer et éteindre une pompe, des lumières ou des jets d'eau). Lorsque l'appareil est équipé d'une carte électronique de surveillance des paramètres d'eau, jusqu'à 3 sorties auxiliaires peuvent être contrôlées.

Cet écran permet également de contrôler une pompe à vitesse variable Raypak Protege lorsqu'elle est connectée à l'appareil. Voir **Figure 114**.

**⚠ AVERTISSEMENT:** seuls les utilisateurs autorisés peuvent régler à distance l'appareil, ne divulguez pas les identifiants aux utilisateurs non autorisés.

**⚠ AVERTISSEMENT:** consulter la section "Auxiliary Output Control" pour plus de détails sur le câblage et les caractéristiques du relais auxiliaire intégré.

Certaines commandes varient selon l'application et peuvent ne pas être disponibles sur tous les appareils. Lorsqu'une commande ou un ensemble de commandes ne sont pas disponibles, ceux-ci sont grisés.

Les commandes Raymote correspondent à la configuration réelle de votre appareil. Lorsqu'une modification est appliquée à un élément pouvant être commandé, la position du sélecteur reflète la valeur du paramètre. Voir **Figure 114**.

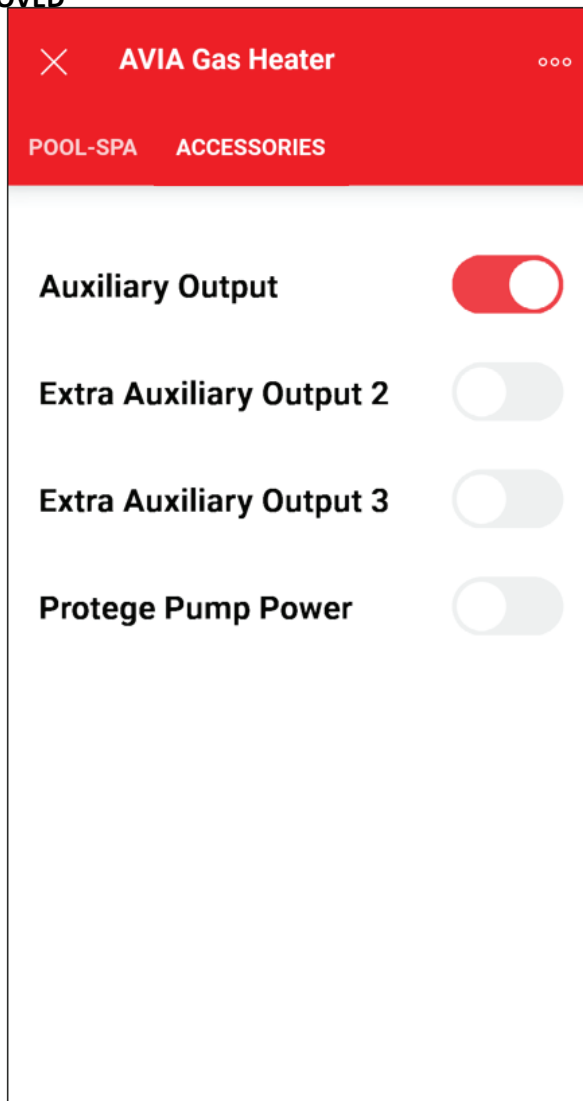


Figure 114. Écran Accessoires

**NOTE:** utilisez l'appareil photo de votre smartphone pour ouvrir le lien QR ci-dessous pour accéder aux plus récentes instructions et au soutien technique détaillé Raymote et AVIA.





## Réinitialisation Wi-Fi

Une réinitialisation Wi-Fi est utile lorsque l'appareil tente de se connecter à un signal Wi-Fi qui n'est plus disponible ou qui a été modifié.

**NOTE:** après avoir réinitialisé les identifiants Wi-Fi, l'appareil doit être connecté manuellement au Wi-Fi pour fonctionner avec la configuration Raymote. Assurez-vous de reconnecter un appareil existant dans l'application Raymote ou ajoutez-le en tant que nouvel appareil.

1. Appuyez sur la touche CONNECT et maintenez-la enfoncée pendant 5 à 10 secondes.



Figure 115. Réinitialisation Wi-Fi – Appuyez sur CONNECT

2. L'écran affiche "Reset WiFi?" dans la rangée supérieure et "No" dans la deuxième.
3. Pour annuler et quitter, appuyez sur MODE.

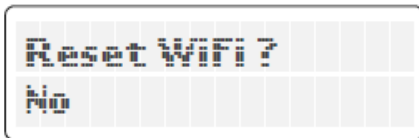


Figure 116. Réinitialisation Wi-Fi

4. Pour procéder, appuyez sur la touche UP.
5. La deuxième rangée affiche maintenant "Yes".

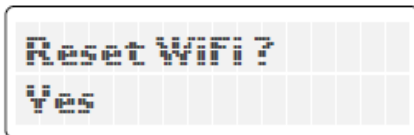


Figure 117. Confirmation de réinitialisation

6. Appuyez sur la touche Mode pour réinitialiser.
7. "Wi-Fi Initialized" s'affiche.



Figure 118. Réinitialisation Wi-Fi terminée

8. Connectez à nouveau ou reconfigurez un appareil de chauffage existant.

## Reconnexion au Wi-Fi

Suivez les étapes suivantes pour reconnecter un appareil de chauffage déjà enregistré dans Raymote à un nouveau réseau Wi-Fi ou après un changement de mot de passe Wi-Fi.

1. Sélectionnez l'appareil qui doit être reconfiguré.

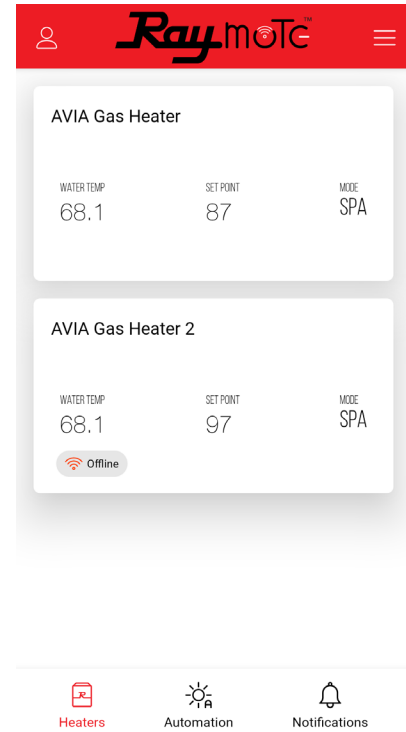


Figure 119. Sélection de l'appareil à reconfigurer

2. Appuyez sur les 3 points dans le coin supérieur droit pour ouvrir l'écran Configuration.



Figure 120. Ouvrir l'écran de configuration

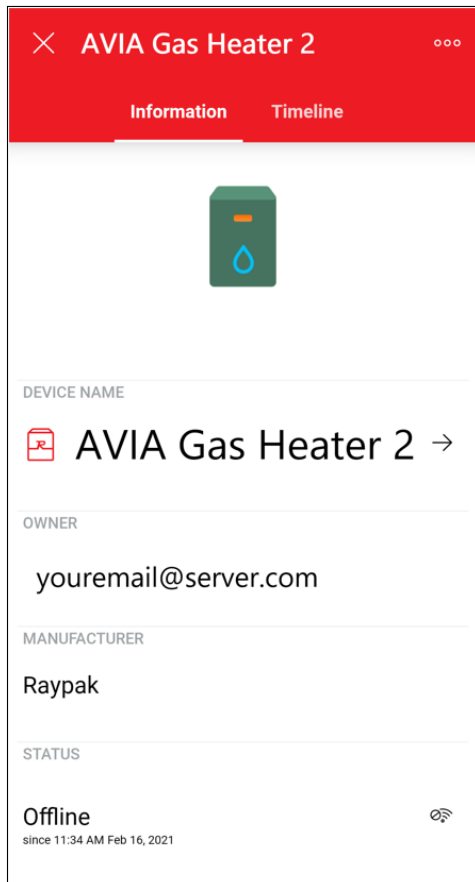


Figure 121. Ouvrir le menu Actions

3. Dans le menu "Actions", sélectionnez l'option "Reconfigure".

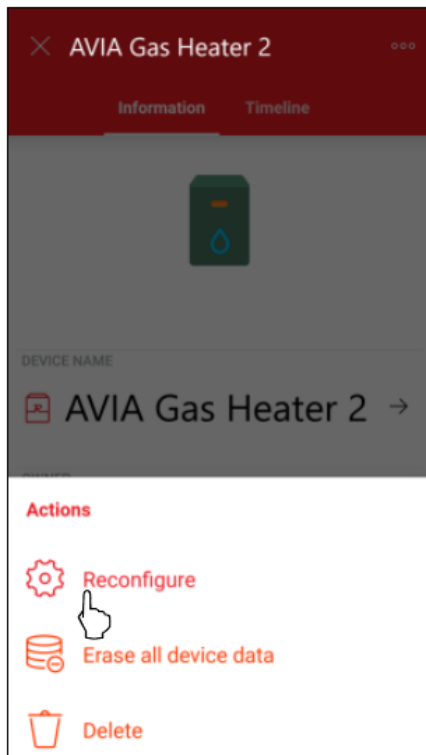


Figure 122. Sélectionner reconfigurer

APPROVED

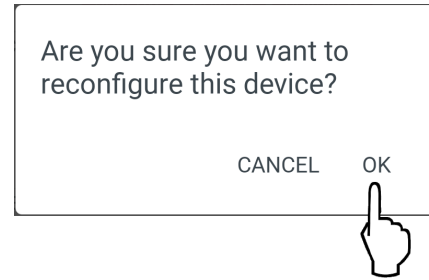


Figure 123. Confirmer la sélection

4. Alors que vous êtes à proximité de l'appareil, confirmez l'état de préparation de l'appareil et procédez à la configuration Wi-Fi.

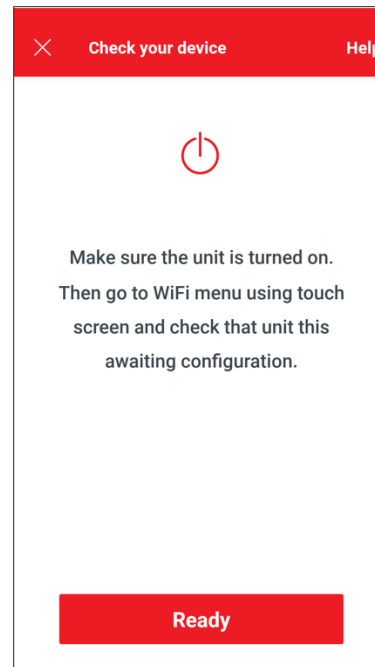


Figure 124. Début de configuration

5. Attendez quelques secondes pendant la détection de l'identifiant de l'appareil.
6. Sélectionnez l'identifiant de l'appareil pour continuer.

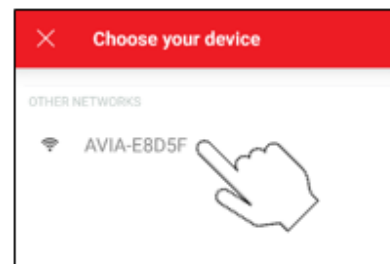


Figure 125. Sélection de l'appareil

7. Lorsque vous êtes prêt, appuyez sur Continuer.

APPROVED

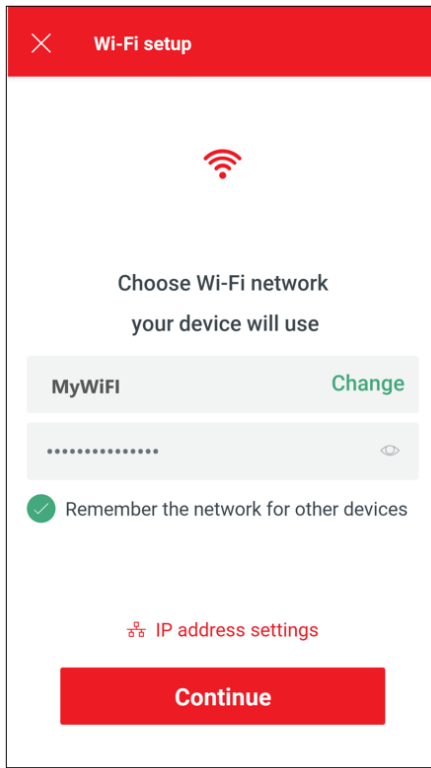


Figure 126. Définir le réseau et mot de passe Wi-Fi

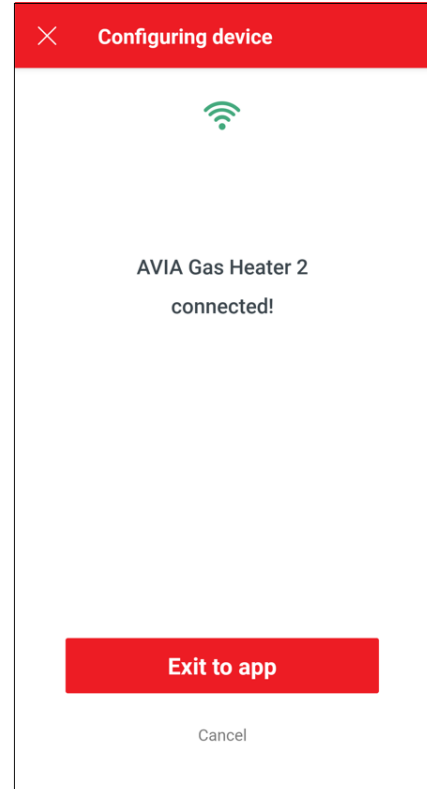


Figure 128. Retour à l'écran principal

- Après cela, Raymote enverra la configuration Wi-Fi à l'appareil.

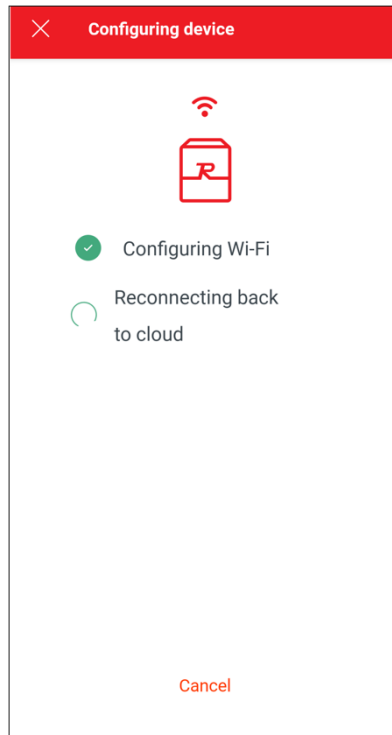


Figure 127. Configuration de l'appareil

# 13. SORTIE DE CONTRÔLE AUXILIAIRE

**NOTE:** utilisez l'appareil photo de votre smartphone pour accéder aux instructions détaillées de programmation d'une sortie auxiliaire avec Raymote.



Cet appareil inclut un relais à contacts secs permettant la mise en marche ou l'arrêt local ou à distance des divers dispositifs, ex.: pompes, fontaine, vannes, éclairage.

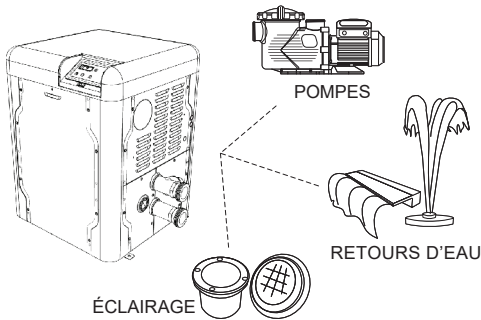


Figure 129. Relais d'intégration d'accessoires

La sortie auxiliaire est disponible au terminal P9 "AUX". Utilisez le harnais fourni pour contrôler les fonctions ON/OFF ou commuter l'alimentation.

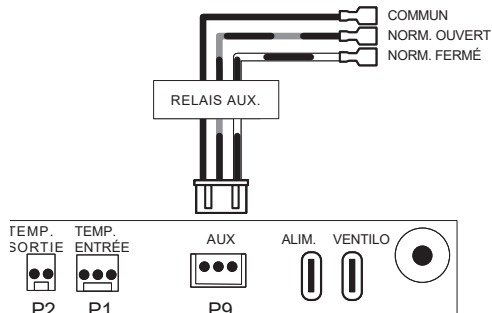


Figure 130. Terminal auxiliaire

Le terminal AUX peut être utilisé comme commande directe ou comme relais d'un relais ou d'un contacteur de puissance. **Table S** décrit les bornes et caractéristiques des sorties auxiliaires.

Terminal	Câble	Cote CA	Cote CC
Neutre	Noir		
Norm. ouvert	Noir et rouge	250V max., 3A	30V max., 3A
Norm. ouvert	Noir et rouge		

Tableau S. Terminaux auxiliaires et cotes

**ATTENTION:** ne pas dépasser la capacité du relais auxiliaire. Vérifiez les exigences de puissance de tout composant électrique connecté à cet appareil, en suivant les normes et exigences d'installation applicables.

## APPROVED

Utilisez les ouvertures défonçables situées à côté du panneau d'entrée d'eau pour acheminer le harnais auxiliaire à l'intérieur du boîtier vers la carte contrôleur. Voir **Figure 131**.

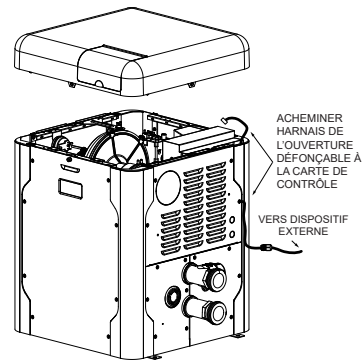


Figure 131. Acheminement du harnais de communication

Il est recommandé d'installer un passe-fils étanche dans le trou de 0,875 po.

Le relais auxiliaire intégré est à contact sec; il peut être utilisé pour commuter de la robinetterie motorisée, les lumières et autres dispositifs de 3 A ou moins.

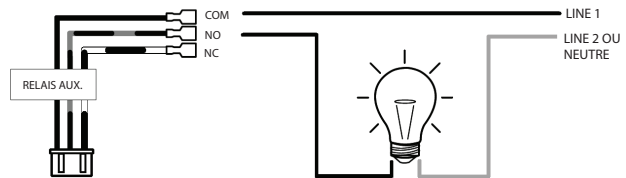


Figure 132. Relais auxiliaire

Utilisez les bornes normalement fermées (NC) et normalement ouvertes (NO) pour commander une vanne 3 voies de 3 A ou moins. Ces dispositifs sont habituellement alimentés à 24 V ou moins.

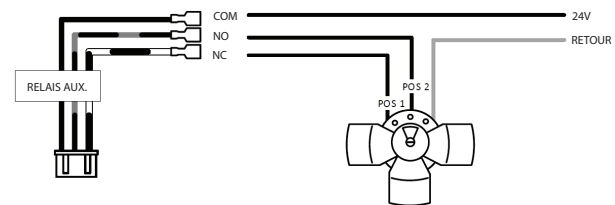


Figure 133. Vanne à 3 voies

Pour commander une pompe, un ventilateur ou tout autre accessoire de plus de 3 A, utilisez un relais SPDT externe.

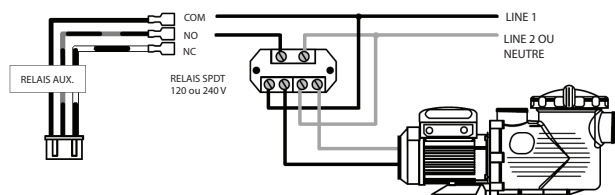


Figure 134. Relais SPDT

Pour une installation rapide et ordonnée, utilisez le kit "Relay Box" 019268F.

## 14. PIÈCES DE RECHANGE

**NOTE:** pour vous assurer de recevoir la bonne pièce, il est important de fournir le numéro de modèle, le numéro de série et le type de gaz (si appareil à combustible).

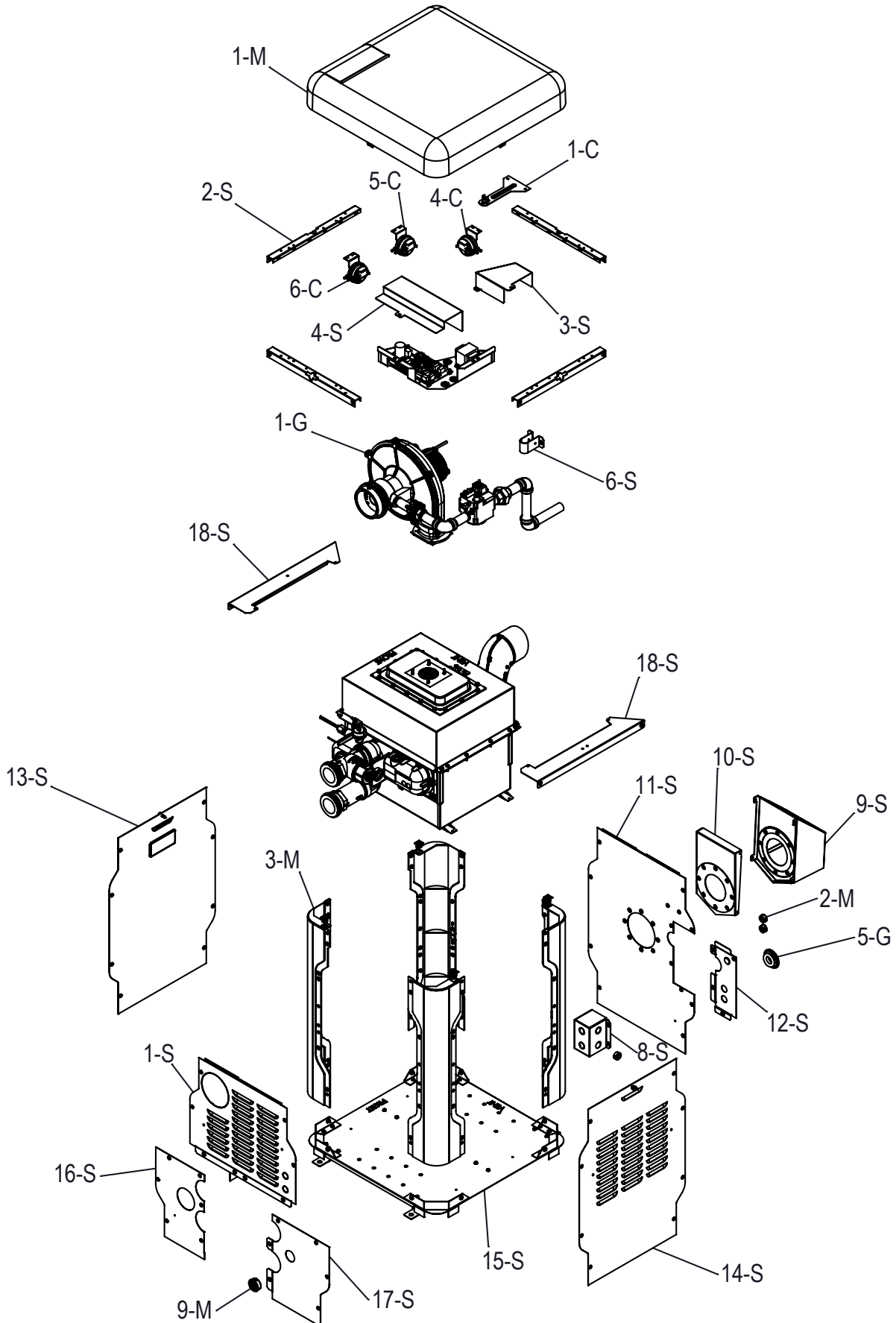
Toute pièce retournée pour remplacement en vertu de la garantie standard de la thermopompe doit porter une étiquette de retour complète indiquant le numéro de série, le numéro de modèle, etc., et expédiée en port prépayé.

Si nous déterminons que la pièce est défectueuse dans les limites de la garantie, une pièce identique ou équivalente vous sera envoyée, port dû. Nous n'émettons pas de note de crédit.

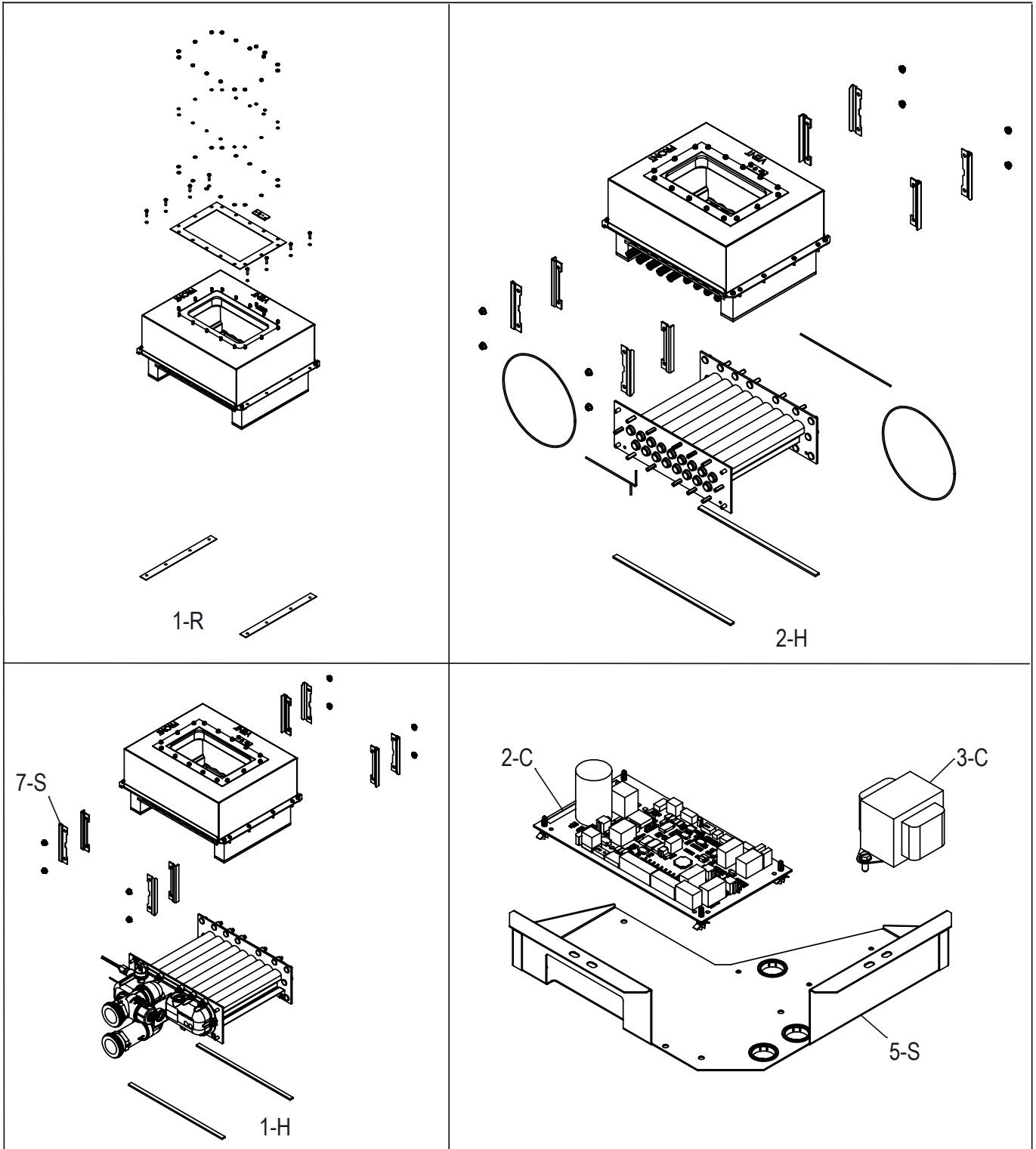
**FABRICANT:**

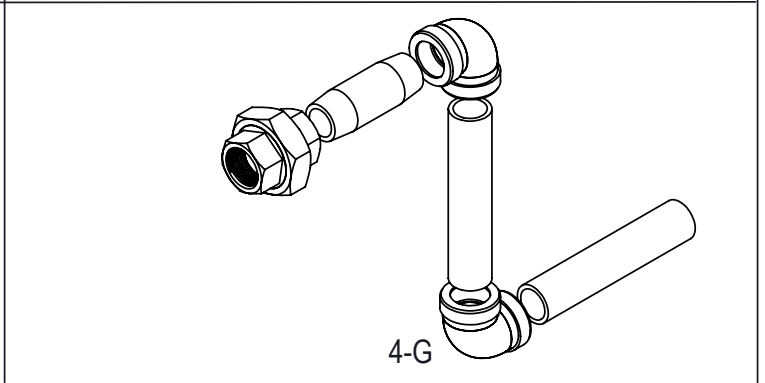
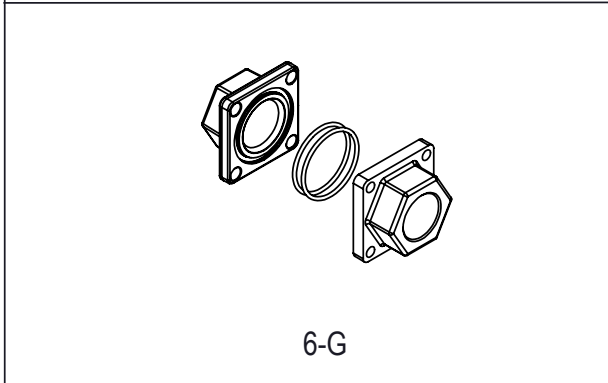
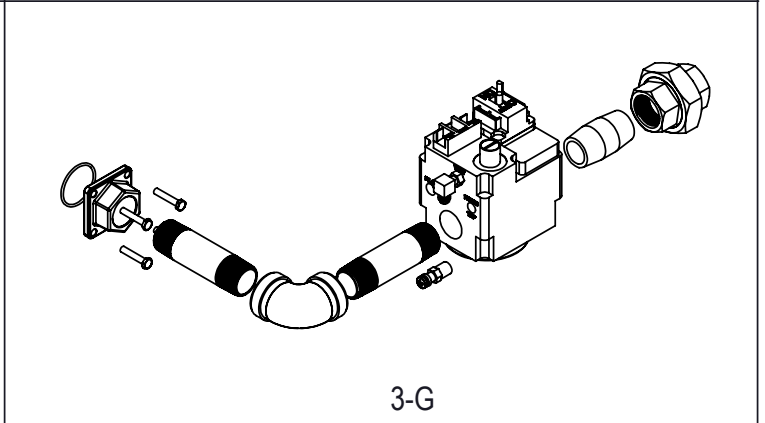
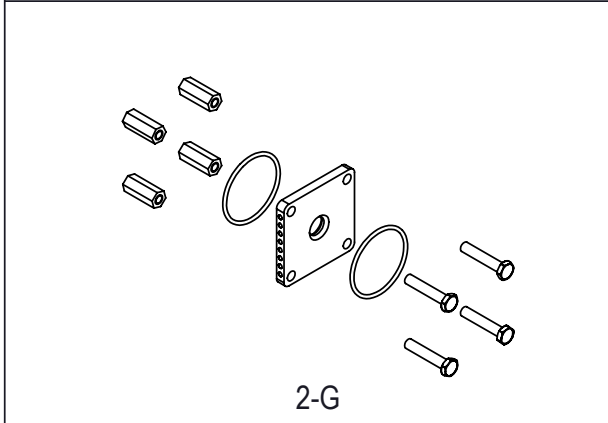
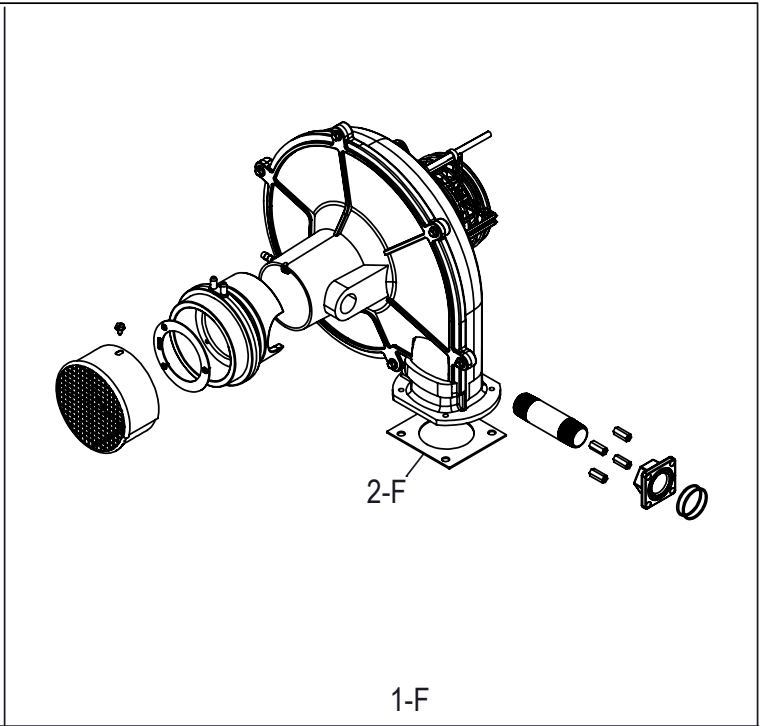
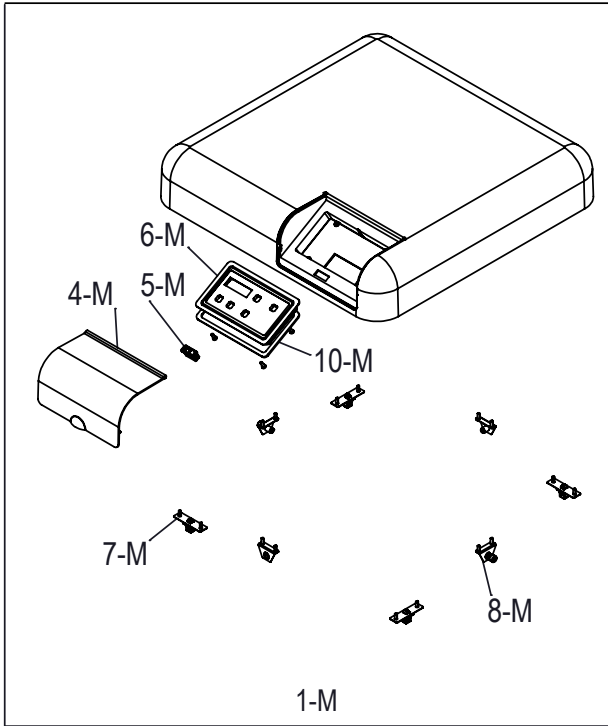
**Av. New York 207, Parque Industrial Oradel, C.P.  
88285 Nuevo Laredo Tamps. Mexico**

# 15. LISTE DE PIÈCES ILLUSTRÉES

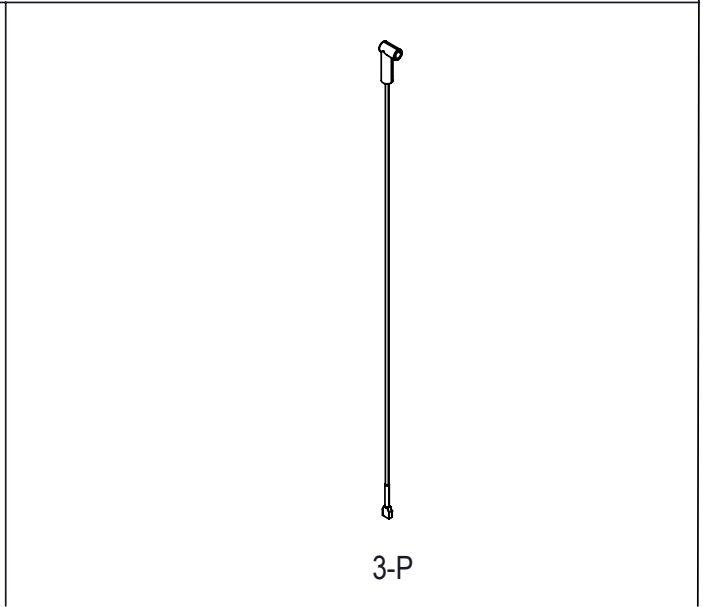
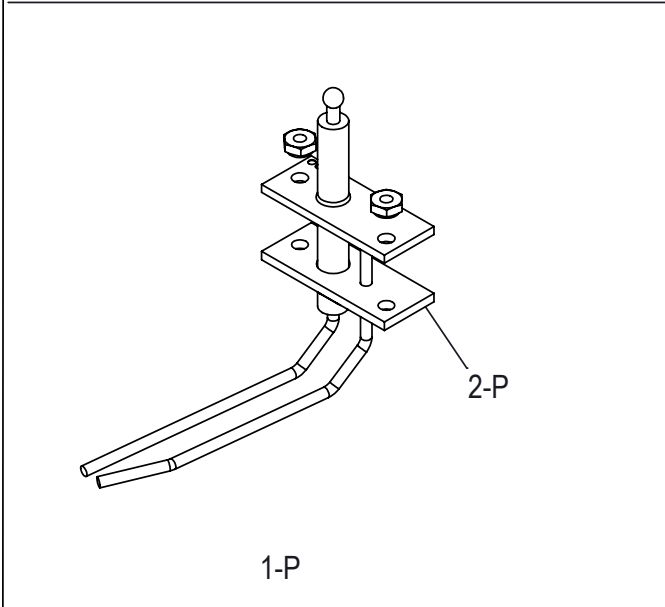
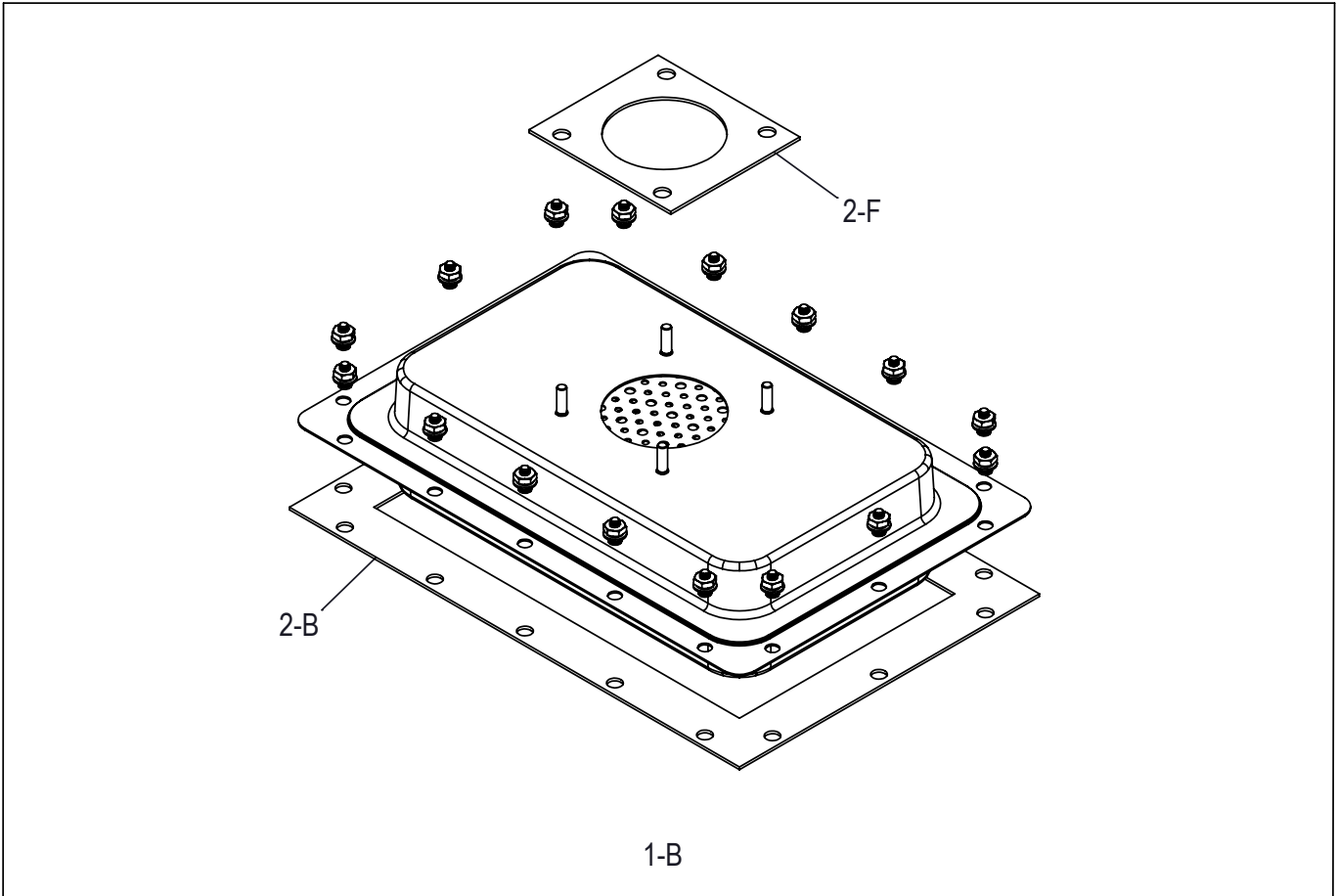




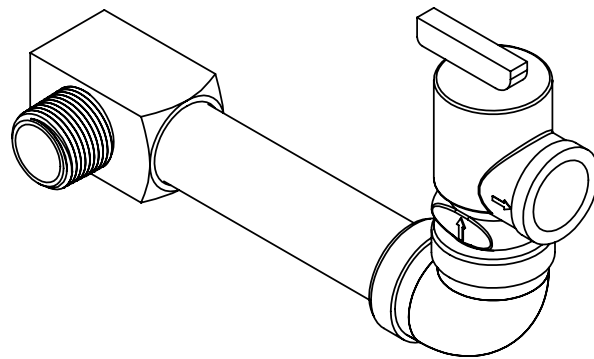
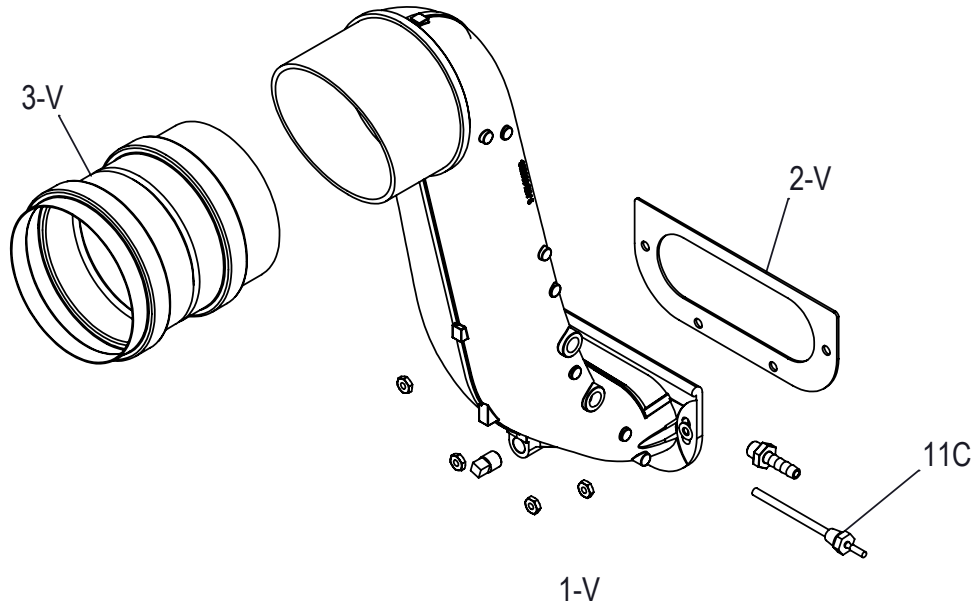




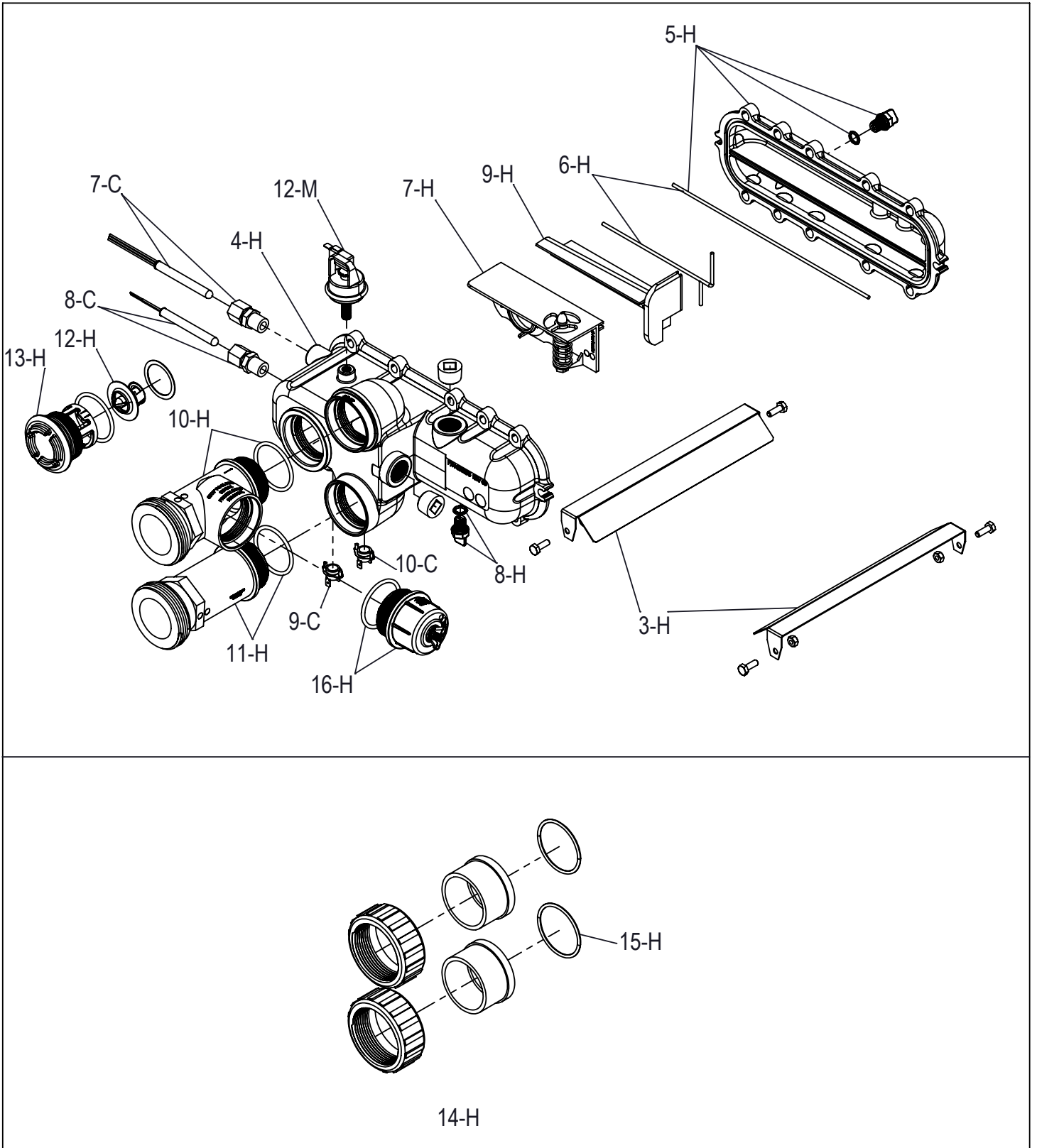
APPROVED



APPROVED



11-M (OPTIONAL)



**APPROVED**

<b>CALL OUT</b>	<b>DESCRIPTION</b>	<b>264A</b>	<b>404A</b>
<b>B</b>	<b>BURNER</b>		
1-B	Kit-Burner	018873F	018873F
2-B	Kit-Burner Gasket	018878F	018878F
<b>C</b>	<b>CONTROLS</b>		
1-C	Kit-Temp Sensor Limit	018853F	018853F
2-C	Kit-Ignition Board	018857F	018933F
3-C	Kit-Transformer 120/240/24V	018858F	018858F
4-C	Kit-Pressure Vent	018928F	018928F
5-C	Kit-Pressure Air	018929F	018929F
6-C	Kit-Pressure Differential	018930F	018931F
7-C	Kit-Temperature Inlet Sensor	019042F	019042F
8-C	Kit-Temperature Outlet Sensor	019043F	019043F
9-C	Kit-High Limit 2-HL2-Surface Mount	019044F	019044F
10-C	Kit-High Limit 1-HL1-Surface Mount	019045F	019045F
11-C	Kit-Temperature Vent Sensor	019046F	019046F
<b>F</b>	<b>FAN</b>		
1-F	Kit-Blower Comb Air	018865F	018961F
2-F	Kit-Blower Gasket	018898F	018898F
<b>G</b>	<b>GAS VALVE</b>		
1-G	Blower/Gas Train Assy		
	Kit-Blower/Gas Train Natural (0-4500 Ft)	018861F	018862F
	Kit-Blower/Gas Train Propane (0-4500 Ft)	018863F	018864F
2-G	Gas Orifice		
	Kit-Gas Orifice Natural (0-4500 Ft)	018866F	018867F
	Kit-Gas Orifice Propane (0-4500 Ft)	018868F	018869F
3-G	Kit-Gas Valve w/ Gas Line Half	018870F	018870F
4-G	Kit-Gas Line End	018871F	018871F
5-G	Kit-Gas Line Grommet	018886F	018886F
6-G	Kit-Adapter Gas Orifice	018926F	018926F
<b>H</b>	<b>HEAT EXCHANGER</b>		
1-H	Kit-Heat Exchanger (Includes Refractory)	018900F	018901F
2-H	Kit-Tube Bundle (Includes Refractory)*	018849F	018850F
3-H	Kit-Heat Exchanger Baffle	019047F	019048F
4-H	Kit-Inlet/Outlet Header Complete	019049F	019049F
	Kit-Inlet /Outlet Header	019050F	019050F
5-H	Kit-Return Header	019051F	019051F
6-H	Kit-Header Gasket (2)	019052F	019052F
7-H	Kit-Bypass Assy (w/Coils)		
	Level 0 Flow	019053F	019056F
	Level 1 Flow (Nominal)	019054F	019057F
	Level 2 Flow	019055F	019058F
8-H	Kit-Drain Plug Pool	006721F	006721F
9-H	Kit-Inlet/Outlet Header Dam	019059F	019059F
10-H	Kit-Inlet Header Adapter	019060F	019060F
11-H	Kit-Outlet Header Adapter	019061F	019061F
12-H	Kit-Unitherm Governor	019062F	019062F
13-H	Kit-Unitherm Governor Plug Polymer	019063F	019063F
14-H	Kit-2" CPVC Connector & Nut (2)	006723F	006723F
15-H	Kit-O Ring Inlet/Outlet Pool (2)	006724F	006724F
16-H	Kit-ProTek Shield Assy	017960F	017960F

\*WARNING: The Hydraulic conditions or water chemistry that caused the tube bundle to fail have very likely also damaged the bypass valve. We recommend to inspect the bypass assembly. Failure to do so could cause premature failure of this replacement part.

**APPROVED**

<b>M</b>	<b>MISCELLANEOUS COMPONENTS</b>		
1-M	Kit-Top Cover Assy	018852F	018852F
4-M	Kit-Top Lid	018902F	018902F
5-M	Kit-Power Switch	018903F	018903F
6-M	Kit-Bezel	018904F	018904F
7-M	Kit-Top Clip Assy	018905F	018905F
8-M	Kit-Top Knurled Screw Assy	018906F	018906F
10-M	Kit-Bezel Gasket	018921F	018921F
2-M	Kit-Power Cable Grommet	018884F	018884F
3-M	Kit-Corner Post	018891F	018891F
9-M	Kit-PRV Grommet	018920F	018920F
11-M	Kit-PRV Line	018936F	018936F
12-M	Kit-Pressure Switch 1.75 PSI	006737F	006737F
22-M	Kit-Pressure Switch 11 PSI Special-See Water Pressure Switch Adj. (Not Shown)	009133F	009133F
13-M	Kit-Wire Bonding 14/6 Connector	007155F	007155F
14-M	Kit-Tube Air Sample (Blower/Vent/Air Pressure Switch)	010348F	010348F
15-M	Kit-Wire/Harness (Not Shown)	019064F	019064F
16-M	Touch-up Paint (Not Shown)		
	Cool Dark Gray	750256	750256
	Warm Dark Gray	750258	750258
	Maroon	750265	750265
17-M	Kit-Delimiting (Not Shown)	052871F	052871F
18-M	RTV Sealant 2.8 oz (Not Shown)	008924F	008924F
19-M	RTV Sealant 10 oz (Not Shown)	005755F	005755F
20-M	Kit-Elevation Natural (Not Shown)	019065F	019066F
21-M	Kit-Elevation Propane (Not Shown)	019067F	019068F



**APPROVED**

<b>CALL OUT</b>	<b>DESCRIPTION</b>	<b>264A</b>	<b>404A</b>
<b>P</b>	<b>PILOT</b>		
1-P	Kit-Igniter Direct Spark	018874F	018874F
2-P	Kit-Igniter Gasket	018879F	018879F
3-P	Kit-Hi Tension Wire	018875F	018875F
<b>R</b>	<b>REFRACTORY</b>		
1-R	Kit-Refractory Assy	018848F	018848F
<b>S</b>	<b>SHEET METAL / CABINET</b>		
1-S	Kit-Top Right Panel Assy Raypak/Rheem/Ruud (Cool Dark Gray) Jacuzzi (Beige)	018851F 018973F	018851F 018973F
2-S	Kit-Cabinet Top Support	018854F	018854F
3-S	Kit-Transformer Cover	018855F	018855F
4-S	Kit-Ignition Board Cover	018856F	018856F
5-S	Kit-Ignition Board Mounting	018859F	018859F
6-S	Kit-Anti Rotation Gas Valve Bracket	018860F	018860F
7-S	Kit-Comb Chamber Seal	018872F	018872F
8-S	Kit-Junction Box	018876F	018876F
9-S	Kit-Vent Cover Assy	018881F	018881F
10-S	Kit-Vent Mounting Panel Raypak/Rheem/Ruud (Cool Dark Gray) Jacuzzi (Beige)	018882F 018977F	018882F 018977F
11-S	Kit-Panel Left Side Vent Raypak/Rheem/Ruud (Cool Dark Gray) Jacuzzi (Beige)	018883F 018976F	018883F 018976F
12-S	Kit-Panel Junction Box Cover Raypak/Rheem/Ruud (Cool Dark Gray) Jacuzzi (Beige)	018885F 018975F	018885F 018975F
13-S	Kit-Panel Front Raypak (Maroon) Rheem (Warm Dark Gray) Ruud (Cool Dark Gray) Jacuzzi (Beige)	018888F 018889F 018887F 018890F	018888F 018889F 018887F 018890F
14-S	Kit-Panel Rear Raypak (Maroon) Rheem/Ruud (Cool Dark Gray) Jacuzzi (Beige)	018893F 018894F 018895F	018893F 018894F 018895F
15-S	Kit-Base Assy	018892F	018892F
16-S	Kit-Bottom Right Panel UG Raypak/Rheem/Ruud (Cool Dark Gray) Jacuzzi (Beige)	018896F 018978F	018896F 018978F
17-S	Kit-Bottom Right Panel PRV Raypak/Rheem/Ruud (Cool Dark Gray) Jacuzzi (Beige)	018897F 018974F	018897F 018974F
18-S	Kit-Comb Chamber Support	018899F	018899F
<b>V</b>	<b>VENTING</b>		
1-V	Kit-Flue Exhaust	018877F	018877F
2-V	Kit-Flue Exhaust Gasket	018880F	018880F
3-V	Kit-Flue Adapter 4" SS	018932F	018932F
<b>CONVERSION KITS*</b>		<b>264</b>	<b>404</b>
	Nat. to Pro.	N/A	N/A
	Pro. to Nat.	N/A	N/A

\* Gas conversions are to be done only by a qualified agency.

# 16. INSTRUCTIONS IMPORTANTES POUR LE COMMONWEALTH DU MASSACHUSETTS

Le Commonwealth of Massachusetts exige que l'installation d'appareils à évacuation directe dont le conduit traverse un mur soit conforme au 248 CMR 4,00 et 5,00, comme ci-après:

(a) Tout appareil au gaz à évacuation murale, dont le conduit d'évacuation est installé à l'horizontale et qui est installé dans tout logement, bâtiment ou structure utilisé en tout ou en partie à des fins résidentielles, y compris ceux qui sont la propriété de l'État du Massachusetts, et où la terminaison du conduit d'évacuation se trouve à moins de 7 pi au-dessus du niveau du sol, y compris notamment une terrasse ou un porche, les conditions qui suivent doivent être respectées:

1. **INSTALLATION DE DÉTECTEURS DE MONOXYDE DE CARBONE** Au moment de l'installation d'équipement au gaz dont le conduit d'évacuation est installé à l'horizontale, le plombier ou le technicien de gaz chargé de l'installation doit s'assurer qu'un détecteur de monoxyde de carbone à raccordement électrique fixe et muni d'une alarme ainsi que d'une pile de secours est installé à l'étage où se trouve l'équipement au gaz. De plus, le plombier ou le technicien de gaz chargé de l'installation doit s'assurer qu'un détecteur de monoxyde de carbone à pile où à raccordement électrique fixe et muni d'une alarme, est installé sur tous les autres étages d'un logement, d'un bâtiment ou d'une structure où se trouve l'équipement au gaz dont le conduit d'évacuation est installé à l'horizontale et se termine sur un mur extérieur. Il incombe au propriétaire de s'assurer les services de professionnels licenciés et qualifiés pour l'installation des détecteurs de monoxyde de carbone à raccordement électrique fixe.

a. Si l'équipement au gaz dont le conduit d'évacuation est installé à l'horizontale est installé dans un vide sanitaire ou un grenier, le détecteur de monoxyde de carbone à raccordement électrique fixe et muni d'une alarme ainsi que d'une pile de secours peut être installé à l'étage adjacent.

b. Si les conditions de ce règlement ne sont pas remplies au moment de la fin des travaux d'installation, le propriétaire bénéficie d'une période de grâce de 30 jours pour se conformer aux conditions énumérées ci-dessus, à la condition qu'un détecteur de monoxyde de carbone à pile muni d'une alarme soit installé pendant toute ladite période.

2. **DÉTECTEURS DE MONOXYDE DE CARBONE APPROUVÉS** Les détecteurs de monoxyde de carbone requis par les dispositions précédentes doivent être conformes à la norme NFPA 720, être homologués selon la norme ANSI/UL 2034 et certifiés par IAS.

3. **AFFICHAGE** Une affiche de métal ou de plastique doit être montée de façon permanente à l'extérieur du bâtiment, à une hauteur minimale de 8 pieds du sol et directement en ligne avec la terminaison du conduit d'évacuation installé à l'horizontale d'un appareil ou équipement au gaz. L'affiche doit comporter le texte suivant : « CONDUIT D'ÉVACUATION DIRECTEMENT CI-DESSOUS. NE PAS OBSTRUER. »

4. **INSPECTION.** L'inspecteur local chargé de l'inspection d'appareils au gaz dont le conduit d'évacuation est installé à l'horizontale doit approuver l'installation uniquement s'il constate la présence de détecteurs de monoxyde de carbone et d'affiches,

en conformité avec les dispositions 248 CMR 5.08(2)(a), alinéas 1 à 4.

(b) **EXONÉRATION:** L'équipement suivant est exonéré de l'application des dispositions 248 CMR 5,08(2)(a), alinéas 1 à 4:

1. L'équipement cité dans le chapitre 10 ("Equipment Not Required To Be Vented"), de la plus récente édition du code NFPA 54 adoptée par le Conseil; et

2. L'équipement au gaz dont le conduit d'évacuation spécial est installé à l'horizontale et qui est installé dans une pièce ou une structure séparée du logement, du bâtiment ou d'une structure utilisée en tout ou en partie à des fins résidentielles.

(c) **EXIGENCES DU FABRICANT - SYSTÈME D'ÉVACUATION SPÉCIAL FOURNI.** Lorsque le fabricant de l'appareil au gaz dont le conduit d'évacuation est installé à l'horizontale fournit un système d'évacuation spécial, les directives d'installation de l'appareil et du système d'évacuation spécial doivent comporter:

1. Des instructions d'installation détaillées du système d'évacuation spécial ou de ses composantes;

2. Une liste de pièces complète du système d'évacuation spécial ou de ses composantes.

(d) **EXIGENCES DU FABRICANT - SYSTÈME D'ÉVACUATION SPÉCIAL NON FOURNI.** Lorsque le fabricant de l'équipement au gaz approuvé dont le conduit d'évacuation est installé à l'horizontale ne fournit pas les composantes d'évacuation des gaz de combustion, mais qu'il fait référence à un « système d'évacuation spécial », les exigences suivantes doivent être respectées:

1. Le manuel du système d'évacuation spécial doit être inclus avec l'appareil ou les instructions d'installation de l'appareil; et

2. Le système d'évacuation spécial en question doit être approuvé par le Conseil. De plus, le manuel de ce système doit inclure une liste de pièces détaillée ainsi que des directives d'installation détaillées.

(e) Dans le cas de tout équipement au gaz approuvé dont le conduit d'évacuation est installé à l'horizontale: les directives d'installation de l'appareil, les directives d'installation du conduit d'évacuation, les listes de pièces et toutes autres directives liées à l'évacuation des gaz de combustion doivent être conservées à proximité de l'appareil à la fin de l'installation.

## SURVEILLANCE DE LA PRESSION DE GAZ

Le Commonwealth du Massachusetts exige la présence de capteurs de haute et basse pression à réinitialisation manuelle sur tout appareil dont la puissance d'entrée est supérieure à 1 000 000 BTU/h, conformément à la norme 248 CMR 7.04(11) (d).

Un régulateur de pression de gaz (non fourni) est requis dans la canalisation en amont d'un appareil de chauffage dont la puissance d'entrée est supérieure à 1 000 000 BTU/h, conformément à la norme 248 CMR 7.04 Figure 3B.

# 17. GARANTIE

## GARANTIE LIMITÉE CHAUFFE-PISCINE ET SPA AVIA Modèles: 264A, 404A

### PORTÉE DE LA GARANTIE

Raypak, Inc. (« Raypak ») garantit au propriétaire initial que le chauffe-piscine ou spa (« l'appareil ») installé dans l'une des provinces ou l'un de territoires du Canada, avec une piscine ou un spa par un installateur dûment autorisé, sera exempté de défauts de matériaux et de fabrication si utilisée et entretenue dans des conditions normales pour toute la période de garantie applicable. Dans le cadre de cette Garantie Limitée, Raypak peut, à sa seule discrétion, réparer ou remplacer toute pièce défectueuse de l'appareil. L'appareil réparé ou remplacé n'est garanti que pendant la partie non utilisée de la période de garantie d'origine applicable, ou de la période de garantie prolongée, si applicable. La présente garantie limitée ne s'applique pas aux appareils de chauffage vendus en dehors des provinces ou territoires du Canada.

### DATE D'ENTRÉE EN VIGUEUR

Toutes les périodes de garantie applicables spécifiées dans la présente garantie limitée sont calculées à partir de la date d'entrée en vigueur. La date d'entrée en vigueur de cette garantie est la date d'achat ou d'installation si elle est bien documentée.

Si la preuve d'achat ou d'installation n'est pas disponible, la date d'entrée en vigueur est la date de fabrication plus 60 jours.

### PÉRIODES DE GARANTIE APPLICABLE – SANS ENREGISTREMENT OU INSTALLATION PAR SOI-MÊME

Si l'appareil est installé avec une piscine ou un spa, la période de garantie applicable, pièces et main-d'œuvre, est de quatre-vingt-dix (90) jours à compter de la date d'entrée en vigueur pour l'appareil et ses composants.

### PÉRIODE DE GARANTIE PROLONGÉE - SERVICE PROFESSIONNEL

Si, dans les 90 jours suivant la date d'entrée en vigueur, (i) l'appareil est installé pour chauffer une piscine ou un spa dans un logement résidentiel unifamilial par un installateur dûment autorisé (conformément aux lois et règlements locaux applicables), et (ii) enregistré auprès Raypak ([www.raypak.com/warranty](http://www.raypak.com/warranty)) avec un reçu d'installation joint à un tel enregistrement, alors la période de garantie applicable est de deux (2) ans pièces et main d'œuvre, à partir de la date d'entrée en vigueur pour l'appareil et ses composants. Cette garantie exclut les appareils installés ailleurs que dans un logement résidentiel unifamilial, car cet appareil n'est pas destiné à être installé dans un autre type d'emplacement.

### PÉRIODE DE GARANTIE PROLONGÉE – CONSTRUCTEUR, NOUVELLE CONSTRUCTION

Si, dans les 90 jours suivant la date d'entrée en vigueur, (i) l'appareil est installé pour chauffer une piscine ou un spa dans un logement résidentiel unifamilial par un installateur dûment autorisé (conformément aux lois et règlements locaux applicables), et (ii) enregistré auprès Raypak ([www.raypak.com/warranty](http://www.raypak.com/warranty)) avec un reçu d'installation joint à un tel enregistrement, alors la période de garantie applicable est de trois (3) ans pièces et main d'œuvre, à partir de la date d'entrée en vigueur pour l'appareil et ses composants. Cette garantie exclut les appareils installés ailleurs que dans un logement résidentiel unifamilial, car cet appareil n'est pas destiné à être installé dans un autre type d'emplacement.

### PÉRIODE DE GARANTIE APPLICABLE EN CALIFORNIE – AUTO INSTALLÉ

Si l'appareil est installé en Californie et si l'appareil est installé avec une piscine ou un spa, la période de garantie applicable, pièces et main-d'œuvre, est de quatre-vingt-dix (90) jours à compter de la date d'entrée en vigueur pour l'appareil et ses composants.

### CALIFORNIA EXTENDED WARRANTY PERIOD – SERVICE PROFESSIONAL

Si l'appareil est installé en Californie et si, dans les 90 jours suivant la date d'entrée en vigueur, (i) l'appareil est installé pour chauffer une piscine ou un spa dans un logement résidentiel unifamilial par un installateur dûment autorisé (conformément aux lois et règlements locaux applicables), alors la période de garantie applicable est de deux (2) ans pièces et main d'œuvre, à partir de la date d'entrée en vigueur pour l'appareil et ses composants. Cette garantie exclut les appareils installés ailleurs que dans un logement résidentiel unifamilial, car cet appareil n'est pas destiné à être installé dans un autre type d'emplacement.

## APPROVED

Les acheteurs d'appareils vendus en Californie ne sont pas tenus de s'enregistrer auprès de Raypak pour activer cette garantie prolongée. Le défaut d'enregistrer votre produit ne réduit pas vos droits de garantie. Veuillez conserver votre preuve d'achat. Si vous choisissez d'enregistrer votre achat auprès de Raypak, vous pouvez le faire à l'adresse [www.raypak.com/warranty](http://www.raypak.com/warranty).

### **PÉRIODE DE GARANTIE PROLONGÉE, CALIFORNIE – CONSTRUCTEUR, NOUVELLE CONSTRUCTION**

Si l'appareil est installé en Californie et si, dans les 90 jours suivant la date d'entrée en vigueur, (i) l'appareil est installé pour chauffer une piscine ou un spa dans un logement résidentiel unifamilial par un installateur dûment autorisé (conformément aux lois et règlements locaux applicables), alors la période de garantie applicable est de trois (3) ans pièces et main d'œuvre, à partir de la date d'entrée en vigueur pour l'appareil et ses composants. Cette garantie exclut les appareils installés ailleurs que dans un logement résidentiel unifamilial, car cet appareil n'est pas destiné à être installé dans un autre type d'emplacement. Les acheteurs d'appareils vendus en Californie ne sont pas tenus de s'enregistrer auprès de Raypak pour activer cette garantie prolongée. Le défaut d'enregistrer votre produit ne réduit pas vos droits de garantie. Veuillez conserver votre preuve d'achat. Si vous choisissez d'enregistrer votre achat auprès de Raypak, vous pouvez le faire à l'adresse [www.raypak.com/warranty](http://www.raypak.com/warranty).

### **COÛTS DE MAIN-D'ŒUVRE ET D'EXPÉDITION**

La présente garantie limitée prend en charge les coûts raisonnables de main-d'œuvre pour les réparations ou les remplacements à condition que lesdits remplacements ou réparations soient faits par un fournisseur de services désigné Raypak pendant la période de garantie applicable et après autorisation par Raypak. Cette garantie limitée ne couvre pas le temps de déplacement et autres coûts de main-d'œuvre. De plus, cette garantie limitée ne couvre pas les frais de transport entre le site d'installation et le fournisseur de service désigné, à moins que la législation provinciale ne prévoit des dispositions contraires. Tous les coûts et dépenses décrits ci-dessus sont la responsabilité du client.

### **EXCLUSIONS DE GARANTIE**

Cette Garantie limitée NE s'applique PAS:

1. si le produit a été déplacée de son lieu d'installation d'origine ou si le détenteur d'origine n'est plus propriétaire du lieu d'installation d'origine;
- si le produit n'est pas correctement raccordé à la piscine ou au spa par un installateur agréé et conformément aux codes et règlements locaux en vigueur, aux règles de l'art et aux consignes d'installation du fabricant;
3. si la plaque signalétique ou le numéro de série ont été modifiés ou effacés;
4. si le produit a été modifié de quelque manière que ce soit, ou si des accessoires ou composants non autorisés sont utilisés avec le produit;
5. en cas de dommage, de défectuosité ou de défaillance causés par une mauvaise installation ou utilisation, par un mauvais entretien du produit ou par tout autre usage non conforme aux instructions du fabricant;
6. en cas de dommage, défectuosité ou défaillance résultant d'une utilisation abusive, d'une catastrophe naturelle, d'un accident, d'un incendie, d'une inondation, du gel, de la foudre ou autre;
7. en cas de dommage, défectuosité ou défaillance causés par des dispositifs de commande connectés au système ou par des accessoires fabriqués par des tiers;
8. en cas de problème de rendement causé par un dimensionnement inadéquat du produit, l'alimentation électrique, le câblage ou les dispositifs de protection électrique;
9. en cas de problèmes de performance causés par l'utilisation d'un appareil sous-dimensionné ou surdimensionné (en utilisant le bon appareil, selon la puissance d'entrée pour un volume donné d'eau) et des températures de l'eau inférieures à 50°F;
10. en cas d'utilisation de tout accessoire, notamment tout dispositif économiseur d'énergie non autorisé par le fabricant;
11. en cas de dommages, défectuosités ou défaillances résultant d'une mauvaise utilisation ou de négligence comme, entre autres, l'exposition au gel, faire fonctionner l'appareil sans sa porte, la présence de restrictions à l'écoulement ou d'obstacles entre la sortie de l'appareil et la piscine/spa, ou lorsque les paramètres d'eau sont inadéquats (pH entre 7,3 et 7,8 alcalinité totale entre 80 et 150 PPM. Les solides dissous totaux ne doivent pas être supérieurs à 3000 ppm. Dans les bassins chlorés d'eau salée, les solides dissous totaux ne doit pas dépasser 6000 ppm);
12. en cas de dommages causés par la présence de produits chimiques corrosifs ou combustibles dans le voisinage de l'appareil;
13. en cas de dommage au ProTeK Shield™ de Raypak, qui n'est pas couvert par la garantie. Le ProTek Shield est un dispositif de protection sacrificiel qui doit être remplacé dans le cadre d'un entretien de routine. Les dommages causés à l'appareil en raison de l'épuisement du ProTek Shield peuvent affecter la garantie de l'échangeur de chaleur.

## APPROVED

Si le concessionnaire n'est pas disponible, veuillez joindre l'un de nos emplacements de garantie Raypak à l'adresse [www.raypak.com/find-awarranty-station/](http://www.raypak.com/find-awarranty-station/). Lors du dépôt d'une réclamation, veuillez fournir le numéro de modèle, le numéro de série, la date d'installation originale et une description du problème. Une autorisation DOIT être obtenue PRÉALABLEMENT à toute réparation pour faire valoir la garantie limitée. La garantie limitée est NULLE si l'appareil est réparé ou modifié par TOUTE AUTRE PERSONNE OU ENTREPRISE que celles autorisées par Raypak. Raypak se réserve en tout temps le droit d'inspecter l'appareil ou d'exiger son retour ou celui du composant défectueux, et d'établir lui-même la couverture de garantie en usine.

### **GARANTIE EXCLUSIVE – LIMITE DE RESPONSABILITÉ**

**LA GARANTIE LIMITÉE EST LA SEULE GARANTIE FOURNIE PAR RAYPAK EN RELATION À L'APPAREIL ET À SES COMPOSANTS. NUL N'EST AUTORISÉ À OFFRIR D'AUTRES GARANTIES AU NOM DE RAYPAK. AUCUNE DES GARANTIES IMPLICITES, NOTAMMENT DE QUALITÉ MARCHANDE ET D'APTITUDE À RÉPONDRE À UN BESOIN PARTICULIER, NE DOIT ÊTRE INTERPRÉTÉE DANS UN SENS QUI DÉPASSE LA PÉRIODE DE GARANTIE APPLICABLE ÉNONCÉE CI-DESSUS.**

**LA SEULE RESPONSABILITÉ DE RAYPAK EN CAS DE DÉFAILLANCE EST EXPOSÉE DANS LA PRÉSENTE GARANTIE LIMITÉE. IL EST CONVENU QUE RAYPAK N'ASSUME AUCUNE RESPONSABILITÉ, DANS LE CADRE DE CETTE GARANTIE LIMITÉE OU PAR CONTRAT, RESPONSABILITÉ CIVILE, NÉGLIGENCE OU AUTRE, EN CAS DE DEMANDES DE DOMMAGES-INTÉRÊTS SPÉCIAUX, ACCESSOIRES OU CONSÉCUTIFS (Y COMPRIS AUCUNE RESPONSABILITÉ EN CAS DE FUITE D'EAU), QUI SONT ICI EXPRESSÉMENT EXCLUES. COMME CERTAINES PROVINCES NE PERMETTENT PAS DE LIMITE DE DURÉE POUR LA GARANTIE IMPLICITE OU POUR L'EXCLUSION DE DOMMAGES ACCESSOIRES OU CONSÉCUTIFS, IL SE PEUT QUE LES LIMITES OU EXCLUSIONS CI-DESSOUS NE S'APPLIQUENT PAS À VOTRE CAS. CETTE GARANTIE LIMITÉE CONFÈRE AU CLIENT DES DROITS JURIDIQUES PARTICULIERS, QUI PEUVENT IMPLIQUER DES DROITS AFFÉRENTS OU VARIER SELON LA JURIDICTION.**

Il est recommandé d'inscrire immédiatement le modèle, le numéro de série et la date originale d'installation par un installateur qualifié et de conserver ce certificat de garantie pour pouvoir éventuellement faire une demande de service au titre de cette garantie.

**NE PAS RETOURNER CE DOCUMENT À RAYPAK. CONSERVEZ-LE AVEC LA THERMOPOMPE OU POUR VOS DOSSIERS.**

**L'enregistrement de votre produit est obligatoire en ligne à**

**[www.raypak.com/warranty](http://www.raypak.com/warranty)**

