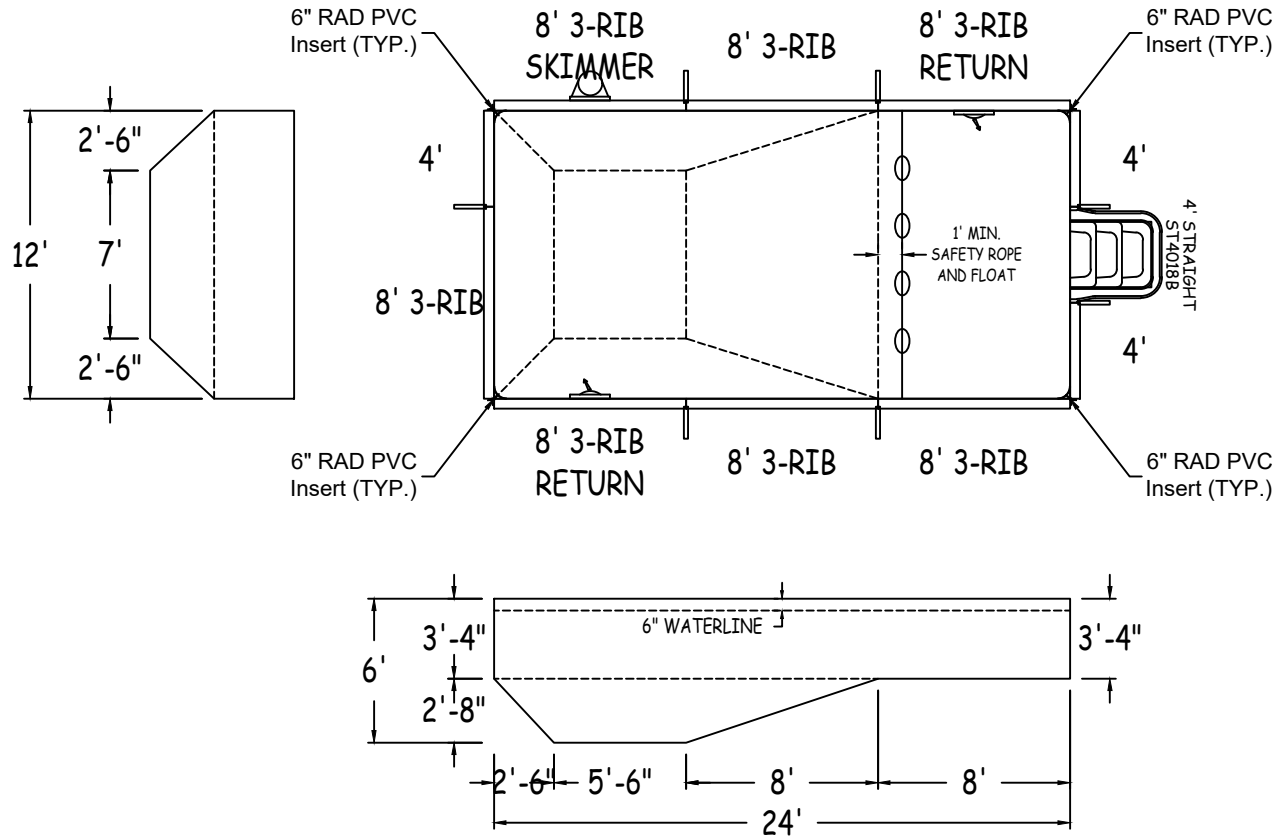


IN ACCORDANCE WITH ANSI/APSP/ICC-5 2011, THE INSTALLER IS RESPONSIBLE FOR PLACING ONE SKIMMER FOR EVERY 800 SQUARE FEET OF SURFACE AREA AND ONE RETURN FOR EVERY 300 SQUARE FEET OF SURFACE AREA.



Radius Panel Length: 0 FT 0 IN  
 Straight Panel Length: 68 FT 0 IN

**LATHAM STEEL**

**RECTANGLE 6IN RAD 12-0 x 24-0**

42" STEEL PANELS

PERIMETER: 72'-0" VOLUME (US Gal): 8000

DWG#: 2026-SPL-19337

SURFACE (ft²): 288 VOLUME (Liters): 30300

KIT#: CUSTOMKIT

LINER (ft²): 288 DATE: 4/10/2026 DSR:

COVER (ft²): 364

SCALE: 1/8" = 1'-0"



**NON-DIVING POOL**

USE OF DIVING EQUIPMENT IS PROHIBITED

CUSTOMER: AQUIFORM EAST (BRANTFORD)

JOB NAME: PSC #1 3

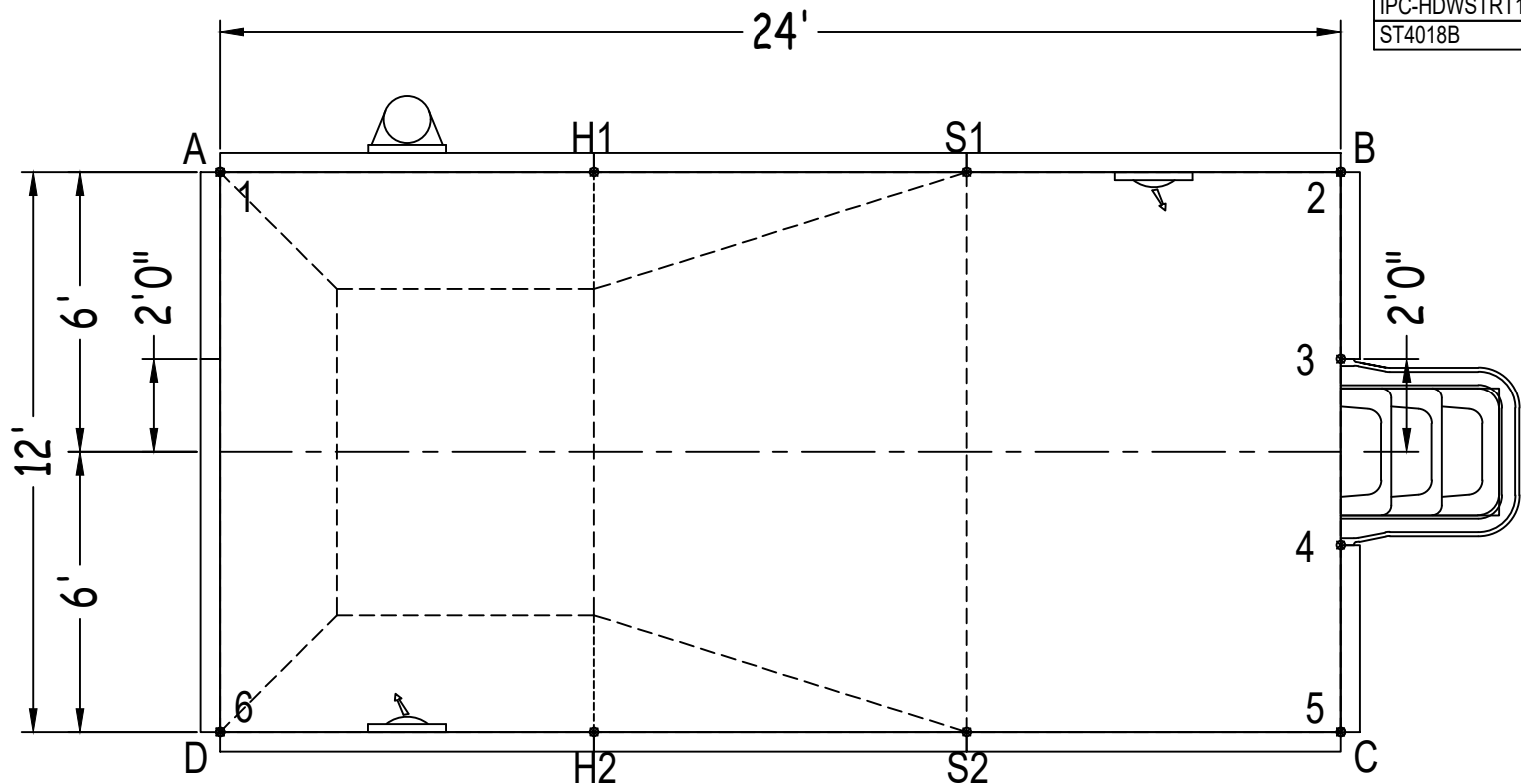
ALL ASPECTS OF THIS DRAWING COMPLIES WITH ANSI/APSP/ICC-5 2011 AND ISPSC EDITIONS 2018, 2021, & 2024

**RECTANGLE**

SHEET: 1 OF 2

Diagonals			
S1 to S2	12'-0"	2 to 3	4'-0"
H1 to H2	12'-0"	2 to 4	8'-0"
S1 to H1	8'-0"	2 to 5	12'-0"
S2 to H2	8'-0"	2 to 6	26'-10"
S1 to H2	14'-5"	3 to 4	4'-0"
H1 to S2	14'-5"	3 to 5	8'-0"
1 to 2	24'-0"	4 to 5	4'-0"
1 to 3	24'-4"	4 to 6	24'-4"
1 to 4	25'-3 1/2"	5 to 6	24'-0"
1 to 5	26'-10"		
1 to 6	12'-0"		

		Base
Part number	Description	QTY
ST0960003*	8' 3-RIB RETURN	2
ST0960003*	8' 3-RIB SKIMMER	1
ST0960003X	8' 3-RIB	4
ST0480001X	4'	3
Brace	Brace	7
IPC-AB90	CONNECTOR CNR ANGLE 90D 42"	4
IPC-AB90-INS6R	CORNER INSERT 6" RAD PVC 42"	4
IPC-STKPK25	REBAR STAKE 18" 25PC	1
IPC-HDWSTR150	BOLT STR 3/8-16X1" C/W NUT 150PC	1
ST4018B	THICKSHEET STEP STRAIGHT 4'	1



	A	B	C	D
1	0"	24'-0"	26'-10"	12'-0"
2	24'-0"	0"	12'-0"	26'-10"
3	24'-4"	4'-0"	8'-0"	25'-3 1/2"
4	25'-3 1/2"	8'-0"	4'-0"	24'-4"
5	26'-10"	12'-0"	0"	24'-0"
6	12'-0"	26'-10"	24'-0"	0"
S2	20'-0"	14'-5"	8'-0"	16'-0"
S1	16'-0"	8'-0"	14'-5"	20'-0"
H2	14'-5"	20'-0"	16'-0"	8'-0"
H1	8'-0"	16'-0"	20'-0"	14'-5"
A	-	24'-0"	26'-10"	12'-0"