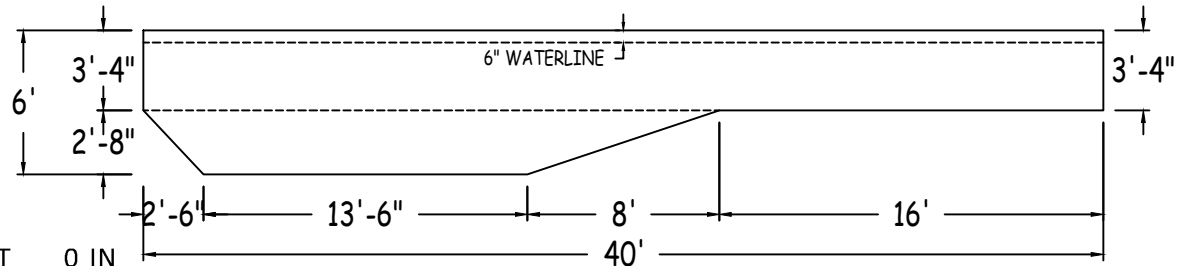
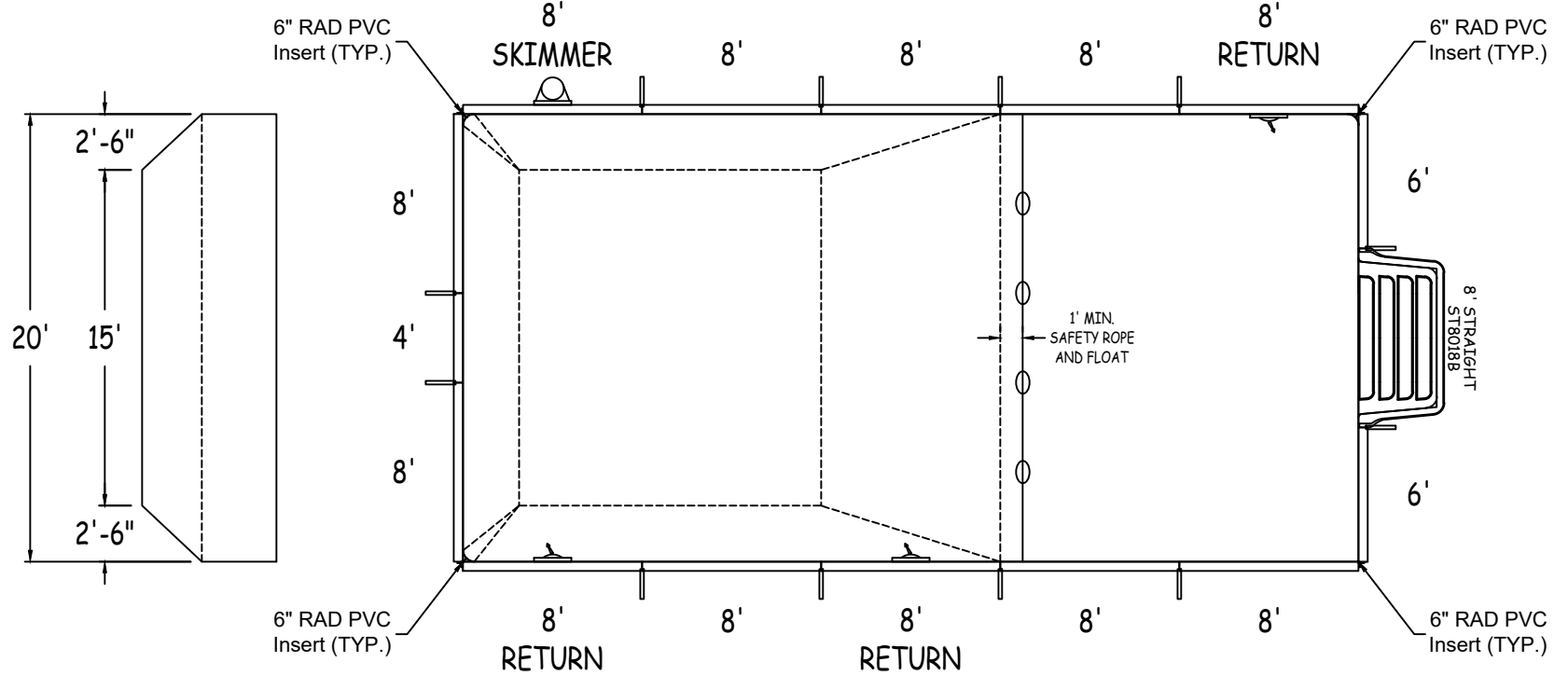


IN ACCORDANCE WITH ANSI/APSP/ICC-5 2011, THE INSTALLER IS RESPONSIBLE FOR PLACING ONE SKIMMER FOR EVERY 800 SQUARE FEET OF SURFACE AREA AND ONE RETURN FOR EVERY 300 SQUARE FEET OF SURFACE AREA.



Radius Panel Length: 0 FT 0 IN

Straight Panel Length: 112 FT 0 IN

**LATHAM STEEL**

**RECTANGLE 6IN RAD 20-0 x 40-0**

42" STEEL PANELS

PERIMETER: 120'-0" VOLUME (US Gal): 22300

DWG#: 2026-SPL-19342

SURFACE (ft²): 800 VOLUME (Liters): 84400

KIT#: CUSTOMKIT

LINER (ft²): 800 DATE: 4/9/2026 DSR:

COVER (ft²): 924 SCALE: 1/8" = 1'-0"



**NON-DIVING POOL**

USE OF DIVING EQUIPMENT IS PROHIBITED

CUSTOMER: AQUIFORM EAST (BRANTFORD)

JOB NAME: PSC #5 2

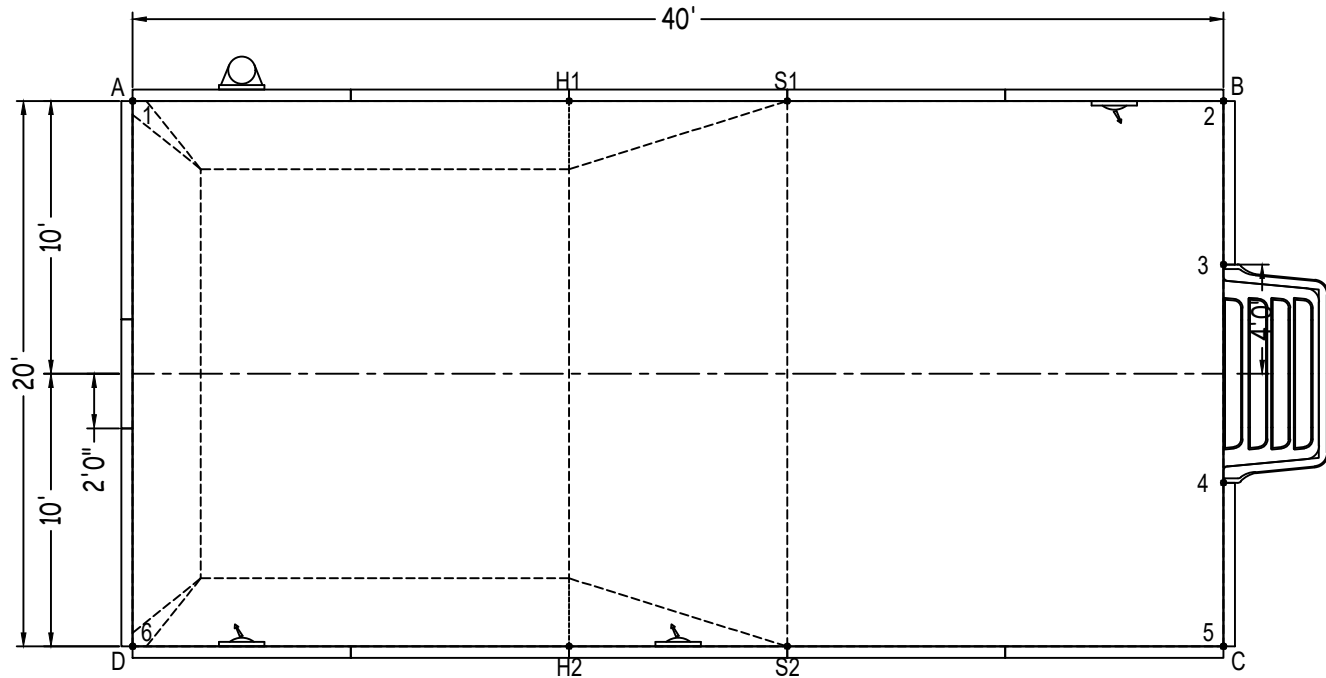
ALL ASPECTS OF THIS DRAWING COMPLIES WITH ANSI/APSP/ICC-5 2011 AND ISPSC EDITIONS 2018, 2021, & 2024

**RECTANGLE**

SHEET: 1 OF 2

Diagonals		S1toH2	21'-6 1/2"	1 to 5	44'-8 3/4"	2 to 6	44'-8 3/4"	4 to 6	40'-5 1/4"
S1toS2	20'-0"	H1toS2	21'-6 1/2"	1 to 6	20'-0"	3 to 4	8'-0"	5 to 6	40'-0"
H1toH2	20'-0"	1 to 2	40'-0"	2 to 3	6'-0"	3 to 5	14'-0"		
S1toH1	8'-0"	1 to 3	40'-5 1/4"	2 to 4	14'-0"	3 to 6	42'-4 1/2"		
S2toH2	8'-0"	1 to 4	42'-4 1/2"	2 to 5	20'-0"	4 to 5	6'-0"		

		Base
Part number	Description	QTY
ST0960002X	8'	8
ST0960002*	8' SKIMMER	1
ST0960002*	8' RETURN	3
ST0720001X	6'	2
ST0480001X	4'	1
Brace	Brace	12
IPC-AB90	CONNECTOR CNR ANGLE 90D 42"	4
IPC-AB90-INS6R	CORNER INSERT 6" RAD PVC 42"	3
IPC-STKPK25	REBAR STAKE 18" 25PC	2
IPC-HDWSTRT150	BOLT STR 3/8-16X1" C/W NUT 150PC	2
ST8018B	THICKSHEET STEP STRAIGHT 8'	1



	A	B	C	D
1	0"	40'-0"	44'-8 3/4"	20'-0"
2	40'-0"	0"	20'-0"	44'-8 3/4"
3	40'-5 1/4"	6'-0"	14'-0"	42'-4 1/2"
4	42'-4 1/2"	14'-0"	6'-0"	40'-5 1/4"
5	44'-8 3/4"	20'-0"	0"	40'-0"
6	20'-0"	44'-8 3/4"	40'-0"	0"
S2	31'-3"	25'-7 1/4"	16'-0"	24'-0"
S1	24'-0"	16'-0"	25'-7 1/4"	31'-3"
H2	25'-7 1/4"	31'-3"	24'-0"	16'-0"
H1	16'-0"	24'-0"	31'-3"	25'-7 1/4"
A	-	40'-0"	44'-8 3/4"	20'-0"