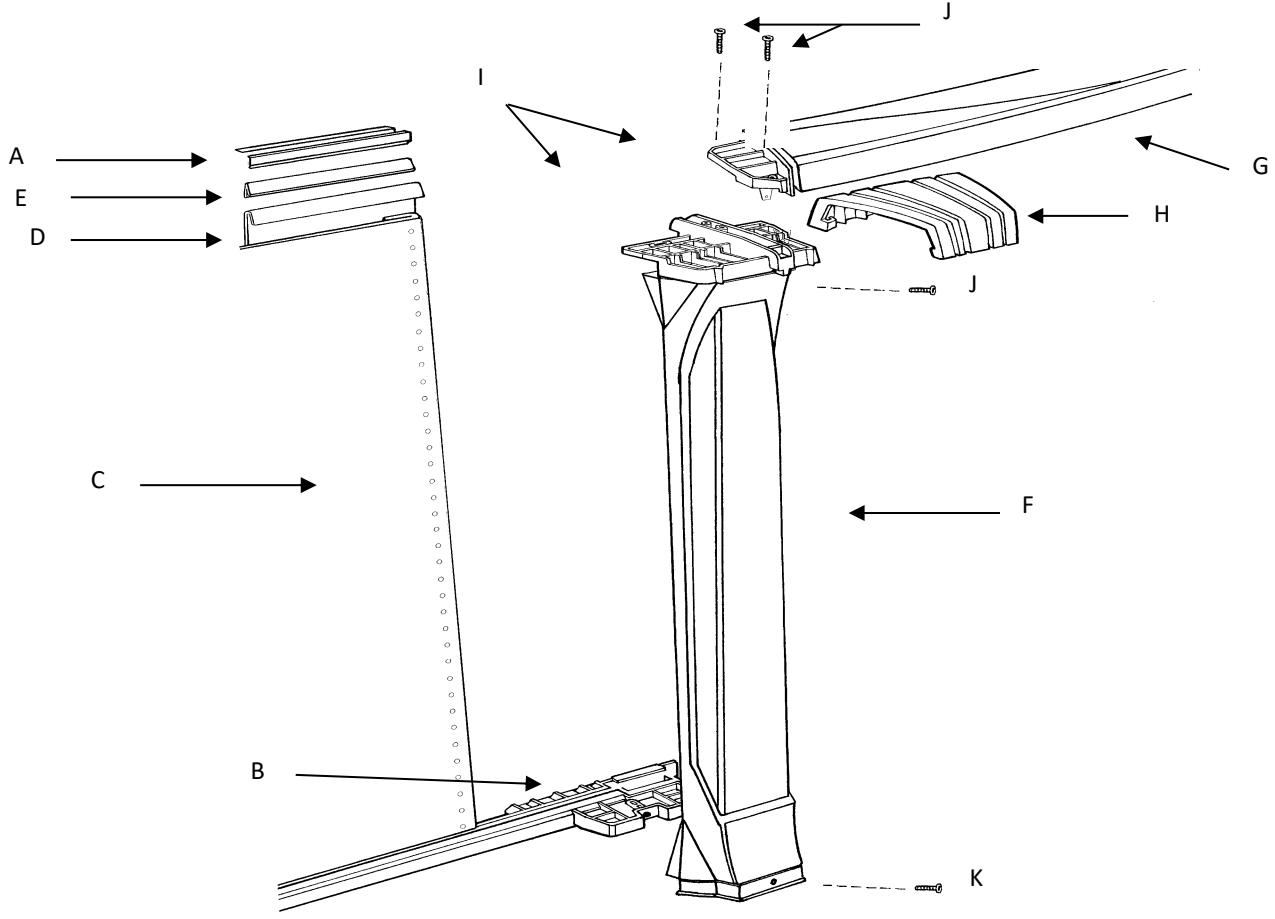


**Allegro RRR**  
**Allegro Gray**  
**Round**



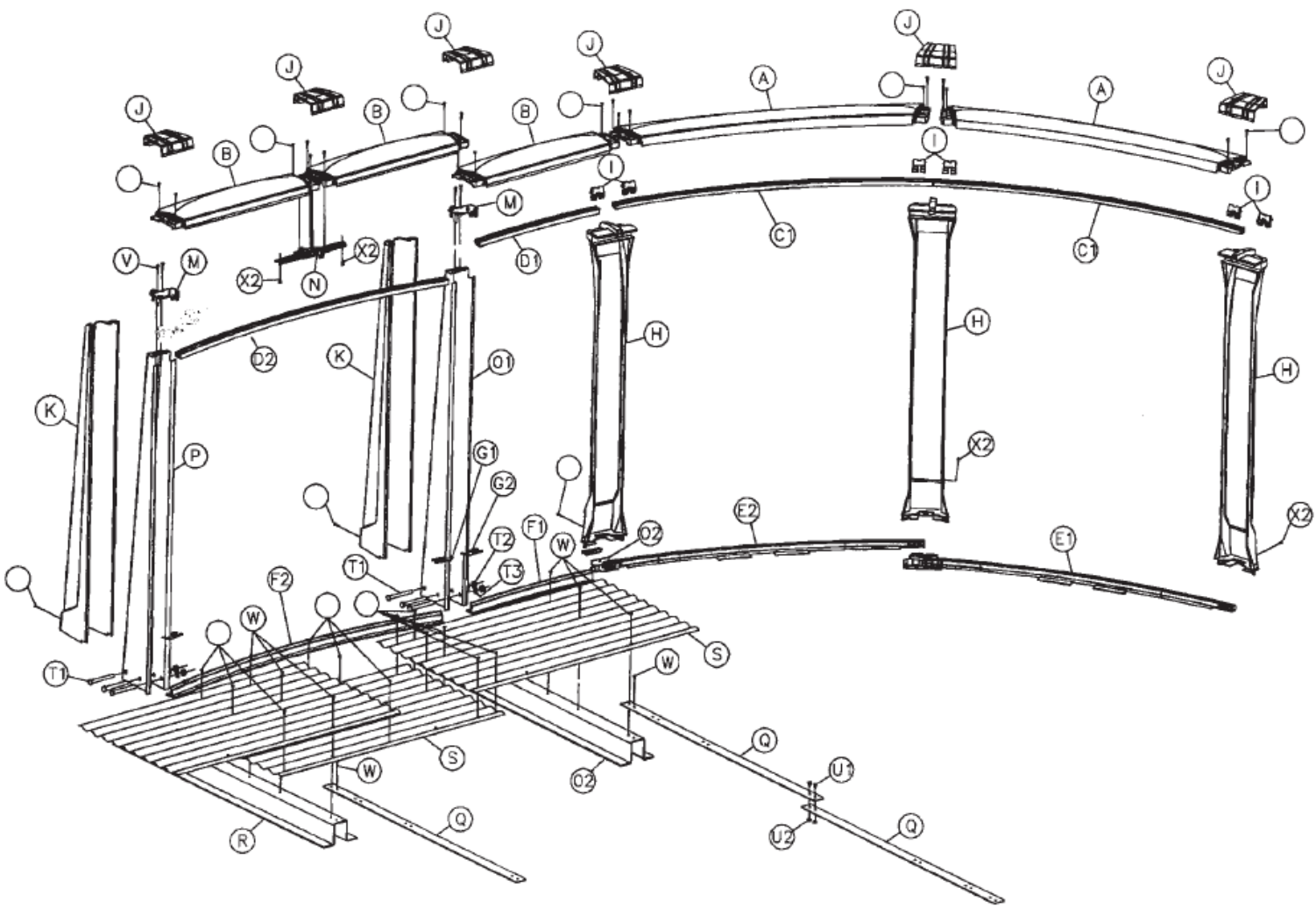
**Product Description:****Allegro Round**

Revised Sept. 2018

**Product Code:****Allegro Gray 52**

|         |  |              |             |        |    | Quantity required for installation (by pool size) |    |    |     |     |     |
|---------|--|--------------|-------------|--------|----|---|----|----|-----|-----|-----|
| Index # | Description                            | Part #       | Replacement | Length | 12 | 15  | 18 | 21 | 24  | 27  | 30  |
| A       | Stabilizer                             | 1072507100   |             |        | 9  | 11  |    |    |     |     |     |
| A       | Stabilizer                             | 1075807100   |             |        |    |   | 13 |    |     |     |     |
| A       | Stabilizer                             | 1071407100   |             |        |    |   |    | 15 | 17  |     |     |
| A       | Stabilizer                             | 1072707100   |             |        |    |   |    |    |     | 19  | 21  |
| B       | Bottom rail                            | 1082507200   |             |        | 9  | 11  |    |    |     |     |     |
| B       | Bottom rail                            | 1085807200   |             |        |    |   | 13 |    |     |     |     |
| B       | Bottom rail                            | 1081407200   | 1081407100  |        |    |   |    | 15 | 17  |     |     |
|         |  |              | 11207100000 |        |    |   |    |    |     |     |     |
| B       | Bottom rail                            | 1082707200   |             |        |    |   |    |    |     | 19  | 21  |
| C       | Steel wall 52" ( <i>hole-to-hole</i> ) |              |             |        | 1  | 1   | 1  | 1  | 1   | 1   | 1   |
| D       | Vinyl liner                            |              |             |        | 1  | 1   | 1  | 1  | 1   | 1   | 1   |
| E       | Plastic coping 48" (not included)      | 10296        |             | 48"    | 10 | 13  | 15 | 17 | 19  | 21  | 23  |
| F       | Upright 52"                            | 1020033A52   |             |        | 9  | 11  | 13 | 15 | 17  | 19  | 21  |
| G       | Curved top ledge 53"                   | 1010033A00   |             | 53"    | 9  | 11  | 13 | 15 | 17  | 19  | 21  |
| H       | Flexible ledge cover                   | 1030013A00   |             |        | 9  | 11  | 13 | 15 | 17  | 19  | 21  |
| I       | Upright clip                           | 6ADP10900A00 |             |        | 18 | 22  | 26 | 30 | 34  | 38  | 42  |
| J       | Stainless screw 12 x 3/4"              | V12X34       |             |        | 54 | 66  | 78 | 90 | 102 | 114 | 126 |
| K       | Stainless screw 12 x 1"                | 2PPS121      |             |        | 9  | 11  | 13 | 15 | 17  | 19  | 21  |
|         | Warranty box (pizza)                   | 6BGI.....    |             |        | 1  | 1   | 1  | 1  | 1   | 1   | 1   |

**Allegro RRR**  
**Allegro Gray**  
**Profile**



Product Description :

Allegro Profile

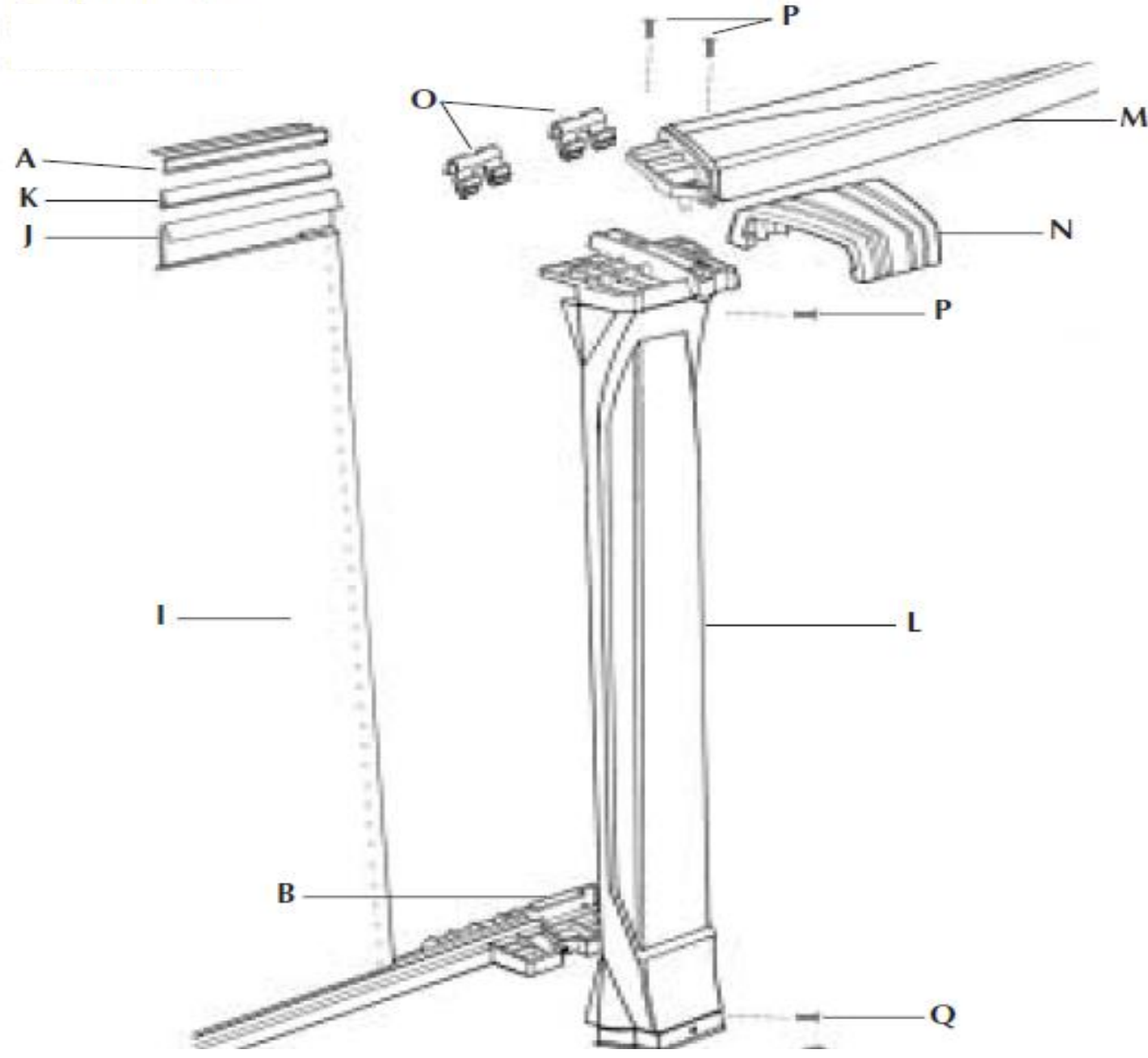
Revised Sept. 2018

Product Code :

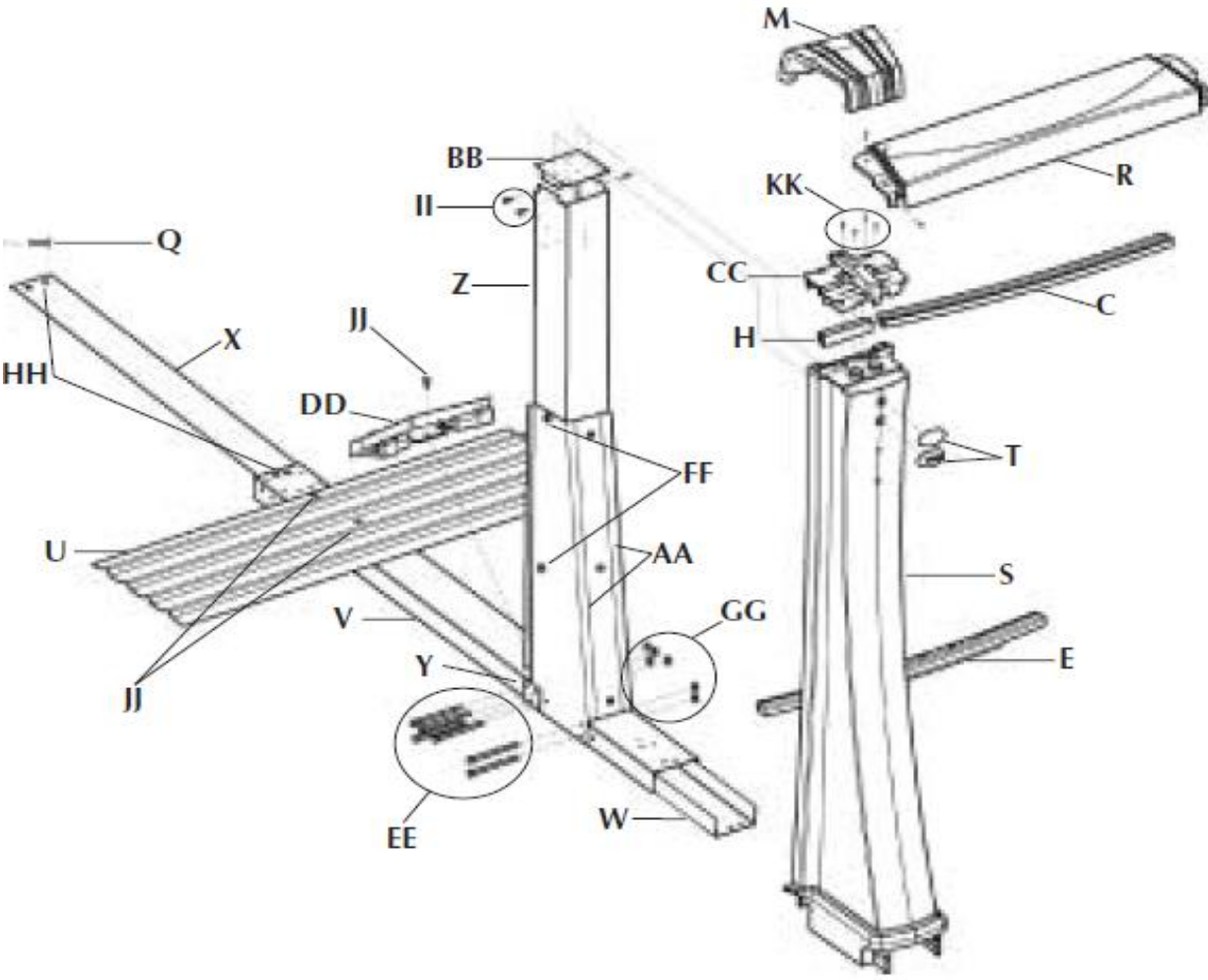
Allegro Gray 52

|         |                                      |              |             |        | Quantity required for installation (by pool size) |      |      |      |      |
|---------|--------------------------------------|--------------|-------------|--------|---|------|------|------|------|
| Index # | Description                          | Part #       | Replacement | Length | 1221  | 1523 | 1528 | 1533 | 1836 |
| A       | Curved top ledge 53"                 | 1010033A00   |             | 53"    | 8   | 10   | 10   | 10   | 12   |
| B       | Straight top ledge 29" (oval)        | 1010033A70   |             | 29"    | 8   | 8    | 12   | 16   | 16   |
| C1      | Stabilizer 12'                       | 1072507100   |             |        | 8   |      |      |      |      |
| C2      | Stabilizer 15'/18'                   | 1075807100   |             |        |   | 10   | 10   | 10   | 12   |
| D1      | Stabilizer - Transition              | 1070033724   |             |        | 4   | 4    | 4    | 4    | 4    |
| D2      | Stabilizer 60"                       | 1070033760   |             | 60"    | 2   | 2    | 4    | 6    | 6    |
| E1      | Bottom rail 12'                      | 1082507200   |             |        | 6   |      |      |      |      |
| E2      | Bottom rail w/o plate 12'            | 1082507100   |             |        | 2   |      |      |      |      |
| E3      | Bottom rail 15'-18'                  | 1085807200   |             |        |   | 6    | 8    | 8    | 10   |
| E4      | Bottom rail w/o plate 15'-18'        | 1085807100   |             |        |   | 2    | 2    | 2    | 2    |
| F1      | Bottom rail - Transition             | 1080033624   |             |        | 4   | 4    | 4    | 4    | 4    |
| F2      | Bottom rail 60"                      | 1080033660   |             | 60"    | 2   | 2    | 4    | 6    | 6    |
| G1      | Extrusion clip - Right               | 2CLP070      |             |        | 6   | 6    | 8    | 10   | 10   |
| G2      | Extrusion clip - Left                | 2CLP071      |             |        | 6   | 6    | 8    | 10   | 10   |
| H       | Upright 52"                          | 1020033B52   |             |        | 10  | 12   | 12   | 12   | 14   |
| I       | Upright clip                         | 6ADP10900A00 |             |        | 20  | 24   | 24   | 24   | 28   |
| J       | Flexible ledge cover                 | 1030013A00   |             |        | 16  | 12   | 22   | 26   | 28   |
| K       | Upright cover 52"                    | 1020033070   |             |        | 4   | 4    | 6    | 8    | 8    |
| L       | Steel wall 52" (hole-to-hole)        |              |             |        | 1   | 1    | 1    | 1    | 1    |
| M       | Upright plate                        | 2TPA070      |             |        | 4   | 4    | 6    | 8    | 8    |
| N       | Mid-Span plate                       | 2MPA070      |             |        | 2   | 2    | 4    | 6    | 6    |
| O1      | Transition foot plate - Right        | 2RENA70      |             |        | 2   | 2    | 2    | 2    | 2    |
| O2      | Transition foot plate - Left         | 2RENA71      |             |        | 2   | 2    | 2    | 2    | 2    |
| P       | Straight side steel upright 52"      | 2RENO70      |             |        | 4   | 4    | 6    | 8    | 8    |
| Q       | Steel straps                         | 2BDM070      |             |        | 4   | 4    | 6    | 8    | 12   |
| R       | Omega channel                        | 2OCH070      |             |        | 4   | 4    | 6    | 8    | 8    |
| S       | Pressure plate                       | 2ANG070      |             |        | 4   | 4    | 8    | 12   | 12   |
| T1      | Hex bolts 1/2-13x5 1/2"-Gr.5. Galv   | 2PCB513      |             |        | 12  | 12   | 18   | 24   | 24   |
| T2      | Hex nuts 1/2 - 13 galv.              | 2PNZ513      |             |        | 12  | 12   | 18   | 24   | 24   |
| T3      | Lockwasher 1/2"-galv.                | 2PWZ500      |             |        | 12  | 12   | 18   | 24   | 24   |
| U1      | Phillips screw 1/4-20 x 3/4" inox    | 2PPS420      |             |        | 4   | 4    | 6    | 8    | 16   |
| U2      | Flange locknut 1/4 - 20              | 2FGS422      |             |        | 4   | 4    | 6    | 8    | 16   |
| V1      | Phillips screw no.10x1 Self drilling | 2PPS101      |             |        | 86  | 86   | 134  | 186  | 186  |
| V2      | Phillips screw SS no.10 x 1/2" Type  | 2PPS102      |             |        | 12  | 12   | 20   | 28   | 28   |
| W       | Hex washer head 1/4" x 1 Self drilli | 2PPS414      |             |        | 16  | 16   | 24   | 32   | 32   |
| X       | Stainless screw 12 x 3/4"            | V12X34       |             |        | 68  | 92   | 88   | 96   | 108  |
| Y       | Phillips screw SS no 12 x 1" Type A  | 2PPS121      |             |        | 6   | 8    | 8    | 8    | 10   |
| Z       | Liner                                |              |             |        | 1   | 1    | 1    | 1    | 1    |

Allegro RRR  
Allegro Gray  
Contour  
Round Section



**Allegro RRR**  
**Allegro Gray**  
**Contour**  
**Straight Section**



**Product Description**

**Allegro Contour**

Revised Sept. 2018

**Product Code**

**Allegro Gray 52**

|         |   |              |             |        | Quantity required for installation (by pool size) |      |      |      |
|---------|---|--------------|-------------|--------|---|------|------|------|
| Index # | Description   | Part #       | Replacement | Length | 1221  | 1528 | 1533 | 1836 |
| A       | Stabilizer (Round section)  | 1072507100   |             |        | 8   | 10   | 10   |      |
| A       | Stabilizer (Round section)  | 1075807100   |             |        |   |      |      | 12   |
| B       | Bottom rail (Round section)   | 1082507200   |             |        | 8   | 10   | 10   |      |
| B       | Bottom rail (Round section)   | 1085807200   |             |        |   |      |      | 12   |
| C       | Stabilizer (Straight side section)                                    | 1073007101   |             |        | 4   | 8    | 12   | 12   |
| C       | Stabilizer - Transition (End of straight side section) End stabilizer | 1073007102   |             |        | 4   | 4    | 4    | 4    |
| E       | Bottom rail (Straight side section)                                   | 1083007101   |             |        | 4   | 8    | 12   | 12   |
| E       | Bottom rail - Transition (without plate)(End of straight section)     | 1083007102   |             |        | 2   | 2    | 2    | 2    |
| E       | Bottom rail - Transition (with plate)(End of straight section)        | 1083007201   |             |        | 2   | 2    | 2    | 2    |
| H       | Wall rim spacer straight side section                                 | 2WRS001      |             |        | 6   | 10   | 14   | 14   |
| I       | Steel wall 52" (hole-to-hole)   |              |             |        | 1   | 1    | 1    | 1    |
| J       | Vinyl liner   |              |             |        | 1   | 1    | 1    | 1    |
| K       | Plastic coping 48" (not included)                                     | 10296        |             | 48"    | 14  | 19   | 21   | 24   |
| L       | Upright 52"   | 1020033A52   |             |        | 10  | 12   | 12   | 14   |
| M       | Curved top ledge 53"  | 1010033A00   |             | 53"    | 8   | 10   | 10   | 12   |
| N       | Flexible ledge cover  | 1030013A00   |             |        | 16  | 22   | 26   | 28   |
| O       | Upright clip  | 6ADP10900A00 |             |        | 20  | 24   | 24   | 28   |
| P       | Stainless screw 12 x 3/4"   | V12X34       |             |        | 96  | 132  | 156  | 168  |
| Q       | Stainless screw 12 x 1"   | 2PPS121      |             |        | 10  | 12   | 12   | 14   |
| R       | Straight top ledge 29" (oval)   | 1010033A70   |             | 29"    | 8   | 12   | 16   | 16   |
| S       | Upright cover 52"   | 10233000002  |             |        | 6   | 10   | 14   | 14   |
| T       | Logo Aqua Leader  | 13033000010  |             |        | 6   | 10   | 14   | 14   |
| T       | Logo Uni  | 13033000000  |             |        | 6   | 10   | 14   | 14   |
| U       | Pressure plate  |              |             |        | 6   | 10   | 14   | 14   |
| V       | Steel strap end channel   | 16539        |             |        | 6   | 10   | 14   | 14   |
| W       | Steel under channel   | 15933        |             |        | 6   | 10   | 14   | 14   |
| X       | Straps 12'  | 16724        |             |        | 6   |      |      |      |
| X       | Straps 15'  | 16725        |             |        |   | 15   | 21   |      |
| X       | Straps 18'  | 16726        |             |        |   |      |      | 21   |
| Y       | Washer 3 holes  | 16663        |             |        | 12  | 20   | 28   | 28   |
| Z       | Straight side steel upright 52"                                       | 18573        |             |        | 6   | 10   | 14   | 14   |
| AA      | Right gusset  | 16375        |             |        | 6   | 10   | 14   | 14   |
| AA      | Left gusset   | 16374        |             |        | 6   | 10   | 14   | 14   |
| BB      | Steel top plate   | 10136R       |             |        | 6   | 10   | 14   | 14   |
| CC      | Resin top plate   | 1040033A01   |             |        | 6   | 10   | 14   | 14   |
| DD      | Resin bottom plate straight section                                   | 10433000000  |             |        | 6   | 10   | 14   | 14   |
| EE      | Bolt 5"x5/16 - 18   | 99-0073      |             |        | 36  | 60   | 84   | 84   |
| FF      | Bolt 4 1/2" x 5/16 - 18   | 99-0045      |             |        | 12  | 20   | 28   | 28   |
| GG      | Nut 5/16 - 18   | 99-0027      |             |        | 66  | 120  | 168  | 168  |
| HH      | Screw 1/2" x 5/16 - 18  | 99-0026      |             |        | 18  | 40   | 56   | 56   |
| II      | Screw 1/2" #10  | 99-0068      |             |        | 42  | 70   | 98   | 98   |
| JJ      | Screw 3/4" #12 truss head   | 99-0022      |             |        | 30  | 54   | 78   | 78   |
| KK      | Screw 1" #10  | 99-0070      |             |        | 24  | 40   | 56   | 56   |
| LL      | Bolt 5 1/2 " x 1/4 - 20   | 2PCB520      |             |        | 6   | 10   | 14   | 14   |
| MM      | Nut 1/4 - 20  | 2PNS109      |             |        | 6   | 10   | 14   | 14   |