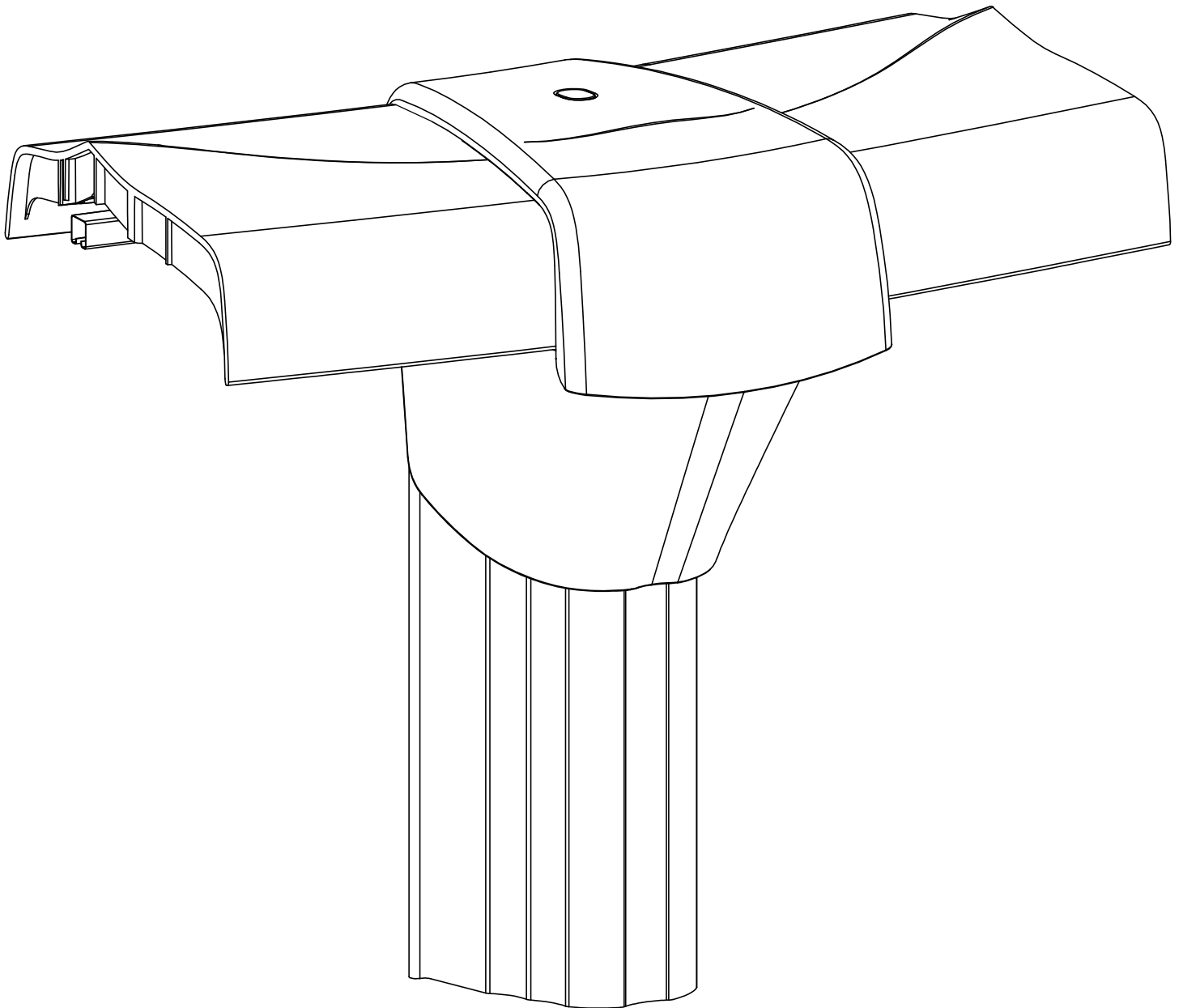
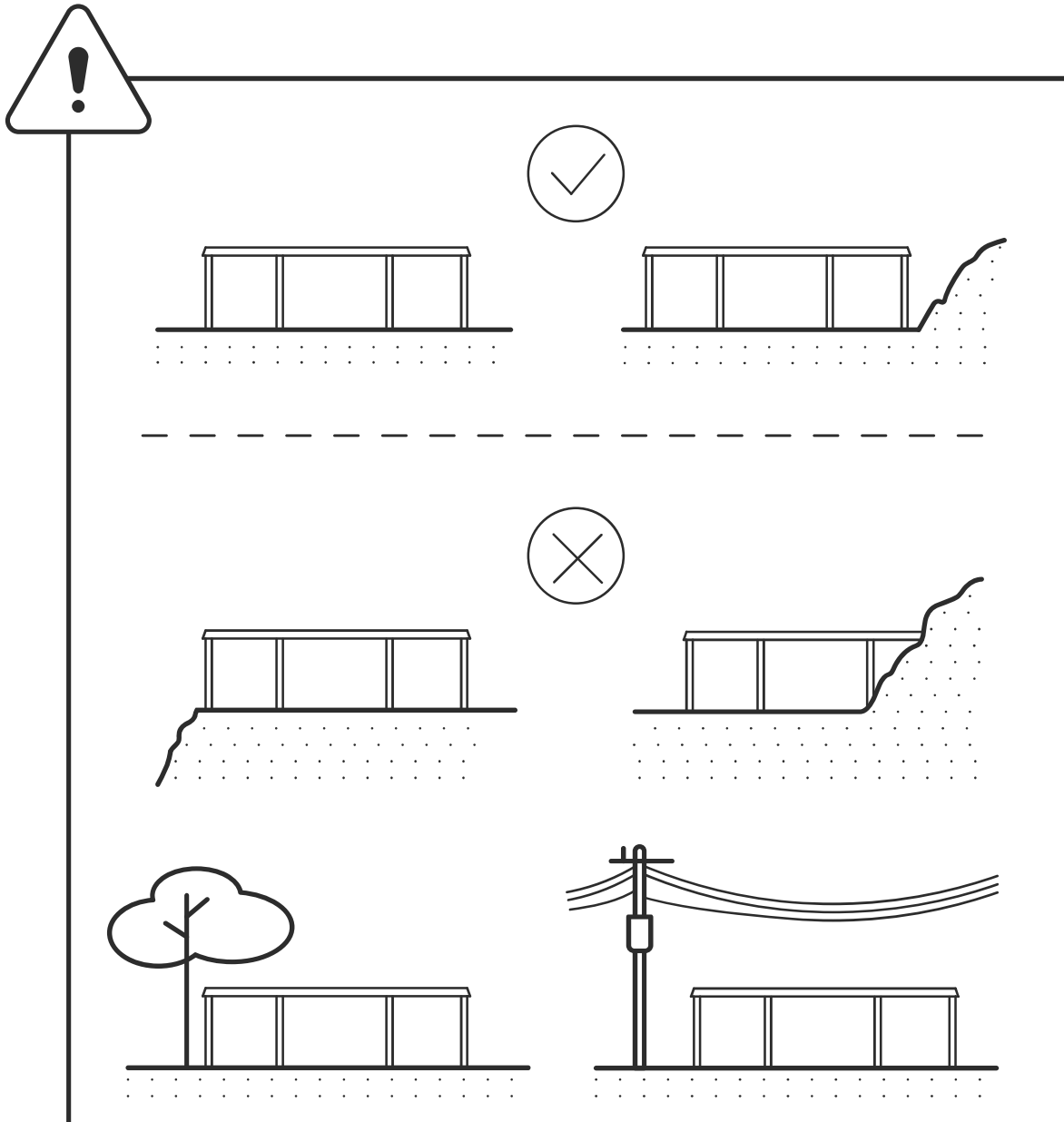
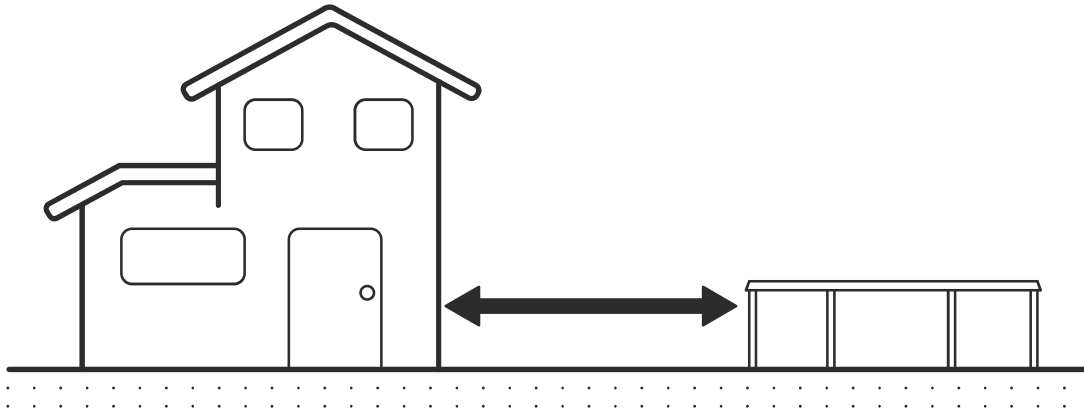


# ROUND POOL

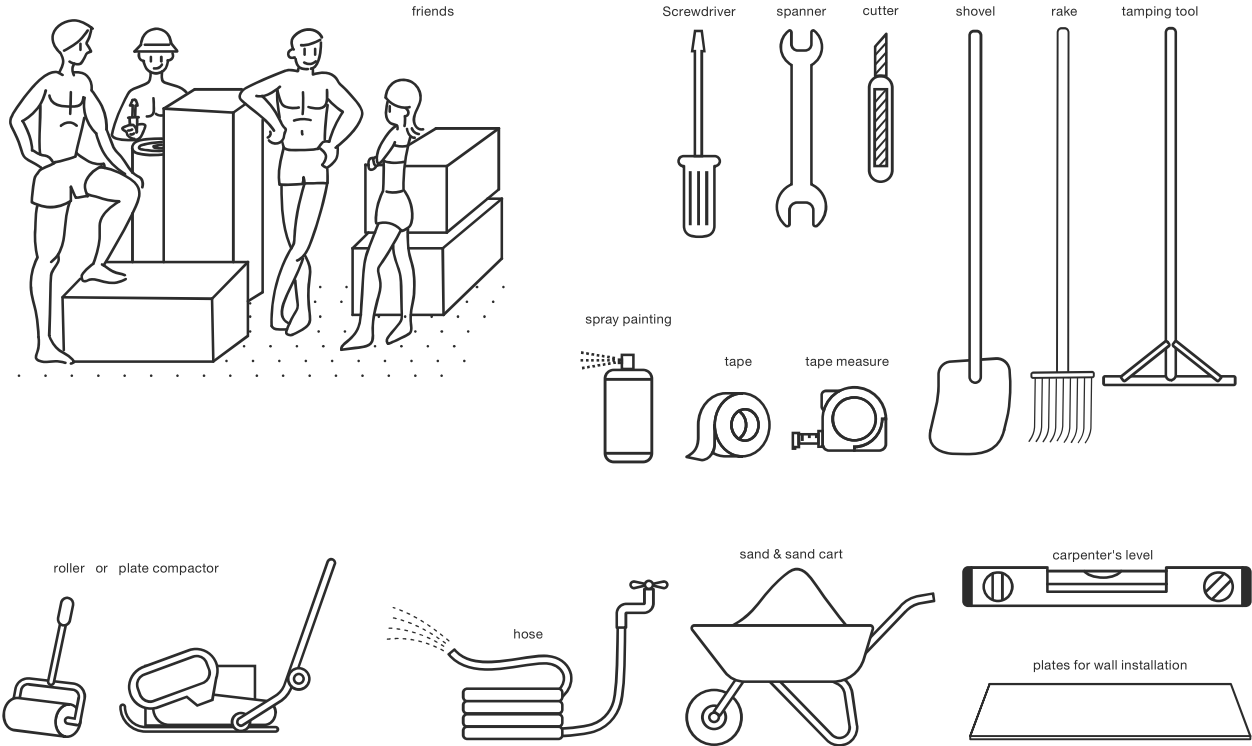
## PREMIUM model



# LOCATION



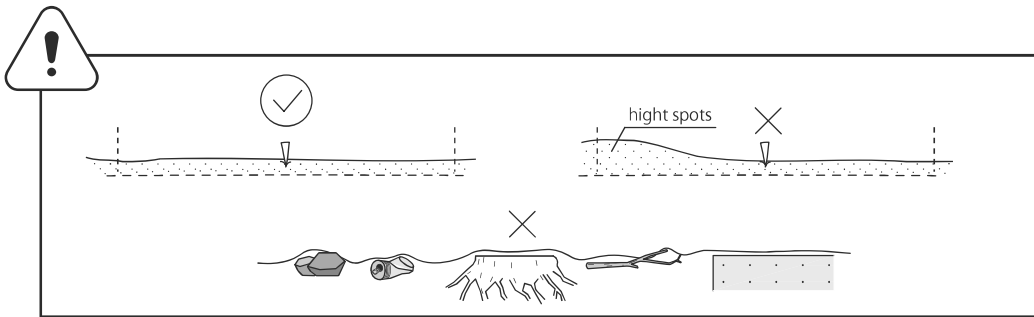
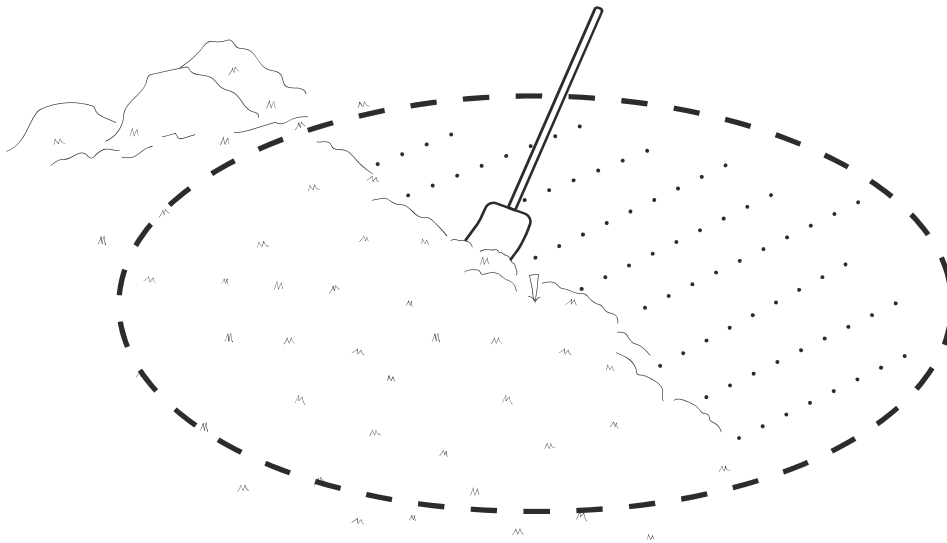
# TOOLS



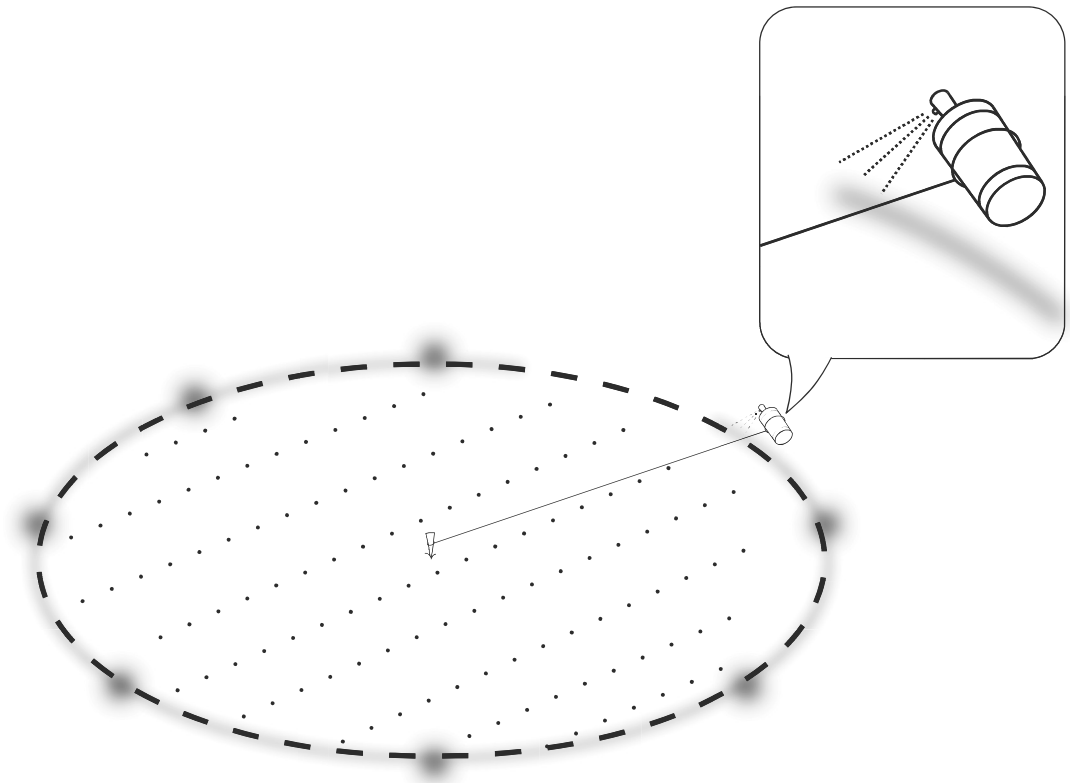
# SIZE

POOL SIZE	Diameter			Wall Length			Top Sheet Q'ty
	mm	ft	in.	mm	ft	in.	
12	3,611	11	10 2/8	11,346	37	2 5/8	10
15	4,572	15	0	14,363	47	1 4/8	10
18	5,486	18	0	17,236	56	6 5/8	12
21	6,401	21	0	20,109	65	11 5/8	14
24	7,315	24	0	22,981	75	4 6/8	16
27	8,230	27	0	25,854	84	9 7/8	18
30	9,144	30	0	28,727	94	3	20
33	10,058	33	0	31,599	103	83 1/8	22

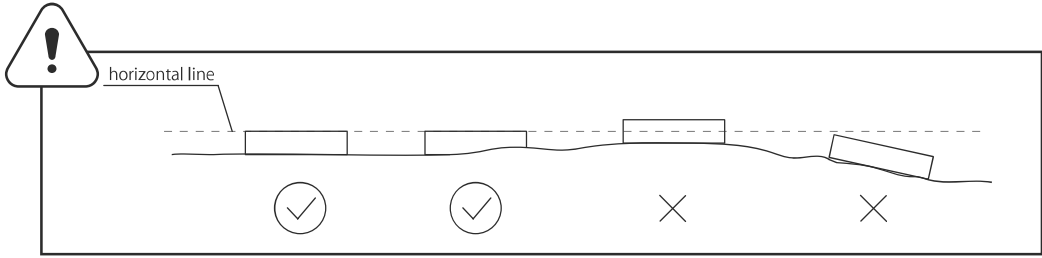
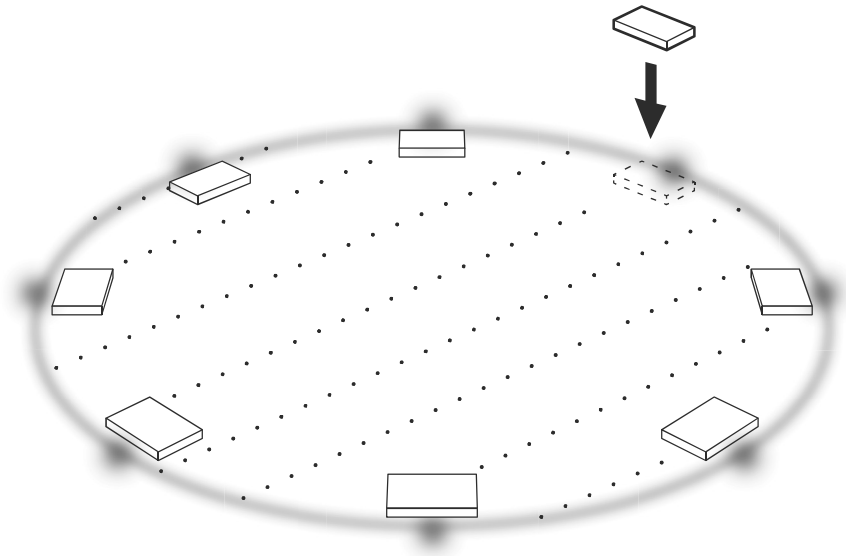
# 1



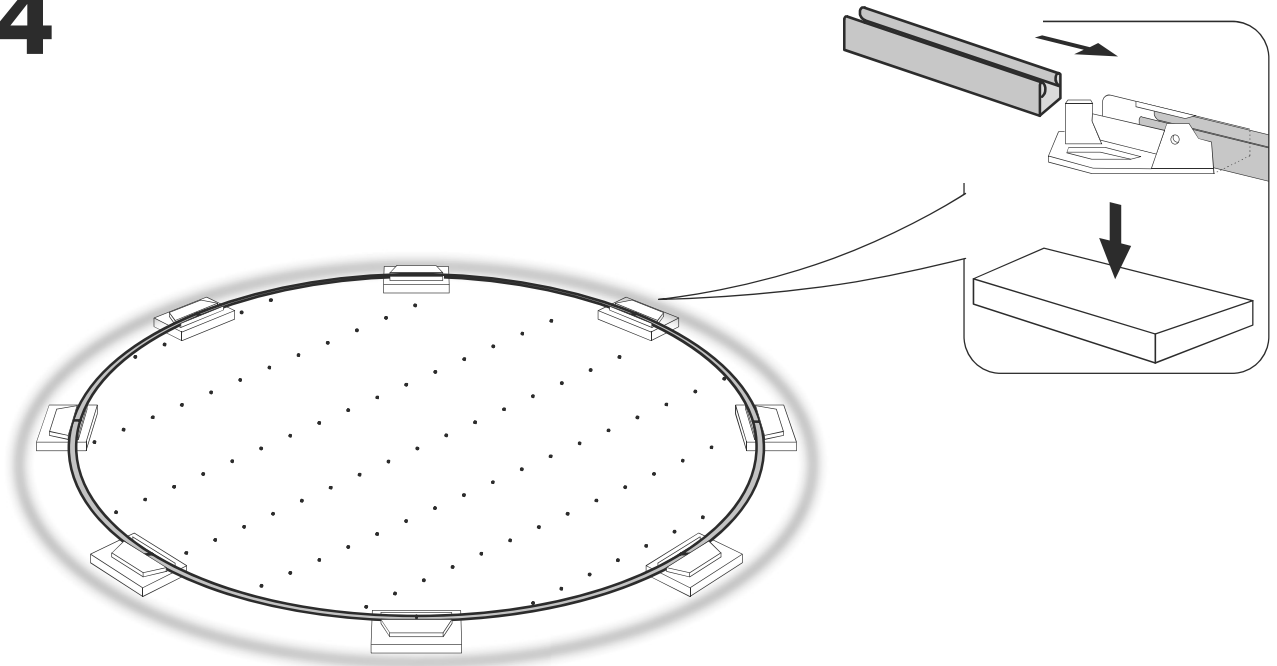
# 2



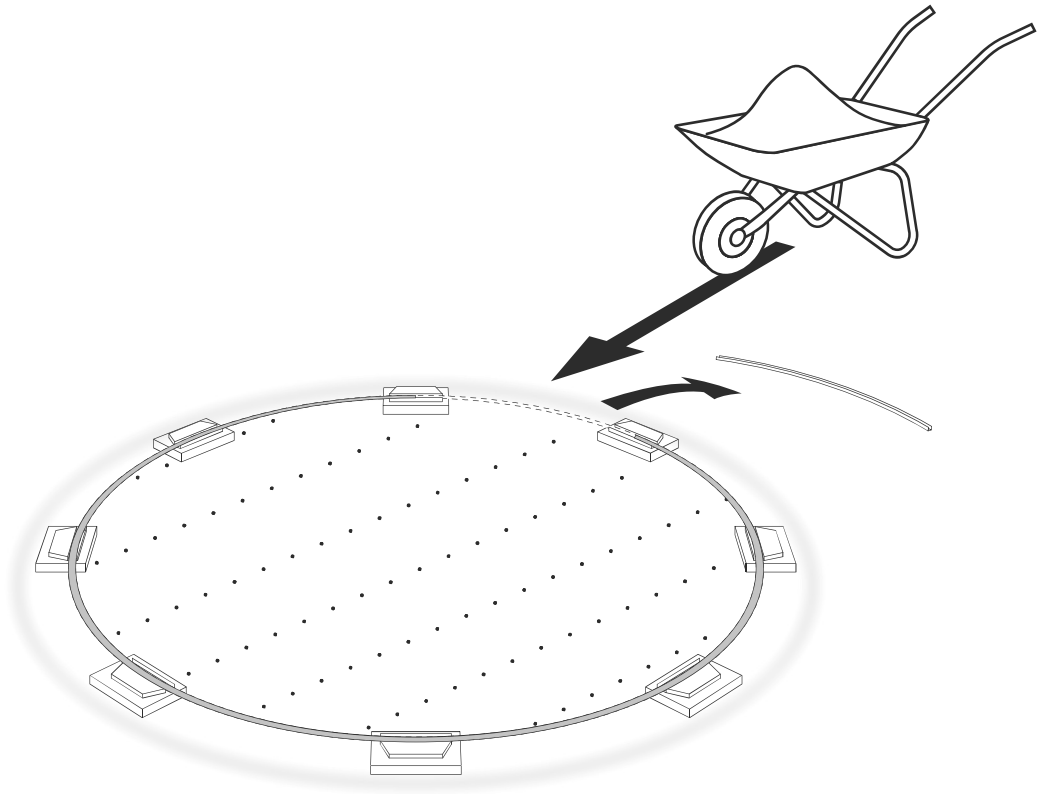
# 3



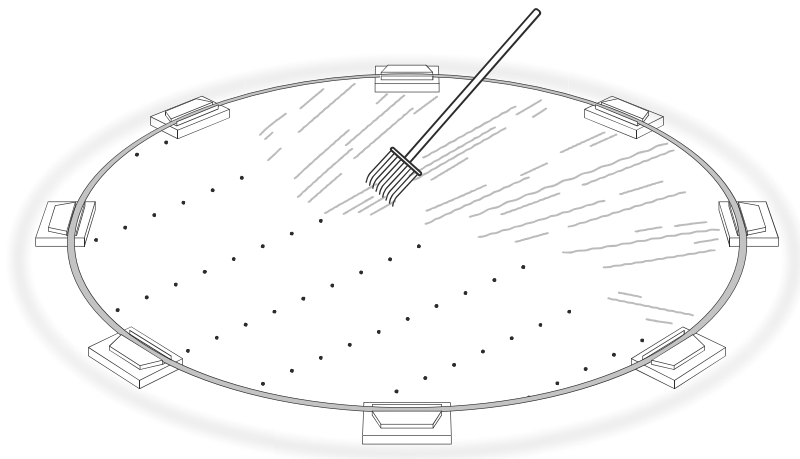
# 4



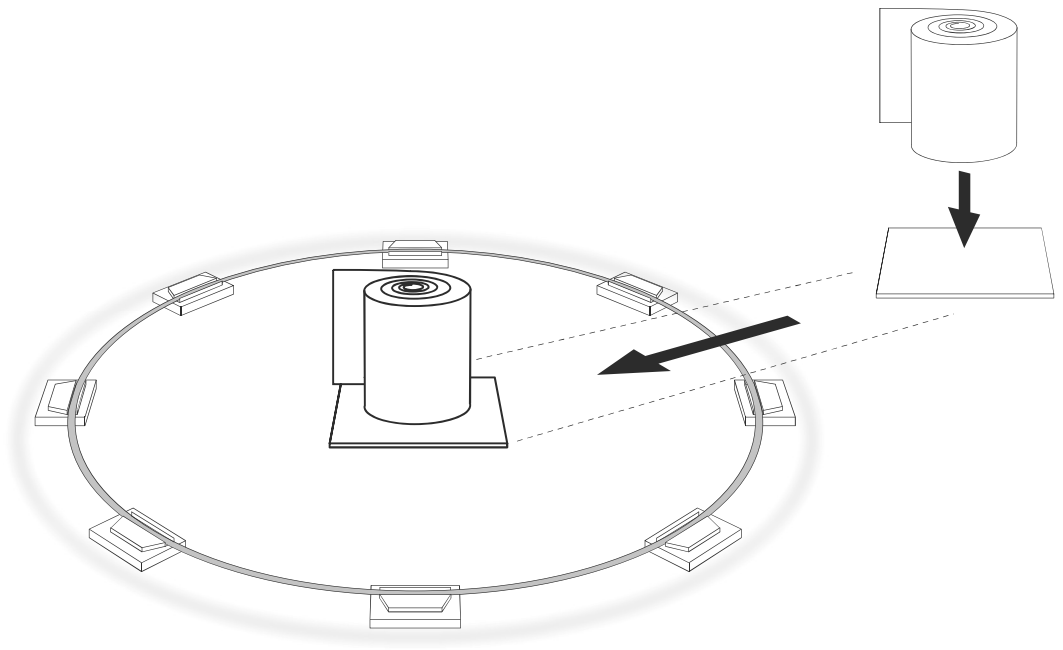
5



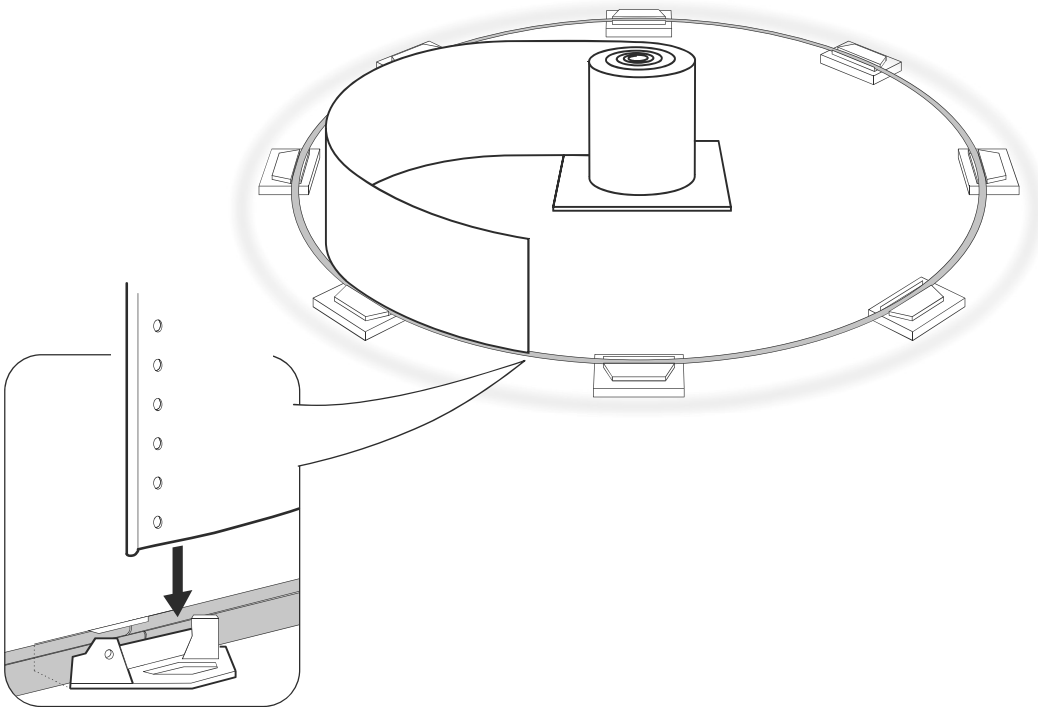
6



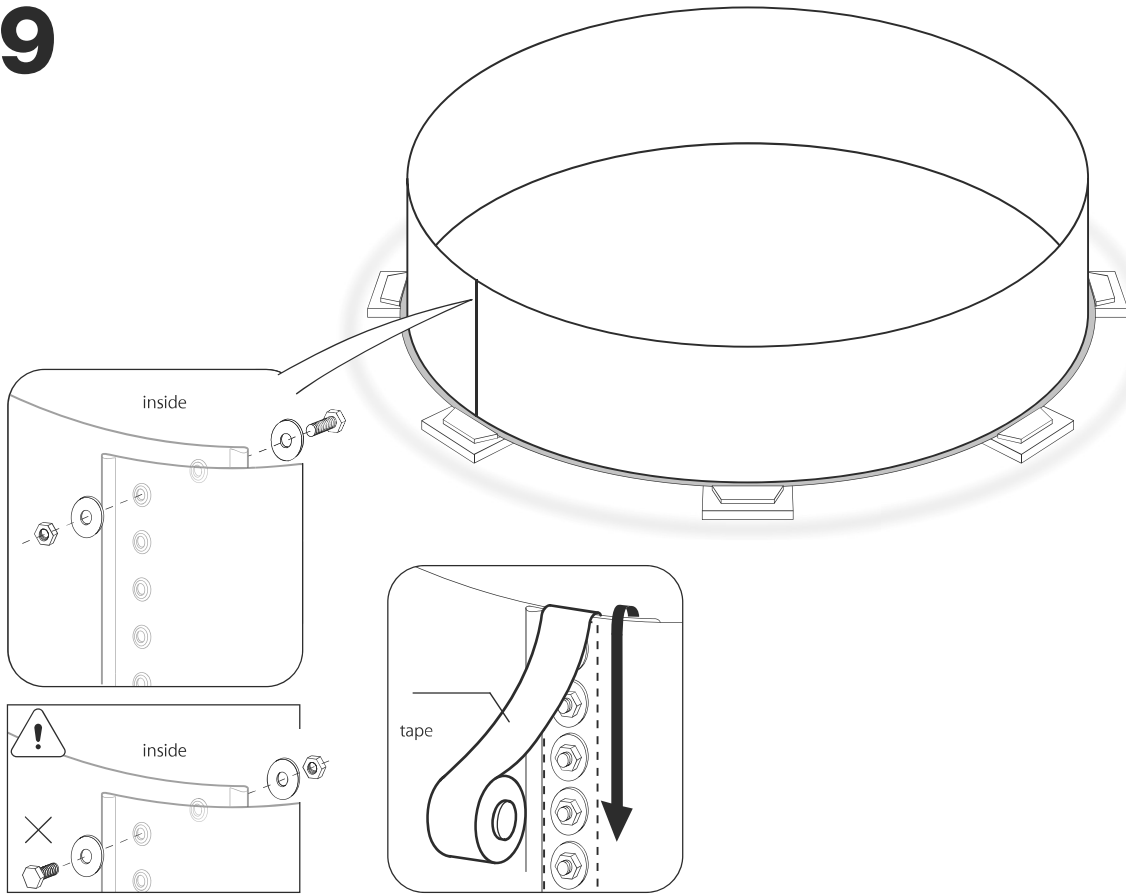
7



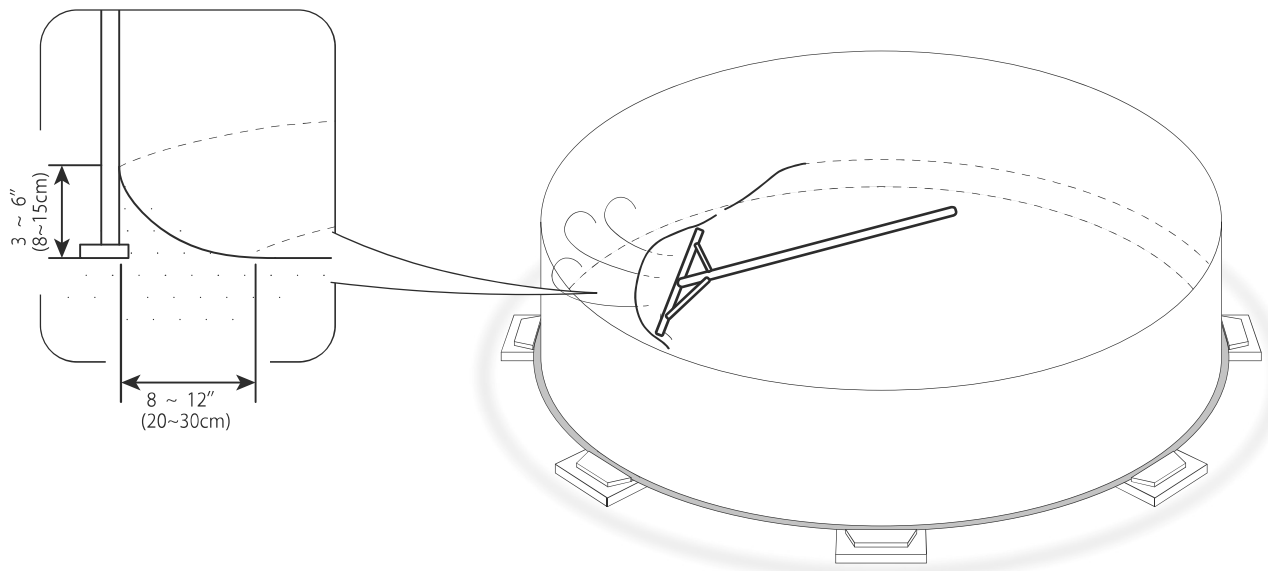
8



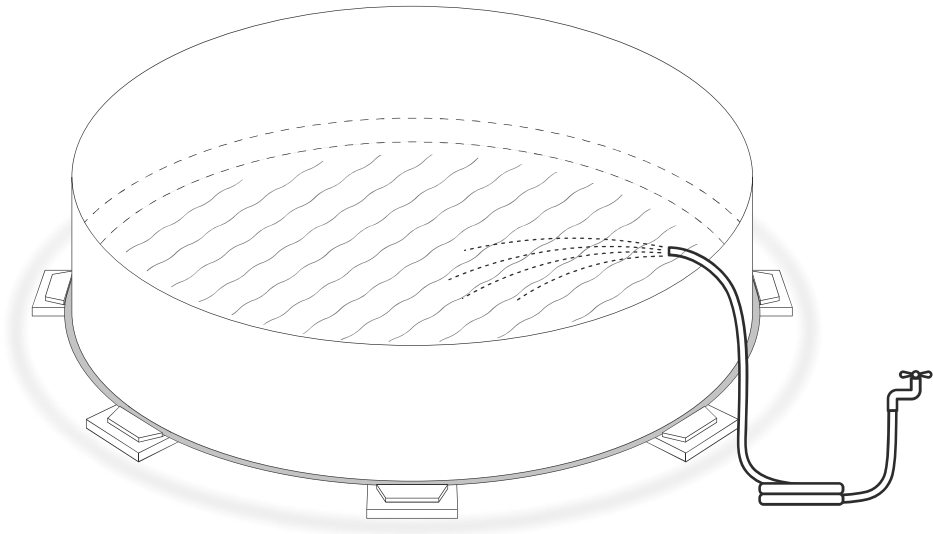
# 9



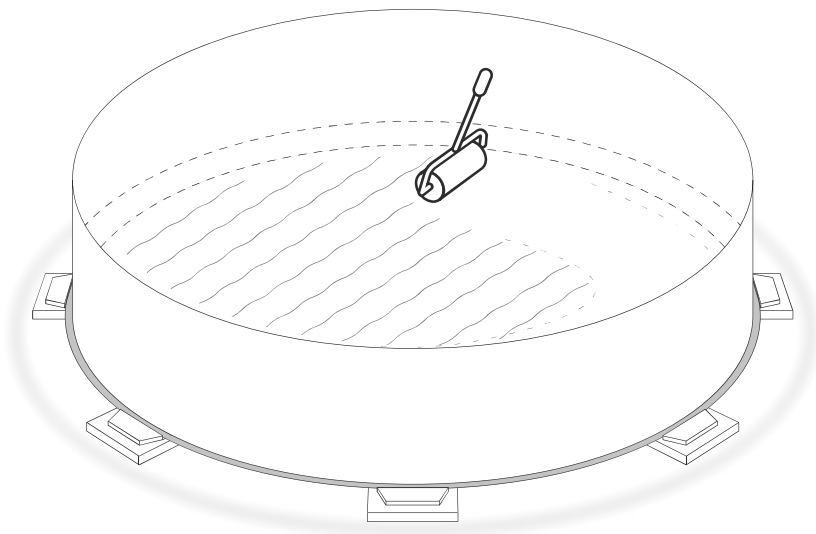
# 10



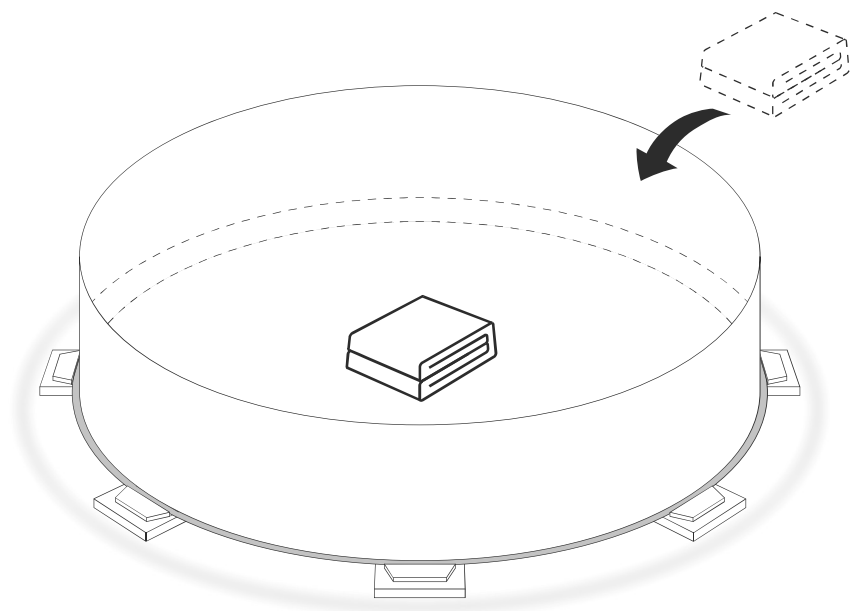
**11**



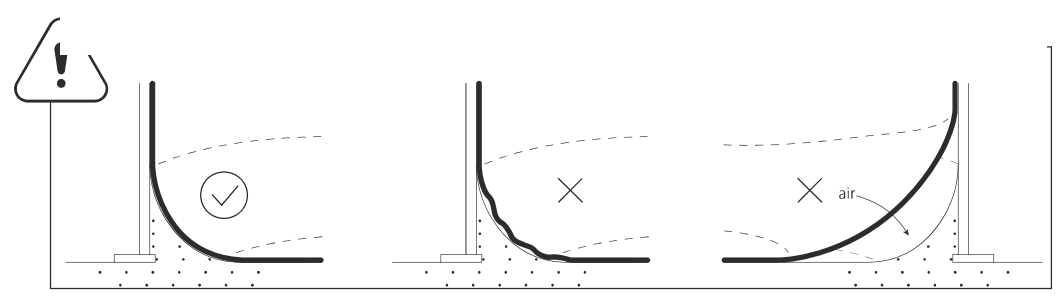
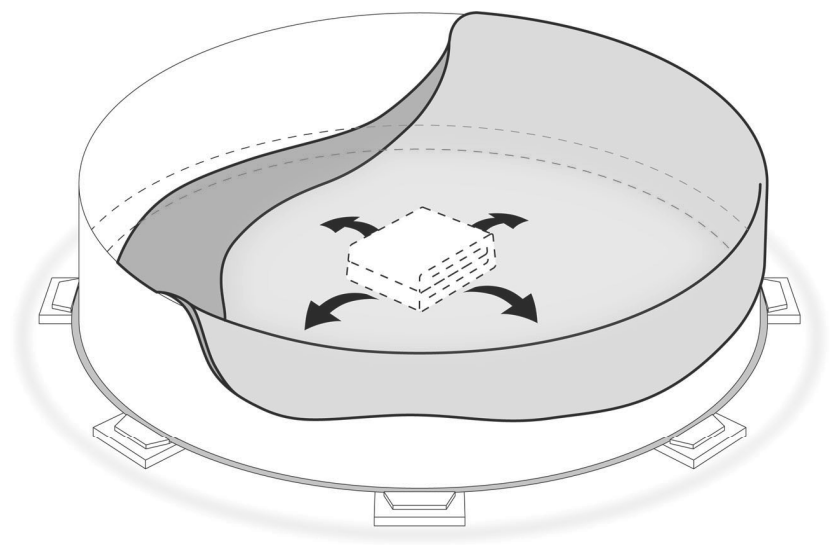
**12**



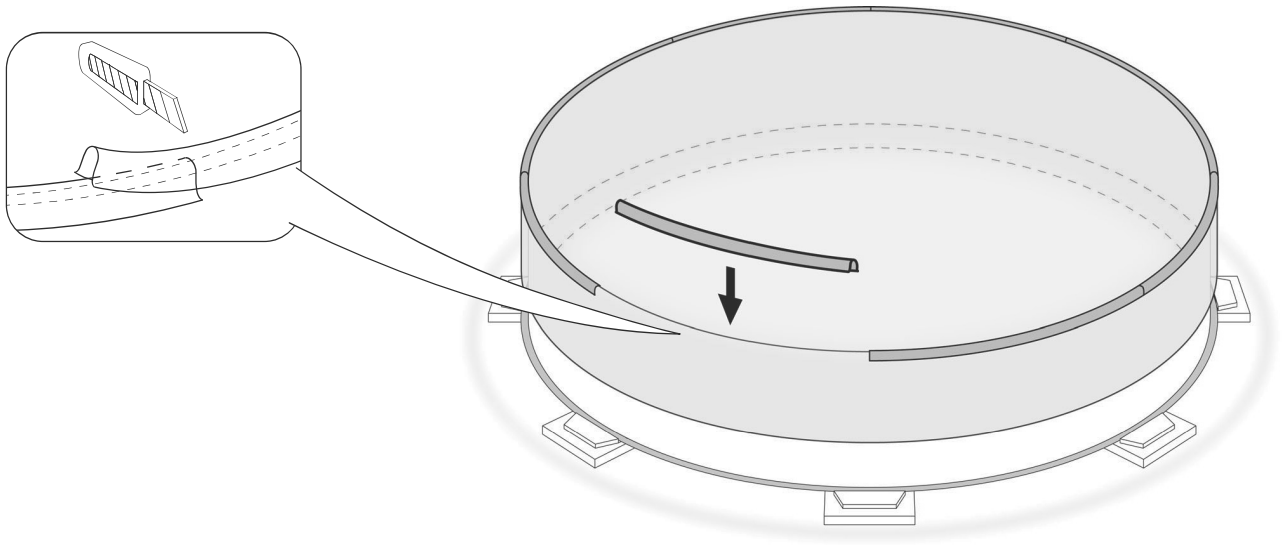
# 13



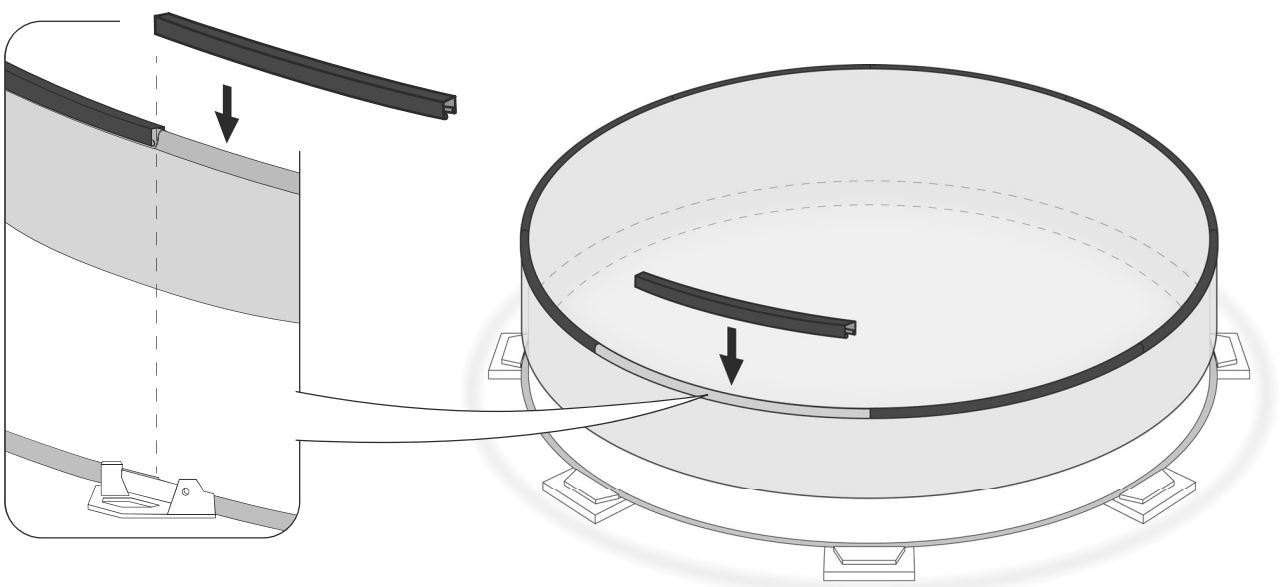
# 14



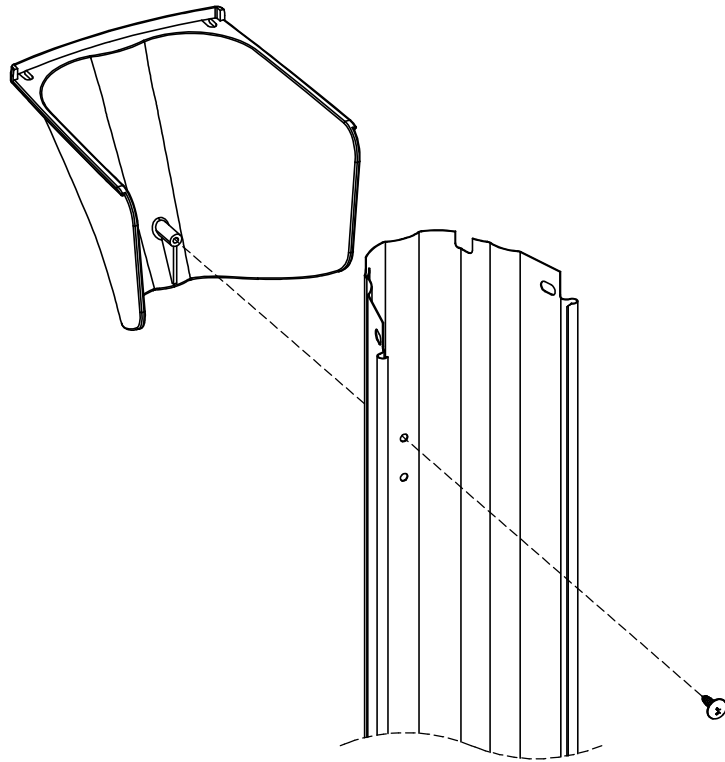
# 15



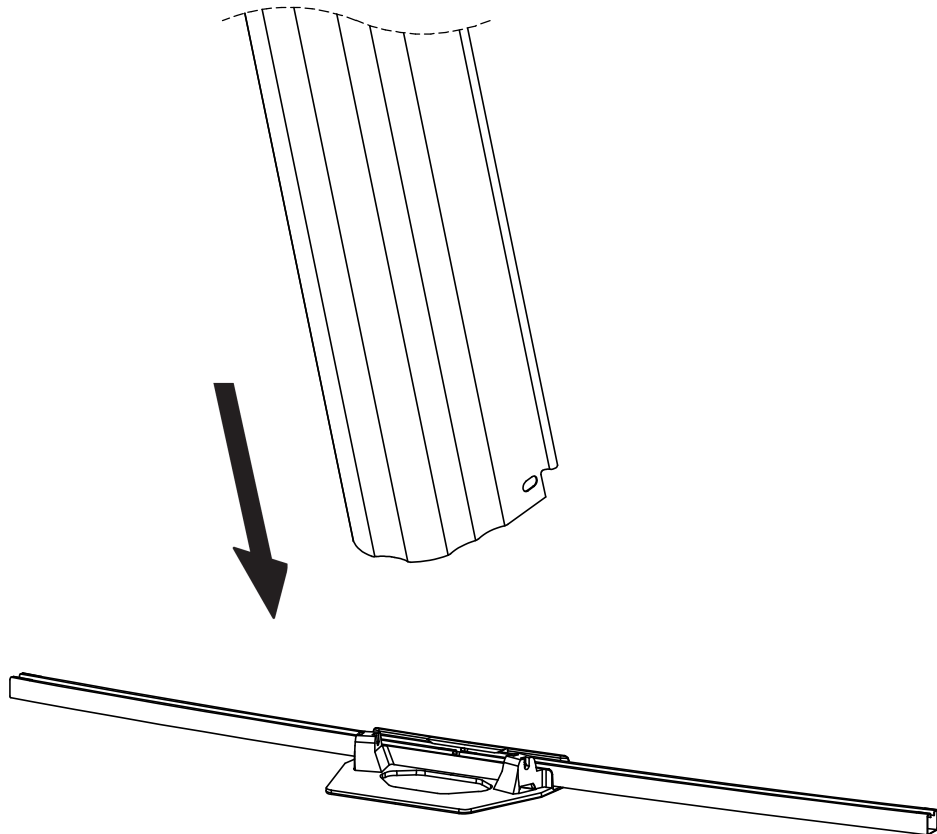
# 16



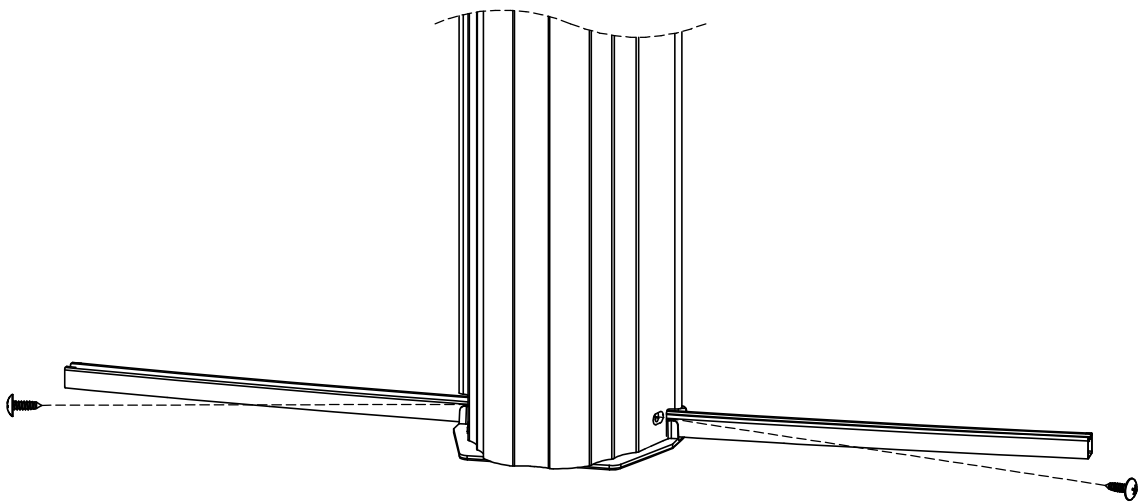
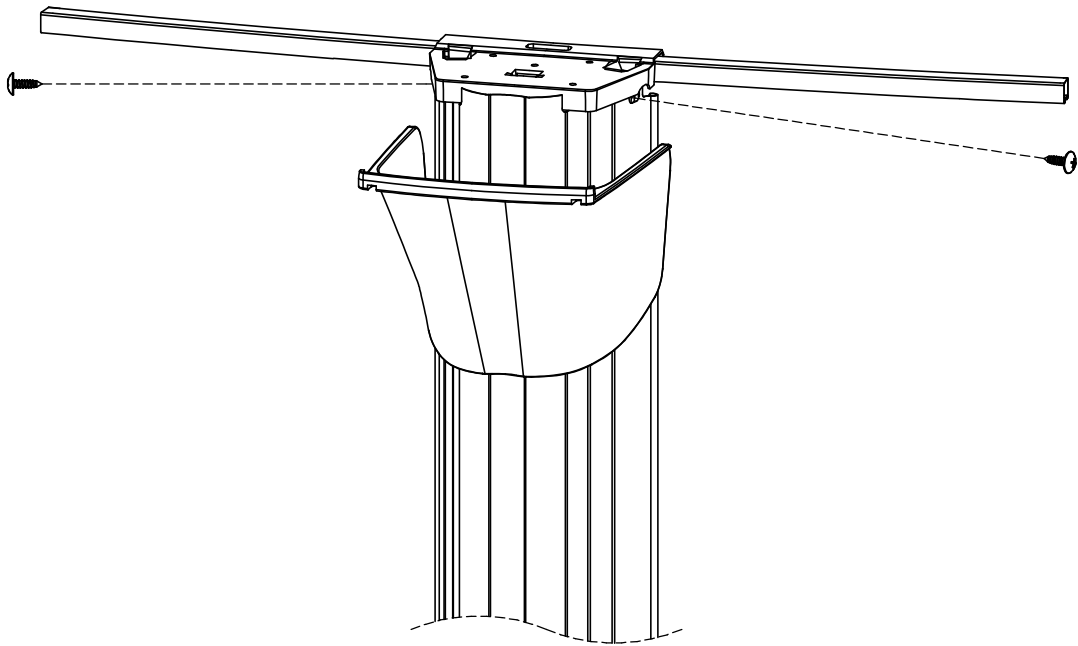
17



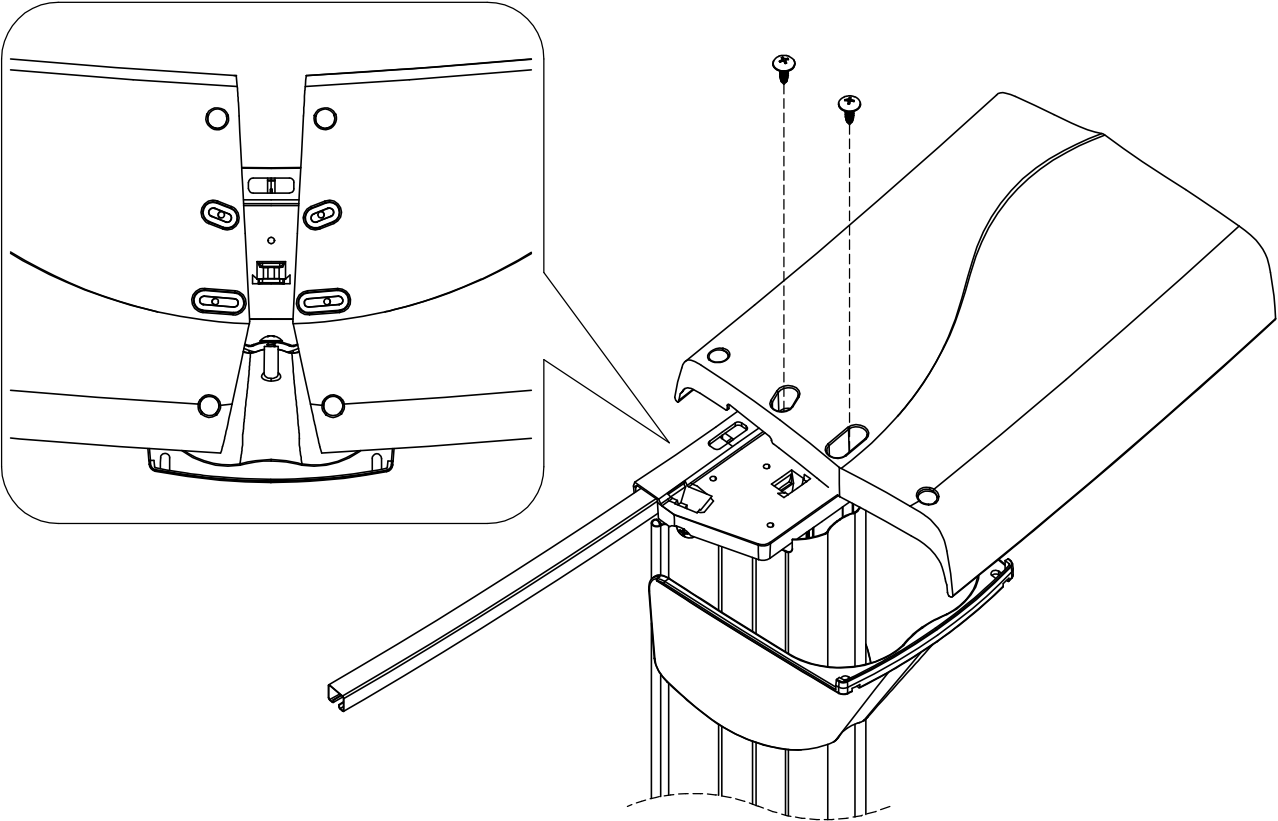
18



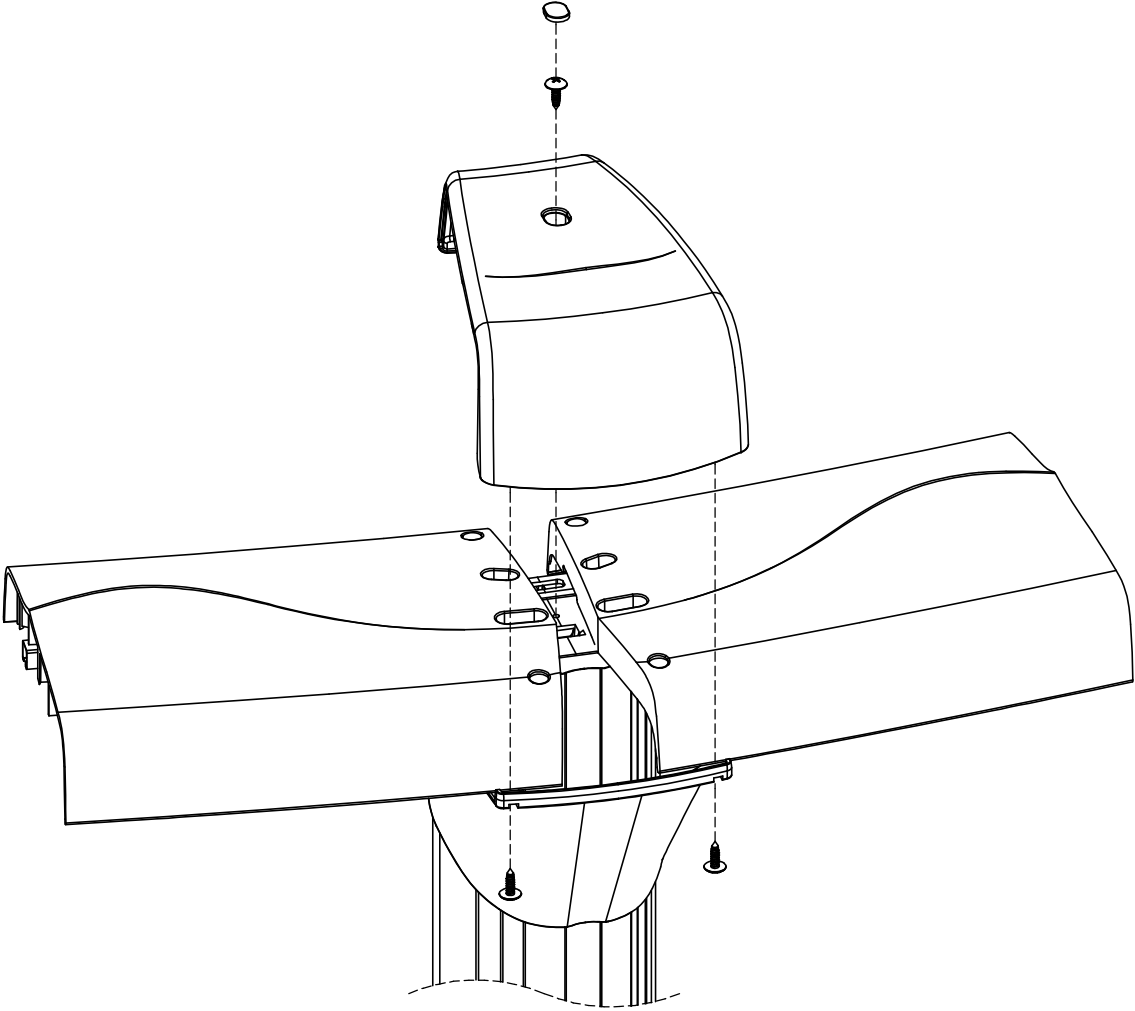
# 19



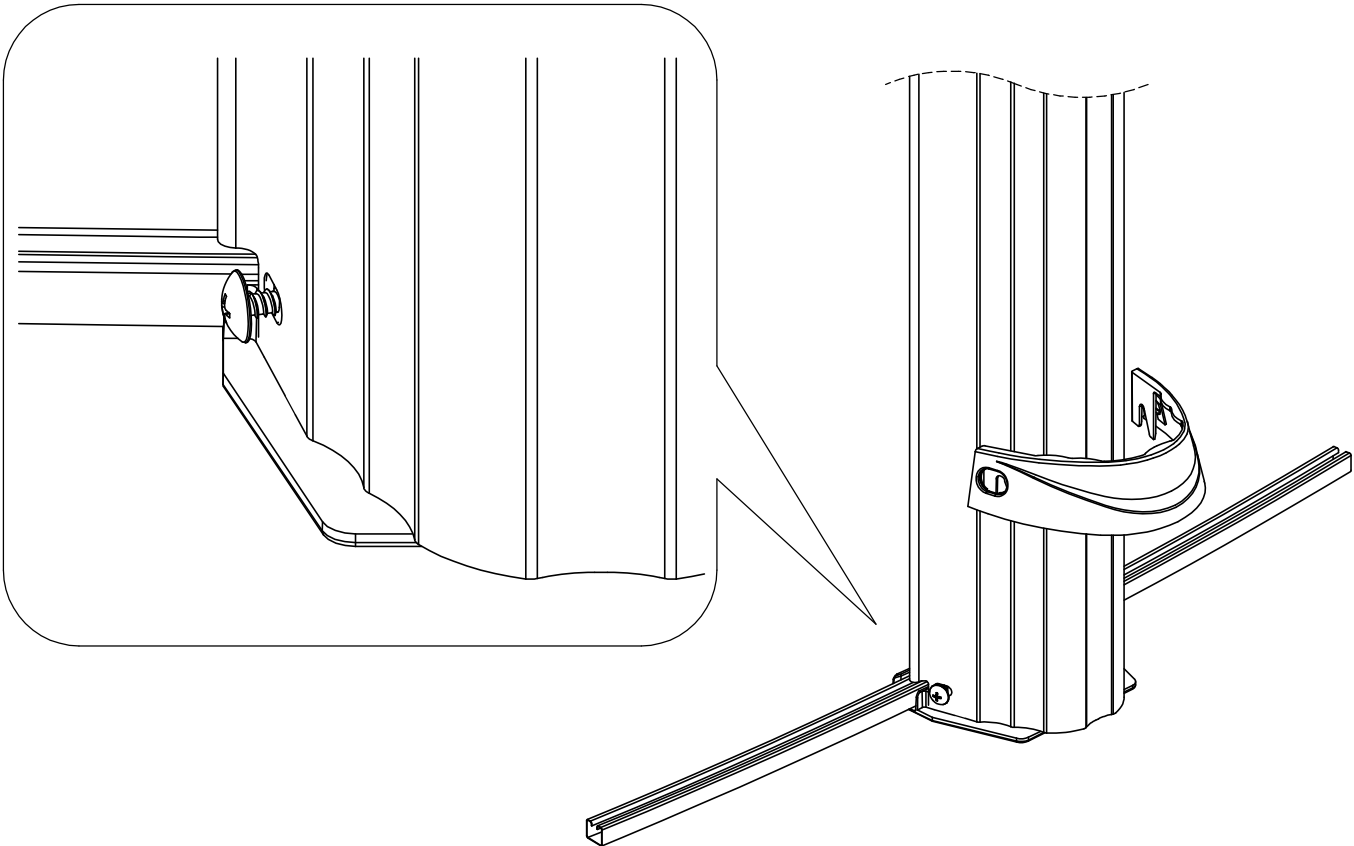
20



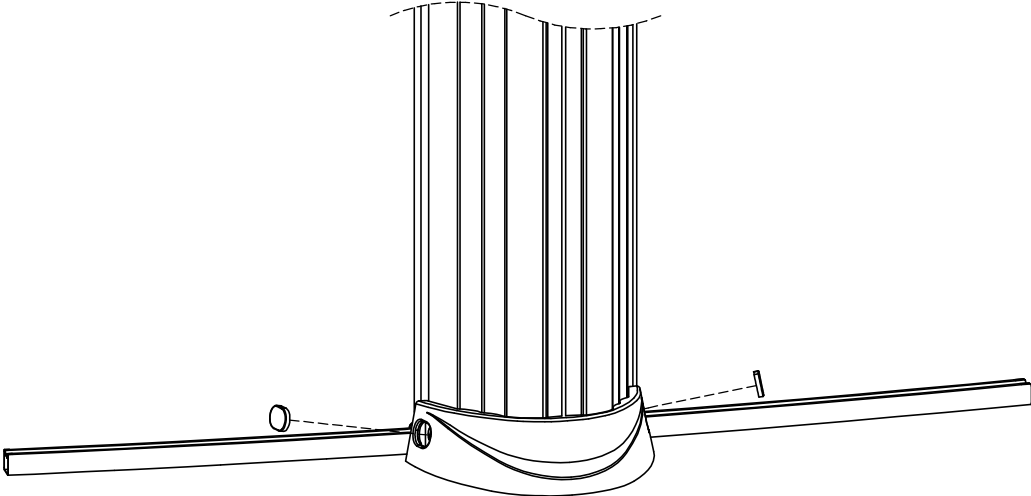
21



22



23



# Safety Rules



ASAHI