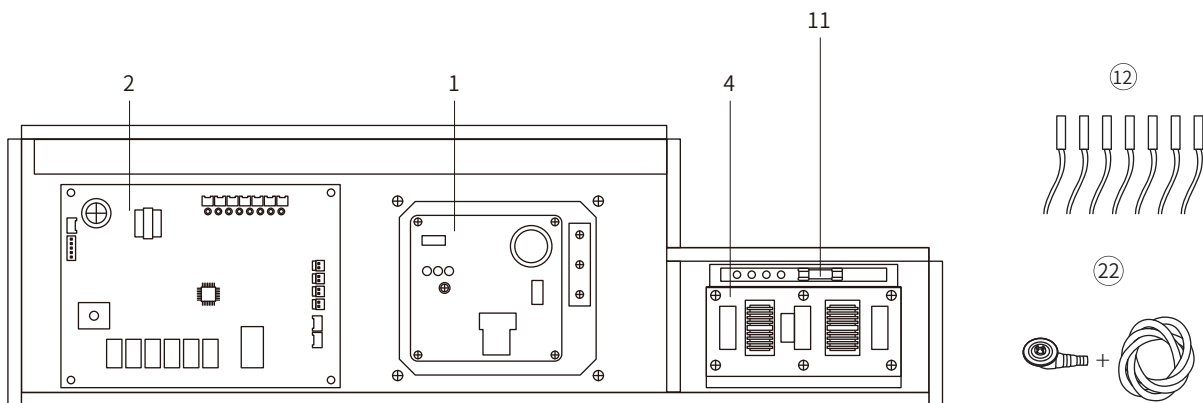
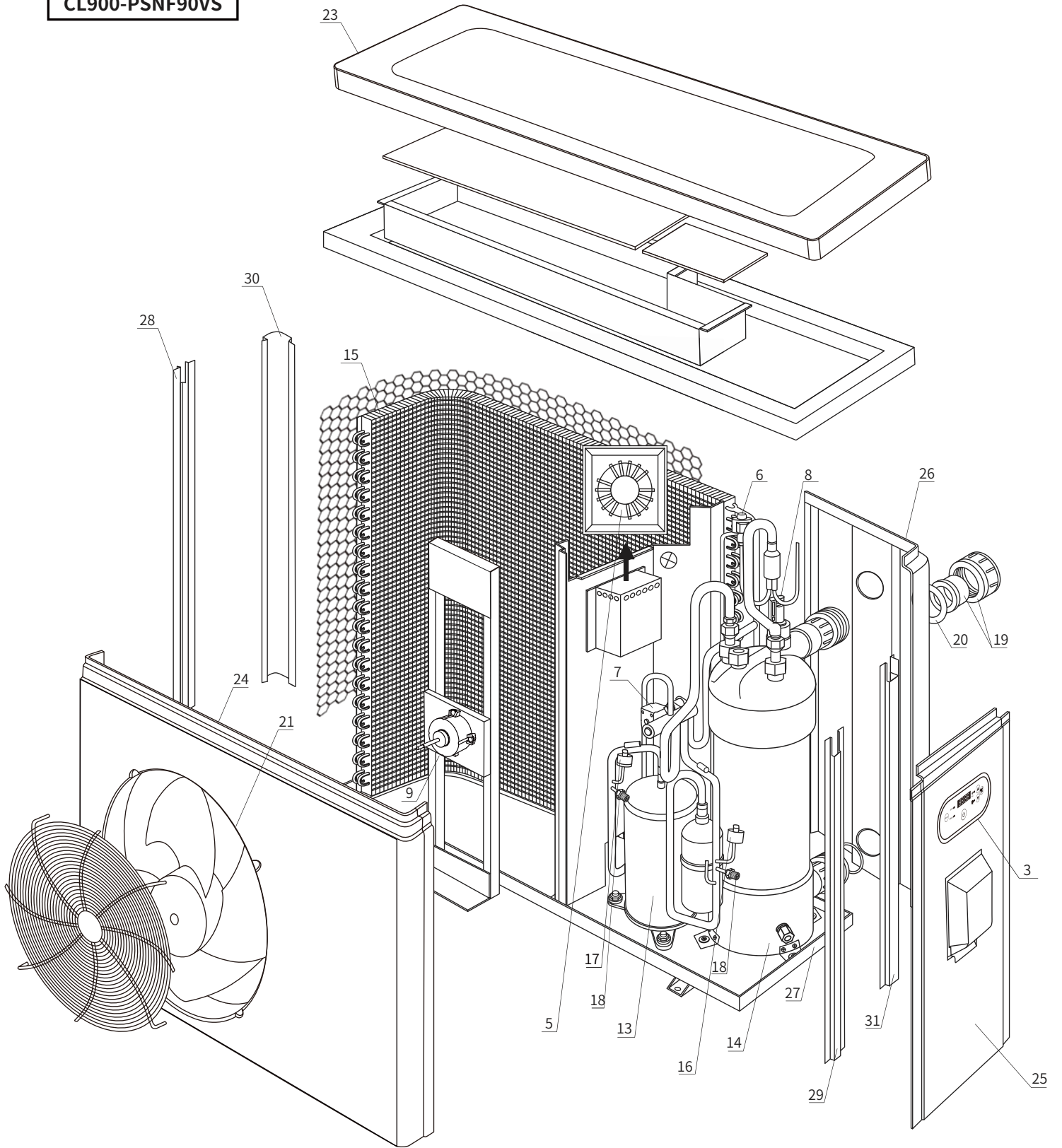


CL900-PSNF90VS



**CL900-PSNF90VS**

Position	Spare parts	Code
1	Inverter board	033091420400
2	PC board (Heat)	033090430400H900
3	Oval LED	034090330001
4	Power filter plate	033092370000
5	Reactor	041301110000
6	Electronic expansion valve	006121100002
7	4-way valve	006110170002
8	Water flow switch	040060620000
9	Fan motor	032051530000
10	Fan motor driver module	/
11	Fuse	/
12	Full set of sensors	Z35043000400
13	Compressor	031080060000
14	Titanium heat exchanger(Heat)	001031250008
15	Evaporator	Z01011190000
16	High pressure protection switch	040050630000
17	Low pressure protection switch	040050130000
18	High&low Pressure valve	006080500000
19	Water union	003990020000
20	Water union gasket	004980050003
21	Fan	007010080000
22	Drainage kit	Z03991700000
23	Top cover	003020290108
24	Front Panel	003020390208
25	Right Up Panel	003020290908
26	Back Panel	003020291208
27	Bottom board	002020554700
28	Front left pole	002020551100
29	Front right pole	002020430900
30	Back left pole	002020431000
31	Back right pole	002020431100