

DOLPHIN PREMIUM 2000 US

Item	Item Number	Description	Price
01		FILTERS S2 NET&CARTRIDGE- KIT	
01.10	9991479-ASSY	ULTRA-FINE FILTER, FRONT & REAR PANELS KIT	
01.11	9991662-ASSY	FILTER BASKET, COMB. PANELS, S2	
01.11.23	9991661-ASSY	FINE & ULTRA-FINE FILTER PANELS S2(4 PCS)	
02		OUTER CASING SFL 7547C-11C - KIT	
02.30	999525215-ASSY	FILTER COVER SFL 7547C-11C	
02.31	998313618	LID LATCH 7547C	
02.32	999525205-ASSY	DIY COVER SFL 7547C-11C	
02.33	999525225-ASSY	OUTER CASING SFL 7547C-11C ASSY	
02.34	9983422	LED LENS M2 F2/F4	
02.35	99952523-ASSY	JET SFL+ LEFT GRILL ASSY	
02.A	3379616-A	SCREW KA50X16 WN1412	
03		MOTOR UNIT, SFL - KIT	
03.50	99953067-EX	MOTOR UNIT, SFL EX	
03.50.03.A	3354020-A	SCREW KA40X20	
03.50.03.B	3379616-A	SCREW KA50X16 WN1412	
03.50.03.C	3101308-A	SCREW M3X8 DIN965A-A2 TUF	
03.50.52	99917351	WATER ADJUSTER TUBE M600 ASSY	
03.50.53	99917782-ASSY	BOTTOM JET ASSY -CLEAR	
03.50.54	9983356	PIN SERVO M2 iO	
03.50.55	9983363	SPACER FOR SERVO MOVEMENT	
03.50.56	5588902	HOLDER, IMPELLER MOTOR	
03.50.57	9995266	BLACK IMPELLER+SCREW DC	
03.50.58	9991890-ASSY	COVER FOR MU SFL+SERVO+CARD ASSY	
03.50.59	3861644	O-RING 164X4, N70	
03.50.60	9983406	PCB HOLDER S	
03.50.61	3862504	O-RING SEAL 25X3 I.M FOR AUTO	
03.50.62	5583327	O-RING SEAL 32X3 FOR AUTO	
03.50.63	5890051LF	CABLE MBU 2010	
03.50.64	9991211-ASSY	IMPELLER MOTOR S ASSY	
03.50.65	9983180	FRONT CLIPS FOR MBU S300	
03.50.66	4850023	Desiccant Bag 1/6 Unit 60x60	
03.50.67	99951558-ASSY	LED S300i ELECT. CARD ASSY	
03.50.68	9983166	CLIPS FOR MBU CABLE	
03.50.69	9991210-ASSY	DRIVE MOTOR S300 ASSY	
03.50.70	9983142	GEAR Z12, FOR DRIVE MOTOR	
03.50.71	3862474	O-RING 47X4MM	
03.50.72	9983140	CLIP FOR MBU	
03.50.73	9991736	BOX FOR MU S300i+LED ASSY	
03.50A	99953067-ASSY	MOTOR UNIT, S2 SFL ASSY	
03.51	99966003	MANIFOLD ASSEMBLY, TRANSPARENT	

DOLPHIN PREMIUM 2000 US

Item	Item Number	Description	Price
04		CHASSIS SFL S2000/S3000 - KIT	
04.04.B	3379440-A	SCREW KA50X12 A2 WN1412	
04.36	M96250111-ASSY	CHASSIS SFL 7547C	
04.37	3726284	REAR WEIGHT S	
04.40	99830244	RAPID DRAIN FLAP S2&M600	
04.41	9991733	FLOAT+HOUSING FOR S300i	
04.42	9983262	INLENT CHASSIS STRIP M600	
04.43	M96250102-ASSY	Side Panel SFL25 7547C	
04.44	9991731-ASSY	BYPASS ASSY	
04.45	M96200061	L BYPASS COVER S2 C.GREY 11C	
04.46	M96200071	R BYPASS COVER S2 C.GREY 11C	
05		DRIVE SYS SFL 7547C - KIT	
05.05.A	3379616-A	SCREW KA50X16 WN1412	
05.74	9995609-ASSY	ACTIVE BRUSH D.GRSFL 7547C KIT	
05.74.74.A	3379616-A	SCREW KA50X16 WN1412	
05.74.75	9983123	ACTIVE BRUSH GEAR S	
05.74.76	M96200012	L ACTIVE BRUSH HOLDER S2 7547C	
05.74.77	9983119	ACTIVE BRUSH ADAPTOR S R	
05.74.79	61300603	ACTIVE BRUSH PVC OM 2K	
05.74.80	9983113	ACTIVE BRUSH BUSHING S	
05.74.81	9983118	ACTIVE BRUSH ADAPTOR M2/M2i L	
05.74.82	M96200022	R ACTIVE BRUSH HOLDER S2 7547C	
05.83	9983114	WHEEL BUSHING, S1/S2, WHITE	
05.84	M96200031	WHEEL DISK S1/S2 GREY 11C	
05.85	9983410	FRONT WHEEL GREY GR130	
05.86	99955390-ASSY	WHEEL ASSY CB GREY 11C L600	
05.86.86.A	3379616-A	SCREW KA50X16 WN1412	
05.86.87	9983112	WHEEL BEARING	
05.86.87A	9991602-ASSY	BEARING, FOR BRUSH ASSY	
05.86.88	6130122	BRUSH WT TUBE PVC DIAG CB OM D.G	
05.86.89	9983120	WHEEL BEARING ADAPTOR M2/M2i	
05.86.90	9983115	BRUSH BUSHING 3	
05.86.92	6101611	BRUSH, WONDER BRUSH RING, C.B	
05.91	99831524	TRACK, S1/S2, C.GREY 11C	
06		PWS IOT SFL 120W 115V US - KIT	
06.100	58984402LF	USA SWITCHING PS CORD	
06.101	9991754	CABLE LOCKER FOR P.S ASSY	
06.102	9983204	CORK FOR DC IN PWS S300i	
06.103	99956085-ASSV11	POWER SUPPLY 120W 115V (WI-FI®)	
07	99958950-DIY	CABLE AND SWV DIY 15M DYN S2i	
07.110	9991271	RETROFIT FOR CABLE CON. 2015	

DOLPHIN PREMIUM 2000 US

Item	Item Number	Description	Price
07.110.140	1811404	CABLE CONNECTOR 16-18 AWG	
07.110.141	3861002	RK SEAL FOR CABLE	
07.110.142	9980025	GLAND WASHER 13MM	
07.110.143	9980797	NUT FOR MBU TERMINAL 2015	
07.110.144	9985028	PLASTIC WASHER 9.5MM X 2MM	
07.110.145	9985048	CABLE CONN.THREE PIN	
07.111	9983126	GROMET REF SMALL	
07.112	9995090	CABLE FLOAT ASSY	
07.113	99958811-DIY	CABLE SWV DYN 1.2M' 2015 LINE	
07.115	5000009	AMPHENOL PLUG	

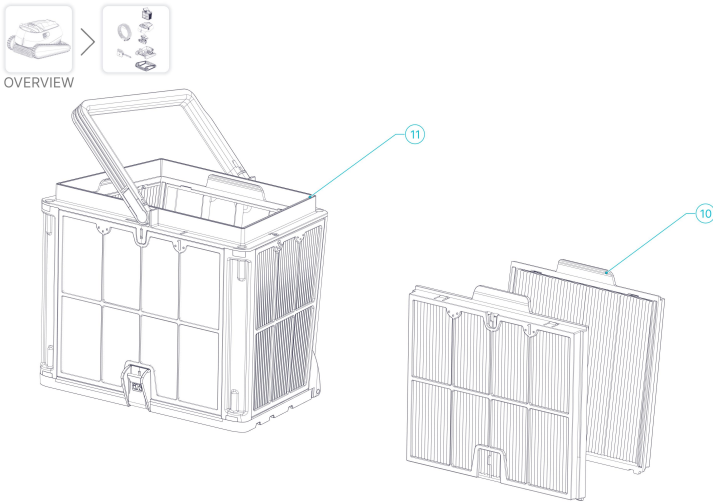
DOLPHIN PREMIUM 2000 US



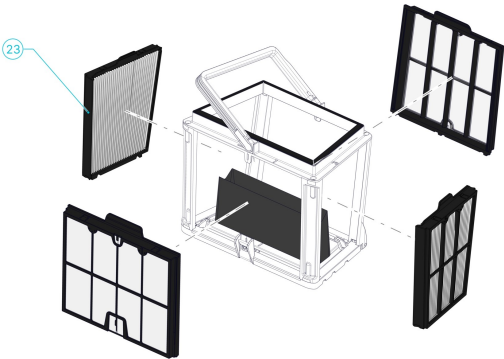
DOLPHIN PREMIUM 2000 US



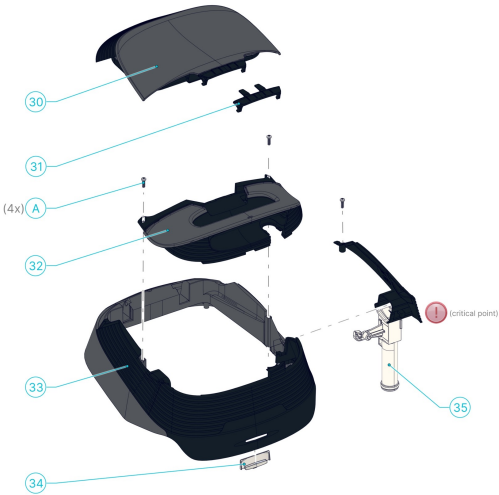
01 FILTERS S2 NET&CARTRIDGE- KIT



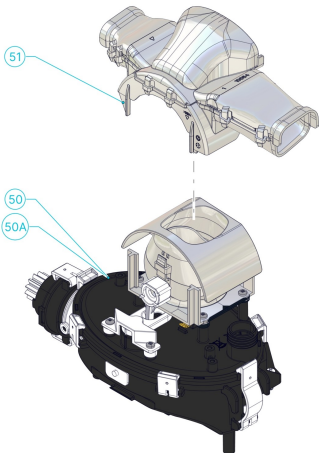
01.11 FILTER BASKET, COMB. PANELS, S2



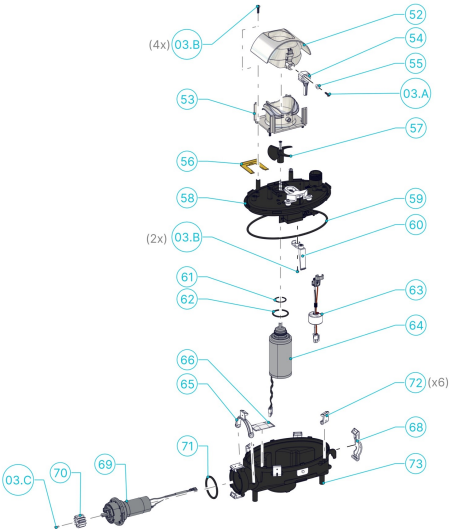
02 OUTER CASING SFL 7547C-11C - KIT



03 MOTOR UNIT, SFL - KIT

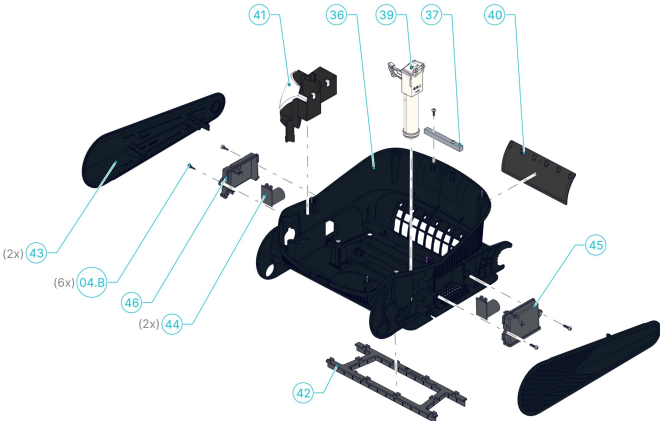


03.50 MOTOR UNIT, SFL EX

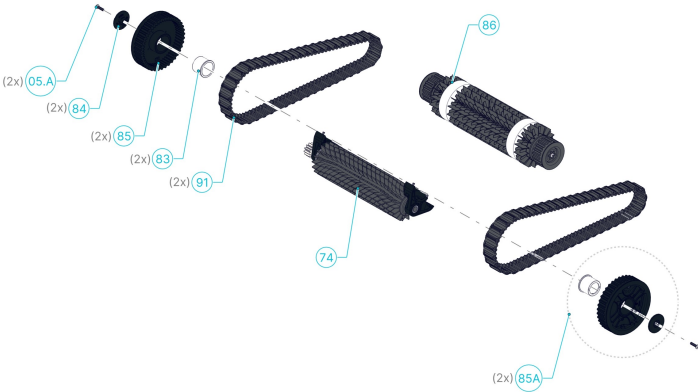


DOLPHIN PREMIUM 2000 US

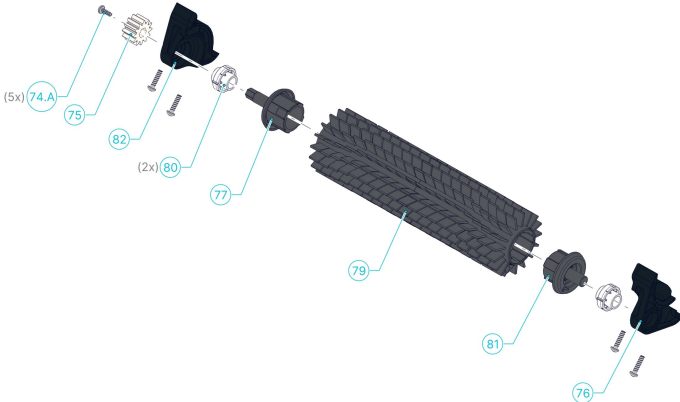
04 CHASSIS SFL S2000/S3000 - KIT



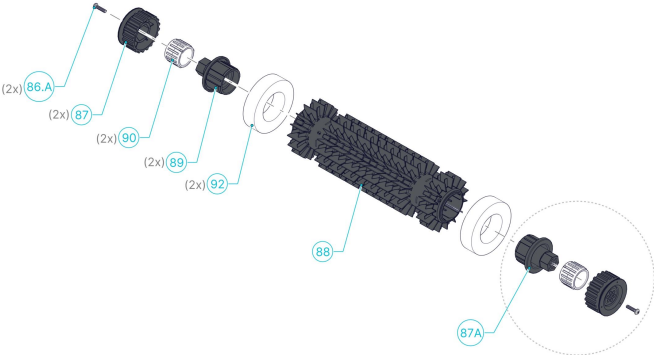
05 DRIVE SYS SFL 7547C - KIT



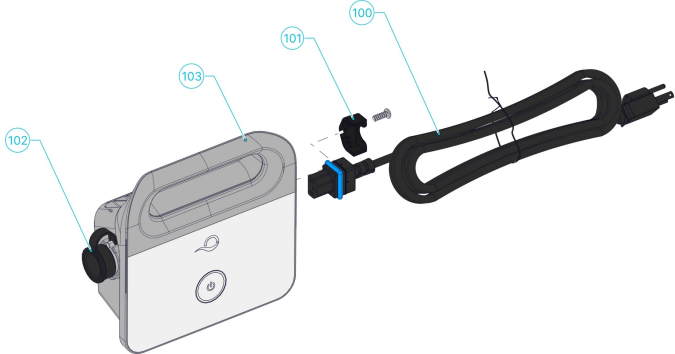
05.74 ACTIVE BRUSH D.GRSFL 7547C KIT



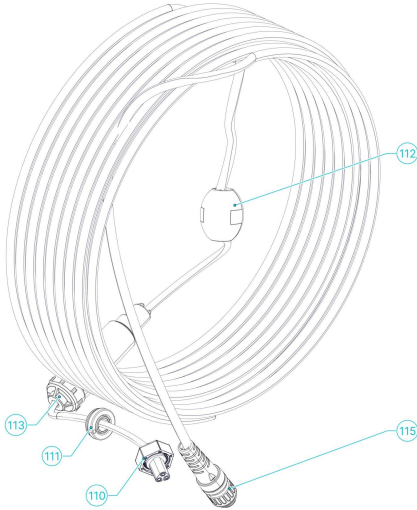
05.86 WHEEL ASSY CB GREY 11C L600



06 PWS IOT SFL 120W 115V US - KIT



07 CABLE AND SWV DIY 15M DYN S2i



07.110 RETROFIT FOR CABLE CON. 2015

