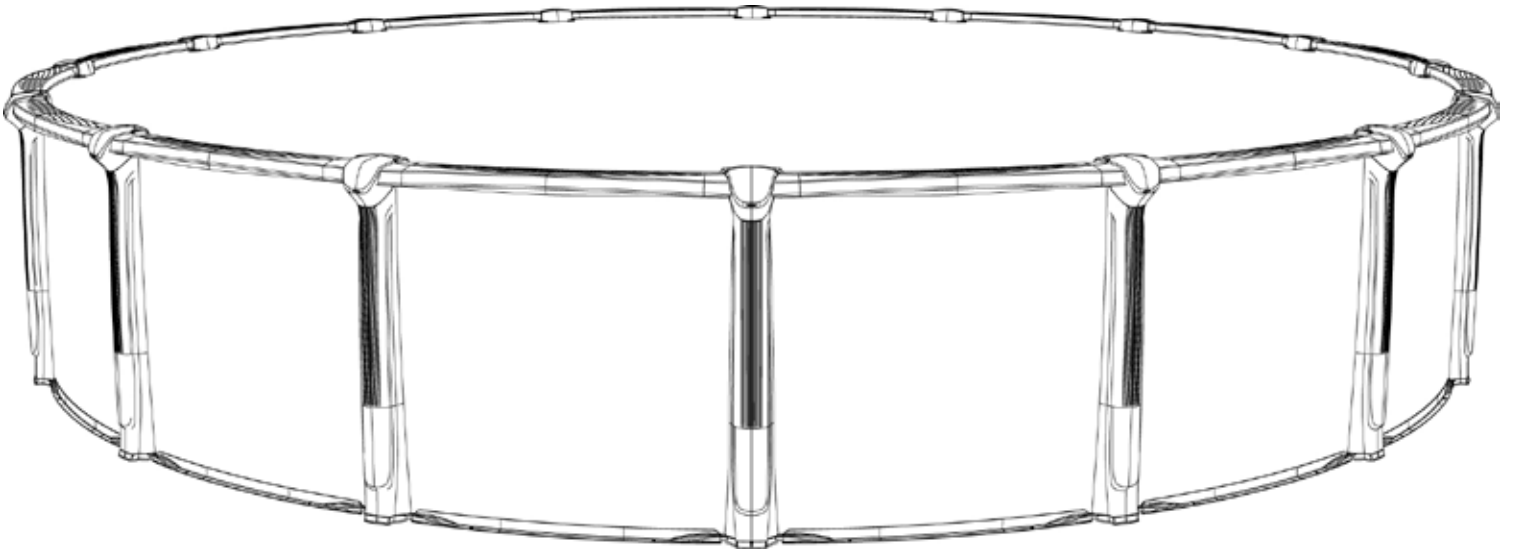


**BLUES
GEMINI
HIGHLANDER
IMPERIA
MILANO
PHANTOM
TAMARA | TRINITY | TUSCANY**



**ABOVE GROUND POOL
ROUND INSTALLATION MANUAL**

V35003

ABOVE GROUND POOL SAFETY

PLEASE READ BEFORE INSTALLATION



WARNING

FAILURE TO HEED THESE WARNINGS CAN RESULT IN PERMANENT INJURY, PARALYSIS FROM A BROKEN NECK, ELECTROCUTION OR DROWNING.

THIS POOL IS NOT DESIGNED FOR DIVING OR JUMPING!
DANGEROUS INJURY CAN RESULT. SHALLOW WATER!

Carefully read, understand and follow all information in this user manual before installing and using the swimming pool. These warnings, instructions and safety guidelines address some common risks of water recreation, but they cannot cover all risks and dangers in all cases. Always use caution, common sense and good judgment when enjoying any water activity. **RETAIN THIS INFORMATION FOR FUTURE USE.**

Your pool contains a large quantity of water, and is deep enough to present inherent dangers to life and health unless the following safety rules are strictly observed. First-time users run the highest risk of injury. Make sure everyone understands and encourage all users especially children to learn how to swim. Learn Basic Life Support (Cardiopulmonary Resuscitation-CPR) and refresh this knowledge regularly. Instruct all pool users, including children, what to do in case of an emergency. Keep a working phone and a list of emergency phone numbers near the pool. This can make a life-saving difference in the event of an emergency. To ensure your pool is used safely you **MUST** observe the following safety precautions:

1. NO JUMPING OR DIVING

The top rail of your pool is not a walkway and must not be used for jumping or diving. Do not permit jumping or diving into the pool from a deck or the top rail of the pool. Diving or jumping into the pool can result in serious injury.

2. NEVER USE THE POOL ALONE

Never permit the pool to be used unless it is attended by at least one person other than the bather. Someone should always be available to lend assistance in an emergency. Designate a competent adult to supervise the pool each time it is being used. Vigilant supervision of weak swimmers and non-swimmers by a competent adult is required at all times, remembering that children under five are at the highest risk of drowning.

3. NEVER LEAVE CHILDREN UNATTENDED

Never leave a child alone and unsupervised in or near the pool—not even for a second. There is no substitute for constant adult supervision.

4. NO ROUGH PLAY

Do not permit "roughhousing" in and around your pool. Surfaces can become slippery and hazardous when wet.

5. LIGHT THE POOL AT NIGHT

If the pool is used after dusk, adequate lighting must be provided. Illumination in the pool area must be sufficient to clearly judge pool depth and all features in and around the pool. For lighting recommendations, consult your local licensed electrical contractor

6. RESTRICT ACCESS TO THE POOL

Do not leave chairs or other furniture beside the pool that could be used by a child to climb up into the pool. Ladders must be removed whenever the pool is unattended. A fence with a lockable gate around the pool or yard is strongly recommended and may be required by law in some jurisdictions. Secure doors and windows, where applicable to prevent unauthorized access to the swimming pool. Remove all toys from the swimming pool and surrounding area when not in use to avoid attracting children to the pool. Barriers, pool covers, pool alarms or similar safety devices are helpful aids, but they are not substitutes for continuous adult supervision.

7. NO ALCOHOL OR DRUGS

Never drink alcoholic beverages, use any intoxicants or medication which could hinder your judgment and reflexes.

8. KEEP YOUR POOL CLEAN AND SANITARY

Your filter system will remove suspended particles from the water and the surface skimmer will remove insects, leaves and other debris from the water surface. Use the correct pool chemicals as directed to destroy harmful bacteria and prevent formation of algae. Remember, unsanitary water is a serious health hazard.

9. KEEP OFF TOP LEDGES

Do not walk on top ledges. They can be slippery and they are not a walkway.

10. POOL COVER SAFETY

The cover must have a tamperproof locking retainer cable that positions the cover around the pool wall and keeps it securely in place. Never allow anyone, especially small children on the cover. Asphyxiation or drowning could result. Be sure to remove pool cover completely from the water surface before entering the pool. When purchasing any pool cover, please consult a swimming pool professional.

11. ELECTRICAL HAZARD

Never touch or attempt to service electrical equipment, including the filter when your body and/or the ground is wet. Electrocution or permanent injury due to high voltage (120V AC) could result. The pool should be bonded in accordance with Section 680-26 of the National Electrical Code. For further assistance contact your dealer or a local licensed electrician. Do not use pool during electrical or rain storms.

12. SAFETY EQUIPMENT

Keep a safety rope 1/4" by 50" with a flotation buoy with an outside diameter of 15". Have accessible in a prominent area by your pool. Keep a pole not less than 16 feet (4,88m) long with a blunt or hook end available at poolside in case of emergencies. Weak swimmers and non-swimmers should wear personal protection equipment when using the pool.

13. POOL CHEMICALS

Store pool chemicals out of the reach of children. Do not place chlorine, chlorine tablets or sticks directly into skimmer, or winterize your pool with liquid chlorine. Damage to the skimmer, pool liner and filter will result. Failure to obey this instruction will void all component warranties. Always follow chemical manufacturer's instructions when storing, handling and dispensing pool chemicals.

14. CHECK FOR DAMAGE

Periodically check your pool and ladder components for damage and wear. Be sure all screws are in place. Replace all damaged or worn components and tighten all screws before you use the pool, deck or ladders. At first sign, remove rust and touch up immediately.

15. POOL PARTS

Never modify the pool or accessories, or remove or drill holes in the pool, deck or ladder components unless instructed. Your pool wall is made of thin metal, there is an inherent cut hazard with metal so use gloves during installation. Always use Original Equipment Manufactured parts for your replacement parts.

FOLLOW ALL SAFETY INSTRUCTIONS

Read and follow all safety instructions packaged with pool, ladder, deck or any other accessory. Additional pool safety publications can be obtained by contacting: The Association of Pool & Spa Professionals (www.apsp.org)



IMPORTANT NOTICE READ BEFORE INSTALLATION!

The safety stickers must be installed as per following instructions. Failure to properly install warning labels will void warranty. Failure to mount these safety labels may subject you to substantial liability in case of injury. These warnings are not to be removed under any circumstances! If they become discolored or fall off please request replacements which will be sent at no charge.

PLACE SIGN ON LINER ABOVE WATER LINE, OPPOSITE ENTRY TO POOL



PLACE SIGN ON WALL NEXT TO POOL ENTRY



REMEMBER TO WATCH CHILDREN



IMPORTANT INFORMATION ABOUT YOUR LINER

We do not make or supply liners for our pools.

Please contact your liner's manufacturer with questions or if instructions are not included with the liner.

Liner must be installed per the liner manufacturer's instructions.

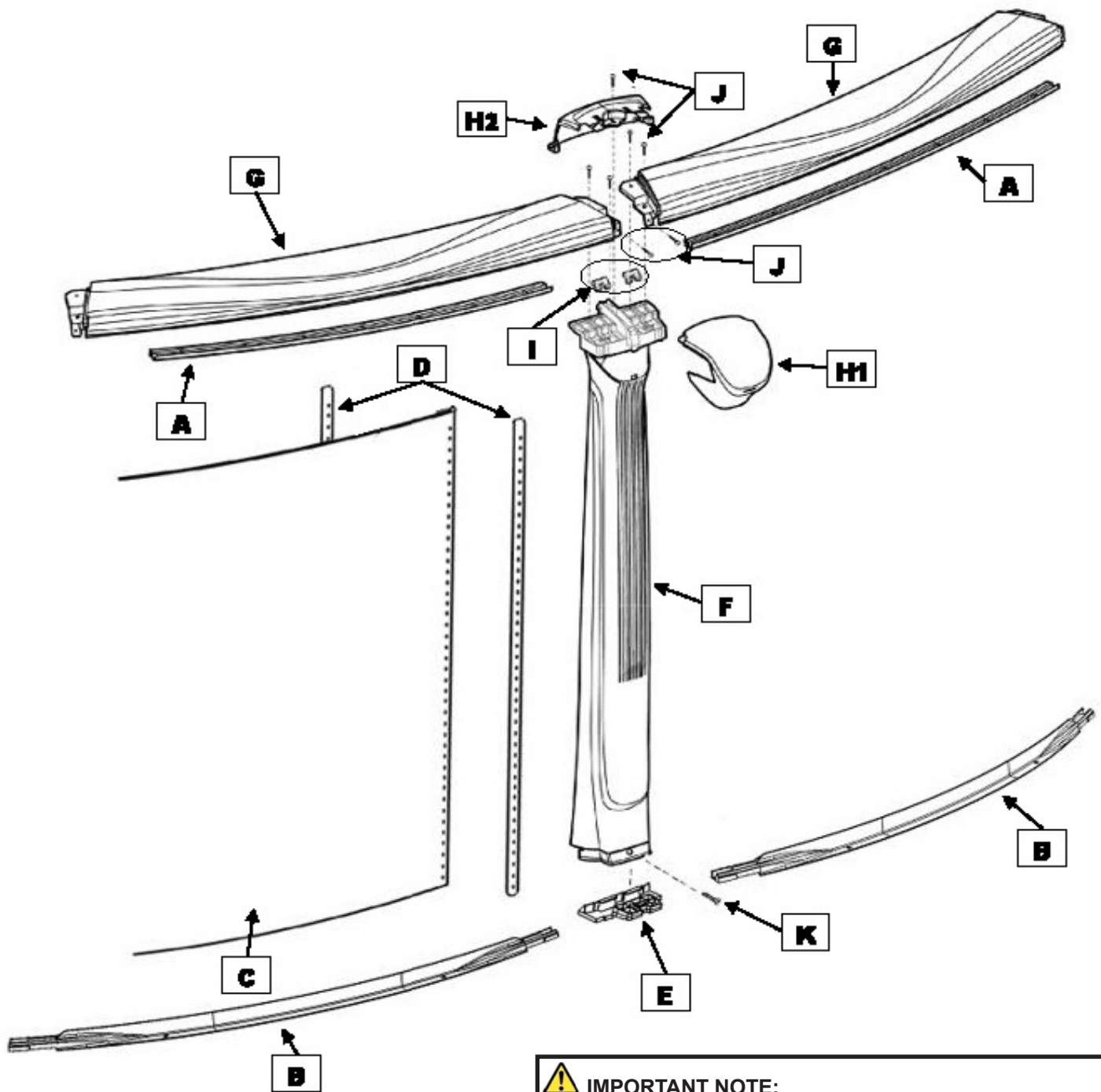
Incorrect liner installation may void the warranty.

Section
1

GENERAL INSTRUCTIONS - ROUND POOLS
GROUND PREPARATION

PARTS LISTING

Blues RRR
PBLU-52RRRRRRM10
Round



⚠ IMPORTANT NOTE:
Make sure you have all the parts necessary before you start installation.

**Section
1**

**GENERAL INSTRUCTIONS - ROUND POOLS
GROUND PREPARATION**

PARTS LISTING

Product Description:			Blues Round							Revised Sept 2019
Product Code:			PBLU-52RRRRRRM10							
			Quantity required for installation (by pool size)							
Index	Description	Part #	12	15	18	21	24	27	30	33
A	Stabilizer	1071507160000	8	10						
A	Stabilizer	1072407160000			12	14	16			
A	Stabilizer	1073007160000						18	20	22
B	Bottom Rail	1081507000000	8	10						
B	Bottom Rail	1082407000000			12	14	16			
B	Bottom Rail	1083007000000						18	20	22
C	Steel wall		1	1	1	1	1	1	1	1
D	Steel bar	11823	2	2	2	2	2	2	2	2
E	Bottom plate	11207100000	8	10	12	14	16	18	20	22
F	Upright	1020009Q52	8	10	12	14	16	18	20	22
G	Top ledge (regular)	10109360000		10	12	14	16	18	20	22
G	Top ledge (12')	10109360010	8							
H1	Ledge cover outer	1030009Q00	8	10	12	14	16	18	20	22
H2	Ledge cover inner	1030009Q10	8	10	12	14	16	18	20	22
I	Upright clip	6ADP10900A00	16	20	24	28	32	36	40	44
J	Stainless screw 12 x ¾"	V12X34	59	73	87	101	115	129	143	157
K	Stainless screw 12 x 1 ½"	2PPS112	8	10	12	14	16	18	20	22
*	Hardware bag	1051200380	1							
*	Hardware bag	1051500380		1						
*	Hardware bag	1051800380			1					
*	Hardware bag	1052100380				1				
*	Hardware bag	1052400380					1			
*	Hardware bag	1052700380						1		
*	Hardware bag	1053000380							1	
*	Hardware bag	1053300380								1
**	Hardware bag for wall	1050000054	1	1	1	1	1	1	1	1
	Truss phill 18-8 bolt 18-8 1/4-0x3/4	99-0023	31	31	31	31	31	31	31	31
	Flange nuts S/S 1/4-20 serrated	2FGS422	31	31	31	31	31	31	31	31
	Installation DVD	SACWBI36875	1	1	1	1	1	1	1	1

* In the hardware bag you will find parts: #2PPS112 - #V12x34

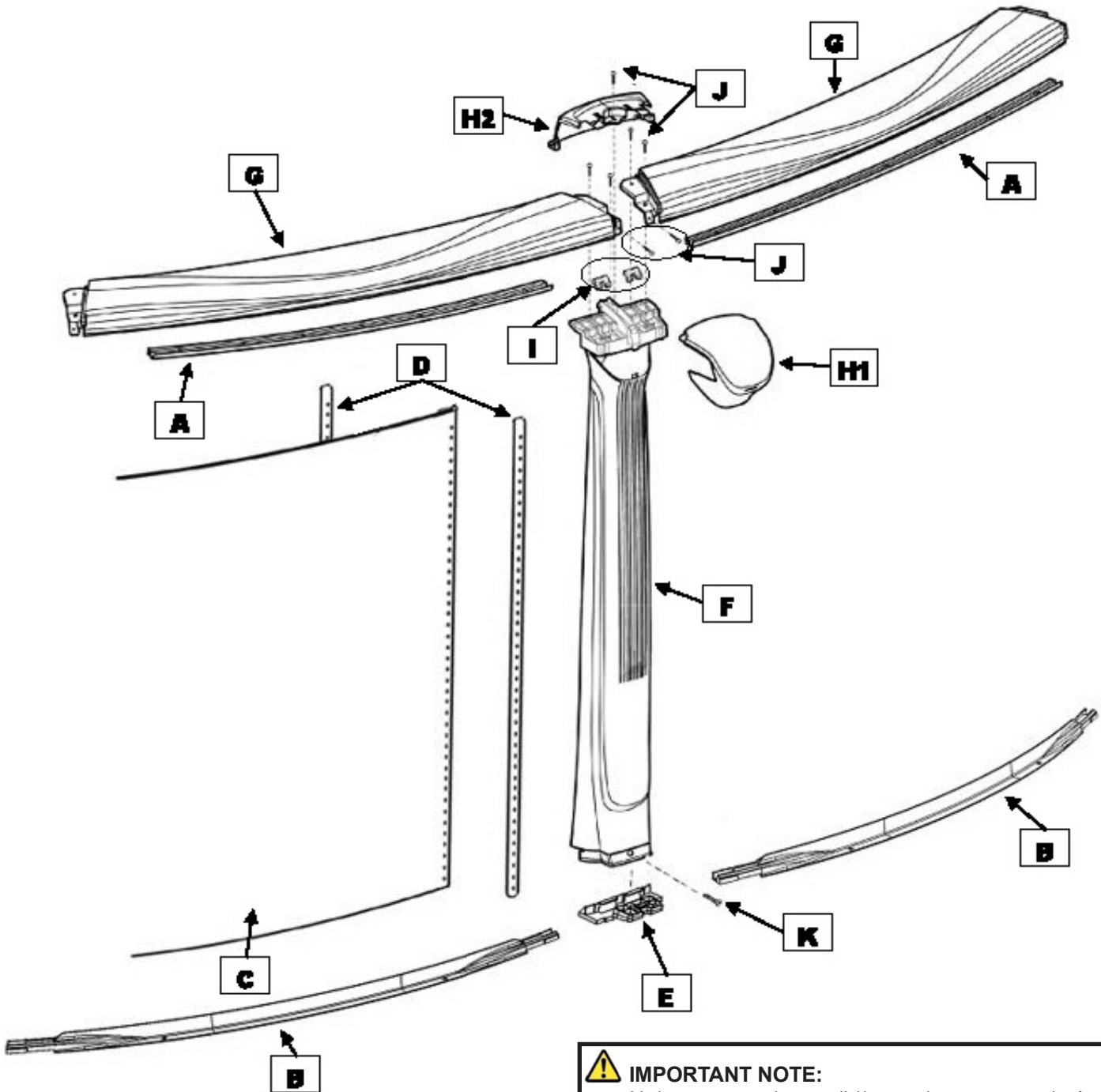
** In the hardware bag for wall you will find parts: #99-0023 - #2FGS422

Section
1

GENERAL INSTRUCTIONS - ROUND POOLS
GROUND PREPARATION

PARTS LISTING

Gemini RRR
PGMN-52RRRRRRM70
Round



⚠ IMPORTANT NOTE:
Make sure you have all the parts necessary before you start installation.

**Section
1**

**GENERAL INSTRUCTIONS - ROUND POOLS
GROUND PREPARATION**

PARTS LISTING

Product Description:		Gemini Round		Revised Sept 2019					
Product Code:		PGMN-52RRRRRRM70							
			Quantity required for installation (by pool size)						
Index #	Description	Part #	12	15	18	21	24	27	30
A	Stabilizer 12', 15'	1071507160000	8	10					
A	Stabilizer 18', 21', 24'	1072407160000			12	14	16		
A	Stabilizer 27', 30'	1073007160000						18	20
B	Bottom Rail 12', 15'	1081547000000	8	10					
B	Bottom Rail 18', 21', 24'	1082447000000			12	14	16		
B	Bottom Rail 27', 30'	1083047000000						18	20
C	Steel wall		1	1	1	1	1	1	1
D	Steel bar	11823	2	2	2	2	2	2	2
E	Bottom plate	11207100000	8	10	12	14	16	18	20
F	Upright 52	1020047Q52	8	10	12	14	16	18	20
G	Top ledge (12')	10147360010	8						
G	Top ledge (regular)	10147360000		10	12	14	16	18	20
H1	Ledge cover outer	1030047Q00	8	10	12	14	16	18	20
H2	Ledge cover inner	1030047Q10	8	10	12	14	16	18	20
I	Upright clip	6ADP10900A00	16	20	24	28	32	36	40
J	Stainless screw 12 x 3/4"	V12X34	59	73	87	101	115	129	143
K	Stainless screw 12 x 1 1/2"	2PPS112	8	10	12	14	16	18	20
*	Hardware bag	1051200380	1						
*	Hardware bag	1051500380		1					
*	Hardware bag	1051800380			1				
*	Hardware bag	1052100380				1			
*	Hardware bag	1052400380					1		
*	Hardware bag	1052700380						1	
*	Hardware bag	1053000380							1
**	Hardware bag for wall	1050000054	1	1	1	1	1	1	1
	Truss phill 18-8 bolt 18-8 1/4-0x3/4	99-0023	31	31	31	31	31	31	31
	Flange nuts S/S 1/4-20 serrated	2FGS422	31	31	31	31	31	31	31
	Installation DVD	SACWBI36875	1	1	1	1	1	1	1

* In the hardware bag you will find parts: #2PPS112 - #V12x34

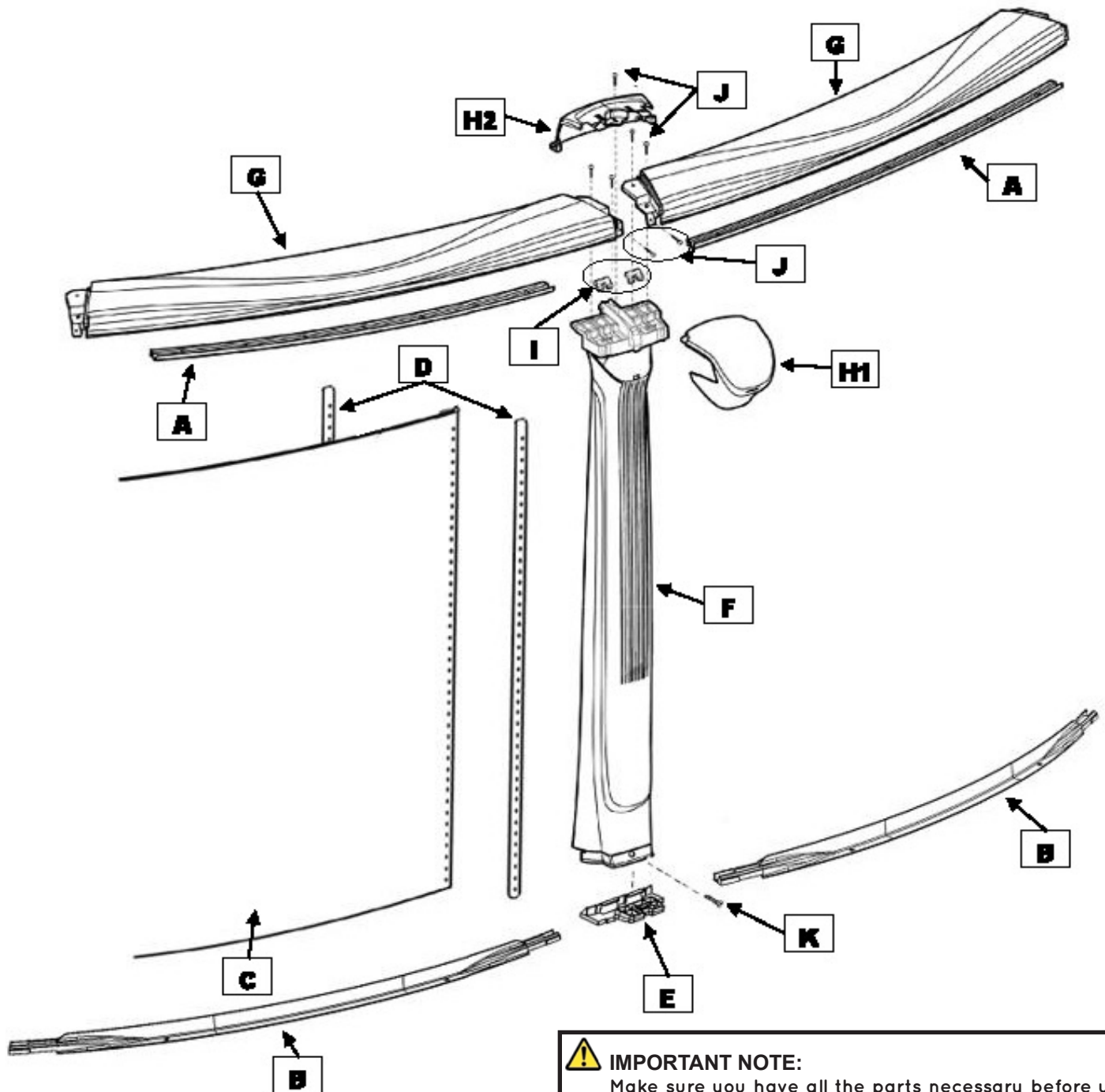
** In the hardware bag for wall you will find parts: #99-0023 - #2FGS422

Section
1

GENERAL INSTRUCTIONS - ROUND POOLS
GROUND PREPARATION

PARTS LISTING

Highlander RRR
PHIG-54RRRRRRM70
Round



⚠ IMPORTANT NOTE:
Make sure you have all the parts necessary before you start installation.

**Section
1**

**GENERAL INSTRUCTIONS - ROUND POOLS
GROUND PREPARATION**

PARTS LISTING

Product Description:			Highlander Ronde							Revised Sept 2019
Product Code:			PHIG-54RRRRRM70							
			Quantity required for installation (by pool size)							
Index	Description	Part #	12	15	18	21	24	27	30	
A	Stabilizer	1071507160000	8	10						
A	Stabilizer	1072407160000			12	14	16			
A	Stabilizer	1073007160000						18	20	
B	Bottom Rail	1081547000000	8	10						
B	Bottom Rail	1082447000000			12	14	16			
B	Bottom Rail	1083047000000						18	20	
C	Steel wall		1	1	1	1	1	1	1	
D	Steel bar	11825	2	2	2	2	2	2	2	
E	Bottom plate	11207100000	8	10	12	14	16	18	20	
F	Upright	1020047Q54	8	10	12	14	16	18	20	
G	Top ledge (regular)	10147360010	8							
G	Top ledge (12')	10147360000		10	12	14	16	18	20	
H1	Ledge cover outer	1030045Q00	8	10	12	14	16	18	20	
H2	Ledge cover inner	1030045Q10	8	10	12	14	16	18	20	
I	Upright clip	6ADP10900A00	16	20	24	28	32	36	40	
J	Stainless screw 12 x 3/4"	V12X34	59	73	87	101	115	129	143	
K	Stainless screw 12 x 1 1/2"	2PPS112	8	10	12	14	16	18	20	
*	Hardware bag	1051200380	1							
*	Hardware bag	1051500380		1						
*	Hardware bag	1051800380			1					
*	Hardware bag	1052100380				1				
*	Hardware bag	1052400380					1			
*	Hardware bag	1052700380						1		
*	Hardware bag	1053000380							1	
**	Hardware bag for wall	1050000054	1	1	1	1	1	1	1	
	Truss phill 18-8 bolt 18-8 1/4-0x3/4	99-0023	31	31	31	31	31	31	31	
	Flange nuts S/S 1/4-20 serrated	2FGS422	31	31	31	31	31	31	31	
	Installation DVD	SACWBI36875	1	1	1	1	1	1	1	

* In the hardware bag you will find parts: #2PPS112 - #V12x34

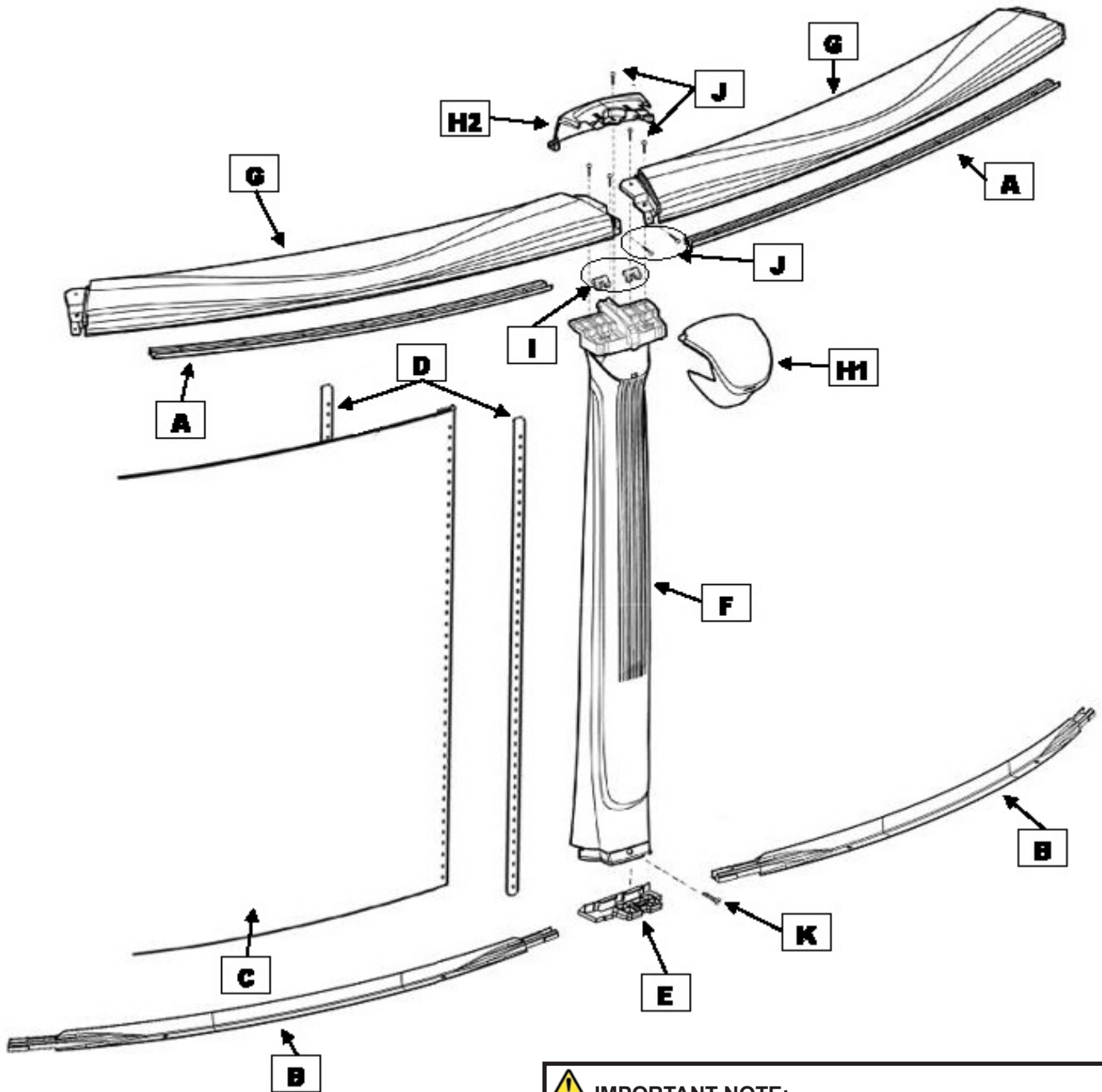
** In the hardware bag for wall you will find parts: #99-0023 - #2FGS422

Section
1

GENERAL INSTRUCTIONS - ROUND POOLS
GROUND PREPARATION

PARTS LISTING

Imperia RRR
PIPR-52RRRRRRM60
Round



⚠ IMPORTANT NOTE:
Make sure you have all the parts necessary before you start installation.

Section 1

GENERAL INSTRUCTIONS - ROUND POOLS GROUND PREPARATION

PARTS LISTING

Product Description:			Imperia Round							Revised Sept 2019
Product Code:			PIPR-52RRRRRRM60							
Index #	Description	Part #	Quantity required for installation (by pool size)							
			12	15	18	21	24	27	30	
A	Stabilizer 12', 15'	1071507160000	8	10						
A	Stabilizer 18', 21', 24'	1072407160000			12	14	16			
A	Stabilizer 27', 30'	1073007160000						18	20	
B	Bottom Rail 12', 15'	1081541000000	8	10						
B	Bottom Rail 18', 21', 24'	1082441000000			12	14	16			
B	Bottom Rail 27', 30'	1083041000000						18	20	
C	Steel wall (hole-to-hole)		1	1	1	1	1	1	1	
D	Steel bar	11823	2	2	2	2	2	2	2	
E	Bottom plate	11207100000	8	10	12	14	16	18	20	
F	Upright	1020038Q52	8	10	12	14	16	18	20	
G	Top ledge (regular)	10138360000		10	12	14	16	18	20	
G	Top ledge (12')	10138360010	8							
H1	Ledge cover (outer)	1030038Q00	8	10	12	14	16	18	20	
H2	Ledge cover (inner)	1030038Q10	8	10	12	14	16	18	20	
I	Upright clip	6ADP10900A00	16	20	24	28	32	36	40	
J	Stainless screw 12 x 3/4"	V12X34	59	73	87	101	115	129	143	
K	Stainless screw 12 x 1 1/2"	2PPS112	8	10	12	14	16	18	20	
*	Hardware bag	1051200380	1							
*	Hardware bag	1051500380		1						
*	Hardware bag	1051800380			1					
*	Hardware bag	1052100380				1				
*	Hardware bag	1052400380					1			
*	Hardware bag	1052700380						1		
*	Hardware bag	1053000380							1	
**	Hardware bag for wall	1050000054	1	1	1	1	1	1	1	
	Truss phill 18-8 bolt 18-8 1/4-0x3/4	99-0023	31	31	31	31	31	31	31	
	Flange nuts S/S 1/4-20 serrated	2FGS422	31	31	31	31	31	31	31	
	Installation DVD	SACWBI36875	1	1	1	1	1	1	1	

* In the hardware bag you will find parts: #2PPS112 - #V12x34

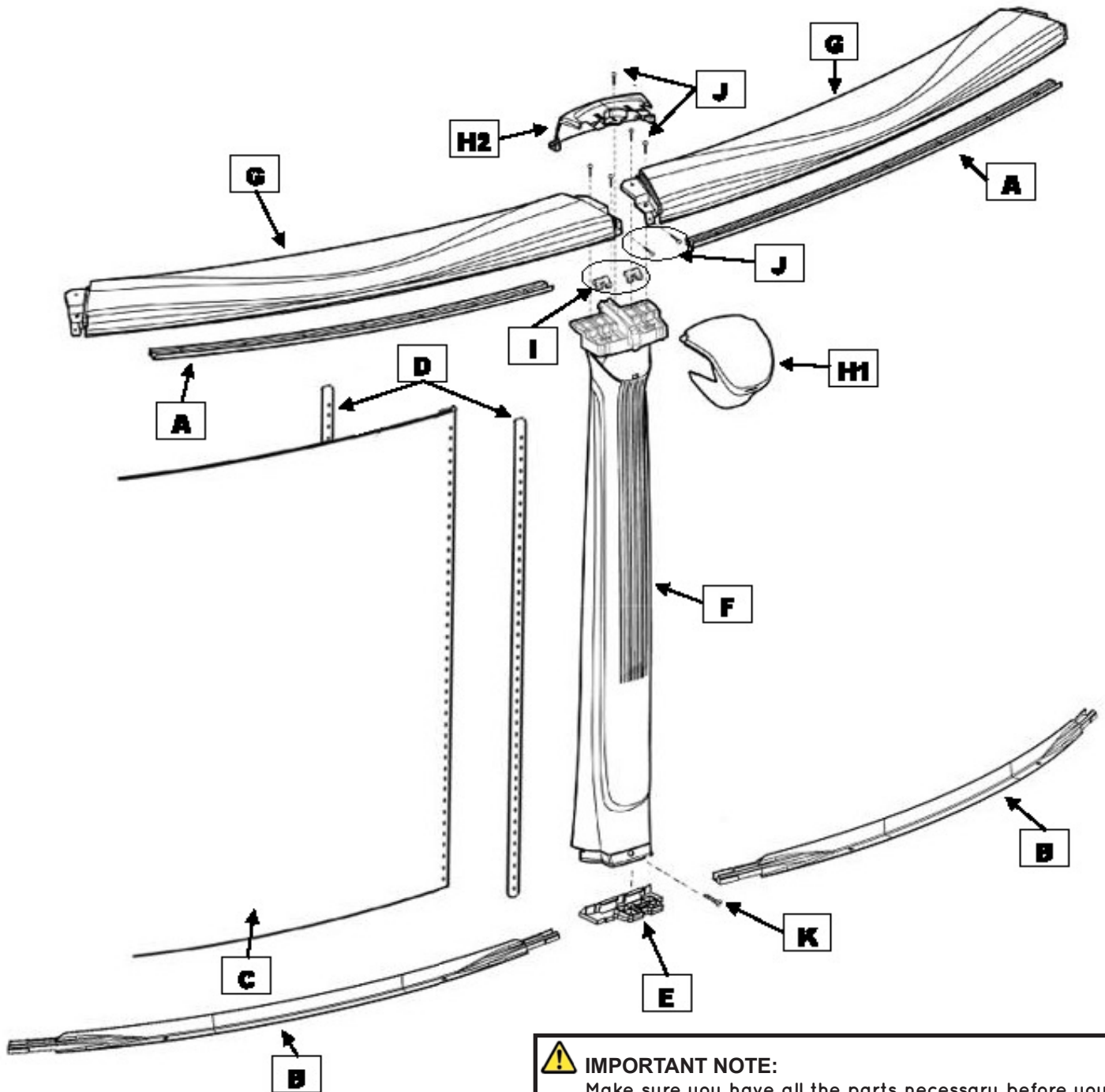
** In the hardware bag for wall you will find parts: #99-0023 - #2FGS422

Section
1

GENERAL INSTRUCTIONS - ROUND POOLS
GROUND PREPARATION

PARTS LISTING

Milano RRR
PMIL-52RRRRRRM50
Round



⚠ IMPORTANT NOTE:
Make sure you have all the parts necessary before you start installation.

**Section
1**

**GENERAL INSTRUCTIONS - ROUND POOLS
GROUND PREPARATION**

PARTS LISTING

Product Description:		Milano Round	Revised Sept. 2019							
Product Code:		PMIL-52RRRRRRM50								
Index #	Description	Part #	Quantity required for installation (by pool size)							
			12	15	18	21	24	27	30	33
A	Stabilizer 12', 15'	1071507160000	8	10						
A	Stabilizer 18', 21', 24'	1072407160000			12	14	16			
A	Stabilizer 27', 30', 33'	1073007160000						18	20	22
B	Bottom Rail 12', 15'	1081541000000	8	10						
B	Bottom Rail 18', 21', 24'	1082441000000			12	14	16			
B	Bottom Rail 27', 30', 33'	1083041000000						18	20	22
C	Steel wall		1	1	1	1	1	1	1	1
D	Steel bar	11823	2	2	2	2	2	2	2	2
E	Bottom plate	11207100000	8	10	12	14	16	18	20	22
F	Upright	1020041Q52	8	10	12	14	16	18	20	22
G	Top ledge (regular)	10141360000		10	12	14	16	18	20	22
G	Top ledge (12')	10141360010	8							
H1	Ledge cover outer	1030041Q00	8	10	12	14	16	18	20	22
H2	Ledge cover inner	1030041Q10	8	10	12	14	16	18	20	22
I	Upright clip	6ADP10900A00	16	20	24	28	32	36	40	44
J	Stainless screw 12 x 3/4"	V12X34	59	73	87	101	115	129	143	157
K	Stainless screw 12 x 1 1/2"	2PPS112	8	10	12	14	16	18	20	22
*	Hardware bag	1051200380	1							
*	Hardware bag	1051500380		1						
*	Hardware bag	1051800380			1					
*	Hardware bag	1052100380				1				
*	Hardware bag	1052400380					1			
*	Hardware bag	1052700380						1		
*	Hardware bag	1053000380							1	
*	Hardware bag	1053300380								1
**	Hardware bag for wall	1050000054	1	1	1	1	1	1	1	1
	Truss phill 18-8 bolt 18-8 1/4-0x3/4	99-0023	31	31	31	31	31	31	31	31
	Flange nuts S/S 1/4-20 serrated	2FGS422	31	31	31	31	31	31	31	31
	Installation DVD	SACWBI36875	1	1	1	1	1	1	1	1

* In the hardware bag you will find parts: #2PPS112 - #V12x34

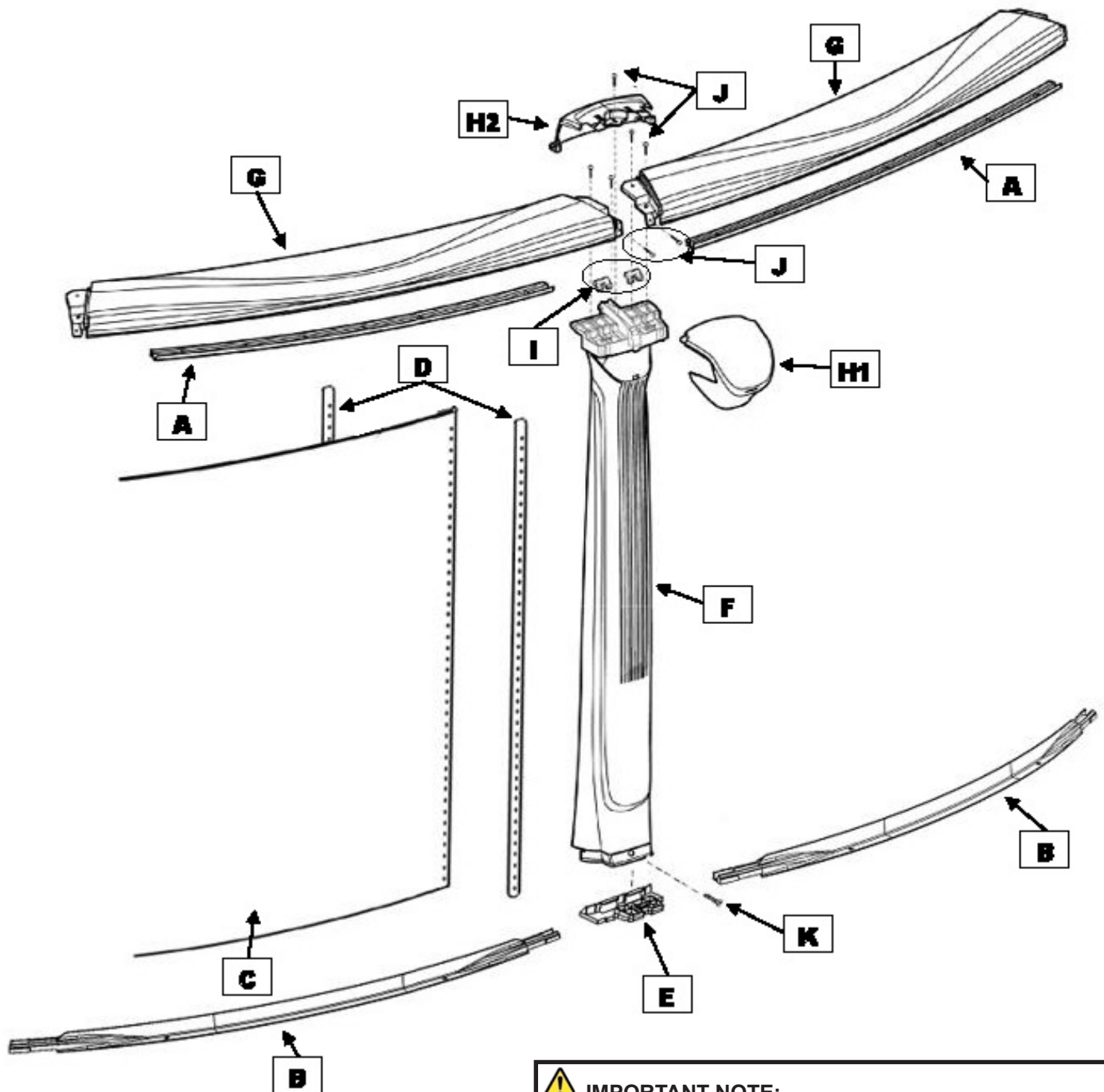
** In the hardware bag for wall you will find parts: #99-0023 - #2FGS422

Section
1

GENERAL INSTRUCTIONS - ROUND POOLS
GROUND PREPARATION

PARTS LISTING

Phantom RRR
PPHA-52RRRRRRM30
Round



⚠ IMPORTANT NOTE:
Make sure you have all the parts necessary before you start installation.

Section 1

GENERAL INSTRUCTIONS - ROUND POOLS GROUND PREPARATION

PARTS LISTING

Product Description:		Phantom Round		Revised Sept. 2019					
Product Code:		PPHA-52RRRRRRM30							
Index #	Description	Part #	Quantity required for installation (by pool size)						
			12	15	18	21	24	27	30
A	Stabilizer 12', 15'	1071507160000	8	10					
A	Stabilizer 18', 21', 24'	1072407160000			12	14	16		
A	Stabilizer 27', 30'	1073007160000						18	20
B	Bottom Rail 12', 15'	1081533000000	8	10					
B	Bottom Rail 18', 21', 24'	1082433000000			12	14	16		
B	Bottom Rail 27', 30'	1083033000000						18	20
C	Steel wall (hole-to-hole)		1	1	1	1	1	1	1
D	Steel bar	11823	2	2	2	2	2	2	2
E	Bottom plate	11207100000	8	10	12	14	16	18	20
F	Upright	1020033Q52	8	10	12	14	16	18	20
G	Top Ledge (regular)	10133360000		10	12	14	16	18	20
G	Top Ledge (12')	10133360010	8						
H1	Ledge cover outer	1030033Q00	8	10	12	14	16	18	20
H2	Ledge cover inner	1030033Q10	8	10	12	14	16	18	20
I	Upright clip	6ADP10900A00	16	20	24	28	32	36	40
J	Stainless screw 12 x ¾"	V12X34	59	73	87	101	115	129	143
K	Stainless screw 12 x 1 ½"	2PPS112	8	10	12	14	16	18	20
*	Hardware bag	1051200380	1						
*	Hardware bag	1051500380		1					
*	Hardware bag	1051800380			1				
*	Hardware bag	1052100380				1			
*	Hardware bag	1052400380					1		
*	Hardware bag	1052700380						1	
*	Hardware bag	1053000380							1
**	Hardware for wall	1050000054	1	1	1	1	1	1	1
	Truss phill 18-8 bolts 18-8 1/4-0x3/4	99-0023	31	31	31	31	31	31	31
	Flange nuts S/S 1/4-20 Serrated	2FGS422	31	31	31	31	31	31	31
	Installation DVD	SACWBI36875	1	1	1	1	1	1	1

* In the hardware bag you will find parts: #V12x34 - #2PPS112

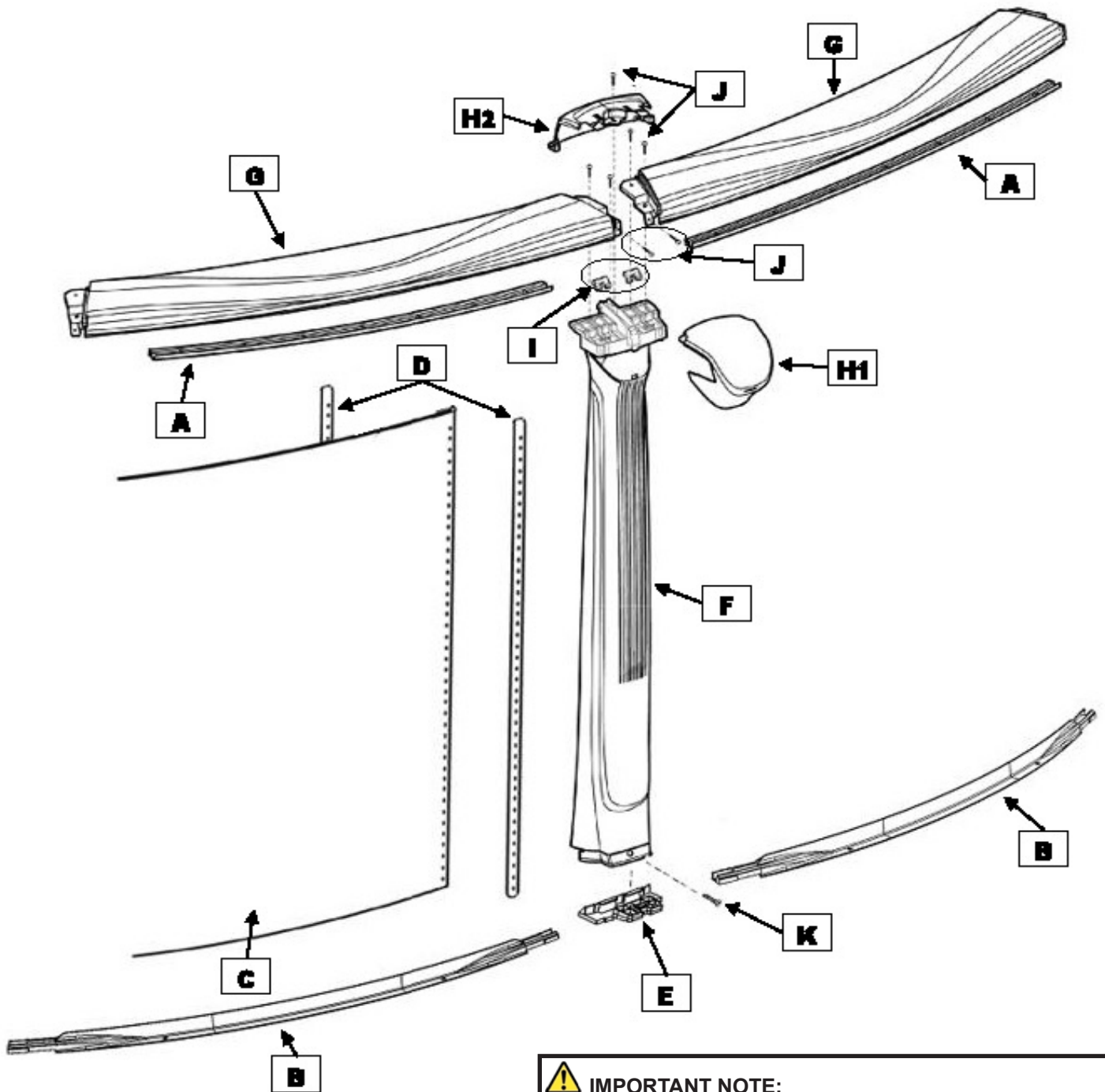
** In the hardware for wall you will find parts: #99-0023 - #2FGS422

Section
1

GENERAL INSTRUCTIONS - ROUND POOLS
GROUND PREPARATION

PARTS LISTING

Tamara RRR
PBLU-52RRRRRRM10
Round



⚠ IMPORTANT NOTE:
Make sure you have all the parts necessary before you start installation.

**Section
1**

**GENERAL INSTRUCTIONS - ROUND POOLS
GROUND PREPARATION**

PARTS LISTING

Product Description: Tamara Round			Revised Sept 2019							
Product Code: PBLU-52RRRRRRM10										
			Quantity required for installation (by pool size)							
Index #	Description	Part #	12	15	18	21	24	27	30	33
A	Stabilizer	1071507160000	8	10						
A	Stabilizer	1072407160000			12	14	16			
A	Stabilizer	1073007160000						18	20	22
B	Bottom Rail	1081507000000	8	10						
B	Bottom Rail	1082407000000			12	14	16			
B	Bottom Rail	1083007000000						18	20	22
C	Steel wall (hole-to-hole)		1	1	1	1	1	1	1	1
D	Steel bar	11823	2	2	2	2	2	2	2	2
E	Bottom plate	11207100000	8	10	12	14	16	18	20	22
F	Upright	1020009Q52	8	10	12	14	16	18	20	22
G	Top ledge (regular)	10109360000		10	12	14	16	18	20	22
G	Top ledge (12')	10109360010	8							
H1	Ledge cover outer	1030009Q00	8	10	12	14	16	18	20	22
H2	Ledge cover inner	1030009Q10	8	10	12	14	16	18	20	22
I	Upright clip	6ADP10900A00	16	20	24	28	32	36	40	44
J	Stainless screw 12 x 3/4"	V12X34	59	73	87	101	115	129	143	157
K	Stainless screw 12 x 1 1/2"	2PPS112	8	10	12	14	16	18	20	22
*	Hardware bag	1051200380	1							
*	Hardware bag	1051500380		1						
*	Hardware bag	1051800380			1					
*	Hardware bag	1052100380				1				
*	Hardware bag	1052400380					1			
*	Hardware bag	1052700380						1		
*	Hardware bag	1053000380							1	
*	Hardware bag	1053300380								1
**	Hardware bag for wall	1050000054	1	1	1	1	1	1	1	1
	Truss phill 18-8 bolt 18-8 1/4-0x3/4	99-0023	31	31	31	31	31	31	31	31
	Flange nuts S/S 1/4-20 serrated	2FGS422	31	31	31	31	31	31	31	31
	Installation DVD	SACWBI36875	1	1	1	1	1	1	1	1

* In the hardware bag you will find parts: #2PPS112 - #V12x34

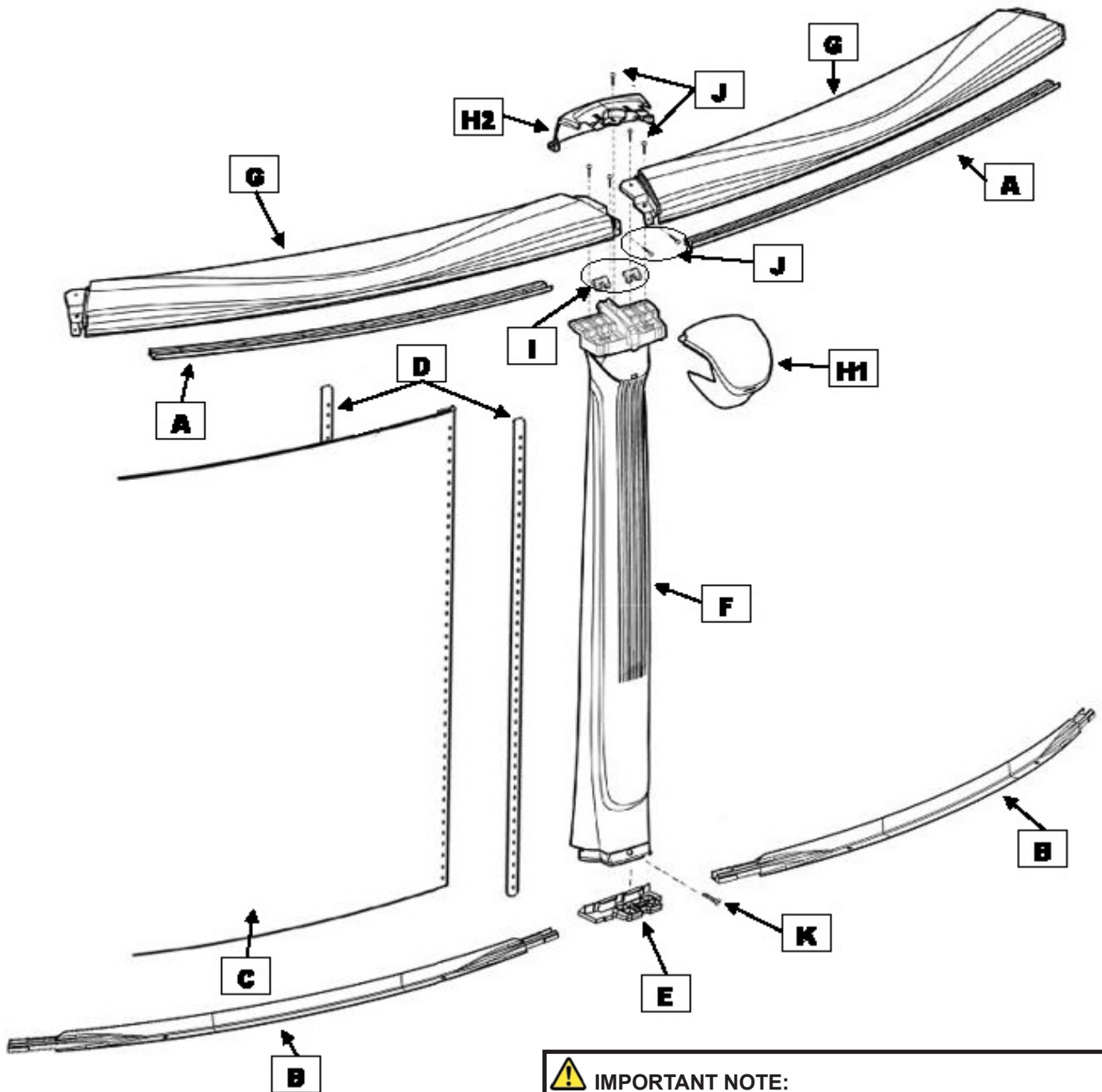
** In the hardware bag for wall you will find parts: #99-0023 - #2FGS422

Section
1

GENERAL INSTRUCTIONS - ROUND POOLS
GROUND PREPARATION

PARTS LISTING

Trinity
PBLU-54RRRRRRM10
Round



⚠ IMPORTANT NOTE:
Make sure you have all the parts necessary before you start installation.

**Section
1**

**GENERAL INSTRUCTIONS - ROUND POOLS
GROUND PREPARATION**

PARTS LISTING

Product Description:		Trinity Round		Revised Sept. 2019					
Product Code:		PBLU-54RRRRRRM10							
			Quantity required for installation (by pool size)						
Index #	Description	Part #	12	15	18	21	24	27	
A	Stabilizer	1071507160000	8	10					
A	Stabilizer	1072407160000			12	14	16		
A	Stabilizer	1073007160000						18	
B	Bottom Rail	1081507000000	8	10					
B	Bottom Rail	1082407000000			12	14	16		
B	Bottom Rail	1083007000000						18	
C	Steel wall		1	1	1	1	1	1	
D	Steel bar	11825	2	2	2	2	2	2	
E	Bottom plate	11207100000	8	10	12	14	16	18	
F	Upright	1020009Q54	8	10	12	14	16	18	
G	Top ledge (regular)	10109360000		10	12	14	16	18	
G	Top ledge (12')	10109360010	8						
H1	Ledge cover (outer)	1030009Q00	8	10	12	14	16	18	
H2	Ledge cover (inner)	1030009Q10	8	10	12	14	16	18	
I	Upright clip	6ADP10900A00	16	20	24	28	32	36	
J	Stainless screw 12 x 3/4"	V12X34	59	73	87	101	115	129	
K	Stainless screw 12 x 1 1/2"	2PPS112	8	10	12	14	16	18	
*	Hardware bag	1051200380	1						
*	Hardware bag	1051500380		1					
*	Hardware bag	1051800380			1				
*	Hardware bag	1052100380				1			
*	Hardware bag	1052400380					1		
*	Hardware bag	1052700380						1	
*	Hardware bag	1053000380							
**	Hardware bag for wall	1050000054	1	1	1	1	1	1	
	Truss phill 18-8 bolts 18-8 1/4-0x3/4	99-0023	31	31	31	31	31	31	
	Flange nuts S/S 1/4-20 Serrated	2FGS422	31	31	31	31	31	31	
	Installation DVD	SACWBI36875	1	1	1	1	1	1	

* In the hardware bag you will find parts: #2PPS112 - #V12x34

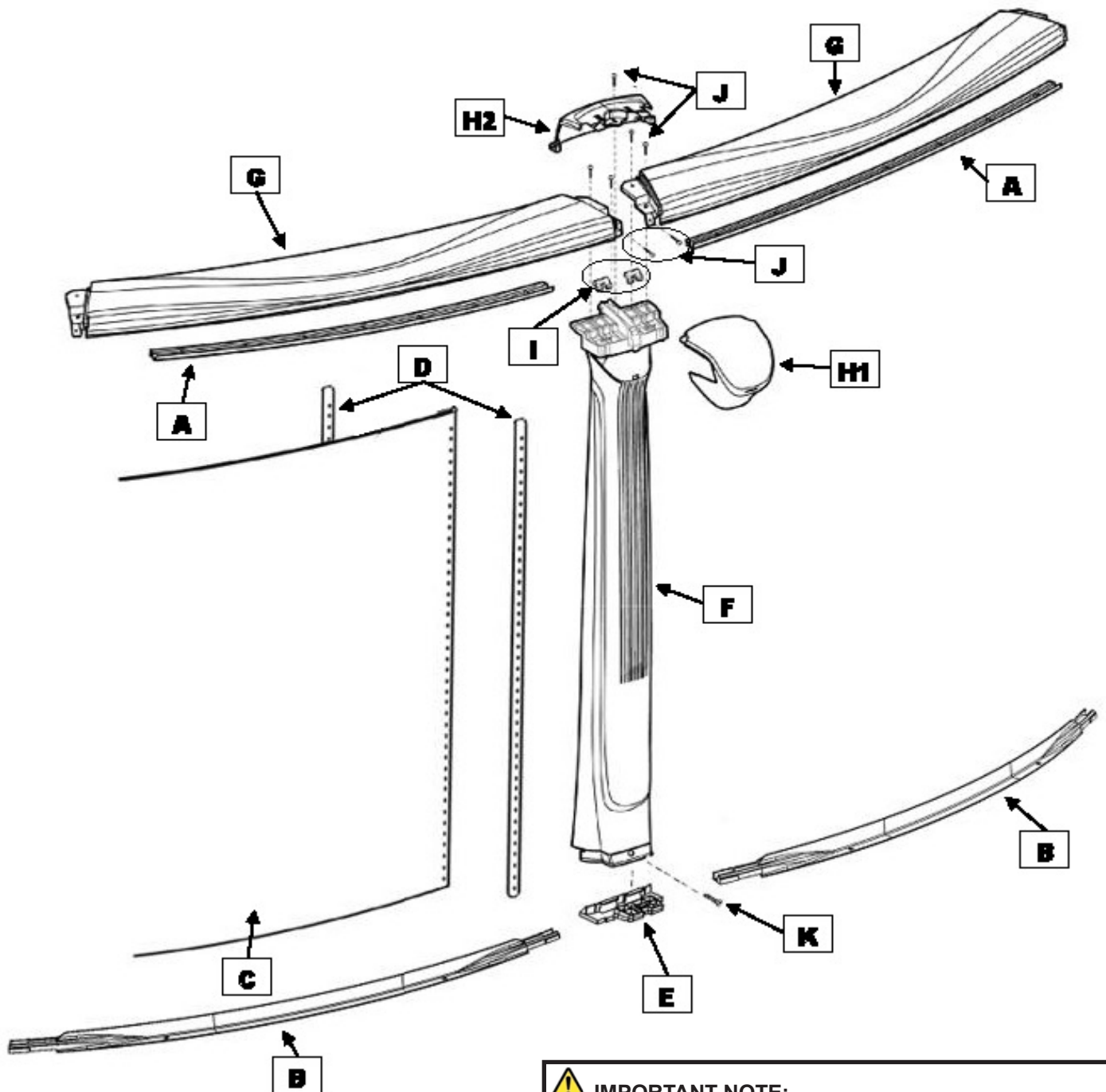
** In the hardware bag for wall you will find parts: #99-0023 - #2FGS422

Section
1

GENERAL INSTRUCTIONS - ROUND POOLS
GROUND PREPARATION

PARTS LISTING

Tuscany RRR
PTUS-54RRRRRM40
Round



⚠ IMPORTANT NOTE:
Make sure you have all the parts necessary before you start installation.

**Section
1**

**GENERAL INSTRUCTIONS - ROUND POOLS
GROUND PREPARATION**

PARTS LISTING

Product Description:		Tuscany Round	Revised Sept. 2019				
Product Code:		PTUS-54RRRRRRM40					
		Quantity required for installation (by pool size)					
Index #	Description	Part #	15	18	21	24	27
A	Stabilizer 15'	1071507160000	10				
A	Stabilizer 18', 21', 24'	1072407160000		12	14	16	
A	Stabilizer 27'	1073007160000					18
B	Bottom Rail 15'	1081507000000	10				
B	Bottom Rail 18', 21', 24'	1082407000000		12	14	16	
B	Bottom Rail 27'	1083007000000					18
C	Steel wall		1	1	1	1	1
D	Steel bar	11825	2	2	2	2	2
E	Bottom plate	11207100000	10	12	14	16	18
F	Upright	1020002Q54	10	12	14	16	18
G	Top ledge (regular)	10102360000	10	12	14	16	18
H1	Ledge cover outer	1030038Q00	10	12	14	16	18
H2	Ledge cover inner	1030038Q10	10	12	14	16	18
I	Upright clip	6ADP10900A00	20	24	28	32	36
J	Stainless screw 12 x 3/4"	V12X34	73	87	101	115	129
K	Stainless screw 12 x 1 1/2"	2PPS112	10	12	14	16	18
*	Hardware bag	1051500380	1				
*	Hardware bag	1051800380		1			
*	Hardware bag	1052100380			1		
*	Hardware bag	1052400380				1	
*	Hardware bag	1052700380					1
**	Hardware bag for wall	1050000054	1	1	1	1	1
	Truss phil 18-8 bolts 18-8 1/4-0x3/4	99-0023	31	31	31	31	31
	Flange nuts S/S 1/4-20 Serrated	2FGS422	31	31	31	31	31
	Installation DVD	SACWBI36875	1	1	1	1	1

* In the hardware bag you will find parts: #2PPS112 - #V12x34

** In the hardware bag for wall you will find parts: #99-023 - 2FGS422

Section 1

GENERAL INSTRUCTIONS - ROUND POOLS GROUND PREPARATION

READ ALL INSTRUCTIONS CAREFULLY

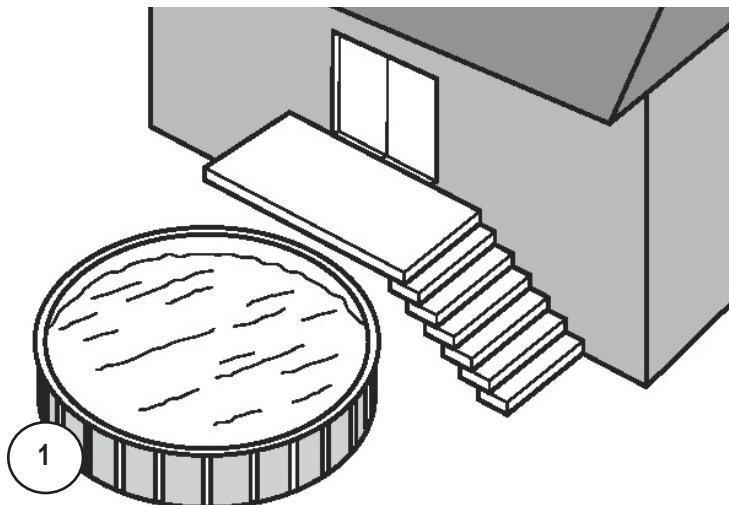
The approximate time it takes for installation, excluding earthworks and filling is about 1/2 day. You will need at least 3 people to help with installation.

A. DETERMINE THE LOCATION OF YOUR POOL

1. The Terrain

Pay special attention to choosing the right location for your pool:

- Choose a large area, as flat and level as possible and well drained. **(Image 1)**
- Choose a spot on dry, firm earth (stabilizer or other)—do not install the pool on asphalt, tar or oil based surfaces, gravel, peat moss, wood or chemically treated soil.
- Check with your pool dealer to see if Nut Grass grows in your area. This type of grass may grow up through your pool liner. Your dealer will be able to advise how best to treat the site.
- Sloped areas will need to be made level by digging away high spots, not by filling low spots—be prepared to hire earth-moving equipment if necessary.
- Ensure the earth is well compacted and a wall is placed to prevent the earth from seeping out. **(Image 2)**
- If you need to install partly in the ground, you must contact your dealer to see if this is an option for you and that you meet law requirements in your jurisdiction. **(Image 3)**



Important Note:

Ground preparation is one of the most important steps in the installation process. A proper foundation will ensure the rest of the pool assembly goes smoothly and that no problems will occur when the pool is filled with water.

Section 1

GENERAL INSTRUCTIONS - ROUND POOLS GROUND PREPARATION

A. CONT. DETERMINE THE LOCATION OF YOUR POOL

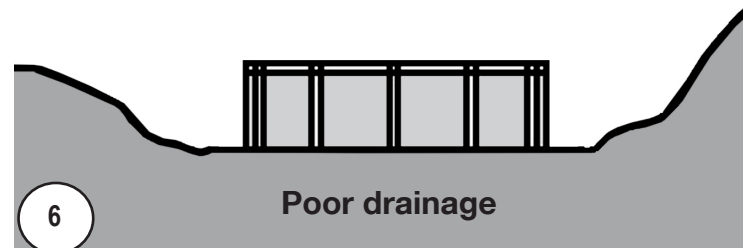
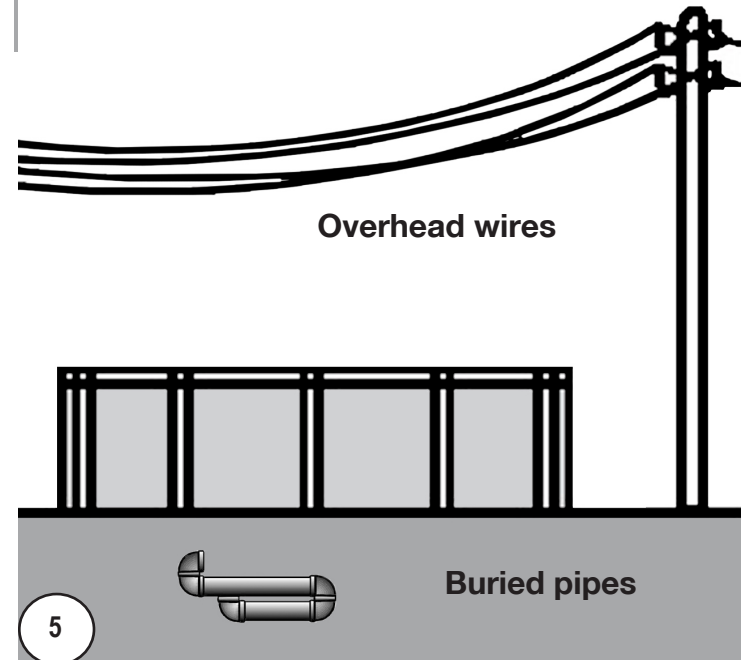
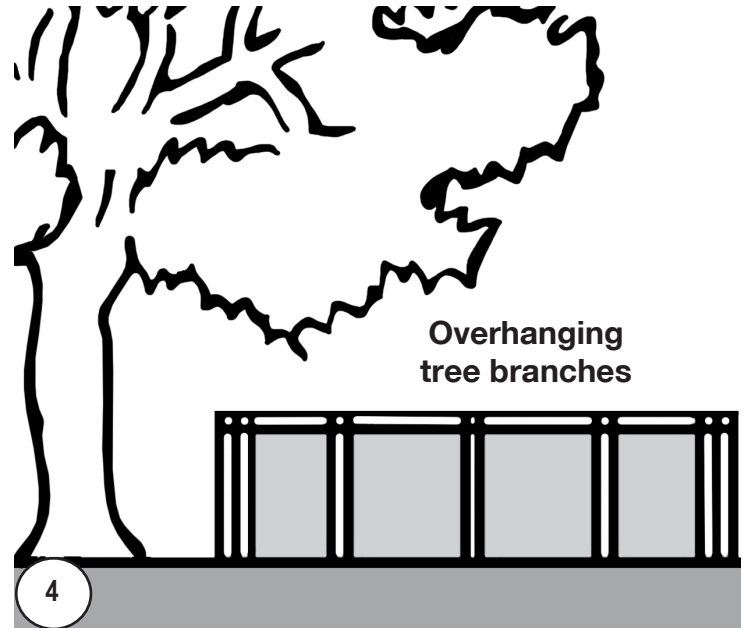
2. Things to Avoid

Do not locate your pool near or on any of the following (**Images 4 to 6**):

- Overhanging tree branches.
- Overhead wires and clotheslines.
- Buried pipes and wires. Contact your gas, electric and telephone utilities to find buried pipes and wires before you dig.
- Areas with poor drainage.
- Grass, stones and roots. Grass will rot underneath the pool liner, and stones and roots will damage the pool liner.
- Areas recently treated with oil-based weed killers, chemicals or fertilizers.

3. Plan Ahead

- Will you be adding an adjacent deck later? Be sure to leave room.
- Will you be using pool accessories or other appliances that need electricity or gas? Locate your pool near these services or plan to have them installed later by a licensed contractor.



Important Note:

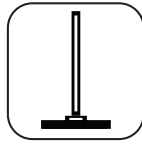
When locating the centre of the pool, be sure to take into consideration any structures (deck, patio, house) or relevant items (change rooms, gazebo, etc.) that the pool may need to line up with and ensure that the pool is in the most visual pleasing location for your property.

Section 1

GENERAL INSTRUCTIONS - ROUND POOLS GROUND PREPARATION

A. CONT. DETERMINE THE LOCATION OF YOUR POOL

4. Tools Needed



Compactor



Hammer



Water hose



Level



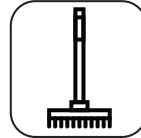
File



Vacuum cleaner



Pliers



Rake



Lawn roller



Metal snips



Screwdriver



Wheelbarrow



Shovel



Spraypaint



Mallet



Measuring tape



Duct tape



Trowel



Wrench




 Gloves

List of required materials

- Straight wood plank
- Material that provides a permanent base (ex. Crushed stone)
- Fine sand (void of debris)
- Cement blocks (5cm x 20cm x 40cm / 2"x 8"x16") (optional)
- 2x Plywood (60cm x 120cm / 2ft x 4ft)
- Wood board (30cm x 20cm / 1ft x 1ft)
- Vinyl covered hooks (to hold wall steady)
- String and stakes & wooden pegs
- Prefabricated cove sections (optional)
- Pool carpeting (optional)
- Rope
- Polyethylene Plastic Sheeting

- Optical Level
Can be useful for precise measurements



 **Important Note:**
Wall edges, skimmer and water return holes may be sharp, it is important to wear gloves when installing.

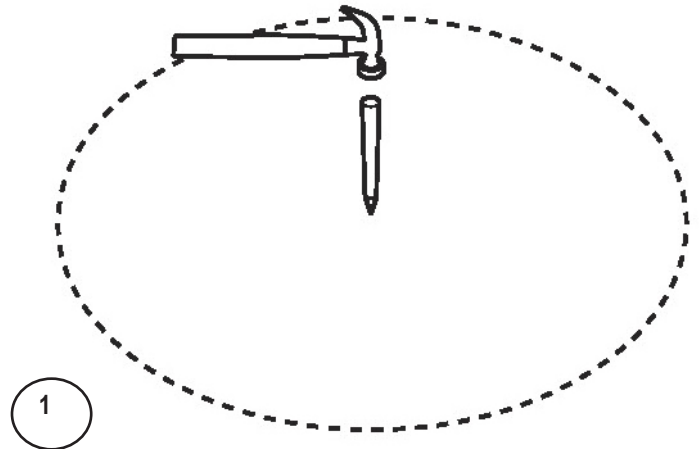
Section 1

GENERAL INSTRUCTIONS - ROUND POOLS GROUND PREPARATION

B. PREPARE THE FOUNDATION OF YOUR POOL

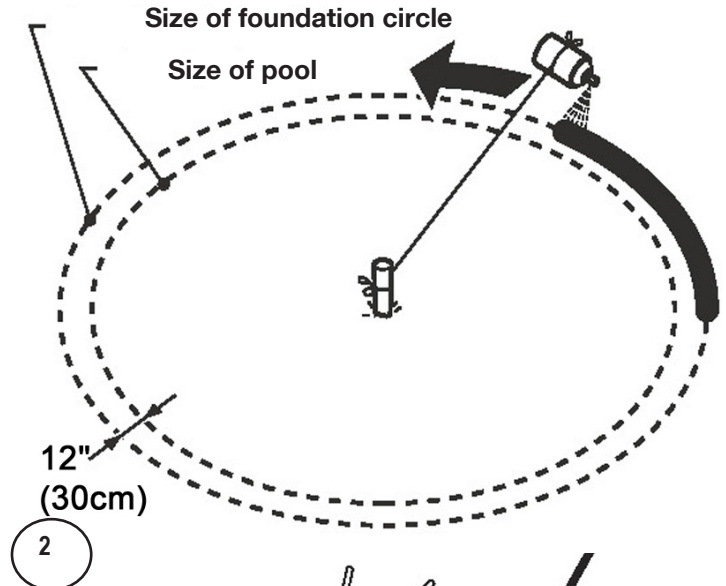
1. Mark out the Area

- Drive a peg into the ground at the centre of the area where you want your pool. **(Image 1)**
- Use a length of string tied between the peg and a can of spray paint, and mark a circle on the ground (a tape measure can also be used). The circle will be 12" (30 cm) bigger all round than the pool. **(Image 2)**

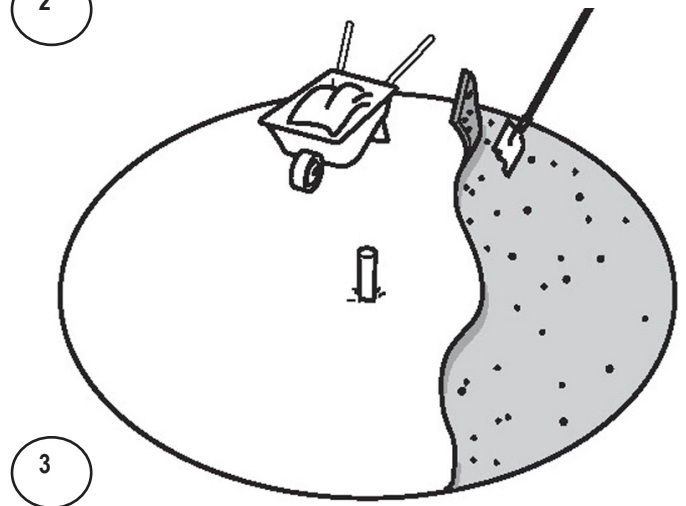


2. Remove the sod

- Remove all sod and plants from the circle. **(Image 3)**
- Remove any sticks, stones and roots from the circle using a rake.
- To make sure your pool is stable, compact the ground well, use the compactor, before adding the sand.



⚠ Important Note:
Your pool must be perfectly level. Take the time you need to be sure your foundation is perfectly level.



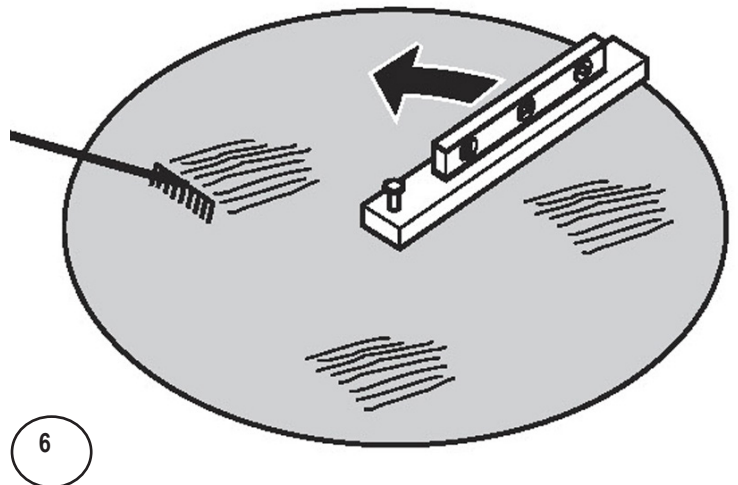
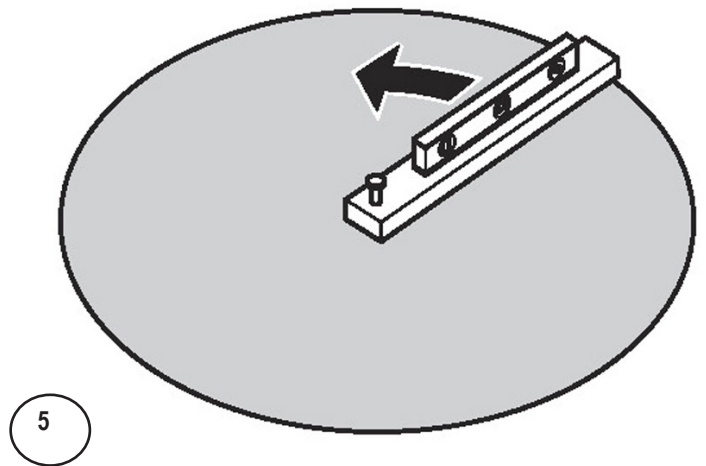
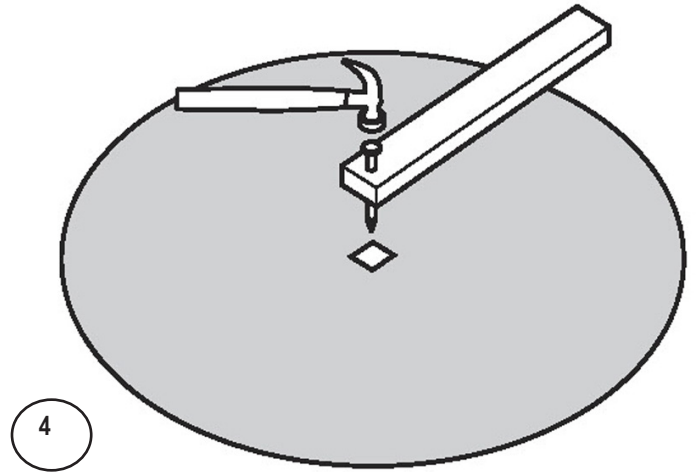
Section 1

GENERAL INSTRUCTIONS - ROUND POOLS GROUND PREPARATION

B. CONT. PREPARE THE FOUNDATION OF YOUR POOL

3. Make the area flat and level

- a. Replace the centre peg with a flat-topped stake, at least 1" (25 mm) square and 6" (15 cm) long. Drive it down flush with the ground surface.
- b. Nail one end of a straight 2-by-4 (5cm x 10cm) wood plank to the top of the stake. Use a nail long enough to hold the end of the 2-by-4 (5cm x 10cm) wood plank to the stake while you rotate it in a circle. **(Image 4)**
- c. Put a carpenter's level on the wood plank and swing the board in a circle to find the high and low spots. **(Image 5)**
- d. Remove all the high spots with a shovel, hoe or rake. **(Image 6)**



Important Note:

Use the optical level to ensure that the ground is perfectly flat and level.

Section 1

GENERAL INSTRUCTIONS - ROUND POOLS GROUND PREPARATION

B. CONT. PREPARE THE FOUNDATION OF YOUR POOL

- e. Be prepared to hire earth moving equipment if you need to level a large area. Remember, your pool must be level across the diameter of the pool.

(Image 7)

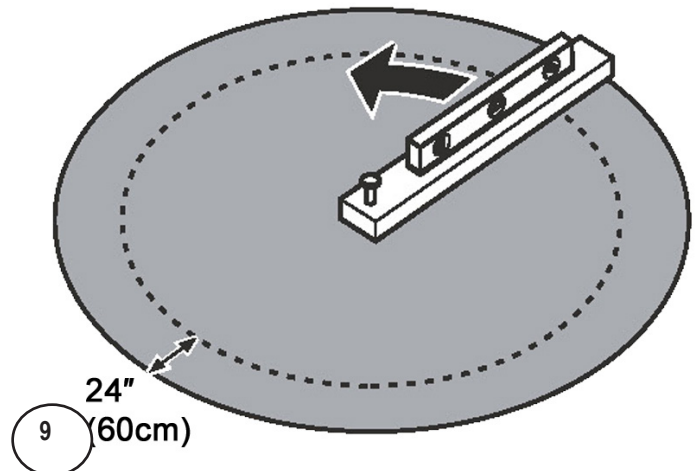
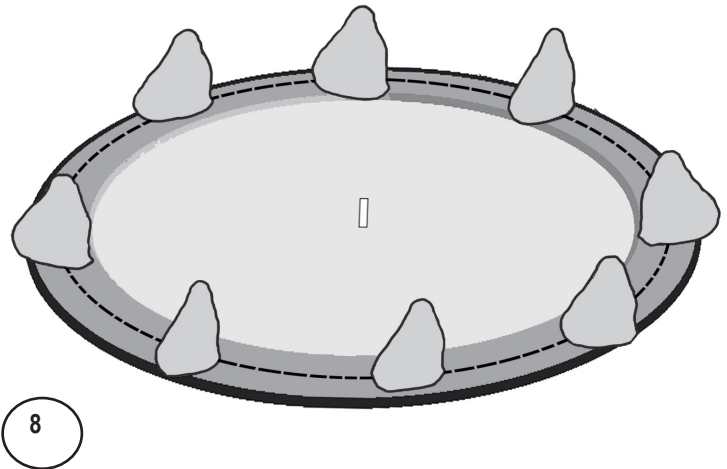
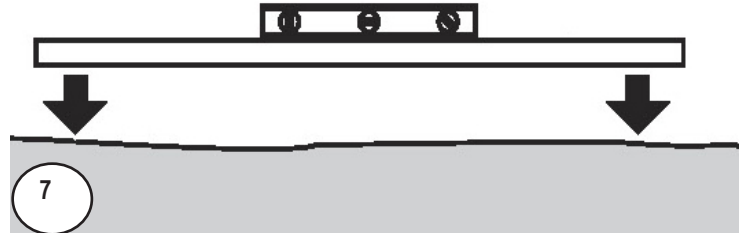
- f. Small dips and hollows may be filled in, but the soil must be hard-packed and well compacted with a **tamping tool**.

- g. Take material such as rock dust or fine mortar that can conform a solid, permanent base and deposit this material around the rim of the basin. The material used should be spread around the perimeter of the pool to a width of 24" (60cm) and a thickness of 2" (5cm).

(Image 8)

Note: Bottom rails will be placed in the center of the perimeter of the pool see the dashed line. **(Image 8)**

- h. Recheck the outer perimeter of the circle, where the pool wall will be. Compact the ground and make sure there are no high or low spots. The bottom edge of the pool wall must rest flat on the ground and have no gaps under it. **(Image 9)**



Important Note:

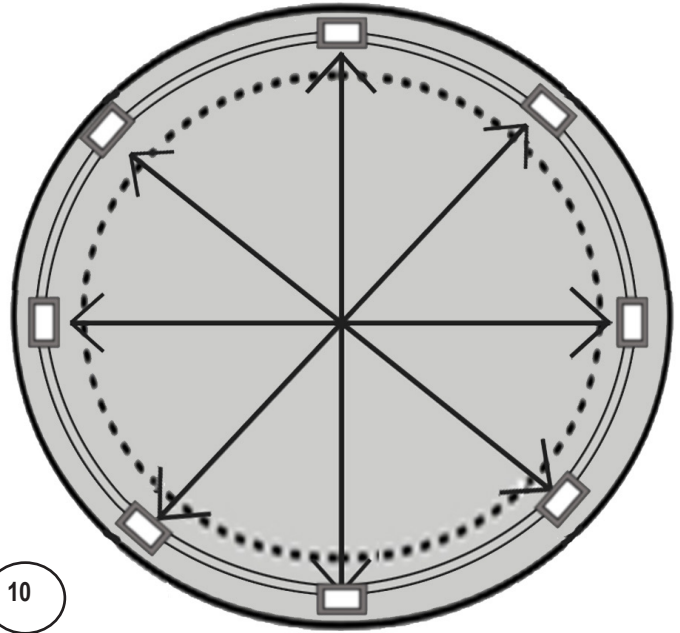
The outer 24" (60cm) of the circle must be perfectly flat. The bottom edge of the pool must rest flat on the ground and have no gaps under it. Take the time you need to be sure this area is perfectly flat and level.

Section 1

GENERAL INSTRUCTIONS - ROUND POOLS GROUND PREPARATION

B. CONT. PREPARE THE FOUNDATION OF YOUR POOL

- i. Go over the entire perimeter of the pool to ensure that at every 3" the surface is completely level.
- j. Lay out the bottom rails and bottom plates around the circle.
- k. Check the roundness of your circle, by measuring the diameter across in several locations. Since the bottom rails do not automatically form a true circle, **DO NOT SKIP THIS STEP!** Otherwise you might end up with a slightly oval shape, which can cause problems later on. **(Image 10)**
- l. Verify the height of each bottom plate with an optical level. They have to be at the same height. Adjust height if necessary. **(Image 11)**



Section 1

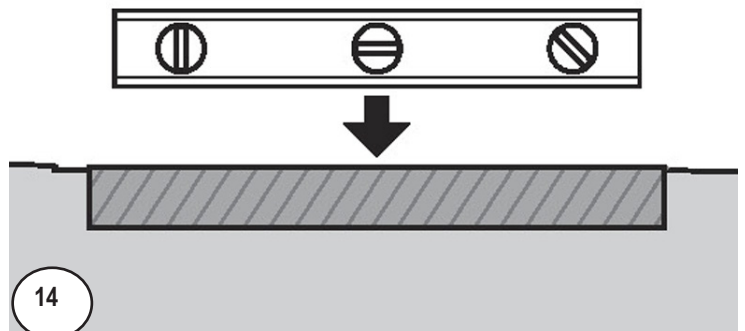
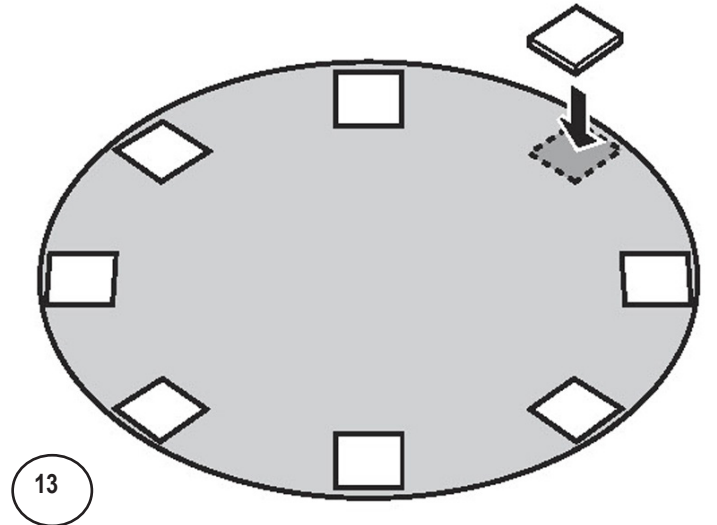
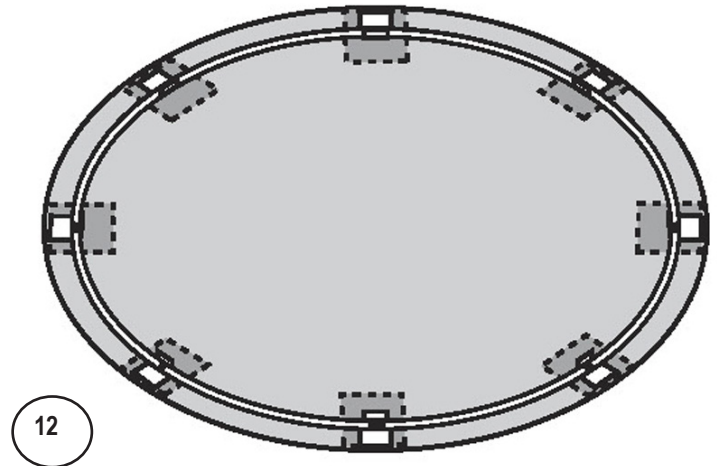
GENERAL INSTRUCTIONS - ROUND POOLS GROUND PREPARATION

B. CONT. PREPARE THE FOUNDATION OF YOUR POOL

4. Patio Stones (Optional)

- Concrete patio stones may be placed at the base of each upright of your pool.
- Each bottom plate will show the location for a patio stone. Make a mark in the ground at each base plate. **(Image 12)**
- Remove the bottom rails and bottom plates and lay out the patio stones around the circle where the bottom plates were. **(Image 13)**
- The patio stones **must** be sunk into the ground so the tops are flush with the soil around them. Use the carpenter's level to make sure the patio stones are perfectly level and flush with the ground. Use either the carpenter's level and a 2-by-4 (5cm x 10cm) wood plank, or the optical level between patio stones to make sure the stones are level with each other. **(Image 14)**
- Do not install blocks or rails on loose sifted soil or sand. There must be no space between the ground and the bottom of the rails. All patio blocks **must be flush with the ground**, solid and level with each other in all directions.

NOTE: Installing patio blocks is optional and the blocks may shift due to temperature changes.



Important Note:

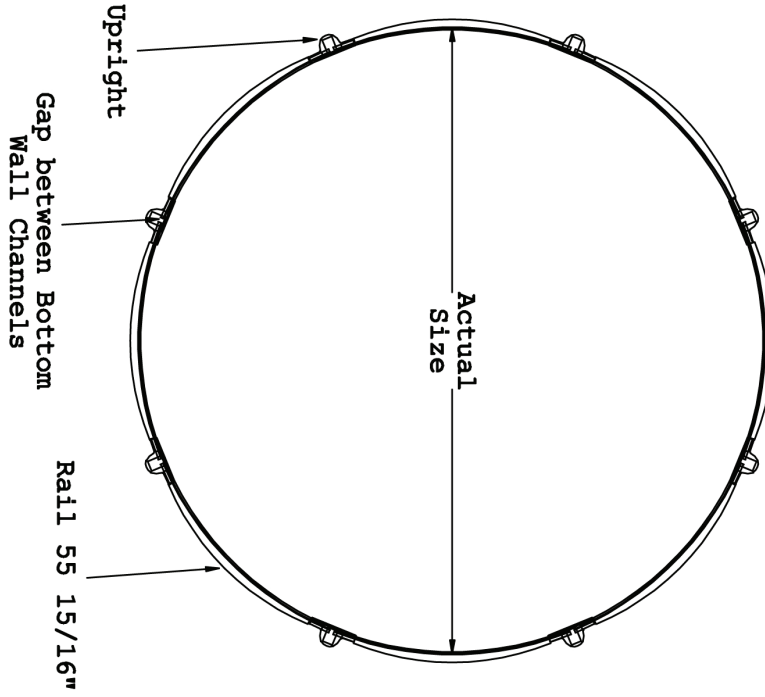
Make sure the patio stones are perfectly level and flush with the ground. All patio blocks must be flush with the ground, solid and level with each other in all directions.

5. Proceed to Section 2 - Assembling the Pool Base

Section 1

GENERAL INSTRUCTIONS - ROUND POOLS GROUND PREPARATION

ROUND FOOTPRINT - ALL SIZES



- Notes:
1. All dimensions are in inches unless otherwise specified.
 2. All dimensions are referenced from the wall location.
 3. Manufacturers tolerances and field condition may result in dimensional variations.

ROUND POOL CHART								
Pool Size	12'	15'	18'	21'	24'	27'	30'	33'
Uprights	8	10	12	14	16	18	20	22
Rails	16	20	24	28	32	36	40	44
Radius of Rails	7.5'	7.5'	12'	12'	12'	15'	15'	15'
Gap B/T Rails	9/16"	9/16"	5/8"	5/8"	5/8"	5/8"	5/8"	5/8"
Wall Perimeter	452"	565"	679"	792"	905"	1018"	1131"	1244"
Wall Length	453"	566"	680"	793"	906"	1019"	1132"	1245"

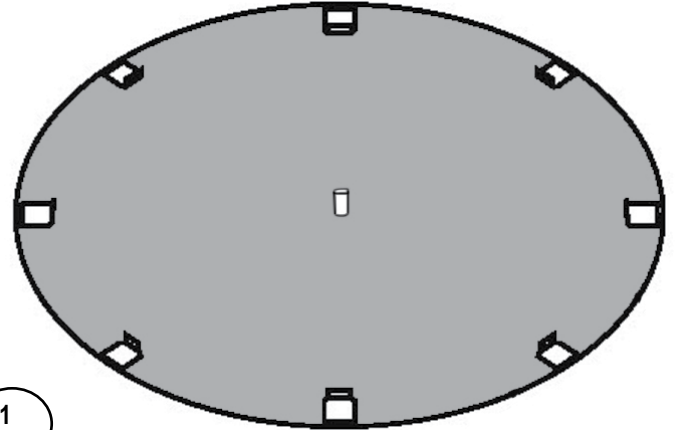
Section 2

GENERAL INSTRUCTIONS - ROUND POOLS ASSEMBLING THE POOL BASE

A. LAY OUT THE BOTTOM PLATES AND BOTTOM RAILS

1. Lay out bottom plates

- Place the bottom plates equally spaced around the perimeter of your foundation. If you are using the optional patio stones, depending on your model place one bottom plate on each stone. **(Image 1)**



1

See Diagram:

Please refer to your pool's footprint (Section 1, last page) for gap measurement.

2. Assemble bottom plates, rails

- Insert the end of each bottom rail into a bottom plate. Leave a gap between the ends of the bottom rails. **(Images 2 & 3)**



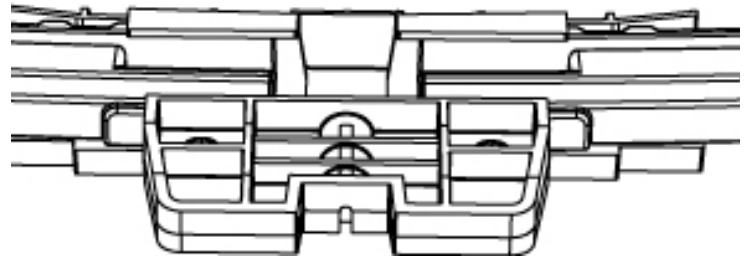
2

Important Note:

Use a soft measuring tape to measure around the perimeter of the pool. Measure from the inside of the bottom rail, the measurement should equal the wall length.

- Measure the diameter of your pool all around the circle and make sure it is correct.
Note: this measurement should be taken from centre to centre of the bottom plate. When the circumference is perfectly round, hammer nails into the ground to keep the bottom rails into place.

These nails are to be removed only at the last step-when filling up the pool.



3

3. Proceed to Section 3 (S.3) Assembling the pool wall.

Section 3

GENERAL INSTRUCTIONS - ROUND POOLS ASSEMBLING THE POOL WALL

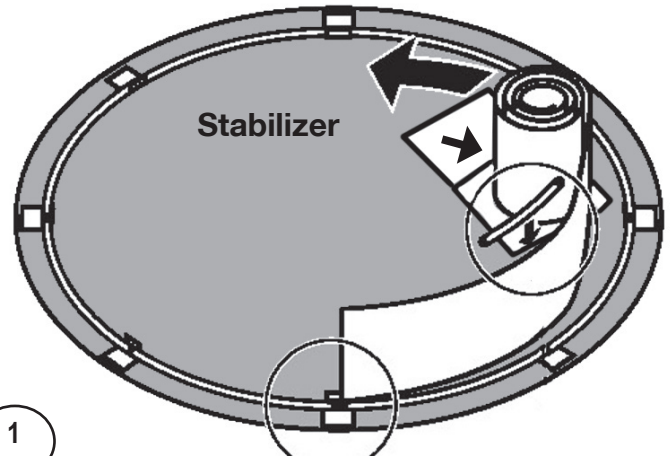
A. SETTING UP THE POOL WALL

Do not attempt to install the pool wall in the wind, wait for a calm day.
It takes at least 3 people to install the pool wall.

1. Preparing for the wall installation

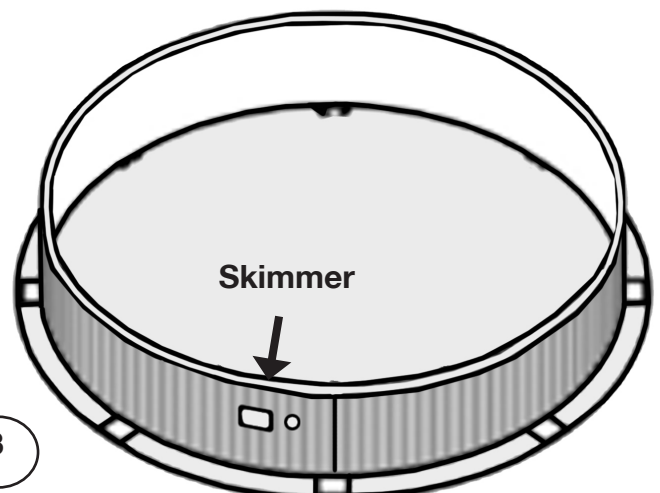
- Bring the following items into the middle of the pool foundation before you start uncoiling the pool wall: plywood, some extra sand or fine dirt to make the cove and a ladder to climb out after the wall is assembled.
- Make sure the skimmer and water return holes are located where you need them to be. The skimmer and water return holes are positioned towards the end of the wall, **(the section before where the wall started)**.

⚠ Important Note:
Wall edges, skimmer and water return holes may be sharp, it is important to wear gloves when installing.



2. Set the pool wall in place

- Unpackage the coiled pool wall and stand it on the plywood at the place close to where you need to install the skimmer. **(Image 1)**
(Remember the skimmer and water return holes will be placed at the section just before where you started the wall installation).
- Start uncoiling the wall, guiding the bottom edge into the curved bottom rail. The starting end of the wall must be positioned in the centre of a bottom plate, and the skimmer and return holes should be positioned where the pump and filter will be. **(Image 1)**
- Set lengths of stabilizer onto the top edge of the wall as you uncoil it. **(Image 1)**
- We also suggest installing vinyl-covered hooks and rope to hold the wall steady. Ideally the help of several people should be solicited to hold the wall in place. Work around the foundation until the entire pool wall is uncoiled into the bottom rails. **(Image 2)**
- When uncoiling the wall, the skimmer and return holes are positioned toward the end of the wall. **(Image 3)**



⚠ Important Note:
It is preferable to use very fine sand that is easily compacted. Be careful not to spill sand on the bottom rails.

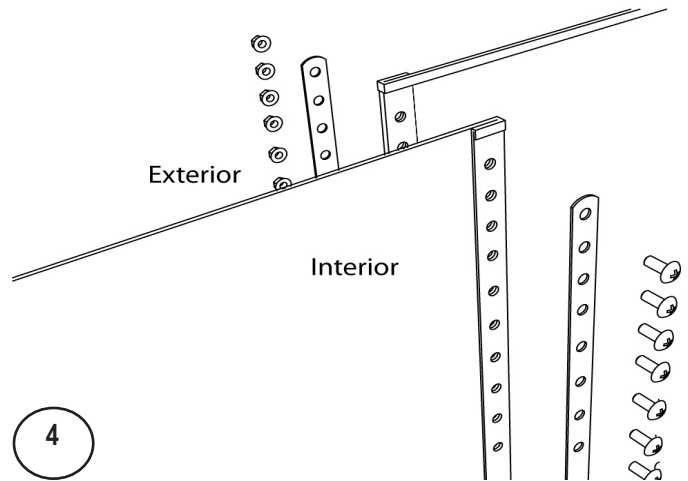
Section 3

GENERAL INSTRUCTIONS - ROUND POOLS ASSEMBLING THE POOL WALL

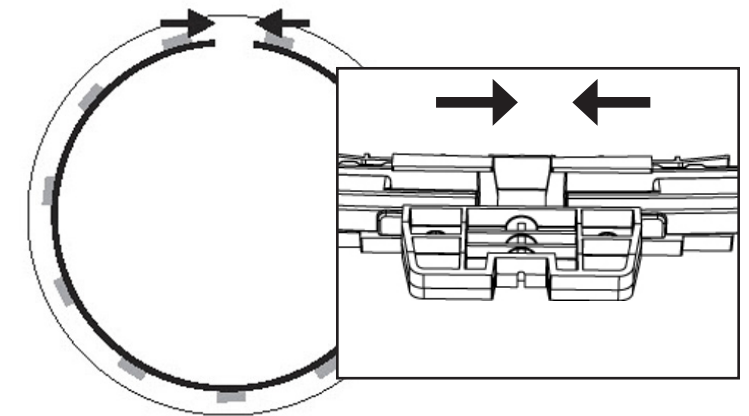
A. CONT. SETTING UP THE POOL WALL

3. Join the ends of the pool wall

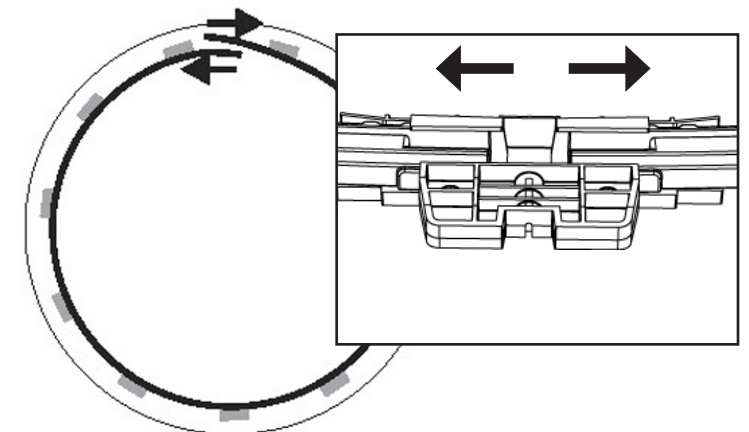
- a. Line up the holes in the two ends of the pool wall.
(Image 4)
 - b. Now that you have installed the wall you can be faced with three scenarios.
 - 1) The wall joints align perfectly, if so, move on to the next step (c).
 - 2) Your wall appears to be too short. **It is not.** However the space between the bottom rails must be decreased by lightly tapping the bottom plates towards the inside of the pool. You can also tap the wall lightly with both hands in the desired direction. **(Image 5)**
 - 3) Your wall appears too long. **It is not.** However the space between the bottom rails must be increased by tapping the bottom plates lightly towards the outside of the pool or by tapping the wall with both hands in the desired direction. **(Image 6)**
- You **MUST** recheck the gaps at each and every one of the bottom rails so that they are all equal in gap size.
- 3) Your wall appears too long. **It is not.** However the space between the bottom rails must be increased by tapping the bottom plates lightly towards the outside of the pool or by tapping the wall with both hands in the desired direction. **(Image 6)**
- You **MUST** recheck the gaps at each and every one of the bottom rails so that they are all equal in gap size.



4



5



6

⚠ Important Note:
Bottom rails must always be held in place in the bottom plate.

⚠ Important Note:
You **MUST** recheck the gaps at each and every one of the bottom rails so that they are all equal in gap size.

Section 3

GENERAL INSTRUCTIONS - ROUND POOLS ASSEMBLING THE POOL WALL

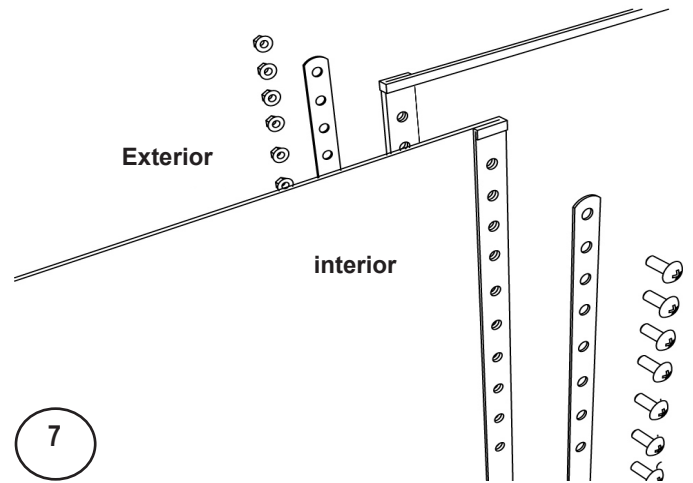
A. CONT. SETTING UP THE POOL WALL

- c. To fasten the wall joint, overlap the two steel bars, one on the inside and the other on the outside. Tighten the mechanical screws on the inside and the nuts on the outside. Ensure that all bolts and all the holes are used. **(Image 7)**



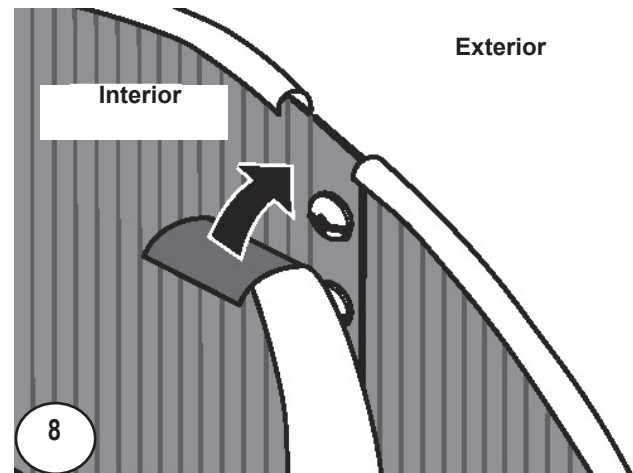
Important Note:

Stick a screwdriver through two of the holes to help line up the ends of the wall.



When tightening the screws start from either the top and go down or vice versa. Do not start a few screws from top and a few from the bottom to meet in the middle, this can cause problems later on.

- d. Adjusting the pool to the proper shape may cause the bottom rails and bottom plates to slip out of alignment a little. Recheck all of the bottom plates to make sure each one is centred where the bottom rails meet.
- e. Cover the seam and bolt heads on the inside/interior of the pool wall completely with 2" (50mm) duct tape. **(Image 8)**



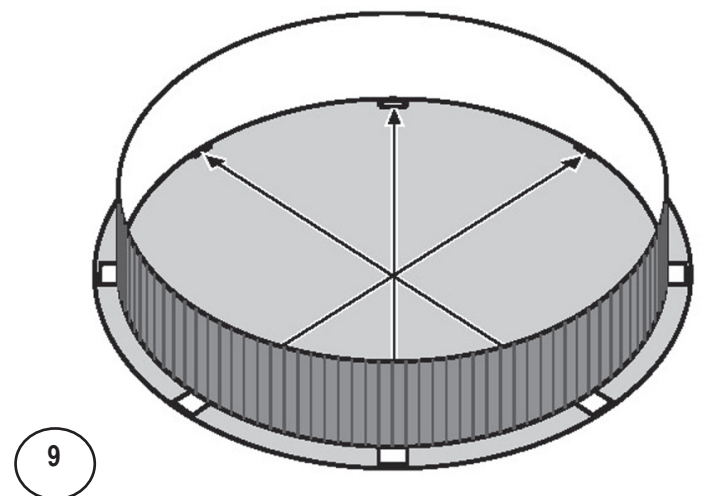
4. Make sure the pool wall is round

- a. Using a tape measure, measure across the circle at each bottom plate. The pool wall must be round. Adjust the circle by nudging the base plates in or out with your foot. **(Image 9)**



Important Note:

The pool must be level across the perimeter. A pool that is not level is dangerous and may collapse.



Section 3

GENERAL INSTRUCTIONS - ROUND POOLS ASSEMBLING THE POOL WALL

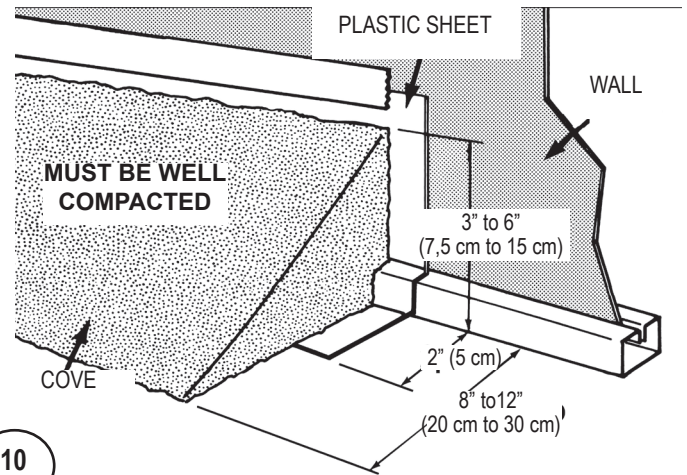
B. ASSEMBLING THE COVE

1. Make the cove

- If you are using sand, bank the sand against the wall to form a cove of 3" to 6" (7.5cm to 15cm) high and 8" to 12" (20cm to 30cm) wide at ground level. This will prevent the liner from creeping under the wall, and it will also protect the liner from any metal edges of the pool framework. **THIS STEP IS NOT OPTIONAL, IT MUST BE DONE. (Image 10)**

NOTE: If a smaller cove (less than 3" (7.5cm)) is made along with using a very tight liner, this will buckle the wall.

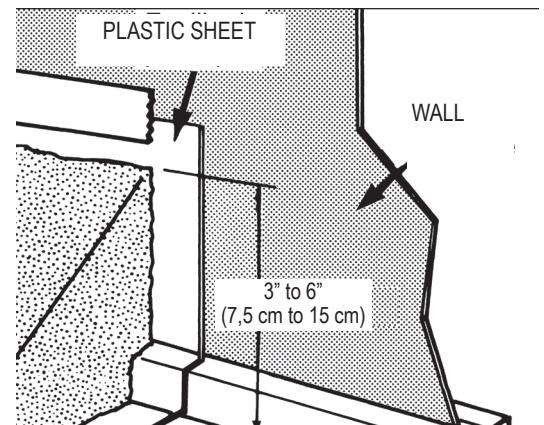
- Water the sand to compact it and use a trowel to spread it evenly. (Image 11)
- Since earth containing chemicals can cause discoloration or corrosion, it is suggested that you place **polyethylene plastic sheeting** under the cove around the perimeter of the wall, so no earth comes in contact with the metal. Since the presence of such chemicals is beyond the control of the manufacturer, such damage is not covered under warranty. (Image 12)
- If you are using styrofoam cove pieces instead of sand, insert them in the bottom rail and refer to the installation instructions that are provided with them.
- Proceed to your liner instructions and after liner installation proceed to Section 4-Installing the pool frame.



10



11



12



Important Note:

The cove is an important part of the pool structure. Take your time to make a complete, full-size cove.



IMPORTANT INFORMATION ABOUT YOUR LINER

We do not make or supply liners for our pools.

Please contact your liner's manufacturer with questions or if instructions are not included with the liner.

Liner must be installed per the liner manufacturer's instructions.

Incorrect liner installation may void the warranty.

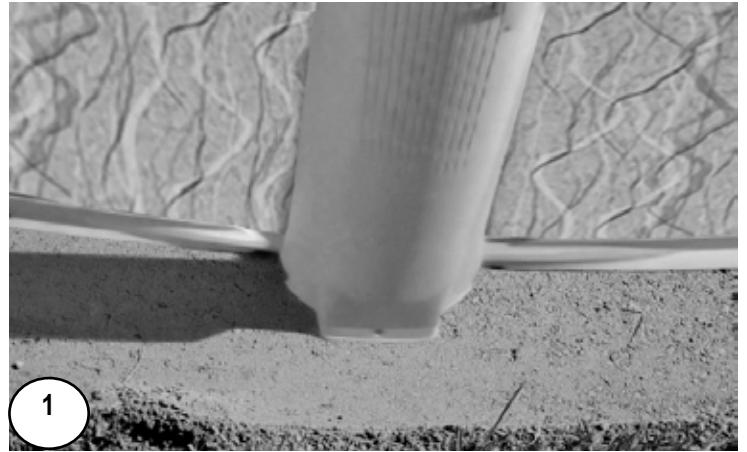
Section 4

GENERAL INSTRUCTIONS - ROUND POOLS ASSEMBLING THE POOL FRAME

A. INSTALLATION OF THE UPRIGHTS

1. Install the uprights

- a. The wall joint is hidden behind the upright on most pools. This assures that the skimmer and skimmer return holes are not obstructed.
- b. Slide the base of the support post into the front part of the bottom plate. **(Image 1)**
- c. Secure the support post with a screw (2PPS112) in the opening at the base of the post. **(Image 2)**



Important Note:

Ensure to leave a gap between the two bottom rails.

See Diagram:

Please refer to your pool's footprint (Section 1, last page) for gap measurement.

Section 4

GENERAL INSTRUCTIONS - ROUND POOLS ASSEMBLING THE POOL FRAME

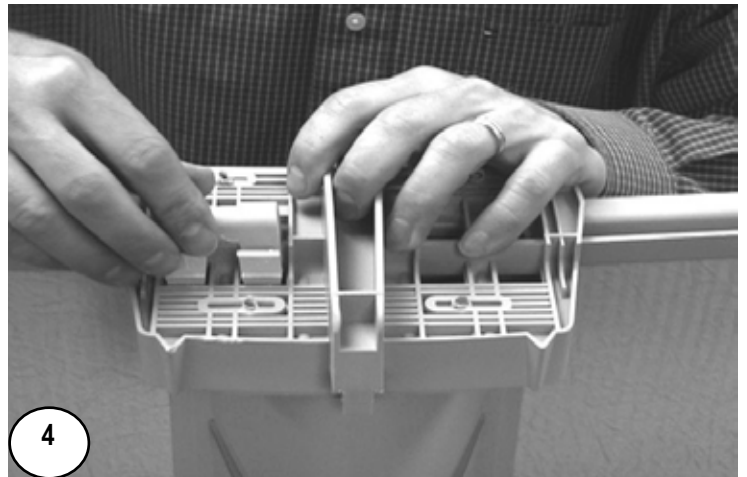
B. INSTALLATION OF TOP LEDGES AND LEDGE COVERS

1. Install stabilizers and top plates

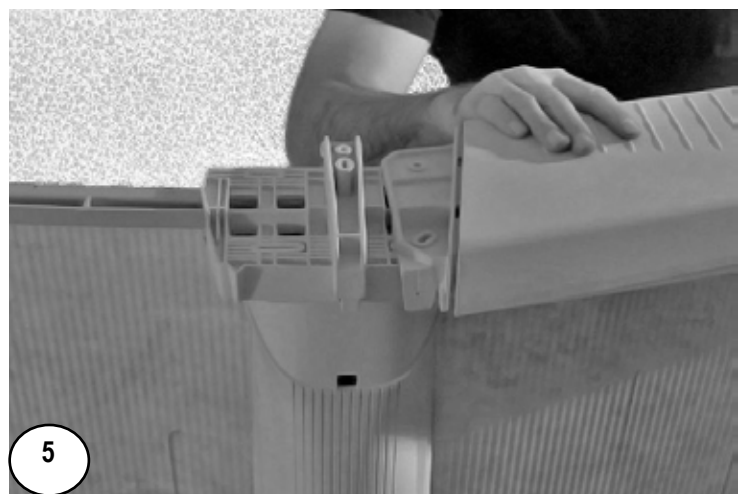
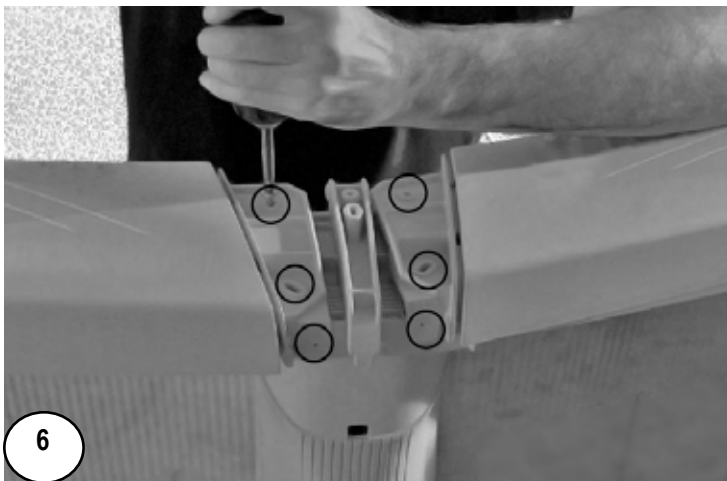
- a. Install the stabilizer on the wall while ensuring to leave a gap between each end. **(Image 3)**
- b. Align the upright on the wall and insert the upright clips. The upright clips snap onto the top of the upright by applying pressure thus securing the wall and the upright together. **(Image 4)**

2. Install top ledges

- a. Position and place the top ledge on the upright. The top ledge must be pushed toward the inside part of the pool and the openings on the top ledge must align with the holes on the top of the upright. **(Image 5)**
- b. Insert partially the 3/4 inch screws (6 x V12x34) on the top. Distribute evenly the space between the top ledges to center them between the uprights.
- c. Make sure to level the two axes of the uprights by pushing slightly inwards before tightening the screws permanently. **(Image 6)**



⚠ Important Note:
We suggest that you install all the top ledges on the wall before attaching them.



⚠ Important Note:
Ensure to leave a gap between the two stabilizers.

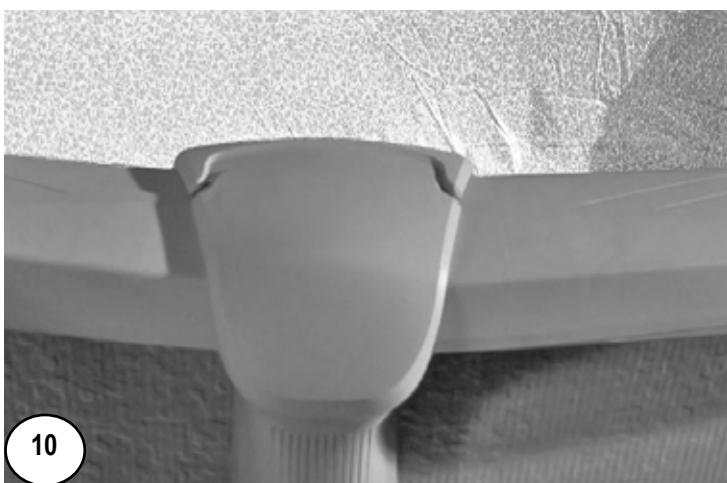
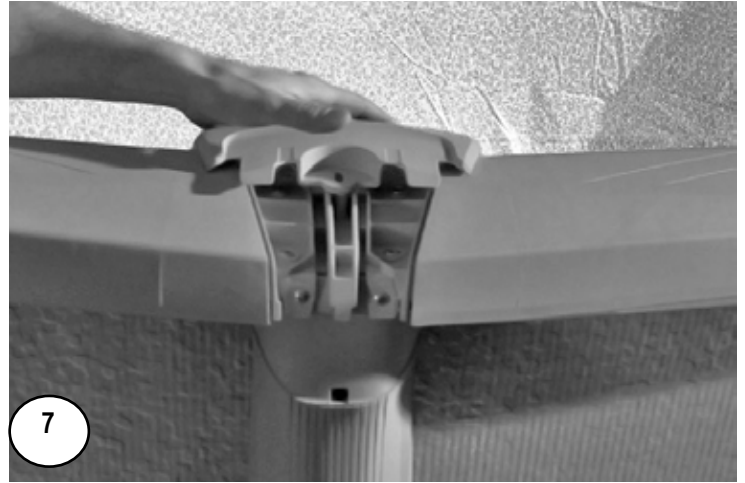
Section 4

GENERAL INSTRUCTIONS - ROUND POOLS ASSEMBLING THE POOL FRAME

B. CONT. INSTALLATION OF TOP LEDGES AND LEDGE COVERS

3. Install the ledge covers

- a. Take the rear part of the ledge cover and insert the hooks underneath the top ledge. **(Image 7)**
- b. Topple over the rear part of the ledge cover and align the screw hole with the one on the upright. Attach with a 3/4 inch screw (V12x34). **(Image 8)**
- c. Take the front part (outside of the pool) and slide it on the top ledges and ensure that the rear part ends are inserted in the front part. **(Image 9)**
- d. The two wings of the front part must be inserted in the openings on the sides of the upright. The front cap hook must also be inserted in the upright front hole. **(Image 10)**



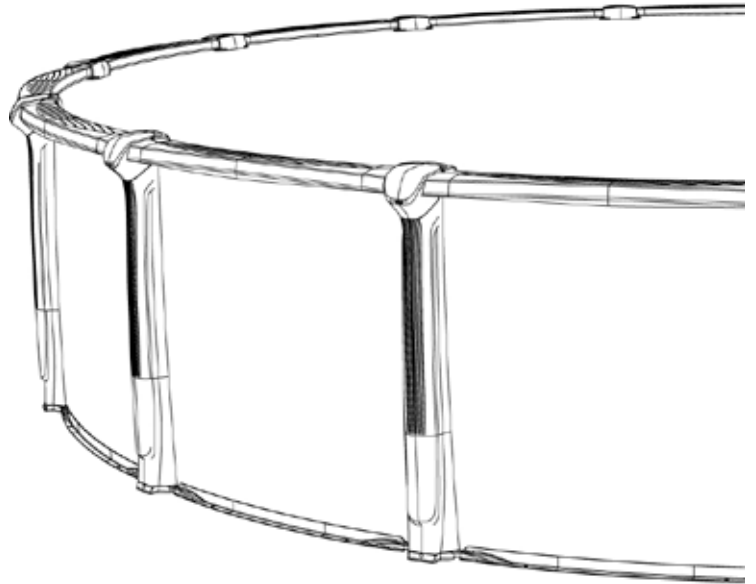
Section 4

GENERAL INSTRUCTIONS - ROUND POOLS ASSEMBLING THE POOL FRAME

C. FILL YOUR POOL WITH WATER

1. Finish filling the pool

- a. Fill the pool with water to 2" (5cm) below the lowest opening. Make sure you remove any creases from the liner in the bottom of the pool before the water level gets too high.
- b. While the pool is filling, remove the nails that were holding the bottom rails in place.
- c. Your pool is now installed. You must now install the filter and pump, the skimmer and water return inlet. Please follow the installation instructions that come with these products.



Important Note:

Before making any openings in the liner, fill the pool with 60cm (24") of water to stretch the liner fully. When filling your pool, begin with a garden hose until there is about 30cm (12") of water in the pool. This will allow the liner to stretch gradually. You can then use a heavier flow to finish filling it up.

IMPORTANT:

Make sure that your pool is round, do not assume that by filling up the pool that this will help the pool to place itself into a perfect round circle. Ensure that it is round before filling up the pool with water.

IMPORTANT SAFETY INFORMATION:

Please refer to the safety page at the beginning of this instruction manual. You must follow the rules and information regarding placement of safety stickers on your pool.

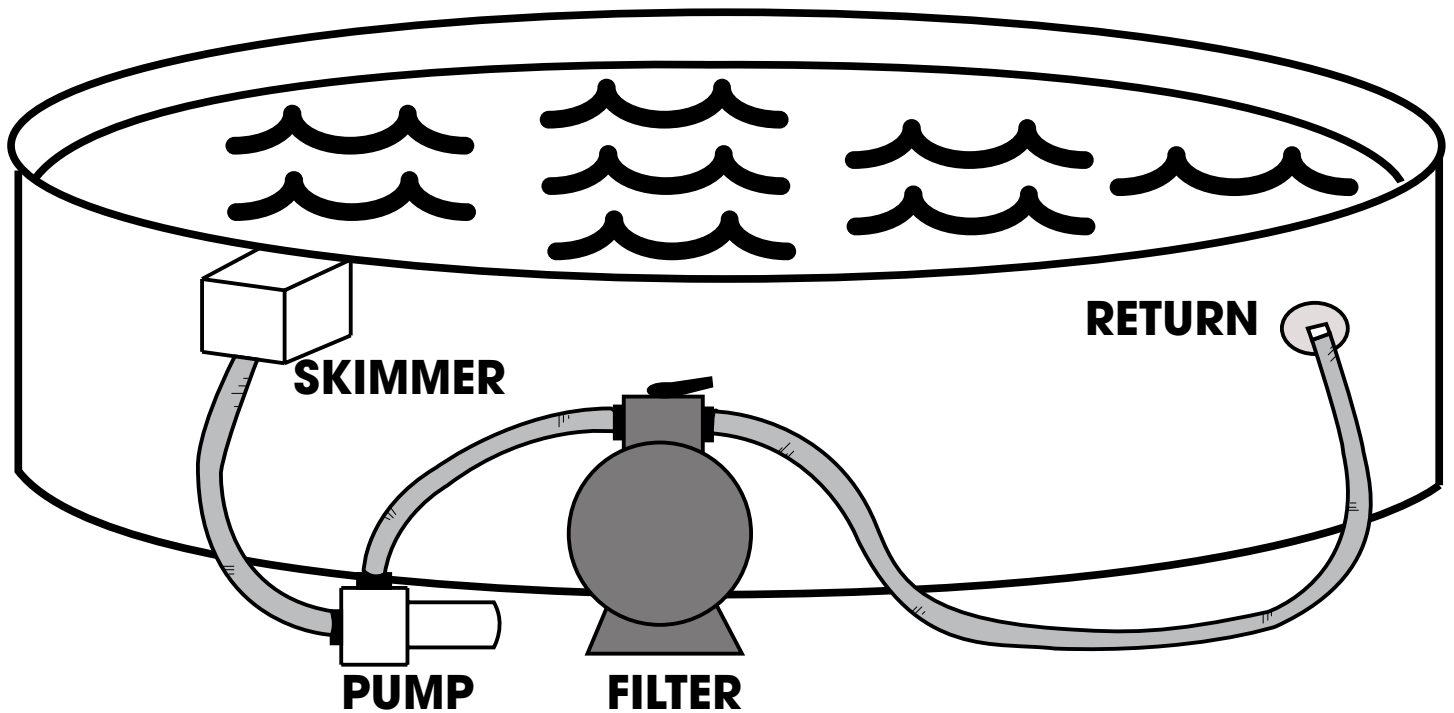
Section
4

GENERAL INSTRUCTIONS - ROUND POOLS
ASSEMBLING THE POOL FRAME

D. BASIC FLOW OF SYSTEM

1. How the system flow should look like

- a. When assembled your pool should have a basic flow system as in this image, **PLEASE CONTACT YOUR DEALER** for more specific instructions.



Section 5

POOL MAINTENANCE

POOL MAINTENANCE

Keep your pool wall and frame clean. Always wash away any deposits of pool chemicals which land on the frame of your pool. Wash periodically with a mild soap solution (no abrasives). At least once a year use a clear non-yellowing household wax on all metal components.

Your pool and liner must be inspected regularly for leaks, corrosion, scratches, and punctures. If any problem is found **IMMEDIATE CORRECTIVE ACTION MUST BE TAKEN**. Small repairs and punctures in your liner may be easily repaired using repair kits available at your local dealer. Scratches on your pool wall & frame must be touched up with anti-rust enamel. Wire brush all rust and add a coat of enamel primer followed by a coat of color matching paint. Pool water is full of various caustic chemicals, which will corrode metal parts. If any corrosion is allowed to continue, failure of the pool structure may occur which could result in excessive property damage as well as bodily harm.

The skimmer & return area and below it are particular areas that must be carefully and regularly inspected. If this area is wet, and remains wet for any length of time, it usually means there is a small leak. Skimmer/skimmer return gaskets must be replaced when they become defective. Water must not be permitted to continually run down the wall, if neglected pool will break. If proper skimmer/skimmer return gasket care is not maintained, your warranty will be void!



Important Note:

Be sure to follow all local and state safety regulations when installing any accessory to your pool. Any decks, and all entries, must be carefully monitored for safety and access to pool. Installing any other manufacturer's deck or slide is strictly forbidden!

WINTERIZING YOUR POOL

Along with the cool nights of autumn comes the end of the swimming season. During the winter your pool is subject to more stress than in the summer, and any breakage that is caused by incorrect winter procedures is not subject to any warranty with this company.

All of our pools are designed to be left up all winter, but nonetheless are subject to the warranty that was purchased. Continue to chlorinate and filter until the pool is closed down. If you follow our recommendations, you will be able to winterize your pool properly in a few hours.

Properly winterizing your pool will protect it from damage and make it easier for you to reopen it when spring arrives.

The key to fast and easy winterization lies in regular treatment of the water until the start of the cold season, even if you haven't been using the pool.

Routine maintenance becomes easier and less frequent as the water gets cooler. In order to keep the water clean and clear and to prevent the liner from staining, we recommend closing your pool as late as possible, i.e. toward the end of September when the water temperature is about 10°C (50°F).

Waiting until you have finished closing the pool before shutting off the filtration system will prevent hoses still connected from freezing.

Follow the instructions on the following pages or contact your retailer for further information to ensure that you are protecting your pool properly.



CLOSING YOUR ABOVE GROUND POOL FOR THE WINTER

At the end of the season, you must follow these directions to make your pool ready for the winter. For areas where water freezes make sure to follow these instructions before the water is frozen, otherwise do not touch the frozen water, this may damage the pool.

STEP 1) PRIOR TO CLOSING

- a. Several days prior to closing your pool, test the water for the ph level, total alkalinity, and chloring. The water balance is important to protect the pool from corrosion or scale build-up during winter shut down.

STEP 2) PERFORM A COMPLETE INSPECTION

FINDING LEAKS

- a. Towards the end of the summer season or around mid-August, check for leaks by verifying if the pool's water level is stable. Draw a line on the liner marking the water level and wait 10 days. If after 10 days the level has dropped, then there is a leak. It is important to seal off any leaks you find. Leaks left unsealed when freezing begins can seriously damage your pool and even cause it to collapse.
- b. Vacuum carefully to remove all leaves and debris.

CHECK THE LINER

- a. Make sure the top of the liner is still attached to the pool wall. make sure there are no leaks. Repair any liner holes with a vinyl patch: any small punctures in the liner can be easily repaired with underwater repair kits available at your local retailer. Do not remove the liner from the pool, as removal of the liner will void the existing warranty.

CHECK ALL JOINTS AND SCREWS

- a. Make sure all the frame joints are fitting together properly and make sure the pool wall has not shifted from the bottom rail. Ensure all screws and bolts are tight.

CHECK FOR RUST

- a. Periodically inspect the metal parts for any corrosion especially around the skimmer area. If corrosion is found, immediate corrective action must be taken. Wire brush any rust and add a coat of enamel primer followed by a coat of color matching anti-rust enamel paint. Pool structure failure could result in major property damage and bodily harm. Paint any scratches with anti-rust paint.

CLOSING YOUR ABOVE GROUND POOL FOR THE WINTER CONTINUED

STEP 3) ADD CLOSING CHEMICALS

- a. To maintain water quality, use a winter kit which contains an algicide and chlorine especially designed for this purpose. When it's time for spring cleaning, this will save you hours of work and reduce the cost of chemicals needed to restore your water quality.
- b. If your pool has a bottom drain, you will have to use pool antifreeze to prevent it from freezing during the winter. Unscrew the hose from the base of the skimmer and attach an extension. Pass the extension over the wall of the pool, making sure it remains well attached. Pour antifreeze into the extension. Leave the valve open so that water can drain from the skimmer.

STEP 4) LOWER THE WATER LEVEL

- a. Lower the water level so as to leave between 6 to 20 inches (15cm to 50cm) below the water return. You may plug the return jet hole at this time. ****IMPORTANT**DO NOT PLUG THE SKIMMER DRAIN HOLE** (located at the base of the skimmer). Remove all hoses attached to the skimmer and return fittings. Do not let water freeze in the skimmer. Leave the skimmer attached to the pool wall and ensure that the skimmer lid is installed. **DO NOT DRAIN ALL THE WATER OUT OF THE POOL.**
- b. Depending on your area and if the freezing point is more aggressive, for example 50% is frozen into ice, we strongly suggest to lowering the water to lowest point. Depending on how great the deep freeze in your area **we suggest you consult with your local dealer about procedures on lowering the water level throughout the winter.** We also suggest throughout the autumn season to continually check this level before freezing season starts, as it must not reach the skimmer holes at any time during the winter. Remove any snow which may accumulate on the top ledge.

STEP 5) FILTER PREPARATION

- a. Disconnect the hoses from the filter. Remove and store the filter, ladder and all other removable parts from around the pool. The filter should be clear of any foreign objects and water should be removed from the filter and pump. See the manufacturer's instructions. Store the pump in a temperature controlled environment (so that it is not damaged by changes in temperature).

STEP 6) WINTER COVER

- a. For the winter cover we suggest to lower the water level to 1 inch (2.5cm) below the water return. In some areas your dealer may ask you to install it differently in order to protect the pool and the cover. Contact your local dealer to verify the correct procedure for your pool.
- b. If using a winter cover, make sure to place a ball underneath so that rainwater falls into the pool. An accumulation of too much water on the cover could place pressure on the pool, causing damage and invalidating the guarantee. Depending on how great the deep freeze in your area we suggest you consult with your local dealer about procedures on leaving the pool cover throughout the winter.

CLOSING YOUR ABOVE GROUND POOL FOR THE WINTER CONTINUED



IMPORTANT

Never let more than 30 cm (1') of snow accumulate on the pool wall; the wall is designed to support the lateral pressure of the pool water, not vertical pressure. With spring thaw, if water leaks from the skimmer or return outlet opening, place a tube at the opening so that the water will run off as far away from the basin of the pool as possible. PLEASE NOTE: Do not strike or hit a frozen pool. This would damage it. Do not disturb the pool till spring. If you have left the winter cover on the pool, make sure to remove accumulated snow after heavy snowfalls.



Important Note:

Whatever the type of valve or extension hose used, you must follow the technique described in this document to close your pool, otherwise your guarantee may be cancelled. Make sure to use antifreeze designed for pools.



Important Note:


An unsealed leak may comprise or cancel the guarantee on your pool.
Never leave water in any of the filtration system components due to the risk of damage during freezing.

PREPARING YOUR POOL IN THE SPRING

At the end of winter, allow the ice in the pool to thaw completely. When the temperature reaches approximately 10 °C (50 °F), you have to restart your filtration system, since algae and bacterial form more quickly as it gets warmer. Here is how to prepare your pool in a few simple easy steps.

- a. If your pool is equipped with a pool cover, remove the cover and cushion. Carefully remove with a hose any rainwater that has accumulated on the cover so it does not fall into your pool. Clean your cover and cushion and let them dry. Store them in a dry clean place.
- b. Attach the return inlet and skimmer to the filter. Bring the water level up to the middle of the skimmer. Get your filter working. Clean the bottom of the pool with the vacuum, taking care to place the filter in the “waste/drain” position. In this way you will eliminate particles of dirt without disturbing the sand in the filter, and will considerably reduce the need for “backwash rinsing” of the filter.
- c. Now that you have purified the water, you have to test it. It is very important that the pH level of your pool be between 7.6 and 7.8 and the pool’s alkaline content be between 80 ppm and 130 ppm. If you are unable to attain these levels, please contact your retailer who will gladly do these tests for you.



 **Important Note:**
Do not drain your pool to clean the water unless absolutely necessary (the water is recyclable). If you do empty your pool, don't leave it empty for too long or expose it to direct sunlight, as the liner may shrink.

PREPARING YOUR POOL IN THE SPRING CONTINUED

- d. When the pH and alkaline levels are ideal, apply a shock-treatment or chlorinate your water. Let it filter for 24 hours and again verify both the pH and free chlorine levels.
NOTE: Add chemical products to your pool after sunset, as sunlight rapidly destroys chlorine.

- e. Let it filter for several days until the water is clear and the pH and free chlorine levels have stabilized. Add a conditioner/stabilizer by carefully following the manufacturer's instructions. This will stop the chlorine from evaporating quickly in sunlight. Add the quantity of algicide required to prevent algae.

- f. You may now begin regular maintenance of your pool. Don't forget to obtain a new set of solutions for your water analysis kit every spring. The old solutions may give false results.

- g. Make sure that the skimmer (screws and adapter) is properly in place and tighten the water return fittings to prevent leakage and premature rusting of the pool wall or the lower part of the bottom rail.

HAVE FUN!



IF YOU FOLLOW THESE TIPS AND ASK YOUR DEALER FOR ANY OTHER ADVICE YOU MAY NEED, YOU WILL HAVE ALL THE INFORMATION NECESSARY TO GET YOUR POOL OPERATING AGAIN.