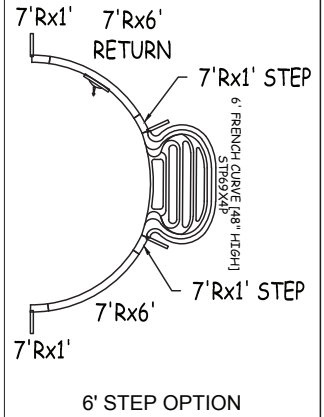
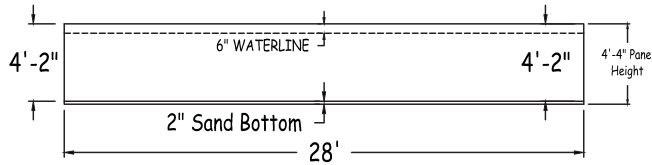
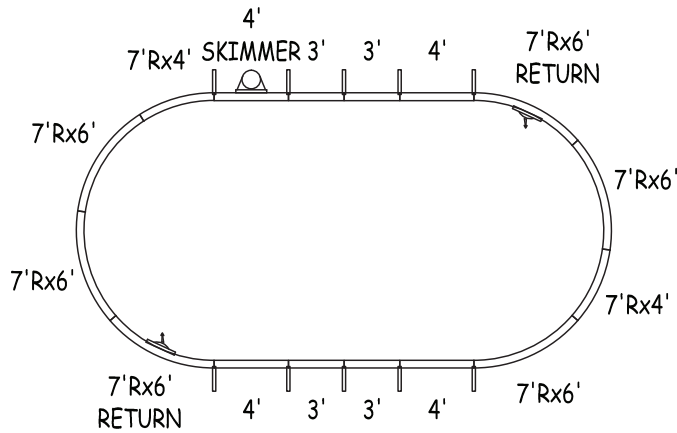
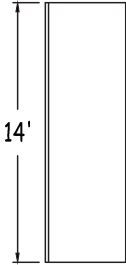


IN ACCORDANCE WITH ANSI/APSP/ICC-5 2011, THE INSTALLER IS RESPONSIBLE FOR PLACING ONE SKIMMER FOR EVERY 800 SQUARE FEET OF SURFACE AREA AND ONE RETURN FOR EVERY 300 SQUARE FEET OF SURFACE AREA.



**Bartop**  
OG Pool System

**OVAL-FLAT BOTTOM 14-0 X 28-0**

52" STEEL PANELS	PERIMETER:	72'-0"	VOLUME (US Gal):	9600
DWG#:	SURFACE (ft²):	350	VOLUME (Liters):	36300
B50VFBS1428-16	LINER (ft²):	392	DATE:	1/1/2016
KIT#:	COVER (ft²):	480	DSR:	160
			SCALE:	1/8" = 1'-0"



**NON-DIVING POOL**

USE OF DIVING EQUIPMENT IS PROHIBITED

MEETS DEPTH AND SHAPE MINIMUM STANDARD ANSI/APSP/ICC-5 2011

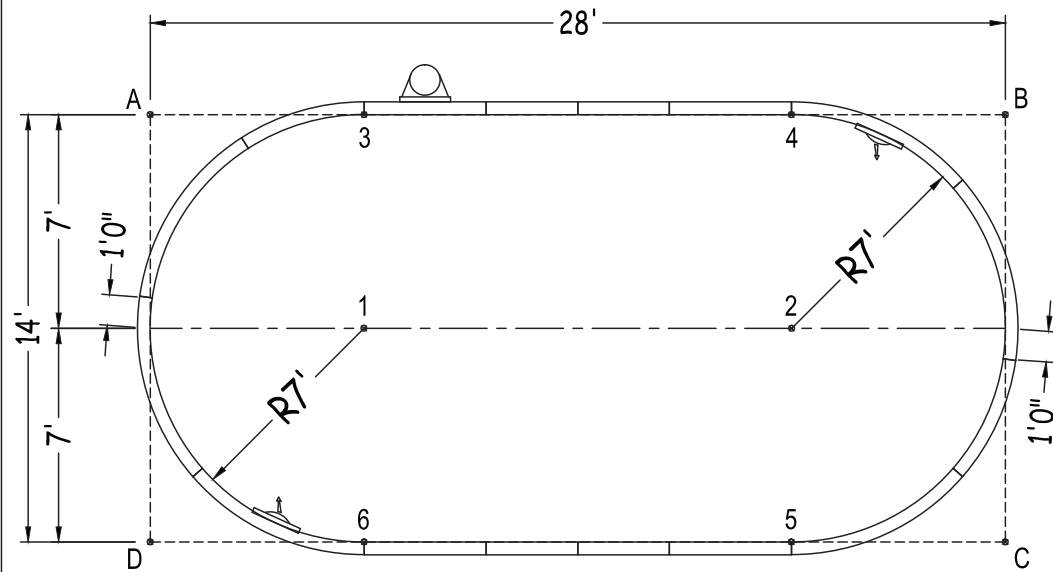
**WARNING!**

FOR WARRANTY AND SAFETY PURPOSES:  
Compression straps required  
(NOTE: 4 straps per panel, both sides of panel)  
Bolts must be used at every bolt hole location.

**OVAL-FLAT BOTTOM**

SHEET: 1 OF 2

Center To Center	
1 To 2	14'-0"
Diagonals	
3 To 4	14'-0"
3 To 5	19'-9 1/2"
3 To 6	14'-0"
4 To 5	14'-0"
4 To 6	19'-9 1/2"
5 To 6	14'-0"



Part number	Description	Qty	
		Base	Option 1
ST048000X	4'	3	3
ST048000*	4' SKIMMER	1	1
ST036000X	3'	4	4
RA0720840X	7'Rx6'	4	3
RA0720840*	7'Rx6' RETURN	2	2
RA0480840X	7'Rx4'	2	1
RA0120840X	7'Rx1'	-	2
RA0120840S	7'Rx1' STEP	-	2
RA072102SC	6'0"X4" STEP CONNECTOR	-	1
Brace	Brace	10	12
IPC-DRVSTK12G	BRACE COMP D-STK 3"X24" 90D 12G	10	12
IPC-BT52WCS-2	COMPRESSION STRAP 2PC	32	38
IPC-STKPK25	REBAR STAKE 18" 25PC	2	2
IPC-HDWSTRT150	BOLT STR 3/8-16X1" C/W NUT 150PC	2	2
STP69X4P	ACRYLIC STEP FRENCH CURVE 6' (48")	-	1
CYW-CLIP-1	Coping Clip	12	0
COP-TSPK100	Tek Screw (100/PKG)	1	0
CYW-ST120000-1	BT WHT 10' 0" STRAIGHT 1PC	2	0
CYW-ST048000-1	BT WHT 4' 0" STRAIGHT 1PC	2	0
CYW-RA096084-1	BT WHT, 8' 0" X 7' 0" RADIUS 1PC	4	0
CYW-RA072084-1	BT WHT, 6' 0" X 7' 0" RADIUS 1PC	2	0
CYW-INSRT00PFT	BT COPING, WC TRK COVER PER FT	80	0

	A	B	C	D
1	9'-10 3/4"	22'-1 3/4"	22'-1 3/4"	9'-10 3/4"
2	22'-1 3/4"	9'-10 3/4"	9'-10 3/4"	22'-1 3/4"
3	7'-0"	21'-0"	25'-3"	15'-7 3/4"
4	21'-0"	7'-0"	15'-7 3/4"	25'-3"
5	25'-3"	15'-7 3/4"	7'-0"	21'-0"
6	15'-7 3/4"	25'-3"	21'-0"	7'-0"
A	-	28'-0"	31'-3 3/4"	14'-0"

OVAL-FLAT BOTTOM 14-0 X 28-0

DWG #: B5OVFBS1428-16

DATE: 1/1/2016

SHEET: 2 OF 2