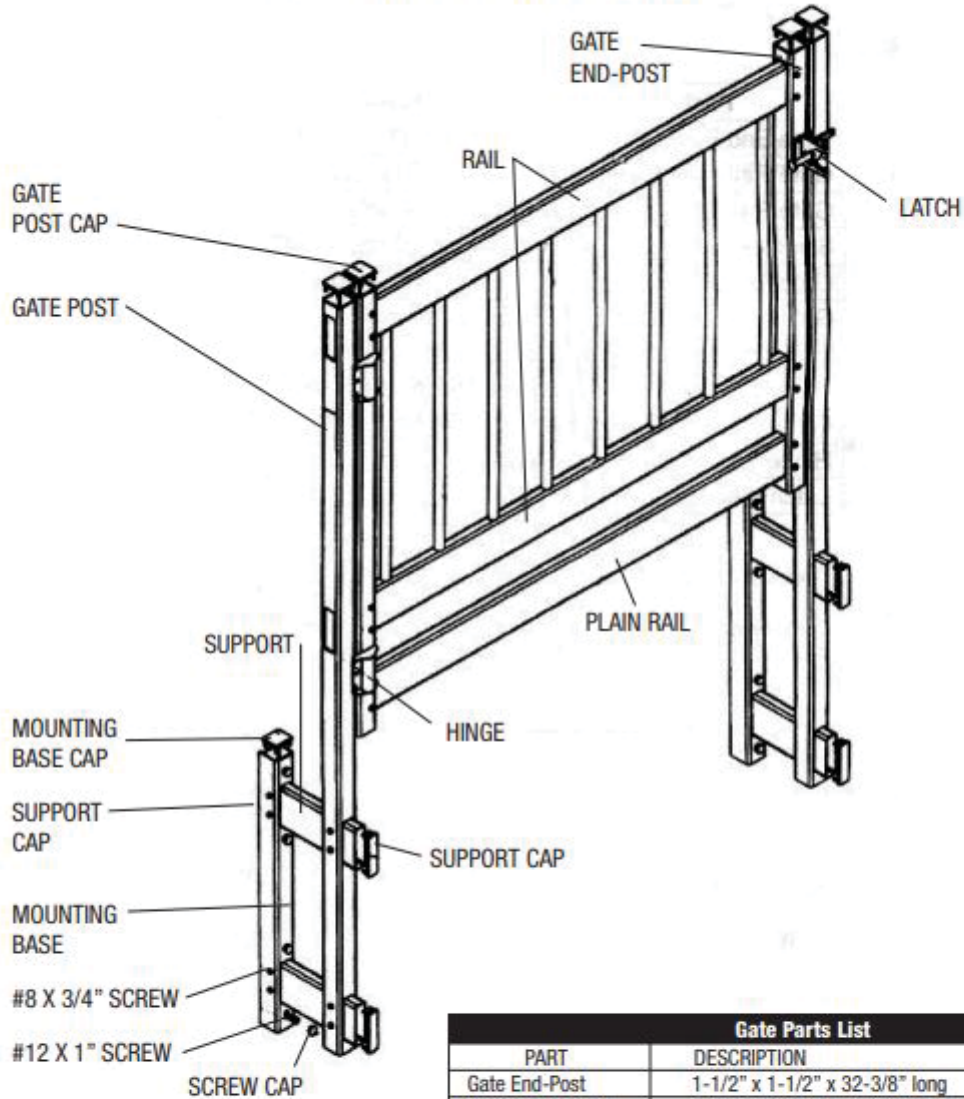


Gate Parts List



| Gate Parts List | | |
|---------------------|--------------------------------|----------|
| PART | DESCRIPTION | QUANTITY |
| Gate End-Post | 1-1/2" x 1-1/2" x 32-3/8" long | 2 |
| Gate Rail (drilled) | 7/8" x 3-1/8" x 37-3/4" long | 2 |
| Gate Rail (plain) | 7/8" x 3-1/8" x 37-3/4" long | 1 |
| Spindles | 5/8" O.D. x 22-3/8" long | 8 |
| Gate Post | 1-1/2" x 1-1/2" x 55" long | 2 |
| Gate Support Base | Support Base Mold x 20" long | 2 |
| Support | 7/8" x 3-1/8" x 7-1/2" long | 4 |
| Hardware Kit | Base Kit Hardware Pack | 1 |
| Trim Kit | Add-on Trim Kit | 1 |
| Hinge | Stanley Hinge Kit | 2 |
| Latch Mechanism | | |

Above Ground Pool Fence Gate Installation Instructions

STEP 1

Construct gate mounting bracket. Slide supports into mounting base (DIAGRAM 1). Screw (2) #8 x 3/4" screws into both sides of each support attaching it to the mounting base. Support should be inserted flush to the backside of the mounting base.

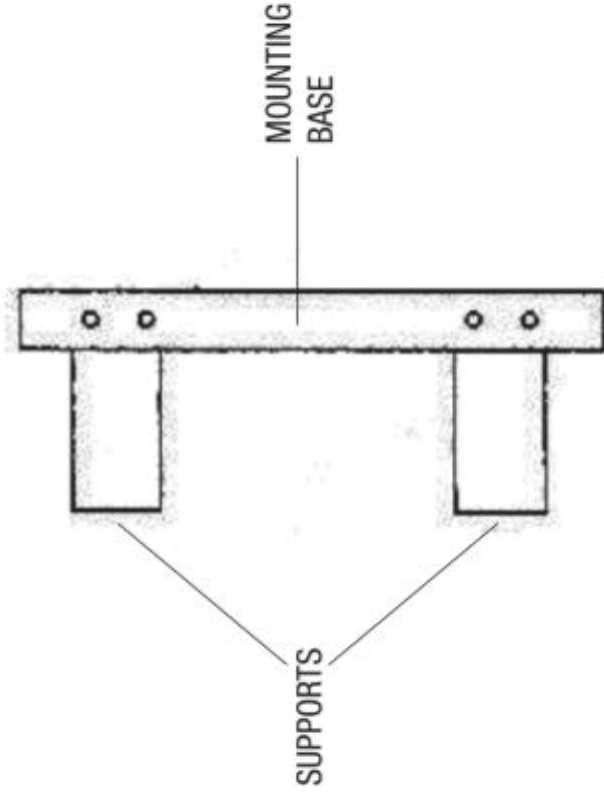


DIAGRAM 1

STEP 2

Determine location of gate. Maximum width is 38". Installation of "Artificial Upright" may be required. Refer to step 2-B of "Above Ground Pool Fence Installation Instructions" (page 3).

STEP 3

Install gate mounting brackets to each designated upright. If Doheny's Water Warehouse fence has already been installed, remove one end post and support, replace with gate mounting bracket and gatepost. If fence has not been installed, follow step 2-A of "Above Ground Pool Fence Installation Instructions" (page 3) for installing mounting brackets using (4) #12 x 1" self-trapping screws.

STEP 4

Install gate posts (DIAGRAM 2). Slide gateposts onto gate mounting brackets. Allow at least 1/2" between the post and the pool's top cap. These will allow for easy installation of winter cover. Attach gatepost to gate mounting bracket using (8) #8 x 3/4" screws.

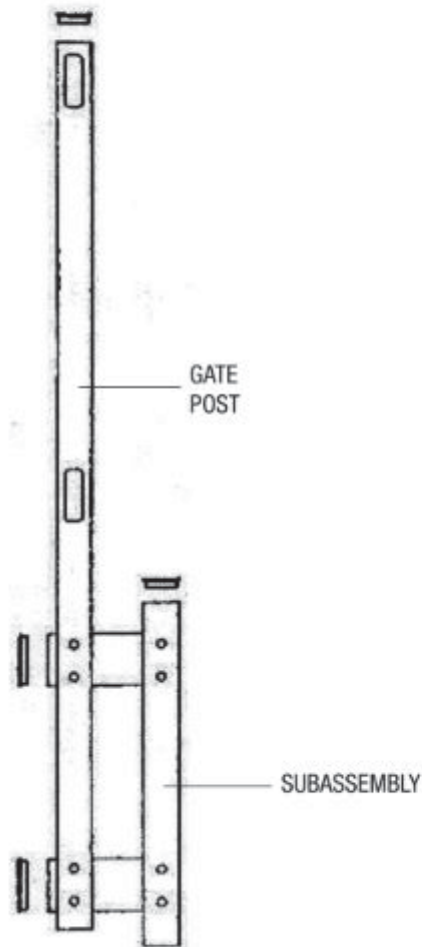
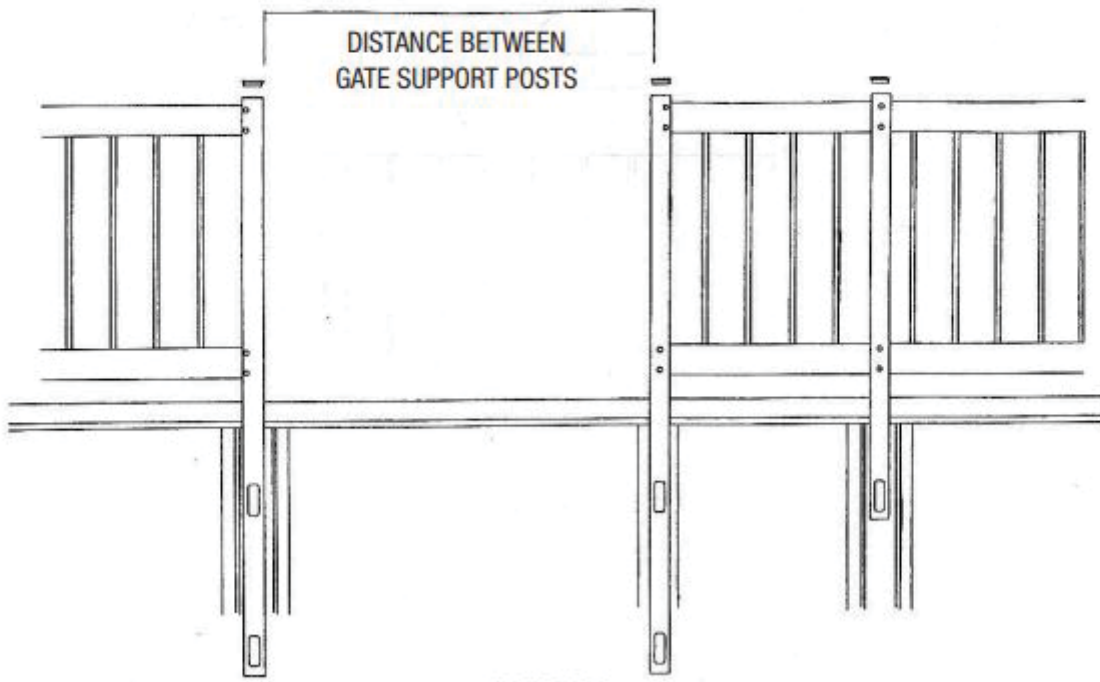
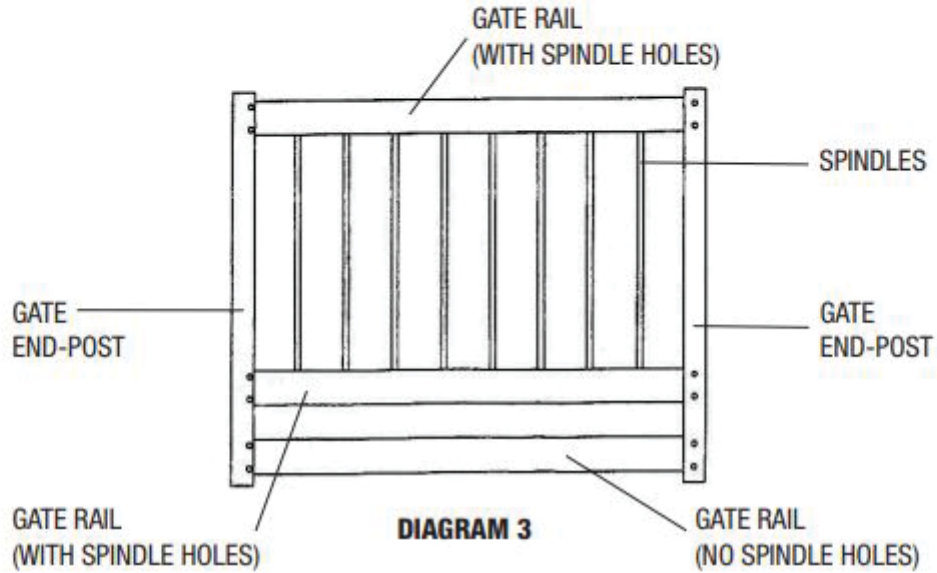


DIAGRAM 2

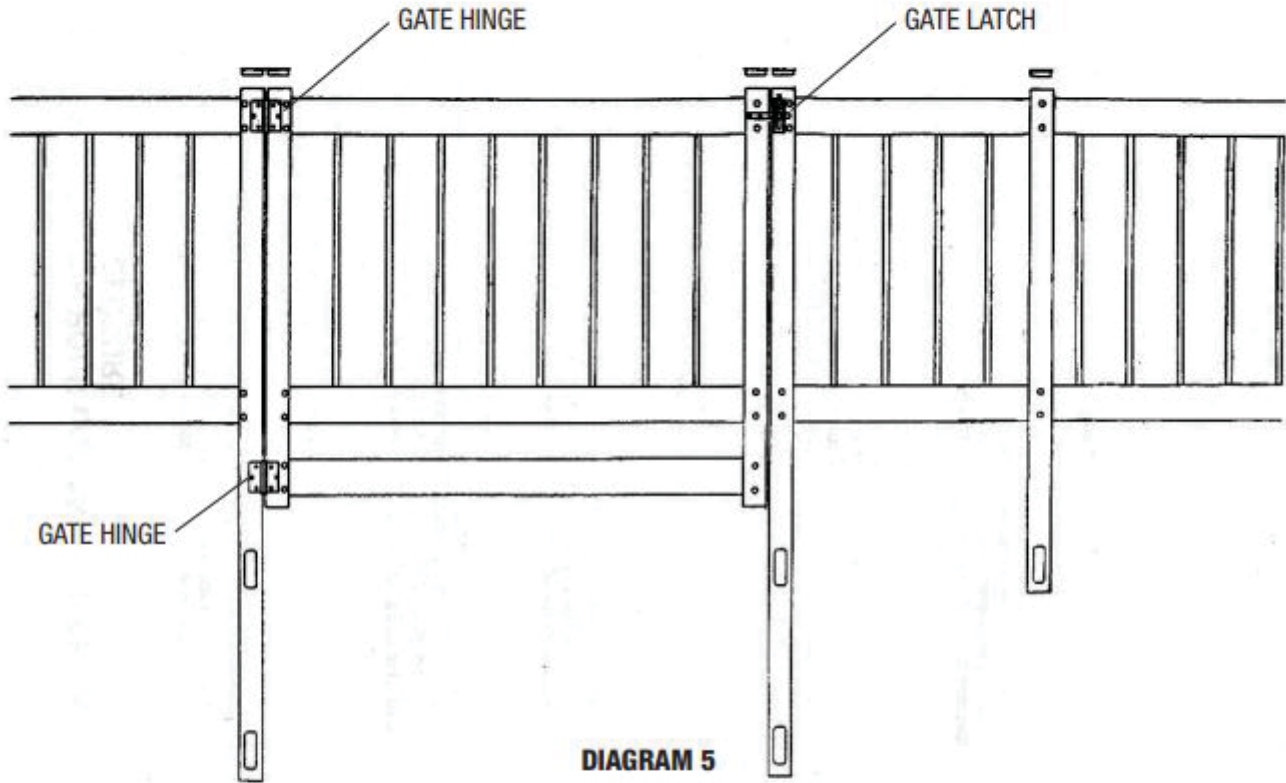
STEP 5

Construction of the gate (DIAGRAM 3). Measure distance between gate support post and subtract 1/2". Cut gate rails to this measurement. Note: Cut equal amounts off each end of rail to ensure balanced spacing of spindles. Install gate rails and spindles (DIAGRAM 3), but do not attach with screws yet. Measure width of gate to be sure gate will fit between gate support posts (DIAGRAM 4), and that gate is perfectly square. Attach gate rails to gate end-posts using (2) #8 x 3/4" screws per attachment point.



STEP 6

Install gates hinges and latch (DIAGRAM 5). Gate should always open away from pool. Gate swing can be determined by location of hinges. First, attach hinges to gate end-post (left hand/right hand swing). Then attach gate assembly to gate post. Check to make sure it is flush on top and swings freely. Finally, install latch assembly.



STEP 7

Install all caps. If necessary, use adhesive such as Liquid Nails to hold caps in place.