

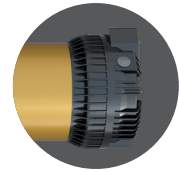
**SUPER EFFICIENT PERFORMANCE,  
SUPER AFFORDABLE PRICE**

### EXCEPTIONAL ENERGY EFFICIENCY WITH A LOW PURCHASE PRICE.

Hayward Super Pump sets the industry standard for excellence and value—and new Super Pump XE is no exception. Offering energy efficiency that outperforms Dept. of Energy standards while cutting pump equipment costs by almost a third, Super Pump XE is the just-right pump for just about any pool. With its easy installation, dual-voltage capability and durable design that's up to 30% lighter weight than competitive VS models, it's the most versatile option for unmatched value.

#### KEY FEATURES

- » **Industry-leading efficiency** exceeds DOE benchmarks and efficiency of many competitive VS pumps
- » **Easily programmable** with up to 6 selectable speeds
- » **Dual-voltage capability** (230V/115V) offers more versatility for installation
- » **Chemical-resistant Viton<sup>®</sup> seal** offers improved resistance against chemical imbalances
- » **Simple installation** with up to 2" shorter length than single-speed models and no additional equipment requirements



**Simple button programming**  
easily switches between speeds



Watch the video at [hayward.com/xe](http://hayward.com/xe)

**EXPERT LINE<sup>™</sup>**  
ONLY FROM POOL PROS



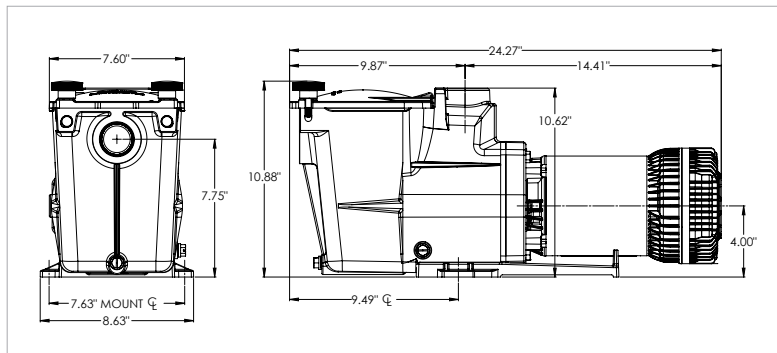
#### SPECIFICATIONS

MODEL NUMBER	TOTAL HP	SPEED RANGE	VOLTAGE	WEIGHTED ENERGY FACTOR (WEF)*	WARRANTY
SP2610X15XE	1.65	40-100%	230/115V	8.3/8.3	3 years**
SP2615X20XE	2.25	40-100%	230/115V	8.0/7.9	3 years**

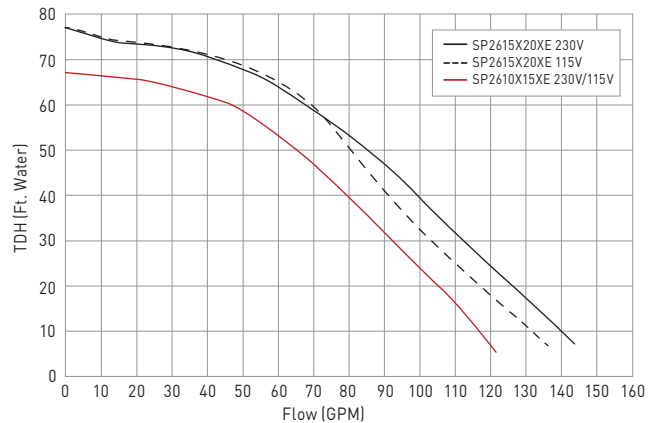
\*The higher the weighted energy factor (WEF), the more efficient the pump. Visit [hayward.com/regulations](http://hayward.com/regulations) for more information.



\*\*When sold by a Totally Hayward<sup>®</sup> Partner. Exclusions, other terms and conditions may apply—visit [hayward.com/expert](http://hayward.com/expert) for details.

#### SUPER PUMP XE DIMENSIONS (INCHES)



#### SUPER PUMP XE MAX SPEED PERFORMANCE COMPARISON



Super Pump XE pumps are listed by:  

» [hayward.com](http://hayward.com) » 1-888-HAYWARD | Pumps » Filters » Heaters » Sanitization » Automation » Lighting » Water Features » Cleaners » Safety

Hayward, Hayward & Design, the H logo, Expert Line, Super Pump and Totally Hayward are registered trademarks and We Build Better. is a trademark of Hayward Industries, Inc. ENERGY STAR is a registered mark owned by the U.S. government. All other trademarks not owned by Hayward are the property of their respective owners. Hayward is not in any way affiliated with or endorsed by those third parties. © 2021 Hayward Industries, Inc.